



US00D326256S

United States Patent [19]

[11] Patent Number: **Des. 326,256**

Lambert, II et al.

[45] Date of Patent: **** May 19, 1992**

[54] ELECTRICAL CONNECTOR HOUSING

4,938,704 7/1990 Fujiura 439/95
5,004,430 4/1991 Del Guidice et al. 439/357 X

[75] Inventors: **Lahman D. Lambert, II,**
Mechanicsburg, Pa.; **Dean A. Puerner,**
Maricopa, Ariz.

OTHER PUBLICATIONS

[73] Assignee: **AMP Incorporated,** Harrisburg, Pa.

Connectors on p. 95 of *Design News* Jan. 23, 1989.
U.S. patent application Ser. No. 07/386,536 Puerner--
drawings only.
U.S. patent application Ser. No. 07/433,412 Puerner--
drawings only.
U.S. patent application Ser. No. 07/454,259 Puerner--
drawings only.
U.S. patent application Ser. No. 07/454,553 Daly et
al--drawings only.
U.S. Pat. application Ser. No. 07/454,656 Daly et al--
drawings only.

[**] Term: **14 Years**

[21] Appl. No.: **479,543**

[22] Filed: **Feb. 9, 1990**

Related U.S. Application Data

[63] Continuation-in-part of Ser. No. 386,536, Jul. 28, 1989,
Pat. No. 4,921,442, which is a continuation-in-part of
Ser. No. 338,790, Apr. 14, 1989, abandoned, and a
continuation-in-part of Ser. No. 433,412, Nov. 7, 1989,
Pat. No. 4,944,693, which is a continuation-in-part of
Ser. No. 387,203, Jul. 28, 1989.

Primary Examiner—Susan J. Lucas
Assistant Examiner—J. Sincavage
Attorney, Agent, or Firm—Anton P. Ness

[52] U.S. Cl. **D13/147**

[58] Field of Search D13/133, 146, 147;
439/248, 345, 350, 352, 353, 358, 544, 586, 587,
595, 596, 598, 600, 682, 752

[57] CLAIM

The ornamental design for an electrical connector hous-
ing, as shown and described.

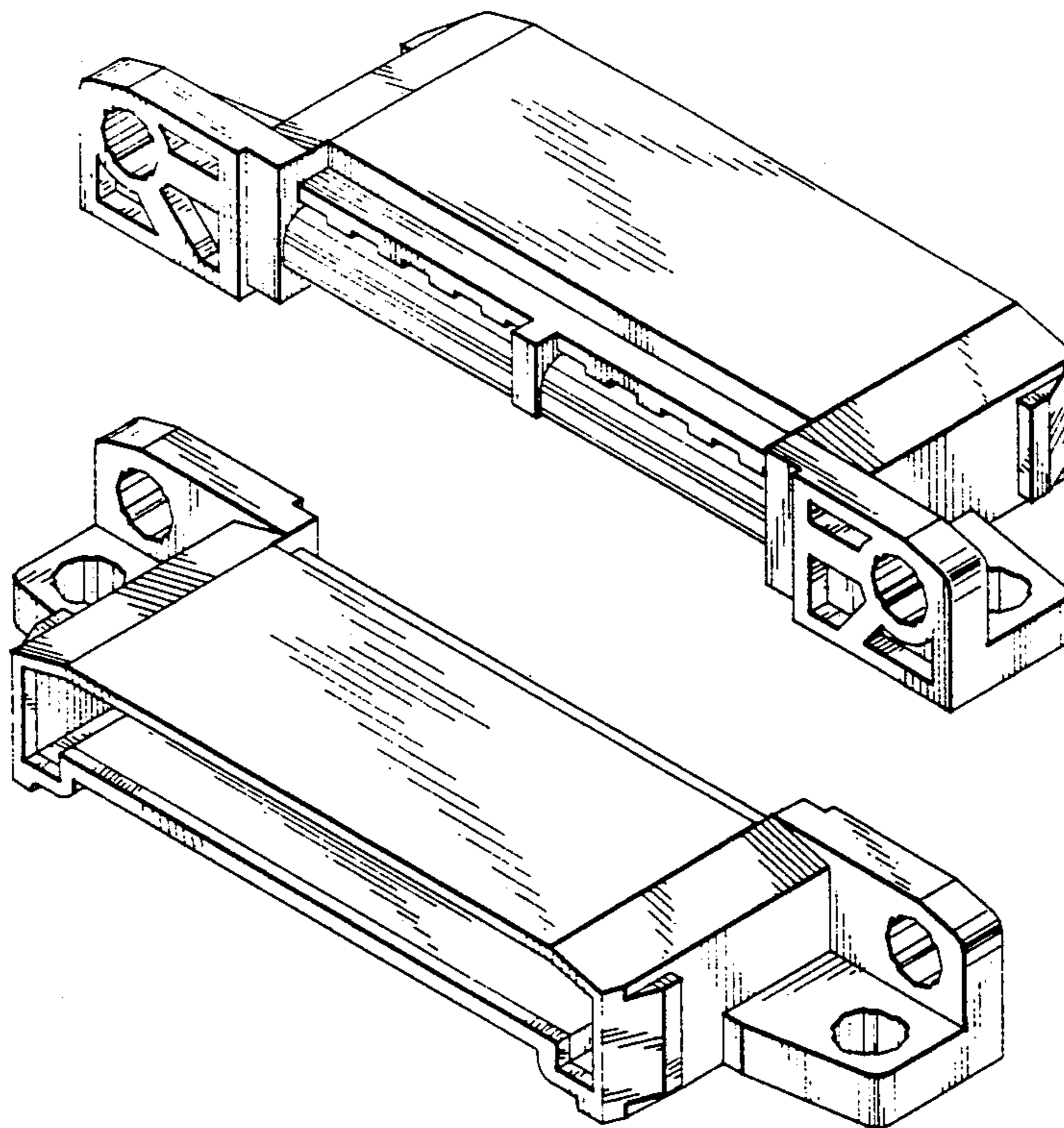
[56] References Cited

U.S. PATENT DOCUMENTS

D. 313,007	12/1990	Nakamura	D13/147
4,521,062	6/1985	Kurbikoff et al.	439/92
4,601,527	7/1986	Lemke	439/95 X
4,712,848	12/1987	Edgley	439/350 X
4,832,625	5/1989	Puerner	439/681
4,887,976	12/1989	Bennett et al.	439/492
4,900,264	2/1990	Bennett et al.	439/391
4,915,650	4/1990	Daly et al.	439/498

DESCRIPTION

FIG. 1 is a rear perspective view of the electrical con-
nector housing showing our new design;
FIG. 2 is a front perspective view thereof;
FIG. 3 is a top plan view thereof;
FIG. 4 is a front elevational view thereof;
FIG. 5 is a bottom plan view thereof;
FIG. 6 is a rear elevational view thereof; and,
FIG. 7 is a right side elevational view thereof, the left
side elevational view thereof being a mirror image.



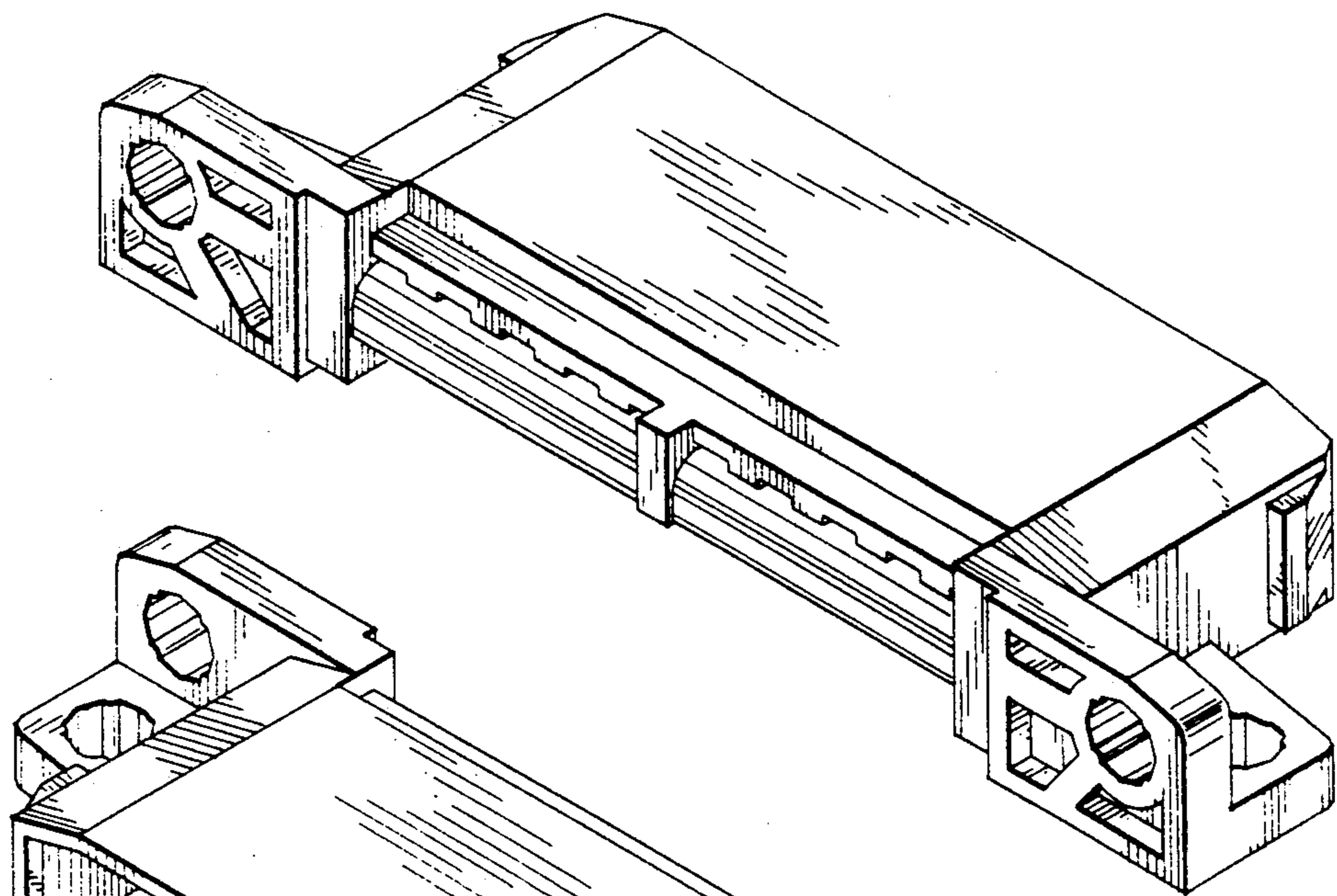


Figure 1

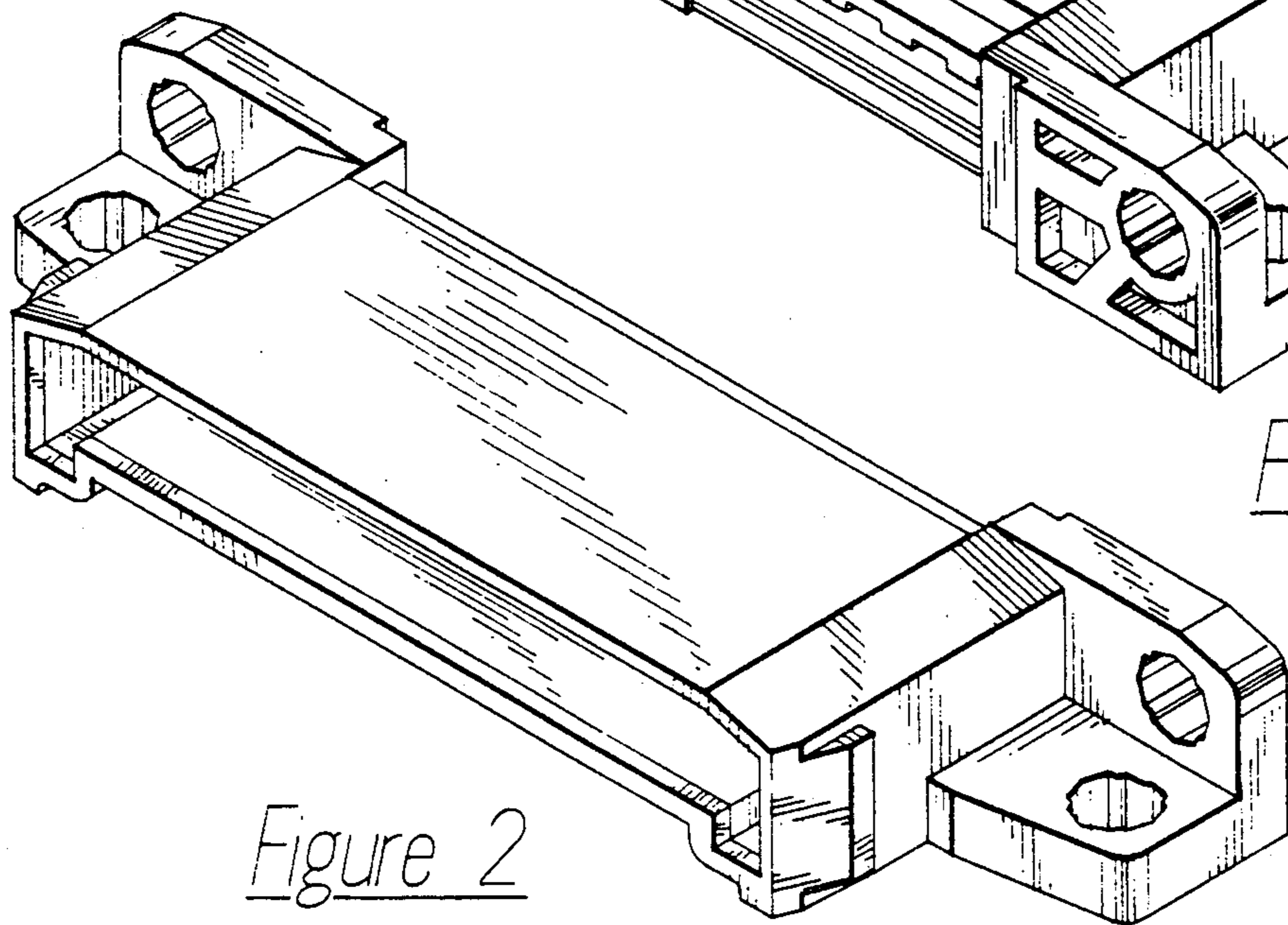


Figure 2

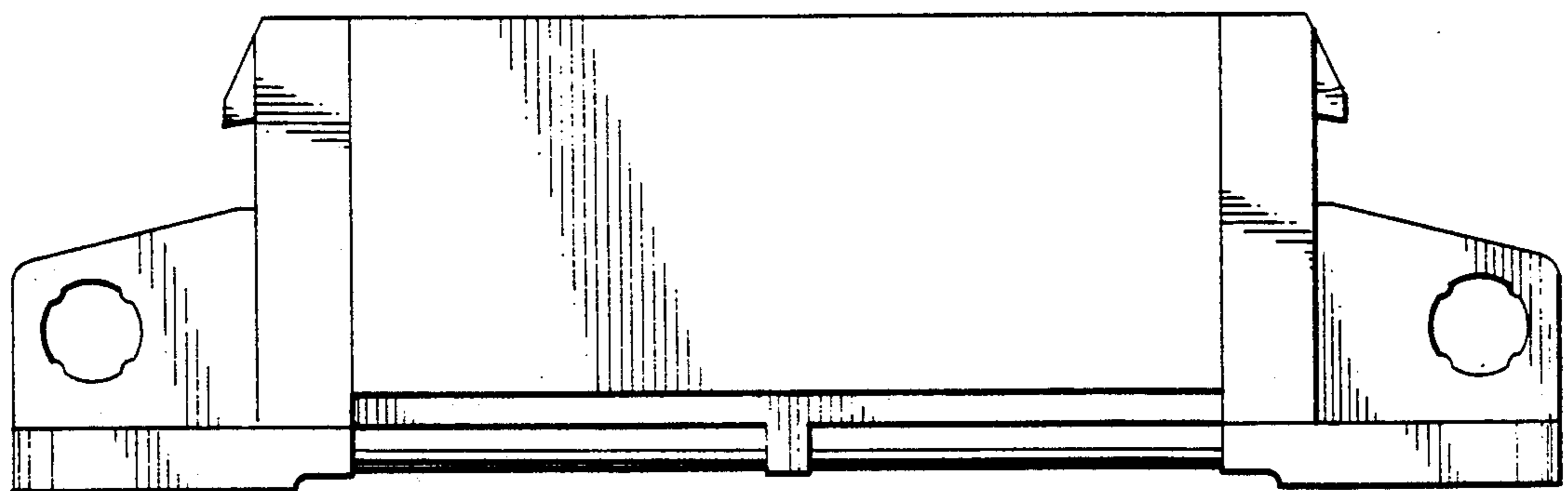


Figure 3

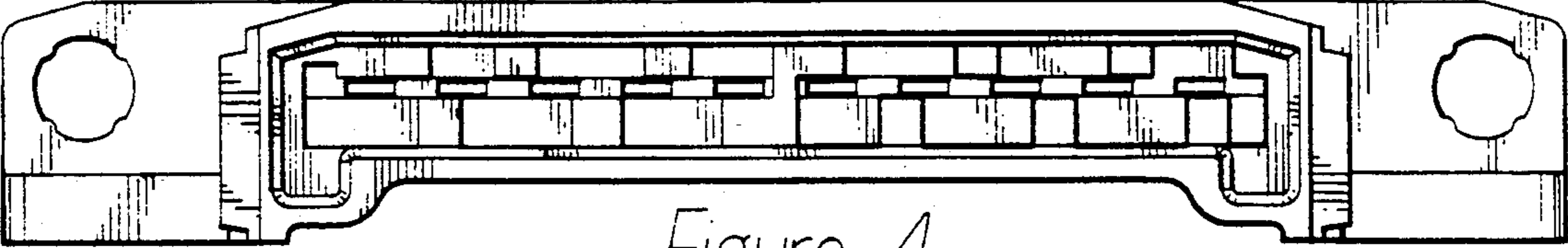


Figure 4

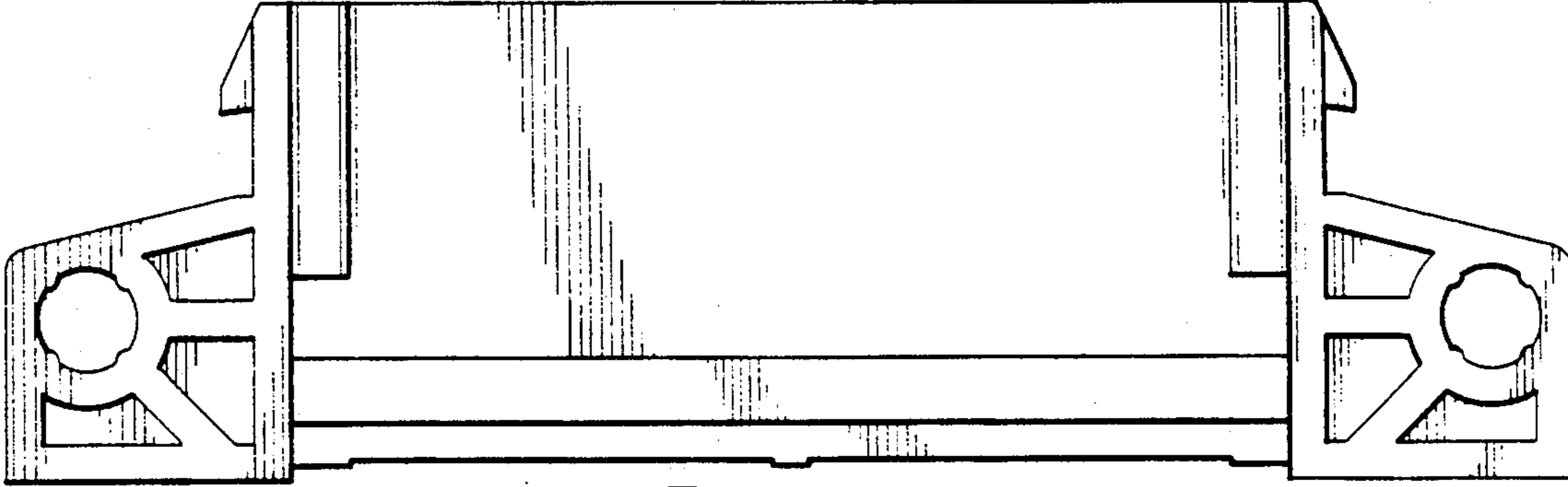


Figure 5

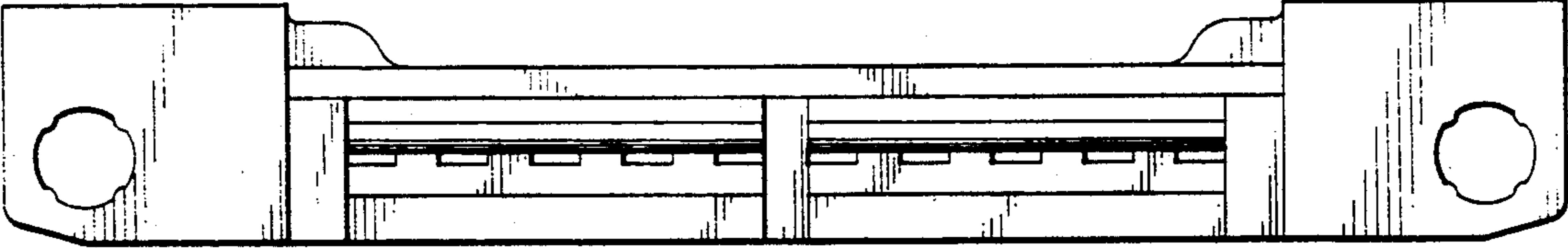


Figure 6

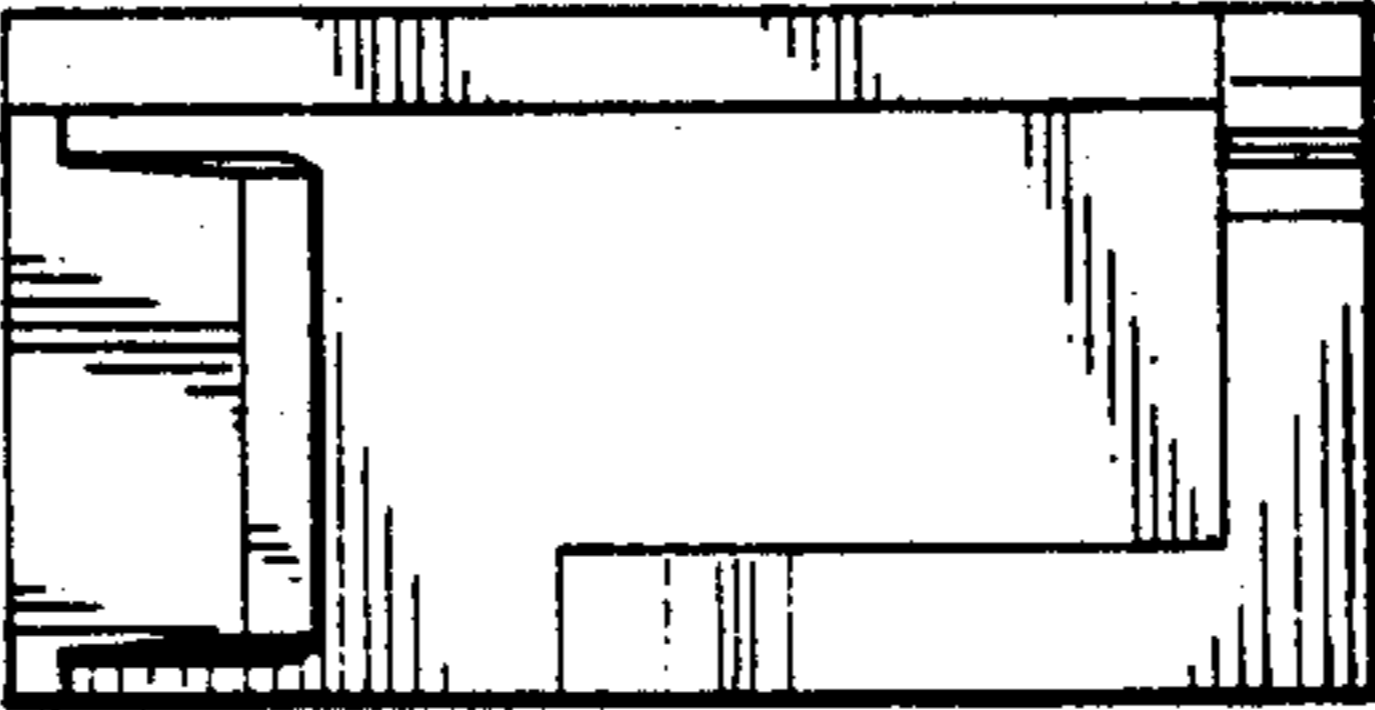


Figure 7