



US00D326254S

United States Patent [19]

[11] Patent Number: **Des. 326,254**

Ziaylek, Jr. et al.

[45] Date of Patent: **** May 19, 1992**

[54] **VEHICLE WHEEL BLOCK**

4,917,219 4/1990 Henry 188/32

[76] Inventors: **Theodore Ziaylek, Jr.**, 140 Riverview Dr.; **Michael P. Ziaylek**, 3 Brook La., both of Yardley, Pa. 19067

Primary Examiner—James M. Gandy
Assistant Examiner—Melody Brown
Attorney, Agent, or Firm—Sperry, Zoda & Kane

[**] Term: **14 Years**

[57] **CLAIM**

[21] Appl. No.: **492,177**

The ornamental design for a vehicle wheel block, as shown.

[22] Filed: **Mar. 12, 1990**

[52] U.S. Cl. **D12/217**

[58] Field of Search **D12/217; 188/32**

DESCRIPTION

[56] **References Cited**

U.S. PATENT DOCUMENTS

4,144,951	3/1979	Rea	188/32
4,781,271	11/1988	Wokeck	188/32
4,842,460	6/1989	Schlesch	188/32

FIG. 1 is a side perspective view of a vehicle wheel block showing our new design; FIG. 2 is a side elevation view thereof; FIG. 3 is a rear elevation view thereof; FIG. 4 is a front elevation view thereof; FIG. 5 is a top plan view thereof; and, FIG. 6 is a bottom plan view thereof.

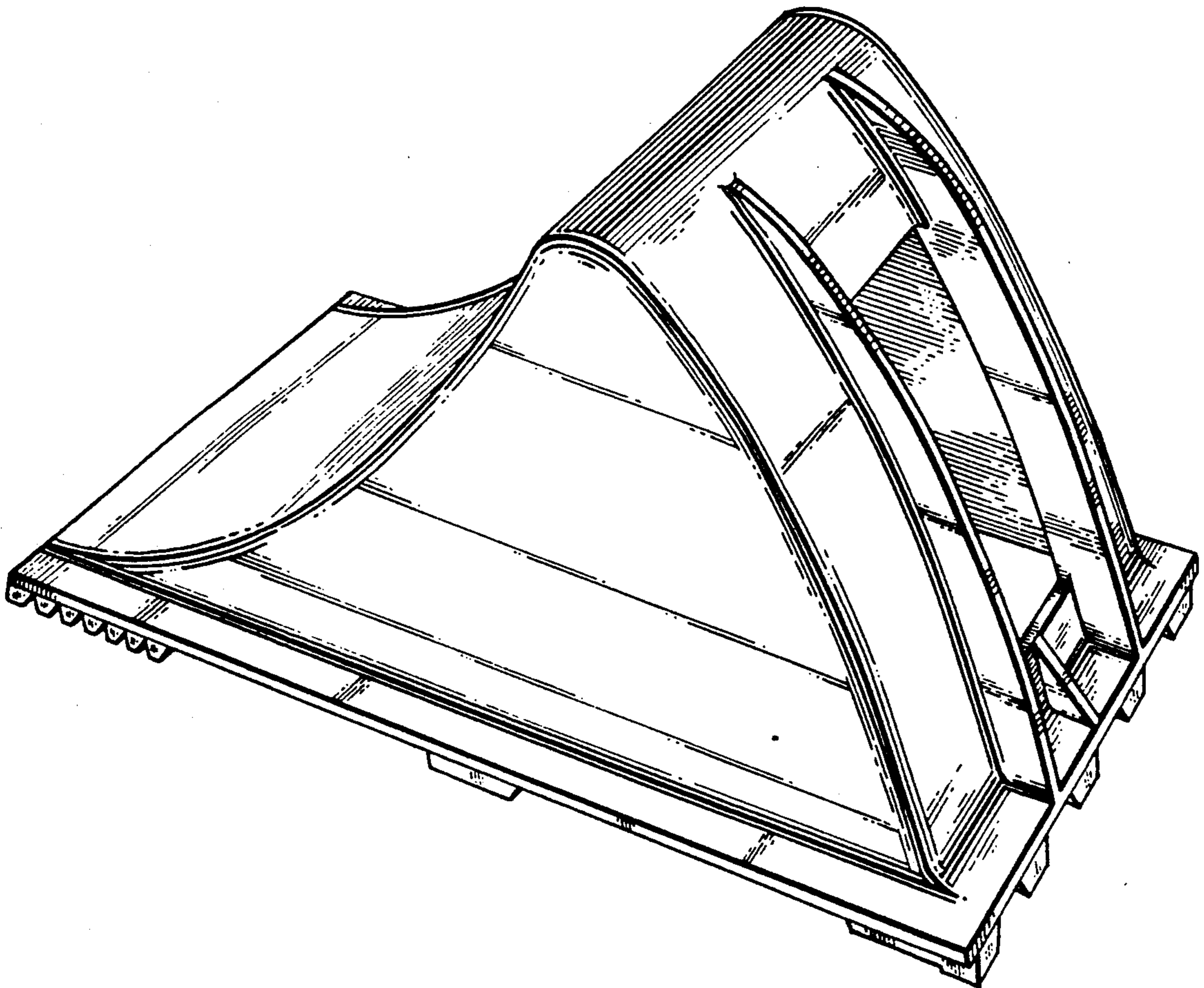


FIG. 1

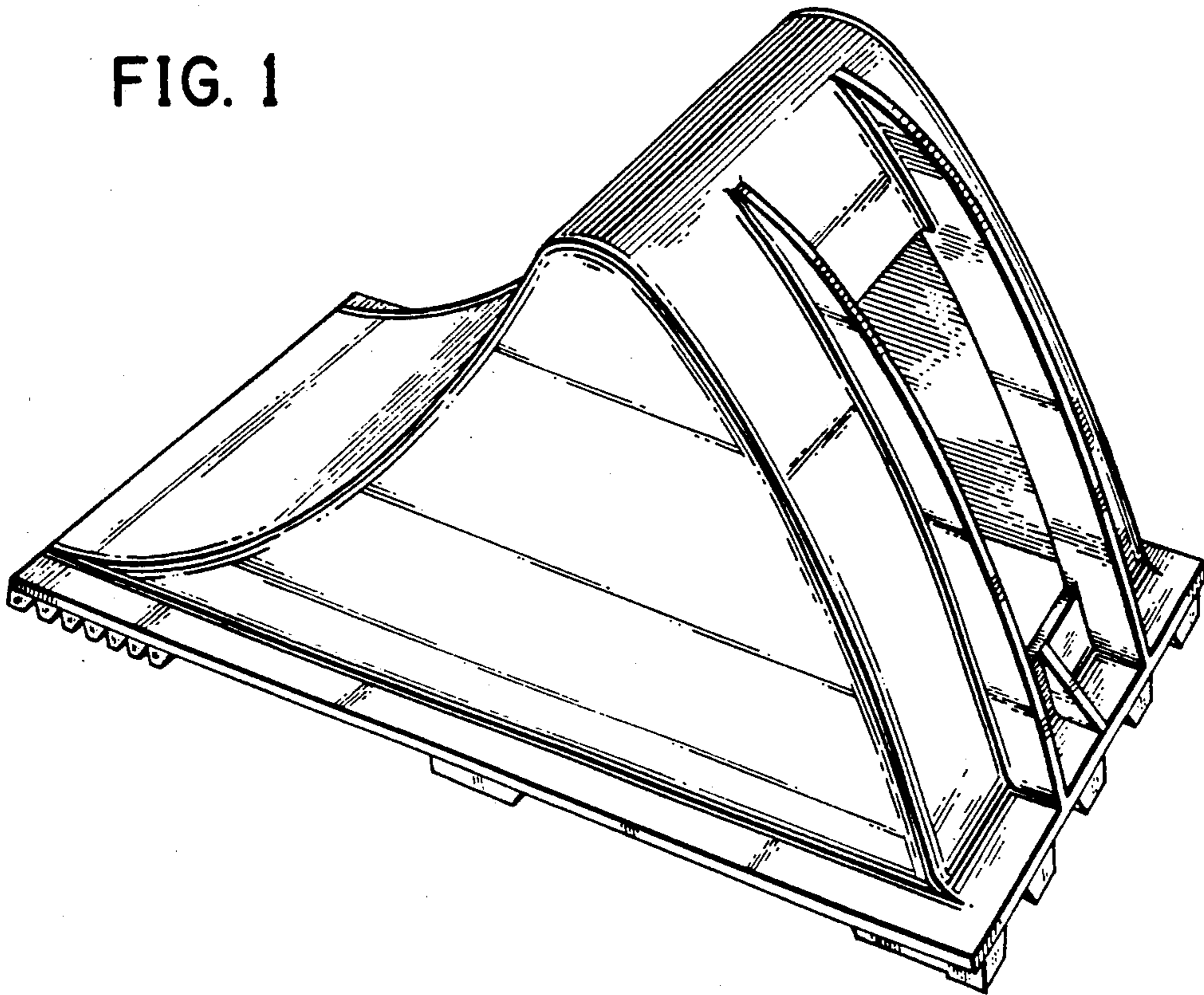


FIG. 2

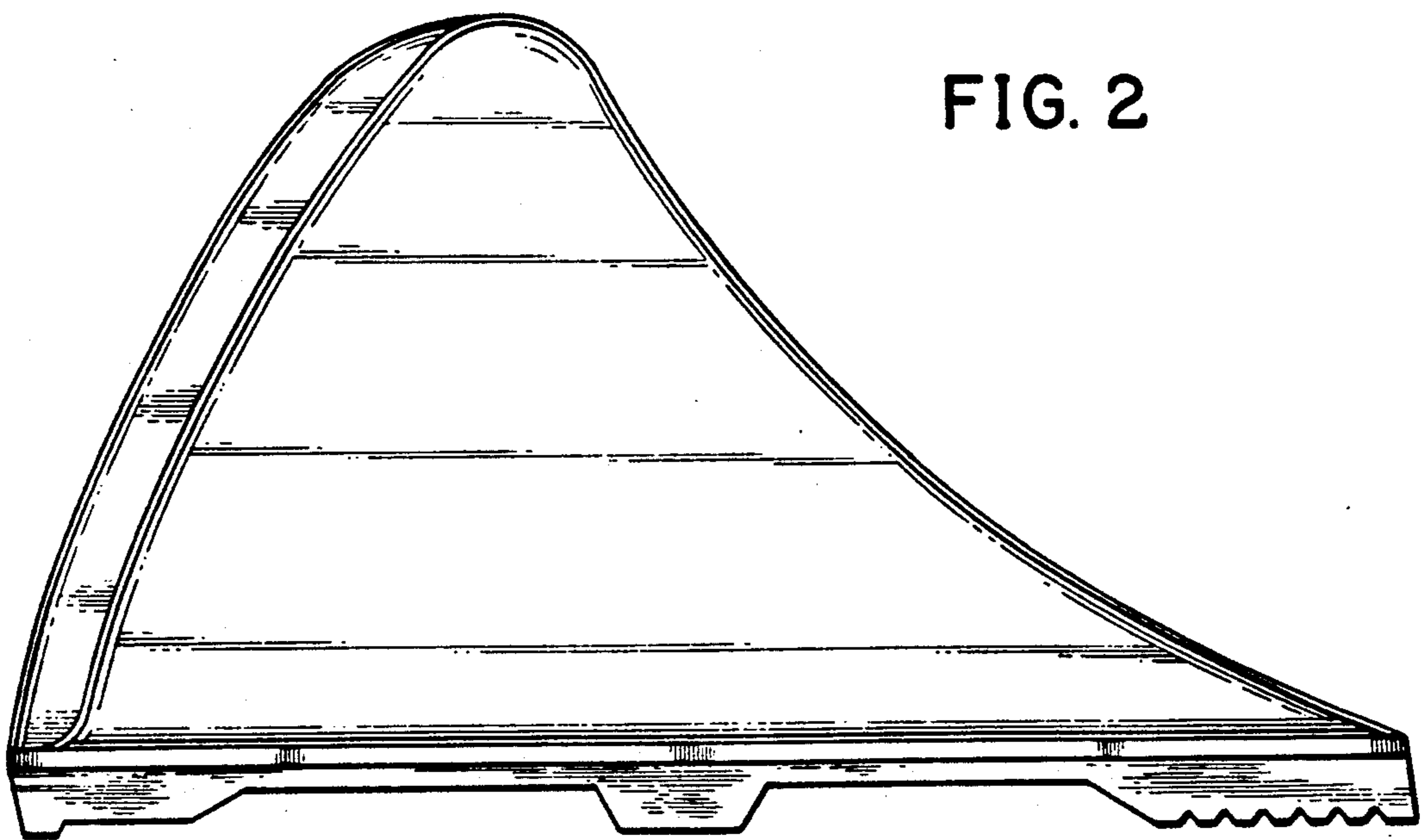


FIG. 3

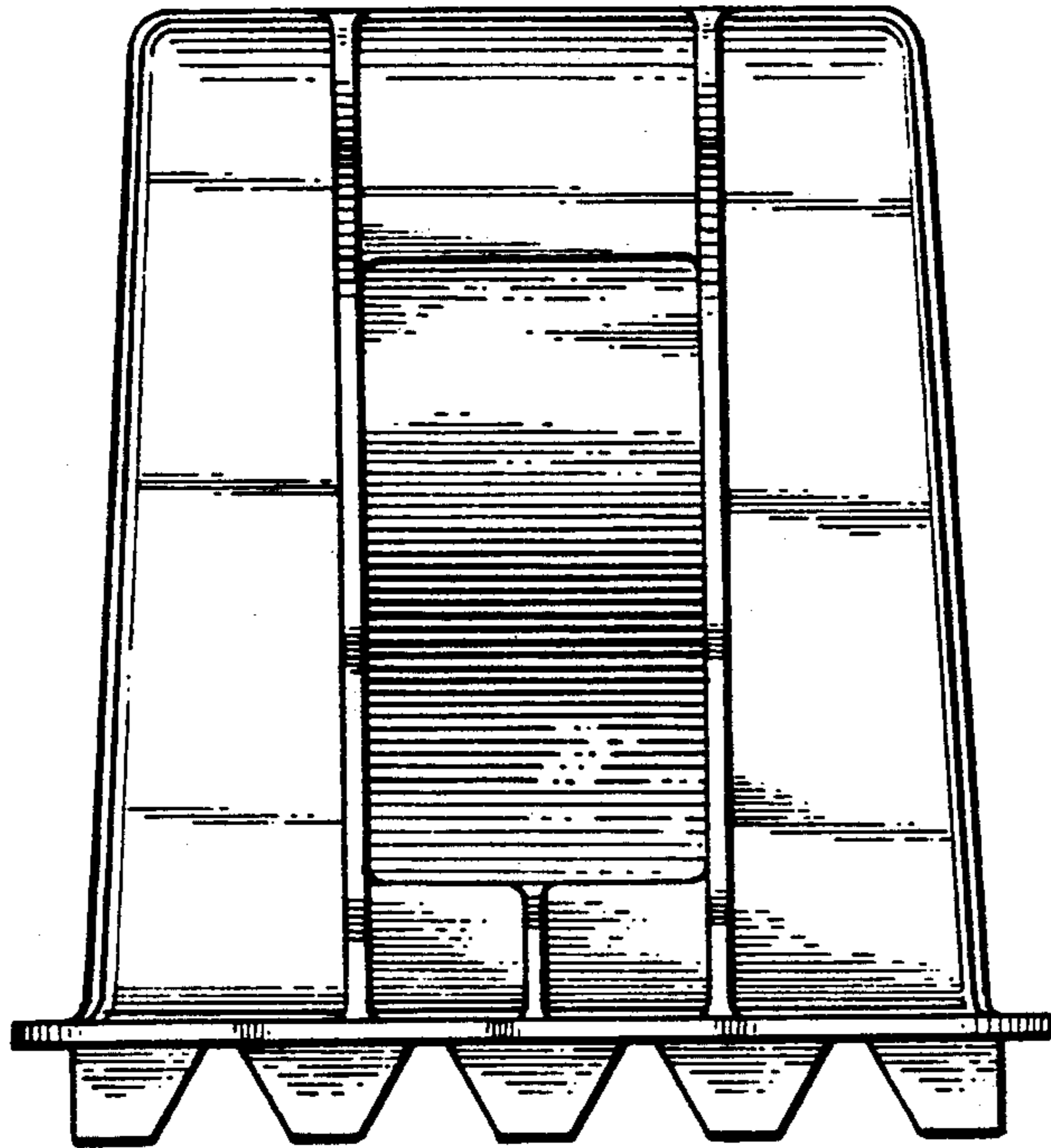


FIG. 4

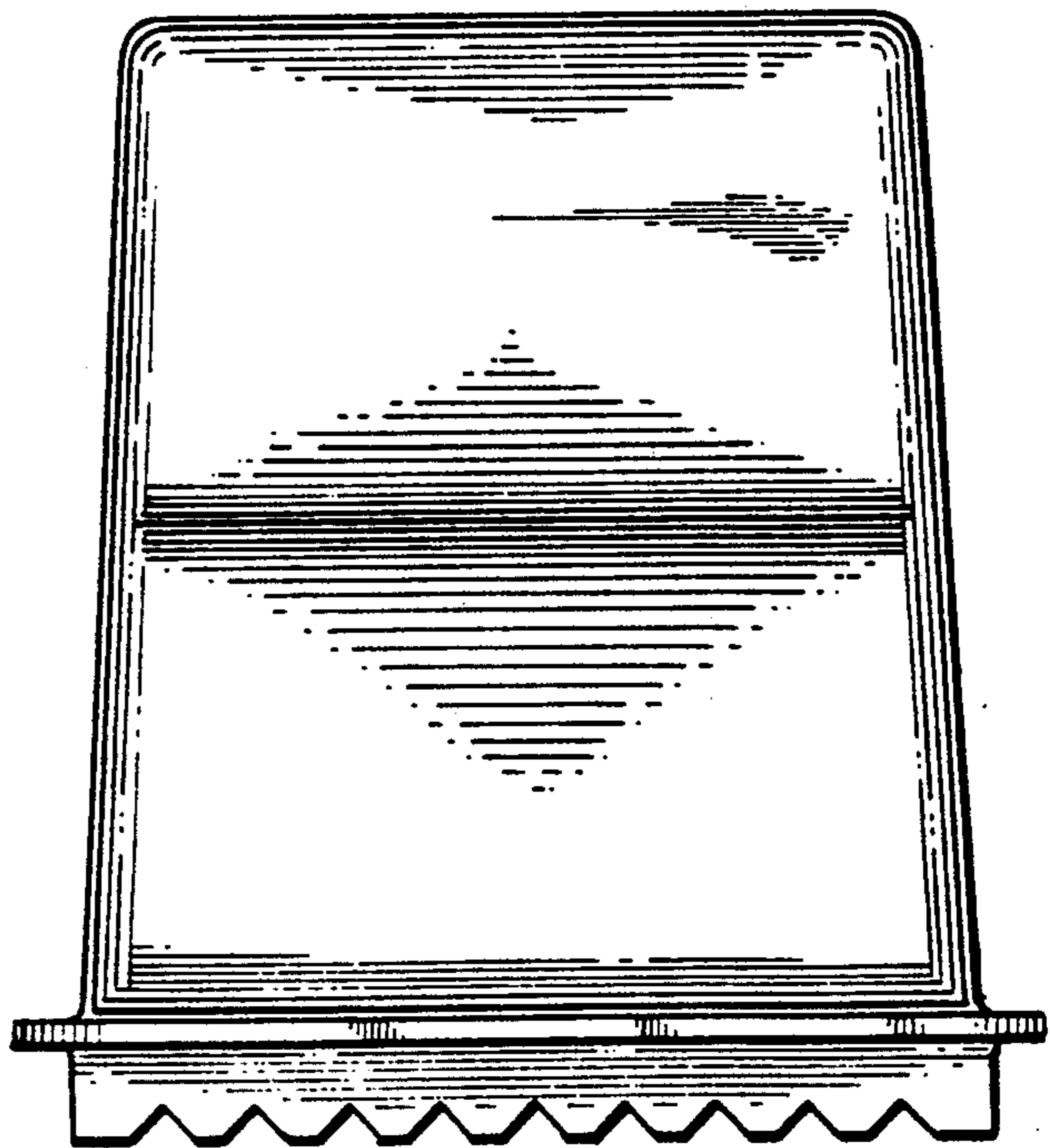


FIG. 5

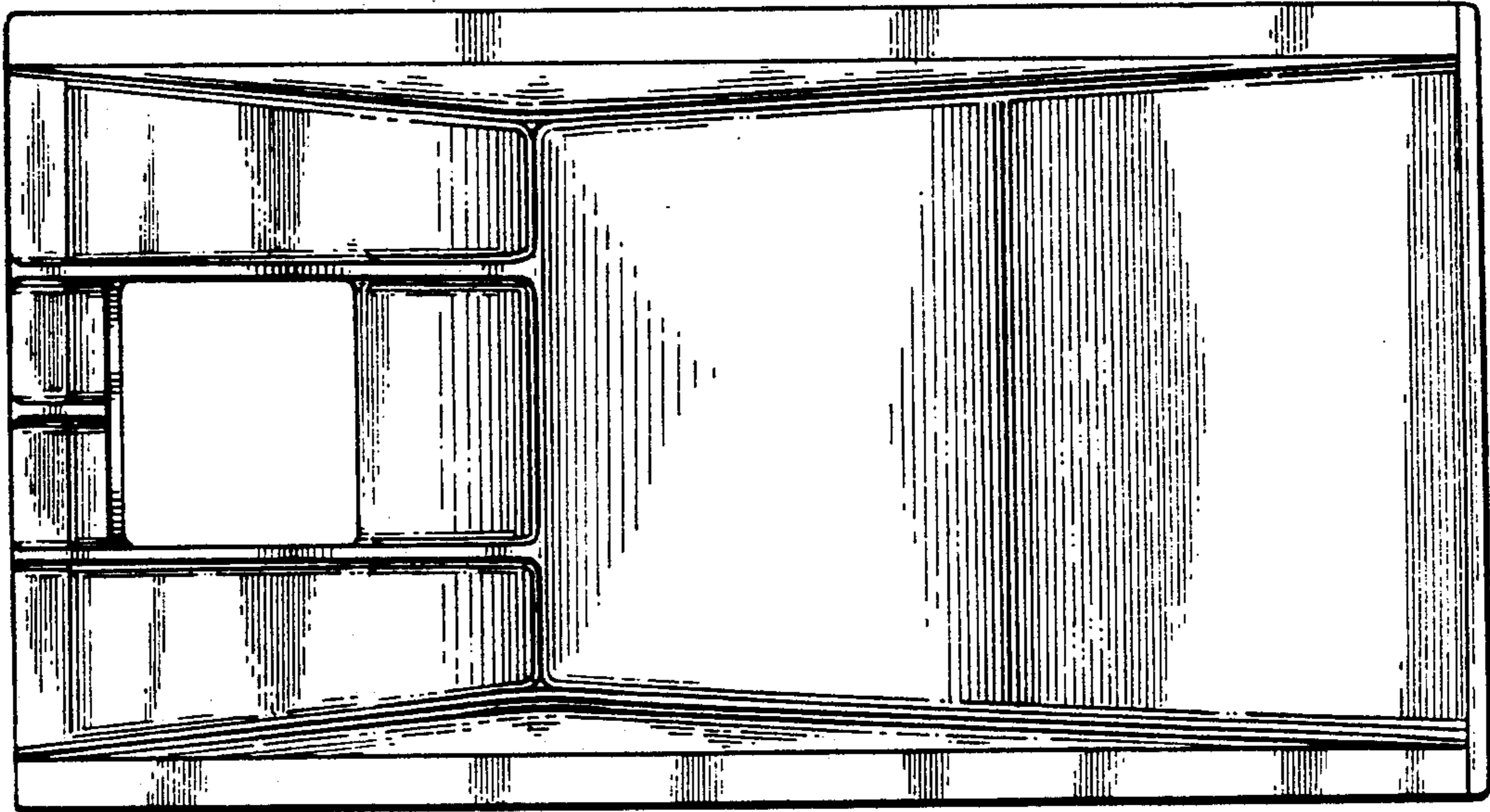


FIG. 6

