



US00D326252S

# United States Patent [19]

[11] Patent Number: **Des. 326,252**

**Slagh**

[45] Date of Patent: **\*\* May 19, 1992**

- [54] TIRE
- [75] Inventor: **Douglas J. Slagh, Greer, S.C.**
- [73] Assignee: **Michelin Recherche et Technique, Switzerland**
- [\*\*] Term: **14 Years**
- [21] Appl. No.: **480,521**
- [22] Filed: **Feb. 15, 1990**
- [52] U.S. Cl. .... **D12/147**
- [58] Field of Search ..... **D12/141-143, D12/145-148; 152/209 R, 209 B, 209 D**

Tread Design Guide 1989, p. 39, BF Goodrich Touring TA.

Tread Design Guide 1989, p. 78, Vredestein Sprint + T80.

Tread Design Guide 1989, p. 33, ESCORT SLX 5000.

*Primary Examiner*—James M. Gandy  
*Attorney, Agent, or Firm*—Finnegan, Henderson, Farabow, Garrett & Dunner

## [57] CLAIM

The ornamental design for a tire, as shown and described.

## DESCRIPTION

FIG. 1 is a perspective view of a tire showing my new design, it being understood that the tread pattern is repeated throughout the circumference of the tire, as shown schematically by solid lines, the opposite side being substantially the same as that illustrated;

FIG. 2 is an enlarged fragmentary plan view thereof;

FIG. 3 is a perspective view of a tire showing a second embodiment of my new design, it being understood that the tread pattern is repeated throughout the circumference of the tire, as shown schematically by solid lines, the opposite side being substantially the same as that illustrated;

FIG. 4 is an enlarged fragmentary plan view of FIG. 3; FIG. 5 is a perspective view of a tire showing a third embodiment of my new design, it being understood that the tread pattern is repeated throughout the circumference of the tire, as shown schematically by solid lines, the opposite side being substantially the same as that illustrated; and,

FIG. 6 is an enlarged fragmentary plan view of FIG. 5.

## [56] References Cited

### U.S. PATENT DOCUMENTS

D. 288,307	2/1987	Ono	.....	D12/146
D. 291,792	9/1987	Clemens	.....	D12/147
D. 294,929	3/1988	Clemens	.....	D12/147
D. 299,712	2/1989	Slagh	.....	D12/147
D. 303,945	10/1989	Tsuda et al.	.....	D12/147

### OTHER PUBLICATIONS

1989 Tread Design Guide, p. 13, Armstrong Sport Radial Tire, third row down from top, right side of page.

1989 Tread Design Guide, p. 17, Bridgestone RCOT SF-475 tire, top center of page.

Tread Design Guide 1989, p. 50, Michelin Sport EPC Plus.

Tread Design Guide 1989, p. 23, Cooper Lifeliner Classic.

Tread Design Guide 1989, p. 33, EMPCO UltraX Radial GTH.

Tread Design Guide 1989, p. 37, General XP 2000.

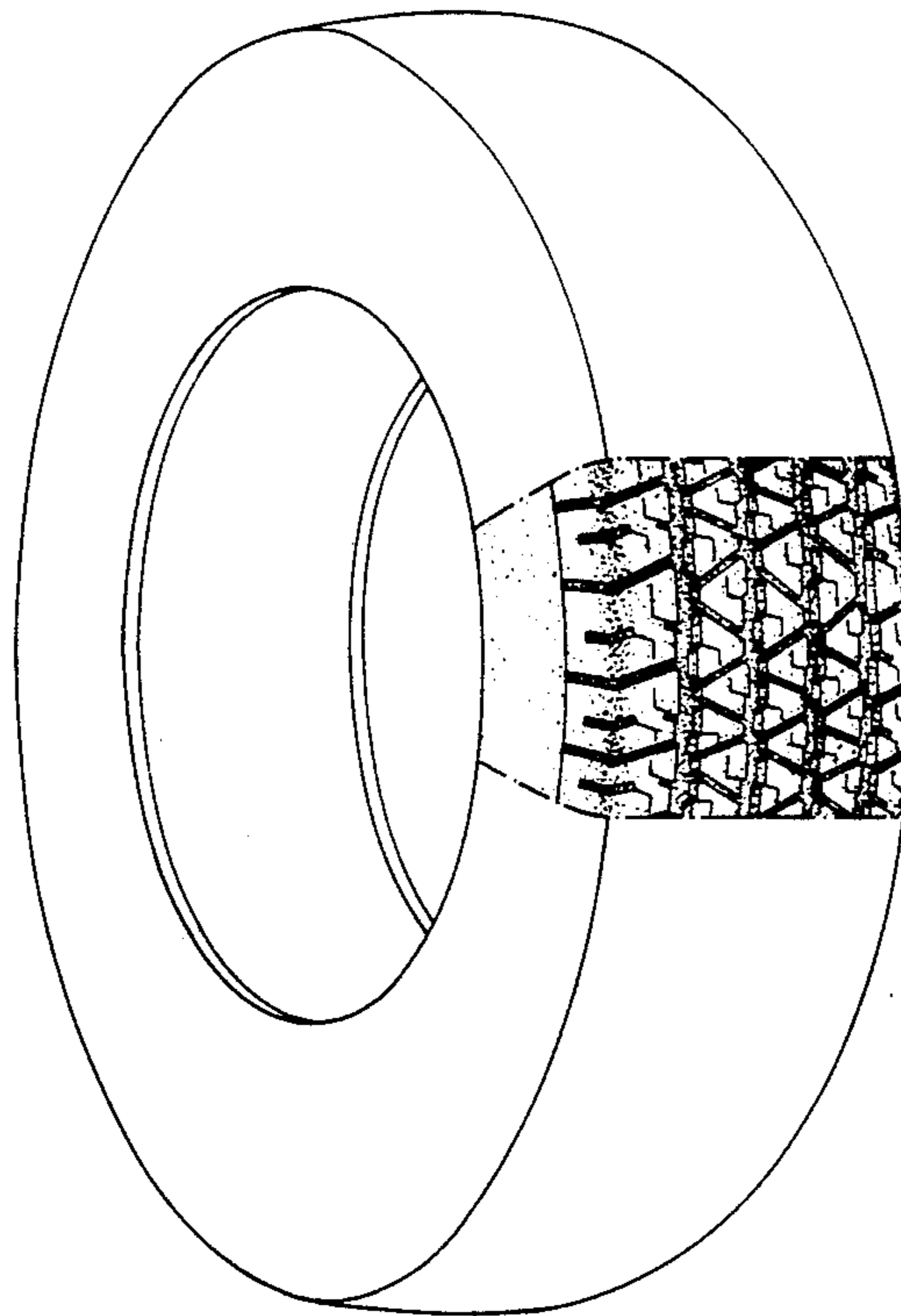


FIG. 1

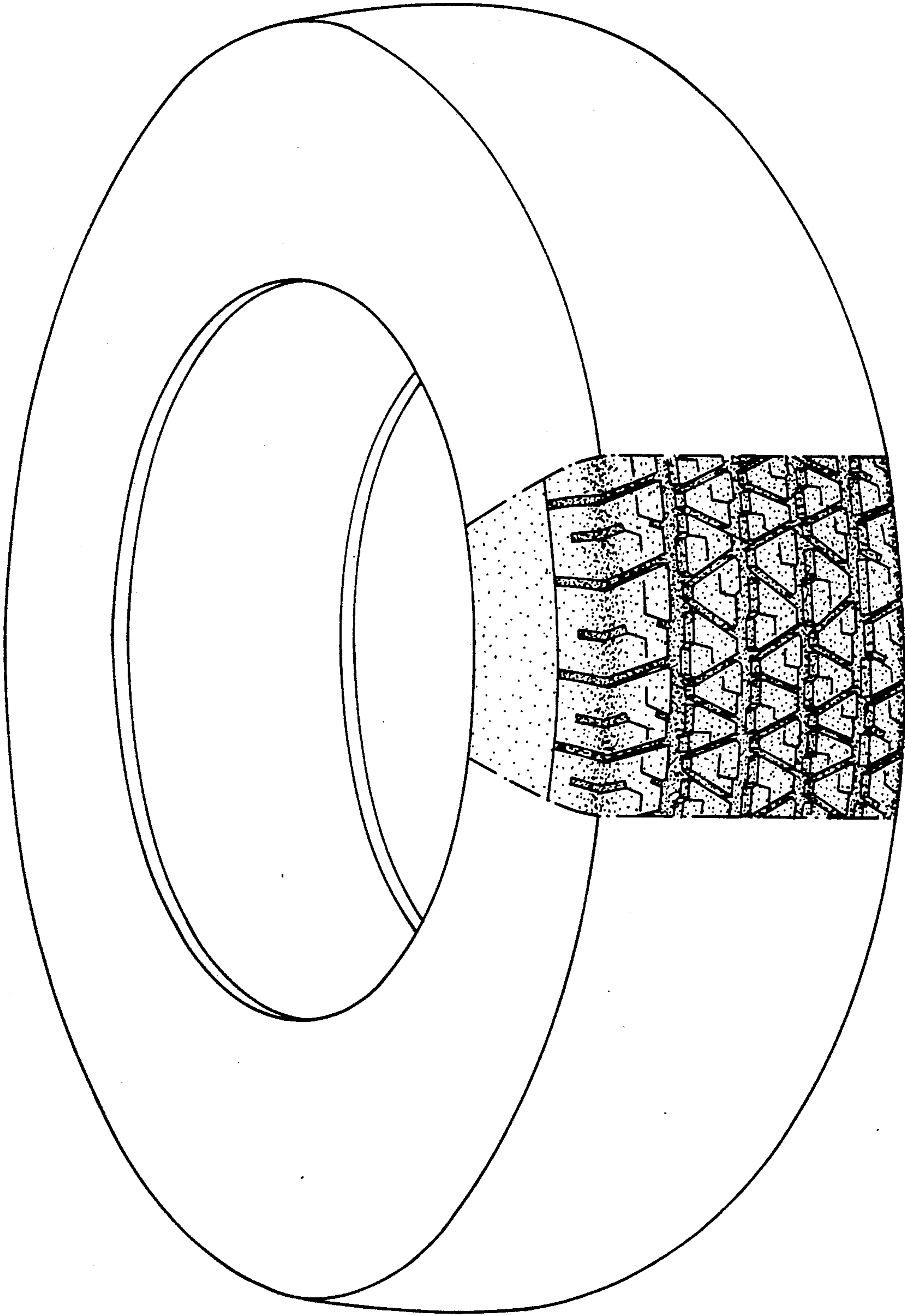


FIG. 2

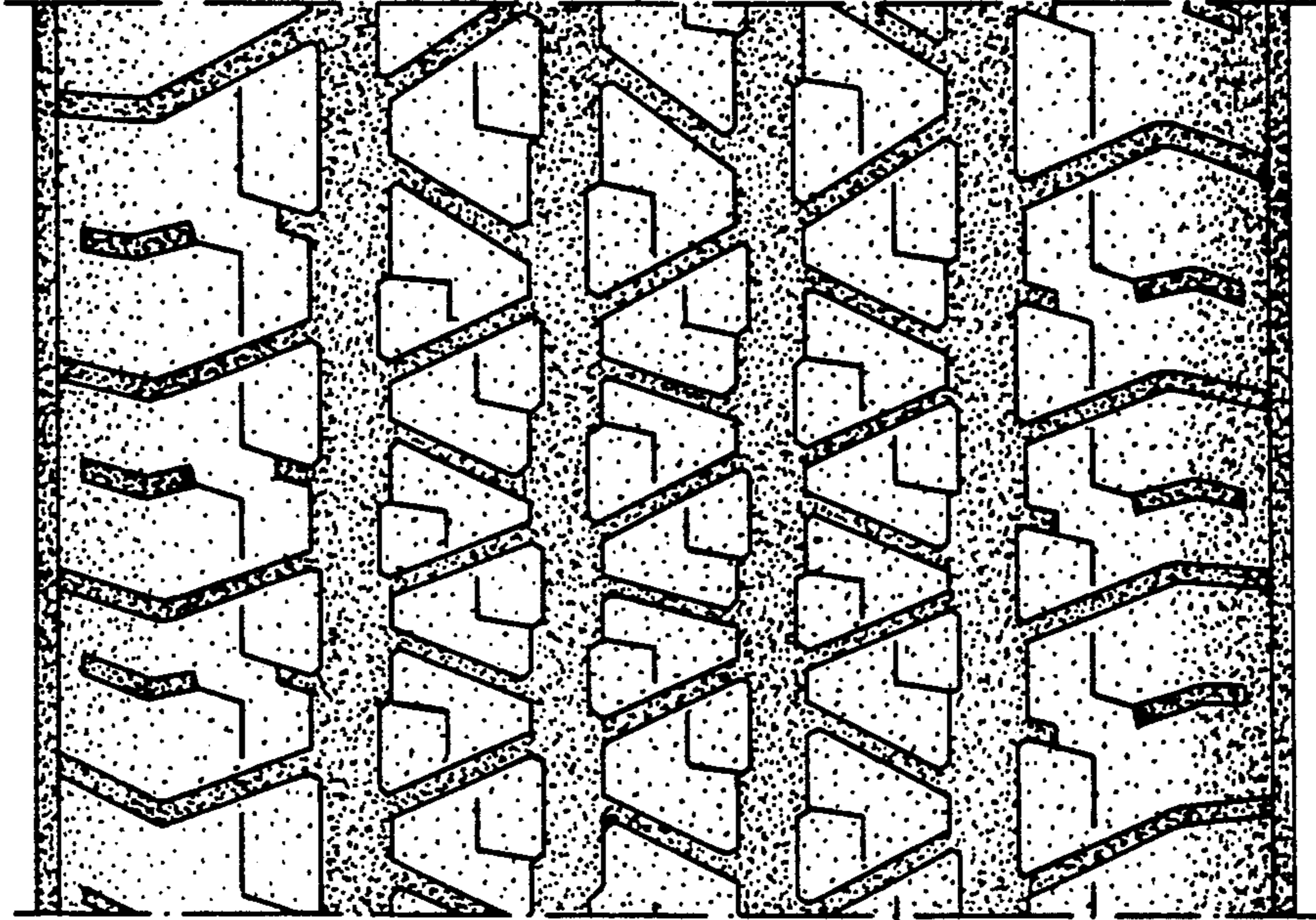


FIG. 4

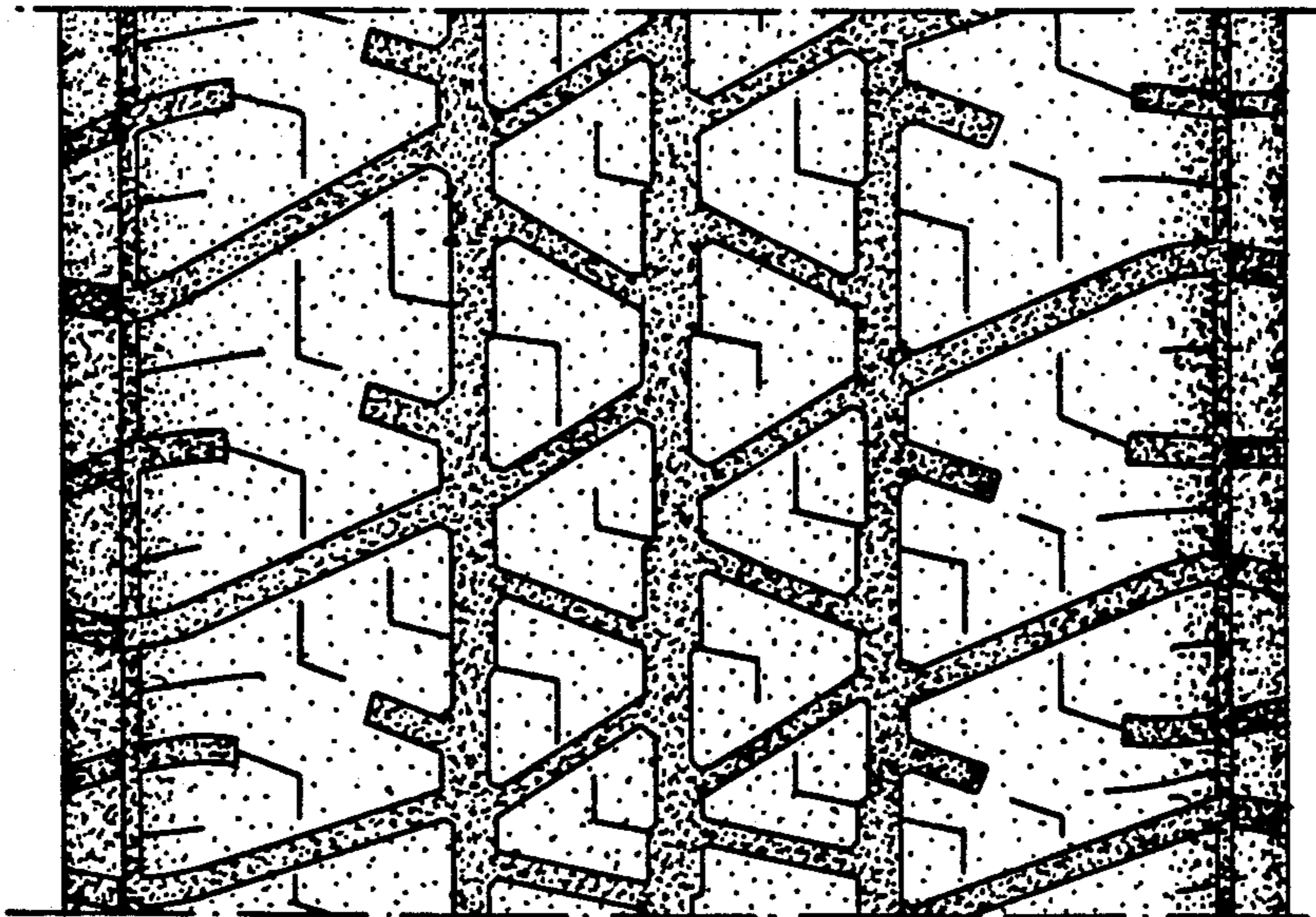


FIG. 3

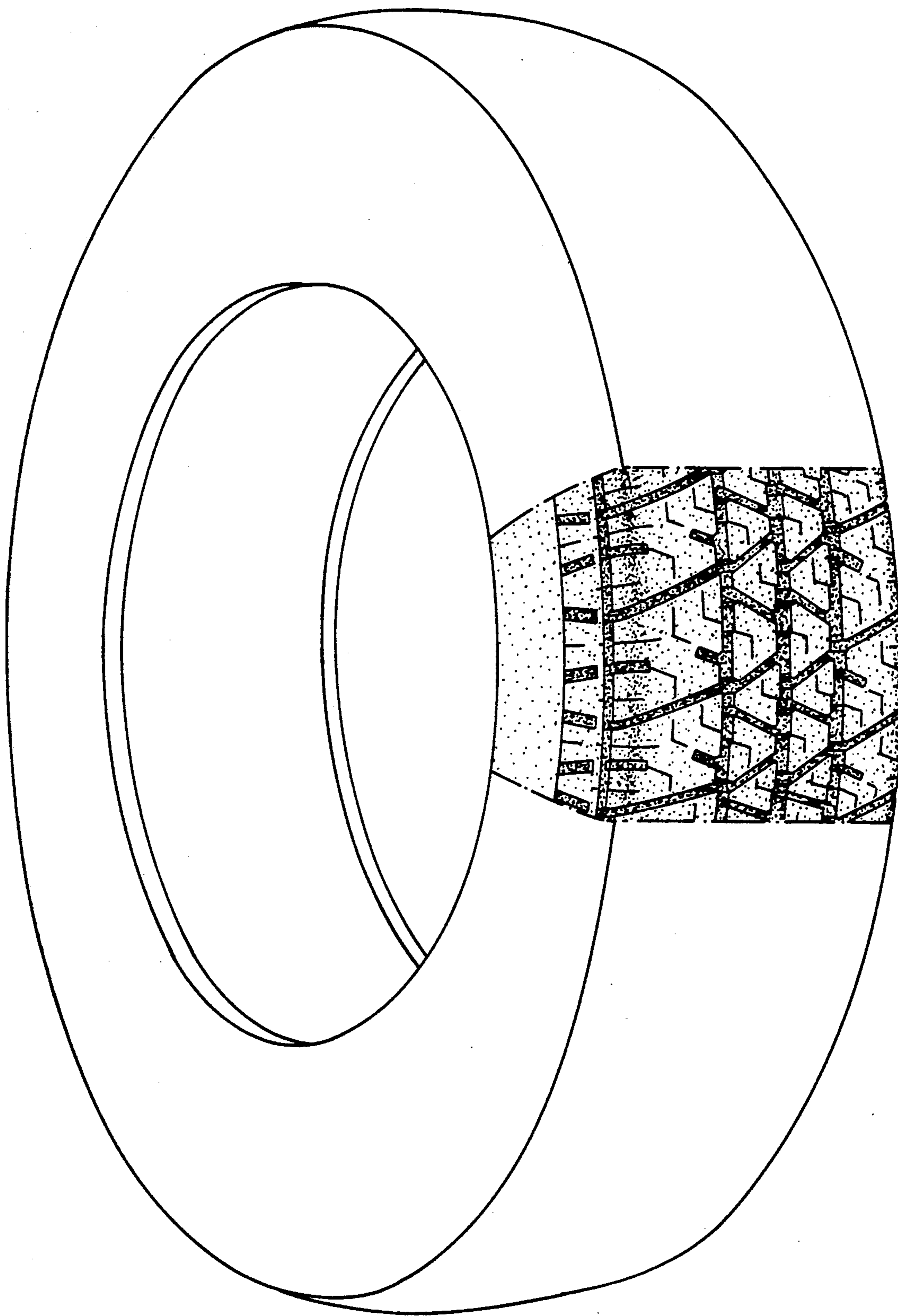


FIG. 5

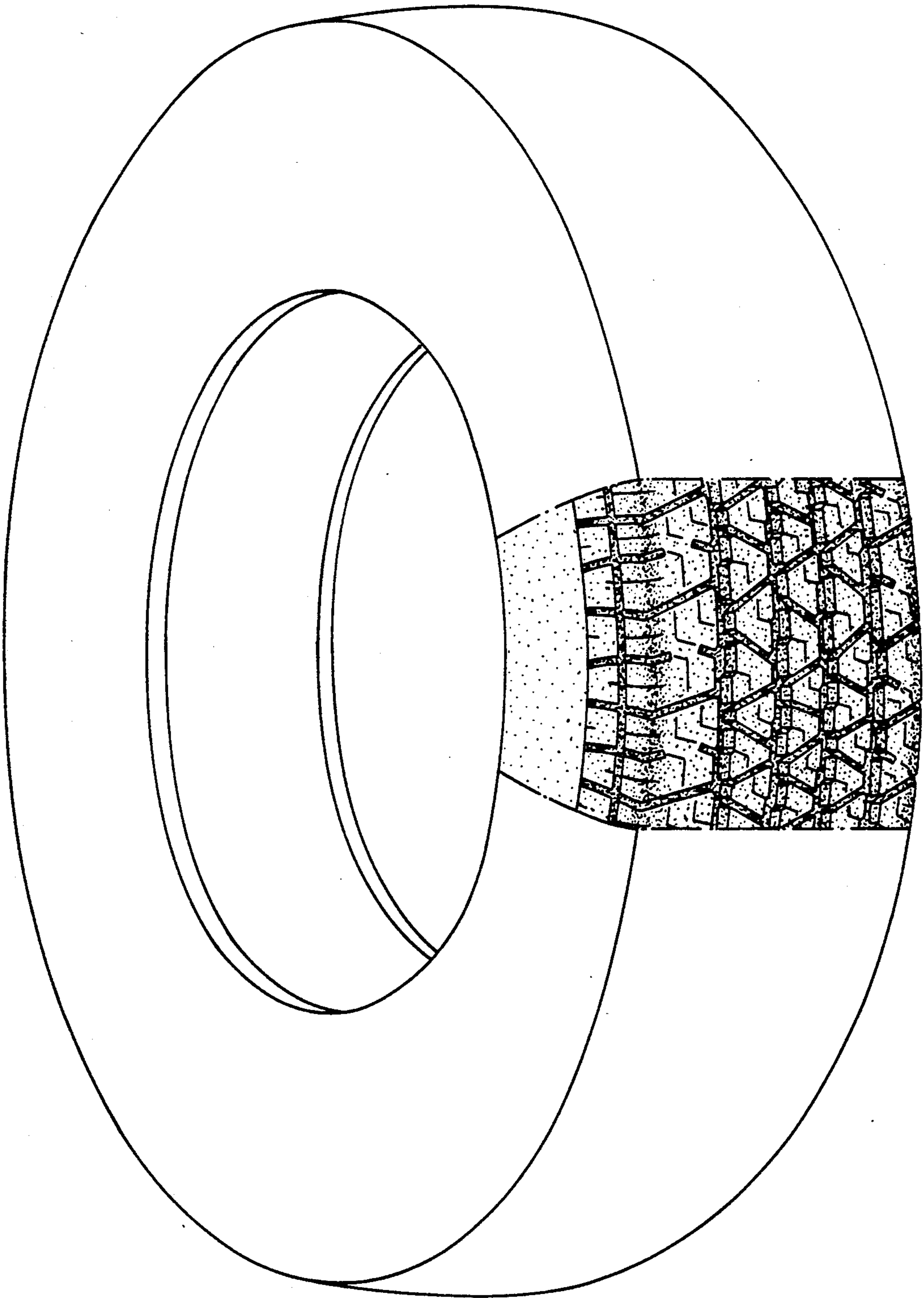


FIG. 6

