



US00D326250S

# United States Patent [19]

[11] Patent Number: **Des. 326,250**

**Oliver**

[45] Date of Patent: **\*\* May 19, 1992**

[54] **COMBINED WHEELCHAIR AND WALKER**

|           |         |         |       |          |
|-----------|---------|---------|-------|----------|
| 4,623,163 | 11/1986 | Potts   | ..... | 280/649  |
| 4,802,542 | 2/1989  | Houston | ..... | 180/65.5 |
| 4,899,804 | 3/1989  | Houston | ..... | 180/65.5 |

[76] Inventor: **Beverley J. Oliver, 2451 Cherry Ave., Steubenville, Ohio 43952**

*Primary Examiner—Kay H. Chin  
Attorney, Agent, or Firm—Terry M. Gernstein*

[\*\*] Term: **14 Years**

[21] Appl. No.: **553,686**

[57] **CLAIM**

[22] Filed: **Jul. 18, 1990**

The ornamental design for a combined wheelchair and walker, as shown and described.

[52] U.S. Cl. .... **D12/130; D12/131**

[58] Field of Search ..... **D12/131, 128, 130; 280/649, 650, 647, 642, 250.1; 297/5; 272/70.3, 70**

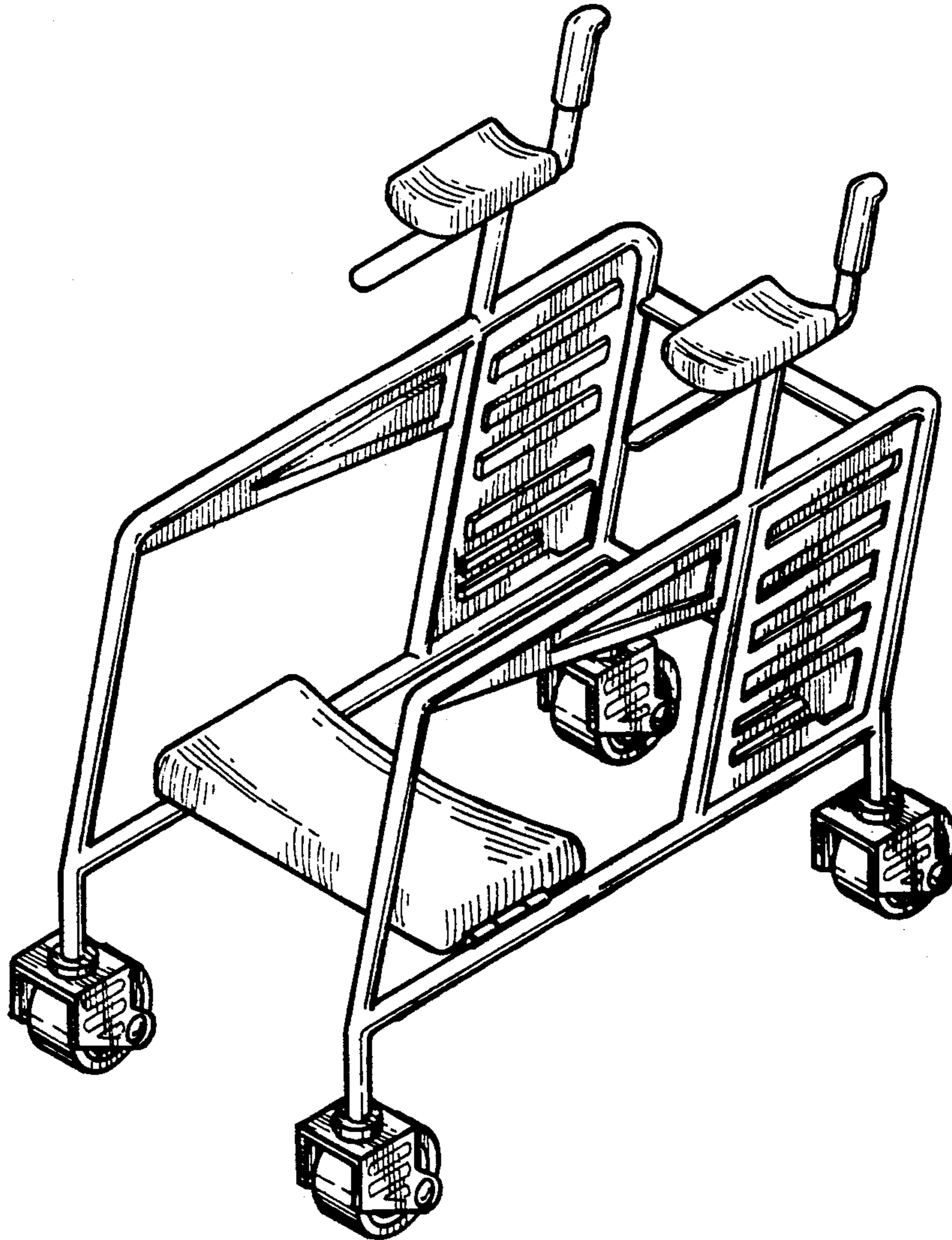
**DESCRIPTION**

FIG. 1 is a front and top perspective view of a combined wheelchair and walker showing my new design; FIG. 2 is a front elevational view thereof; FIG. 3 is a rear elevational view thereof; FIG. 4 is a right side elevational view thereof; FIG. 5 is a left side elevational view thereof; FIG. 6 is a top plan view thereof; and, FIG. 7 is a bottom plan view thereof.

[56] **References Cited**

**U.S. PATENT DOCUMENTS**

|            |         |         |       |          |
|------------|---------|---------|-------|----------|
| D. 292,076 | 9/1987  | Peters  | ..... | D12/130  |
| D. 297,524 | 9/1988  | Pope    | ..... | D12/128  |
| 4,046,374  | 9/1977  | Breyley | ..... | 272/70.3 |
| 4,621,804  | 11/1986 | Mueller | ..... | 272/70.3 |



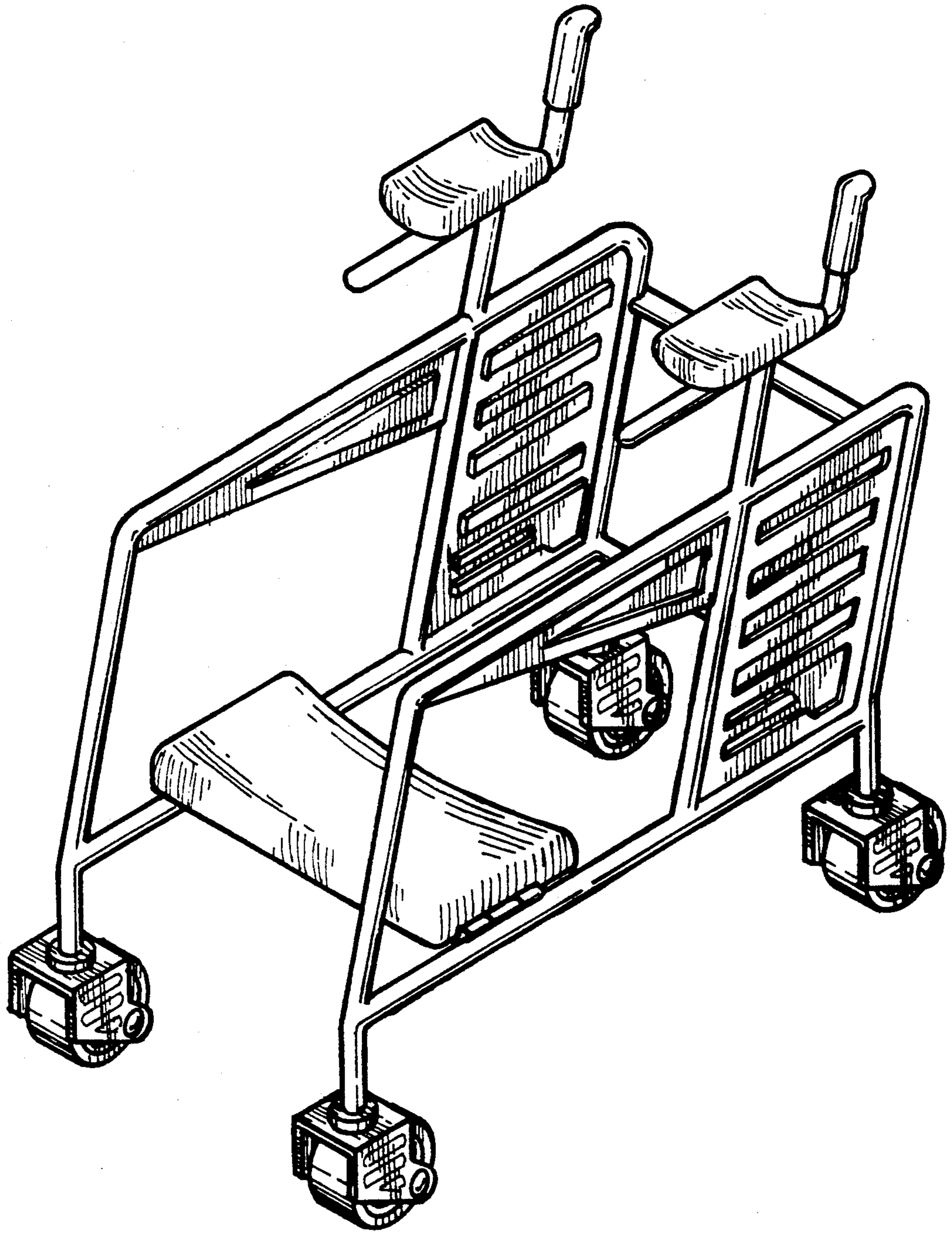


FIG. 1

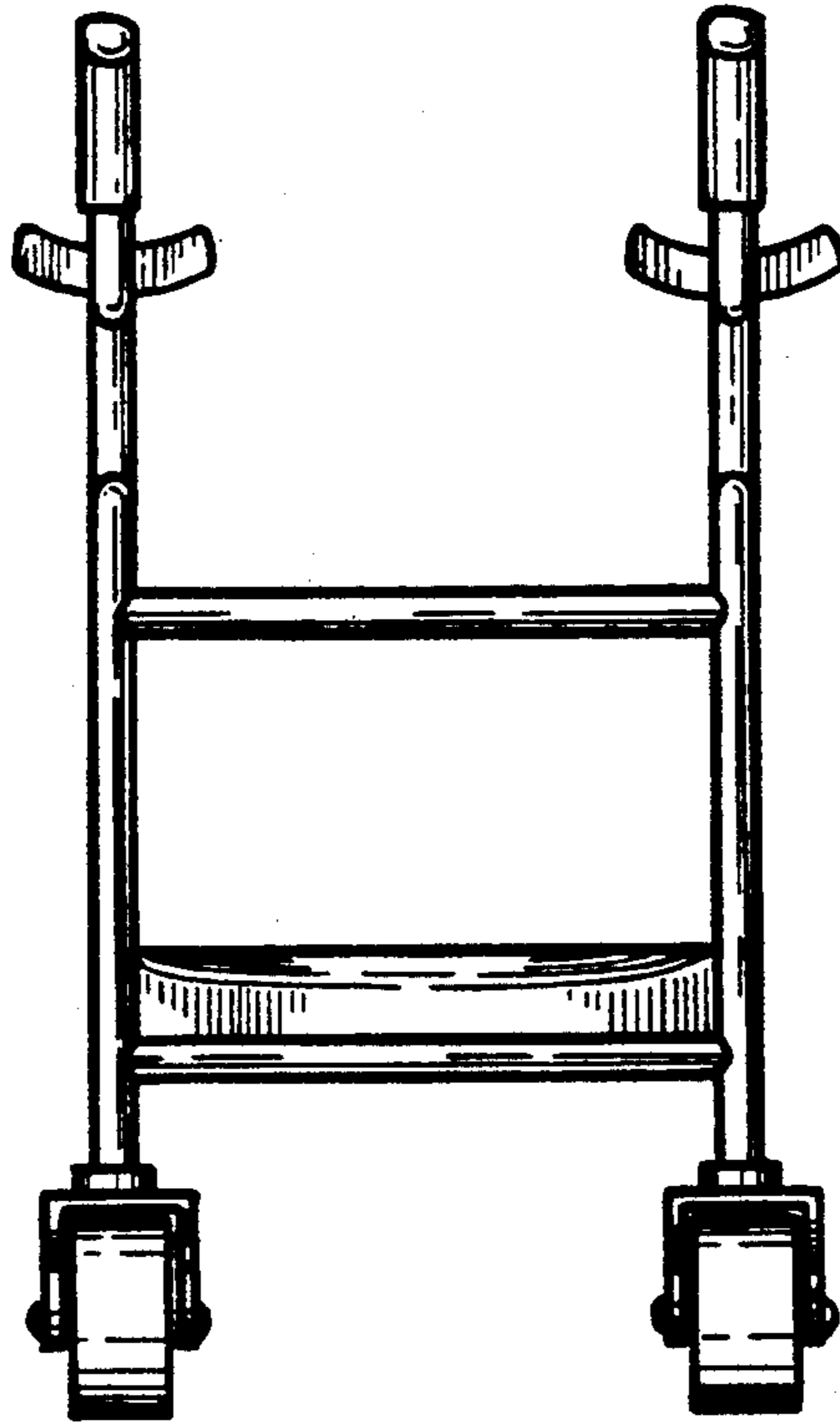


FIG. 2

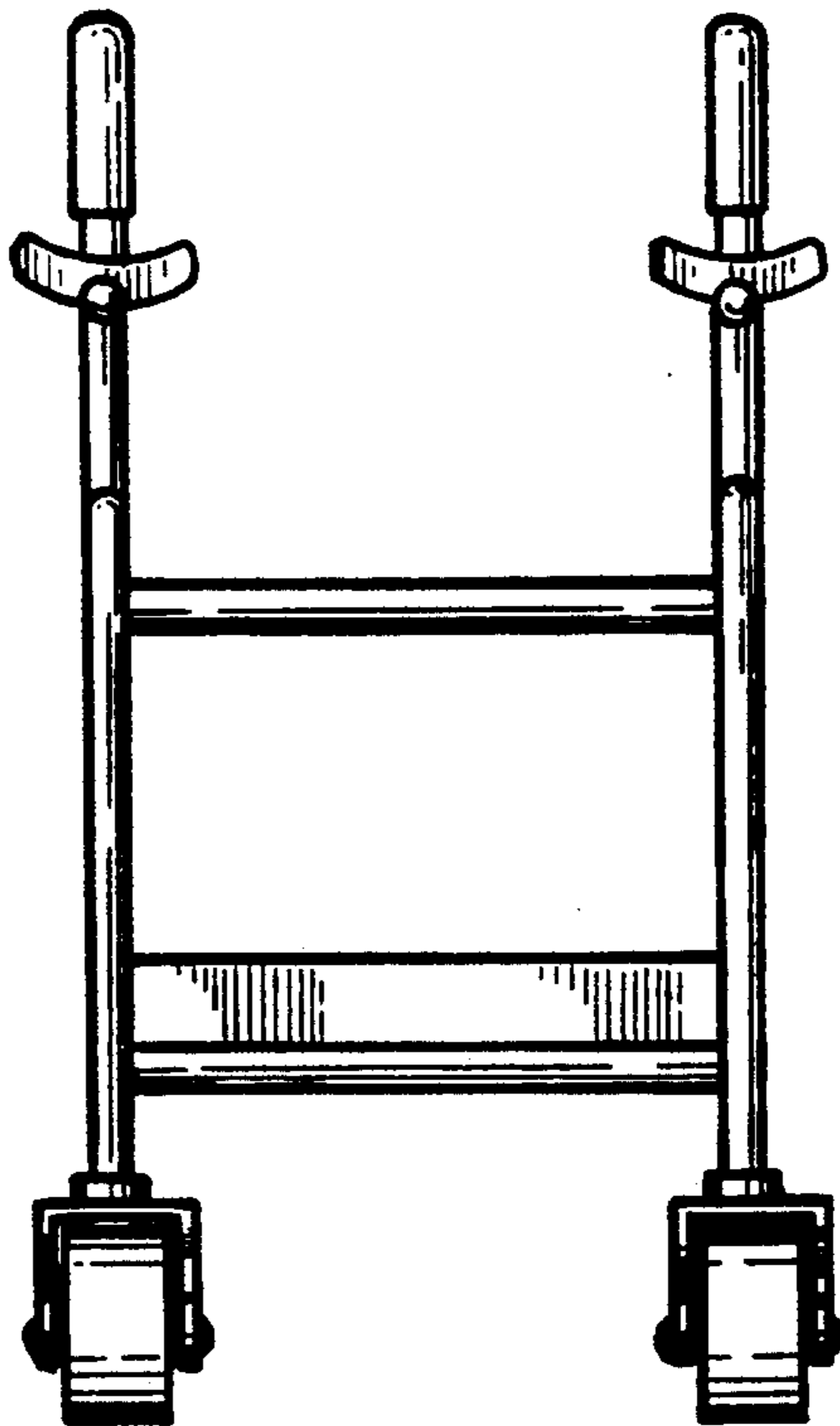


FIG. 3

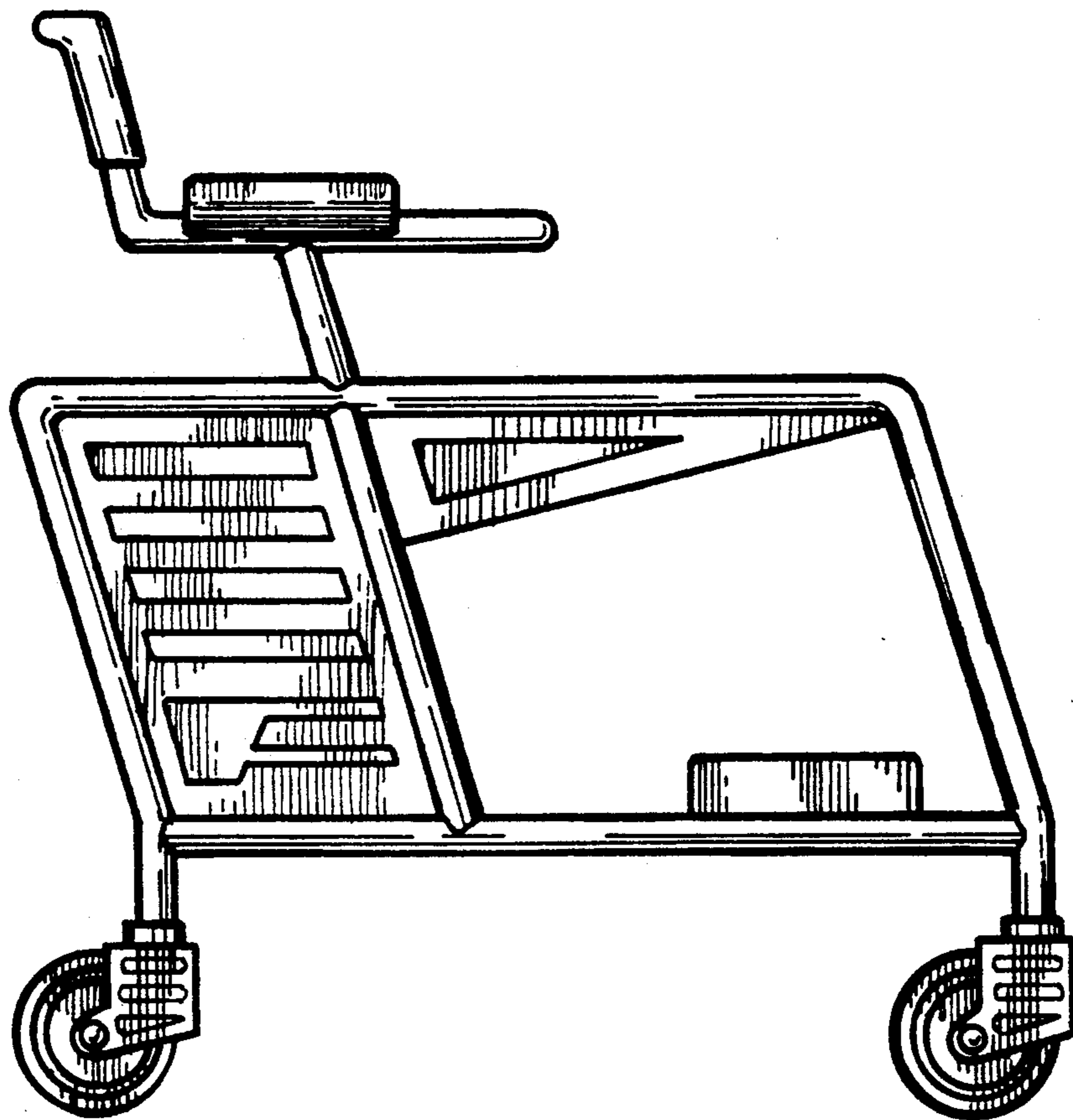


FIG. 4

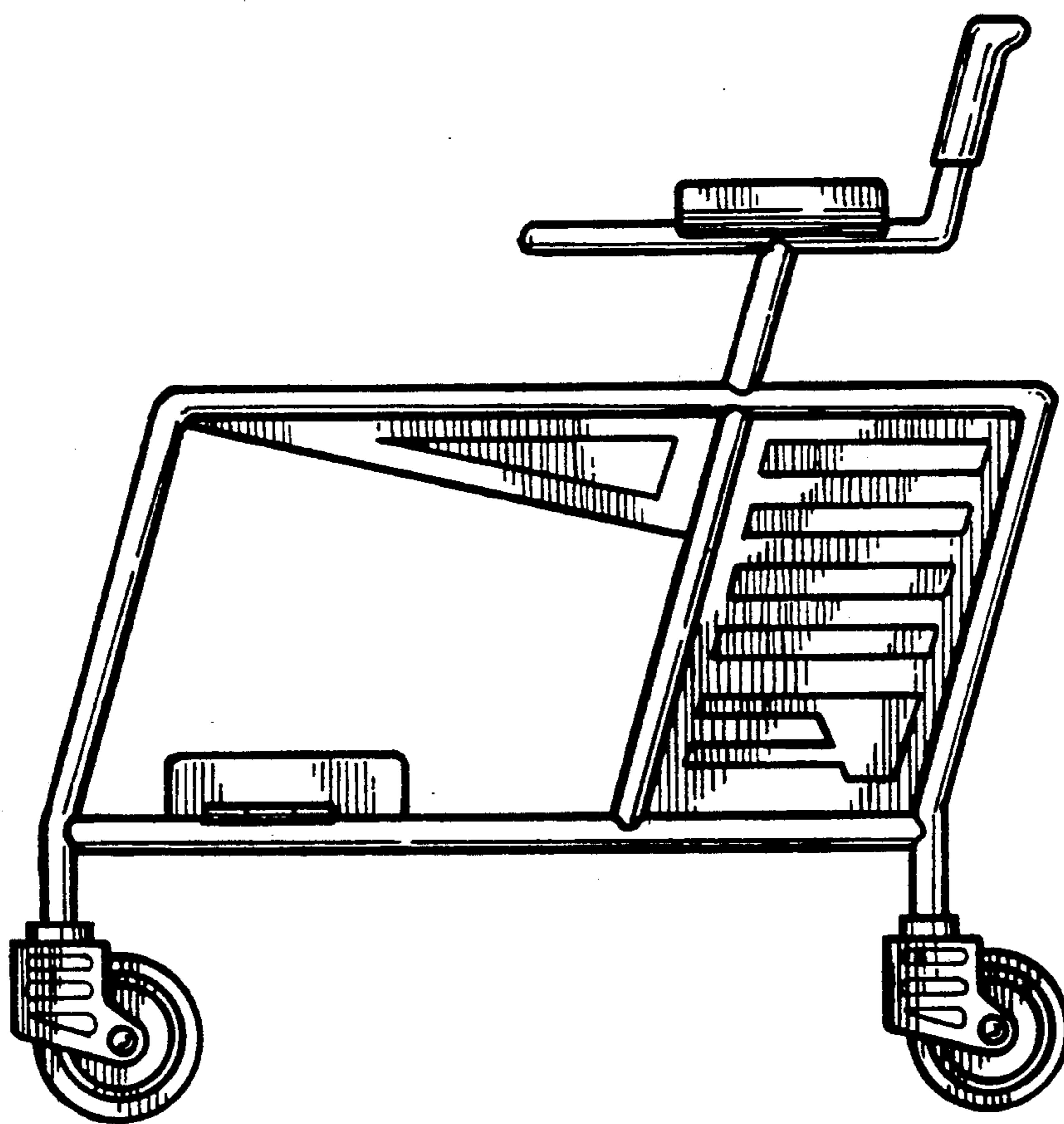


FIG. 5

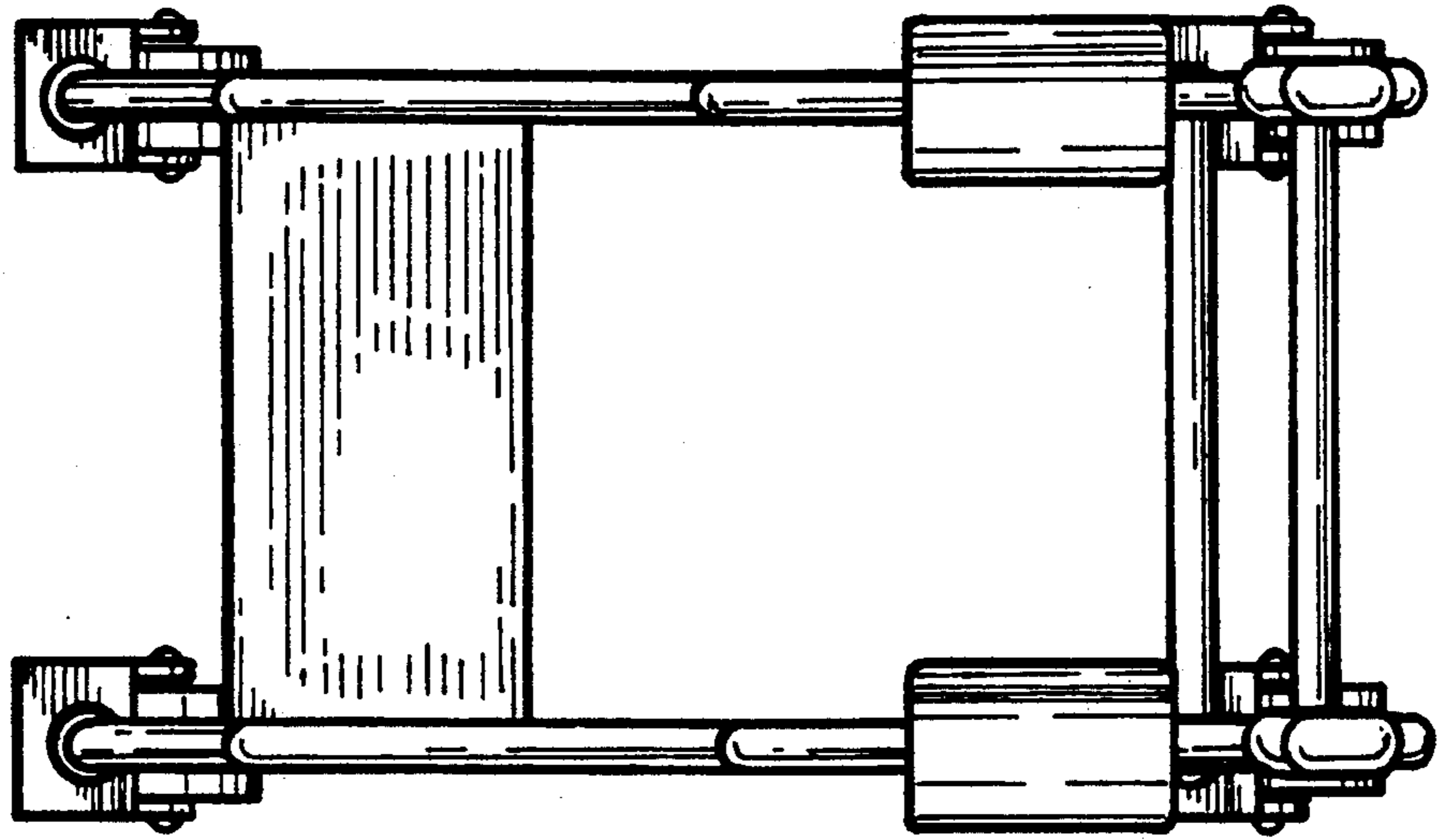


FIG. 6

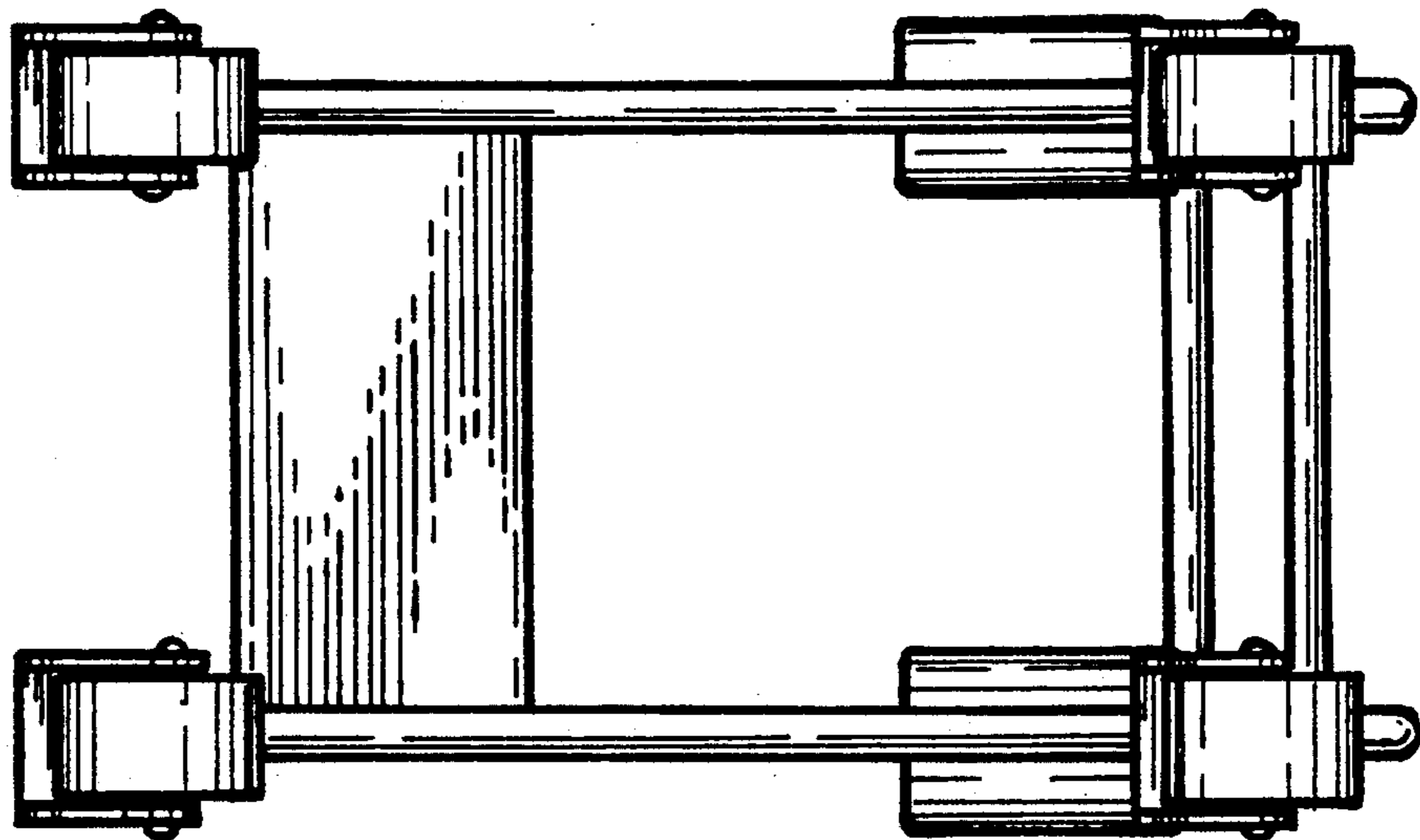


FIG. 7