



US00D326247S

United States Patent [19]

Hess

[11] Patent Number: Des. 326,247

[45] Date of Patent: ** May 19, 1992

[54] BICYCLE

[75] Inventor: Stanley C. Hess, Camarillo, Calif.

[73] Assignee: Hess Design, Camarillo, Calif.

[**] Term: 14 Years

[21] Appl. No.: 465,019

[22] Filed: Jan. 16, 1990

[52] U.S. Cl. D12/111

[58] Field of Search D12/111; 280/281.1, 280/288.1, 288.2, 288.3, 284

4,546,991 10/1985 Allen et al. 280/282
4,730,840 3/1988 Goldmeier D12/111

FOREIGN PATENT DOCUMENTS

423928 7/1947 Italy .

OTHER PUBLICATIONS

American Bicyclist & Motorcyclist, p. 65, Mar. 1989, Piranha Boy Fire Red Bicycle.

Primary Examiner—James M. Gandy
Assistant Examiner—Melody Brown
Attorney, Agent, or Firm—Spensley Horn Jubas & Lubitz

[56] References Cited

U.S. PATENT DOCUMENTS

D. 217,525	5/1970	Takashima	D12/111
D. 220,600	4/1971	Hill	D12/111
D. 263,944	4/1982	Arad et al.	D12/112
D. 273,774	5/1984	Levy et al.	D12/112
D. 276,512	11/1984	Gammelgaard et al.	D12/111
D. 277,947	3/1985	Blumenthal	D12/112
D. 278,325	4/1985	Nagel	D12/112
D. 279,464	7/1985	Kane	D12/112
D. 296,774	7/1988	Armstrong	D12/112
D. 310,983	10/1990	Goldmeier	D12/112
1,397,174	11/1921	Morwood	280/282
3,152,838	10/1964	Morehead	280/282

[57] CLAIM

The ornamental design for a bicycle, as shown.

DESCRIPTION

FIG. 1 is a right side perspective view of a bicycle showing my new design;
FIG. 2 is a right side elevational view thereof;
FIG. 3 is a front elevational view thereof;
FIG. 4 is a rear elevational view thereof;
FIG. 5 is a left side elevational view thereof;
FIG. 6 is a top plan view thereof; and,
FIG. 7 is a bottom plan view thereof.

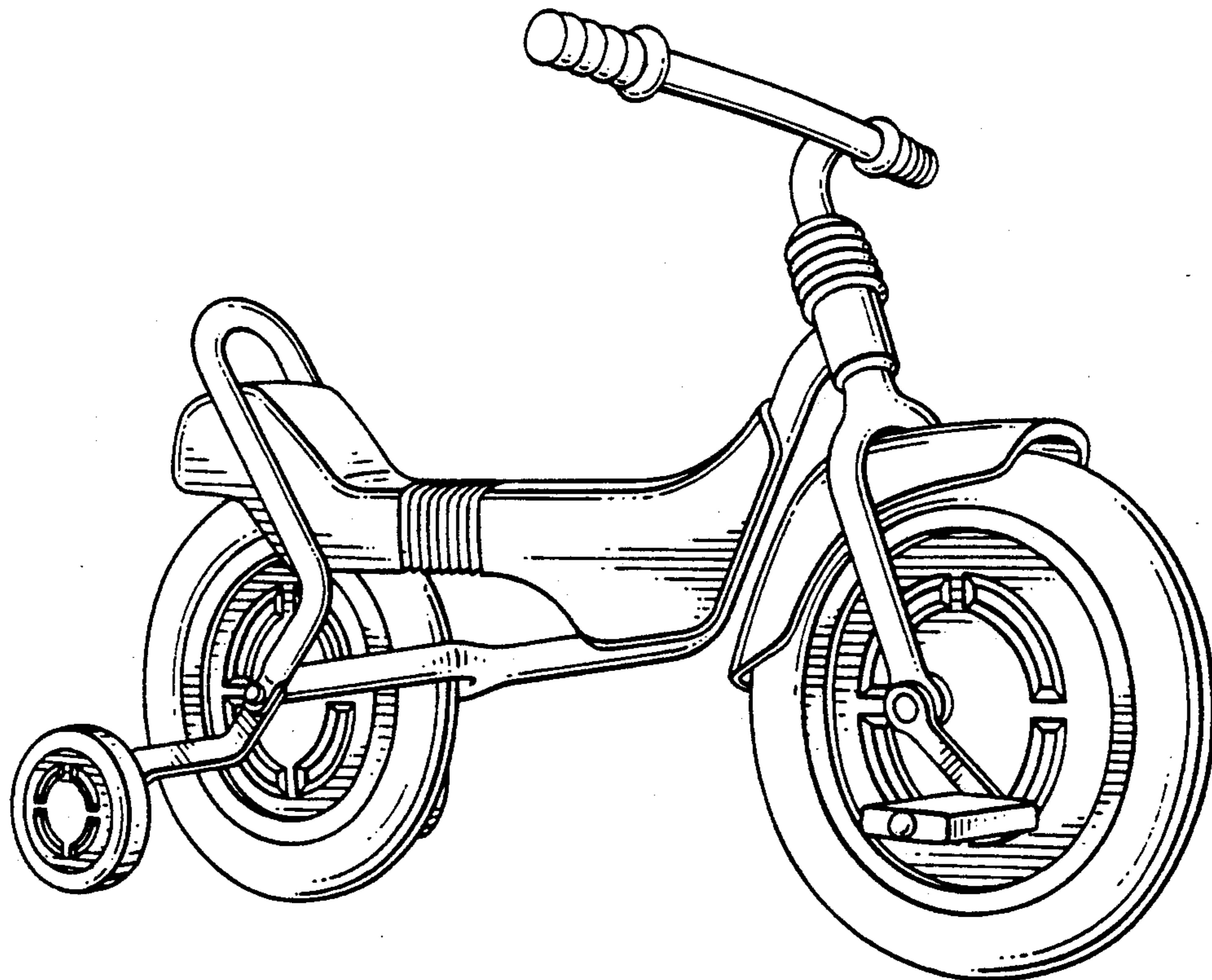


FIG. 1

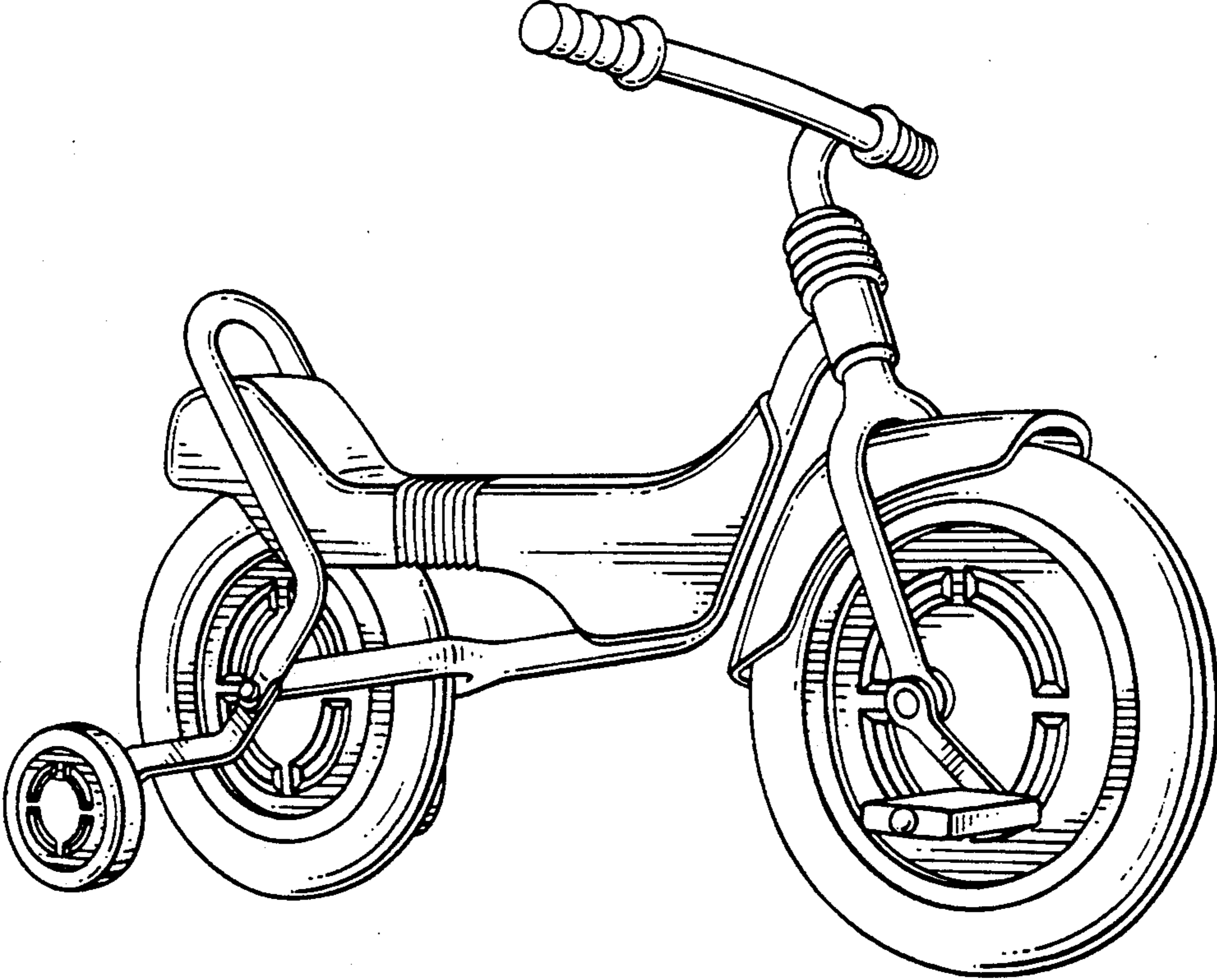


Fig. 2

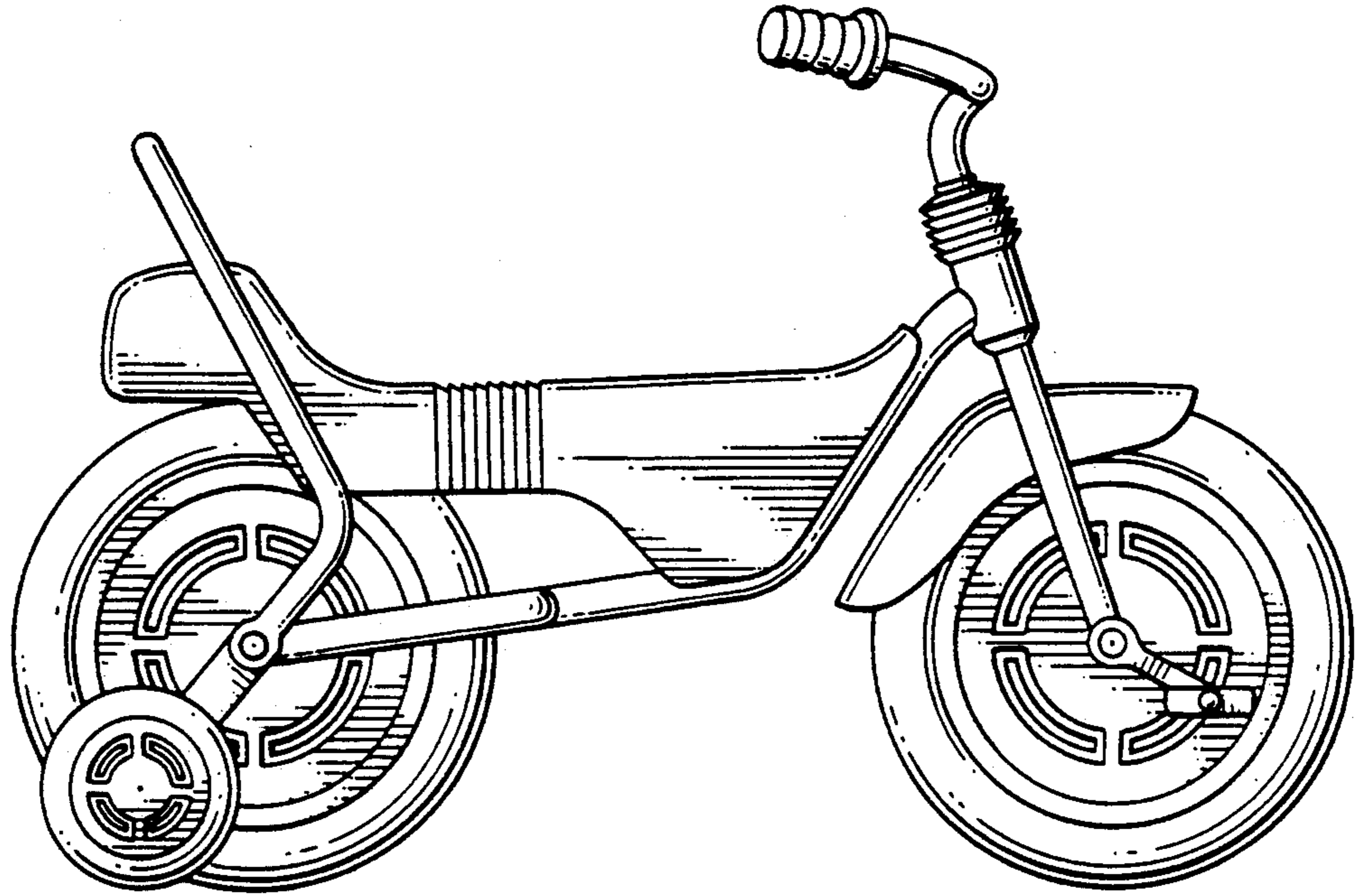


Fig. 3

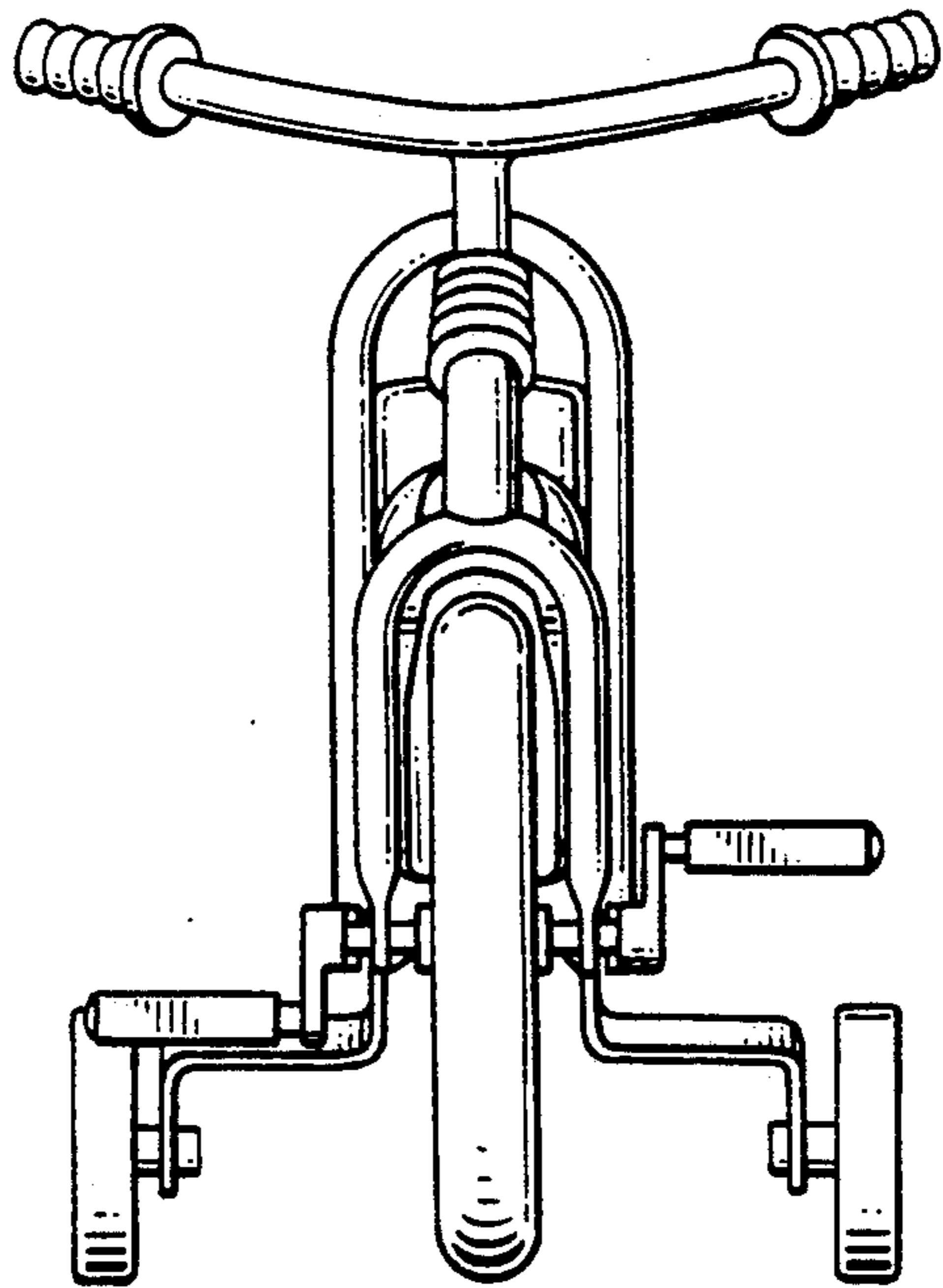


Fig. 4

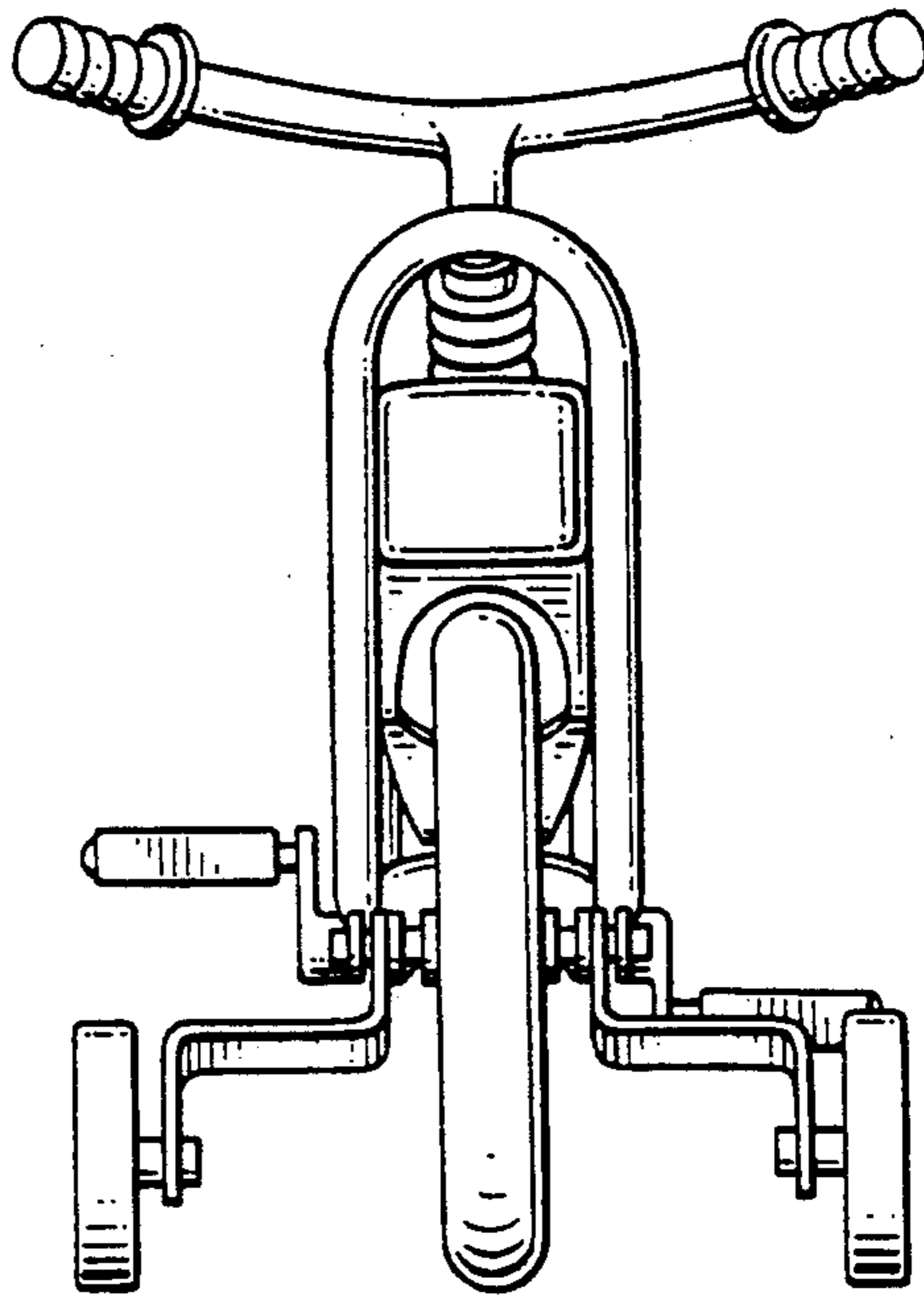


Fig. 5

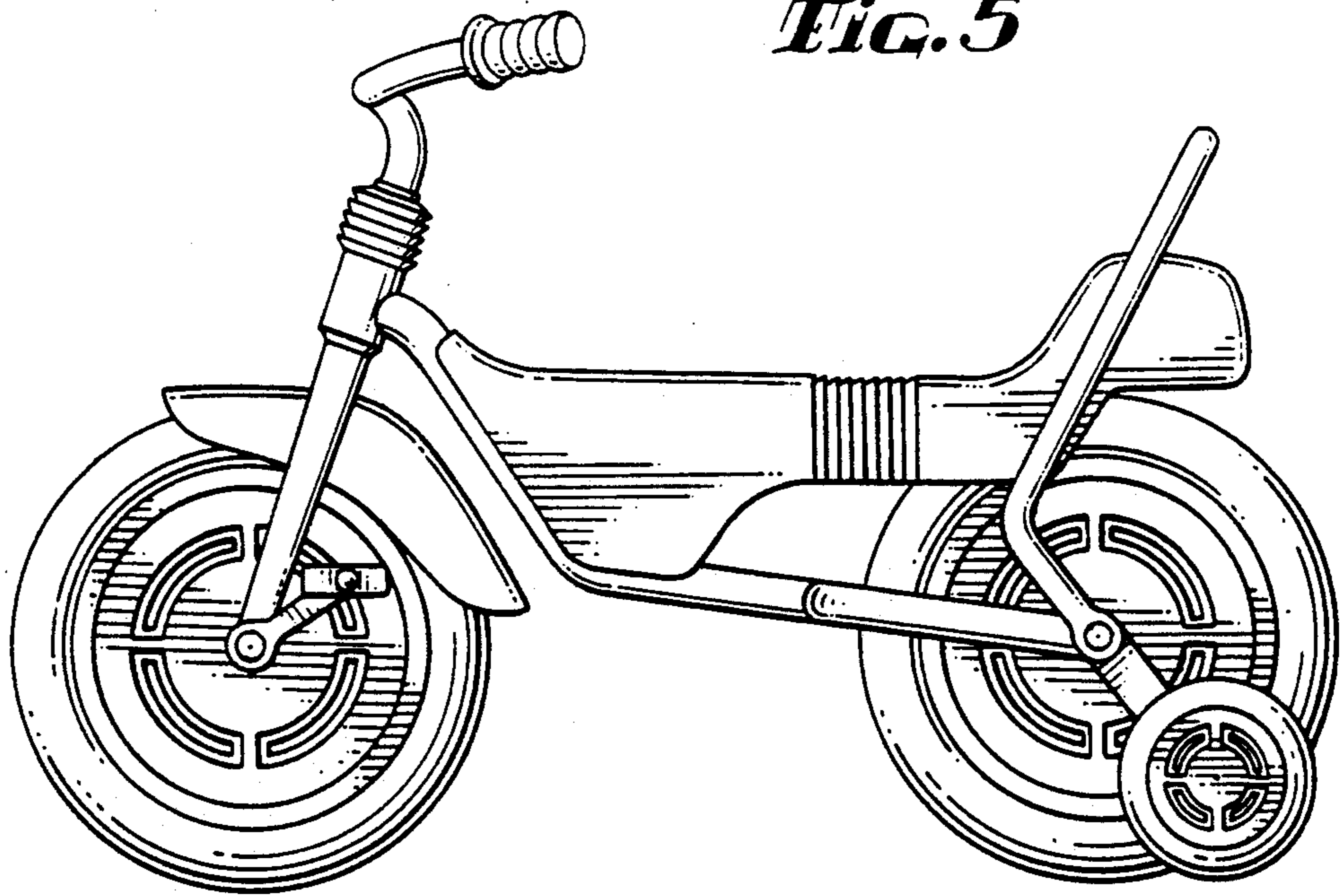


FIG. 6

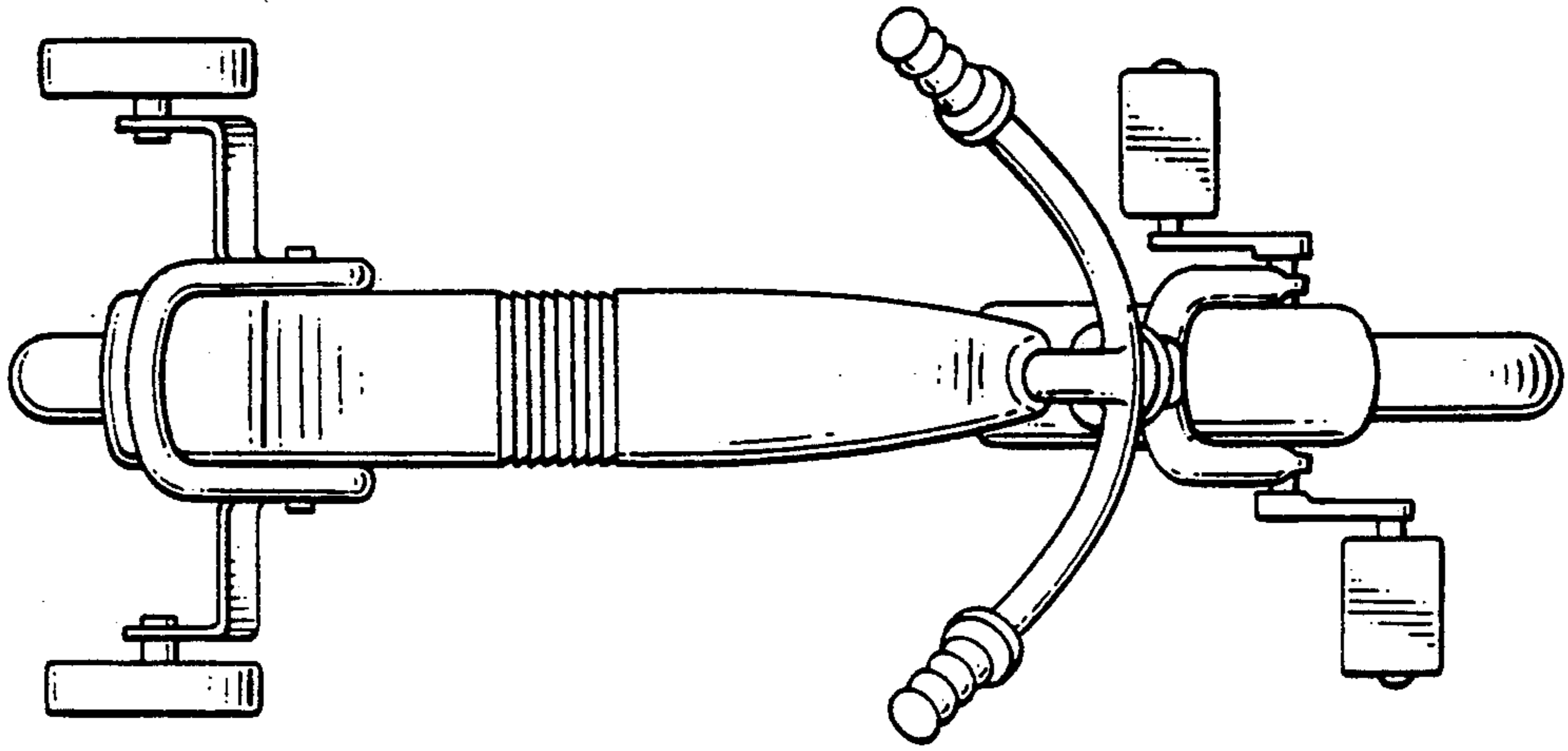


FIG. 7

