



US00D326237S

# United States Patent [19]

[11] Patent Number: **Des. 326,237**

Gale et al.

[45] Date of Patent: **\*\* May 19, 1992**

[54] ROTATING WARNING BEACON

4,387,362 6/1983 Gosswiller ..... 340/469

[75] Inventors: **Bradley D. Gale, St. Louis; J. Stanley Davis, Town & Country, both of Mo.**

*Primary Examiner*—Susan J. Lucas  
*Attorney, Agent, or Firm*—Senniger, Powers, Leavitt & Roedel

[73] Assignee: **Public Safety Equipment, Inc., St. Louis, Mo.**

### [57] CLAIM

[\*\*] Term: **14 Years**

The ornamental design for a rotating warning beacon, as shown and described.

[21] Appl. No.: **548,736**

### DESCRIPTION

[22] Filed: **Jul. 5, 1990**

[52] U.S. Cl. .... **D10/114; D26/29**

[58] Field of Search ..... **D26/28-36; D10/114; 362/35, 61, 80, 81, 82, 83, 74**

FIG. 1 is a front elevational view of a rotating warning beacon showing our new design, the rear being a mirror image;

FIG. 2 is a bottom plan view thereof;

FIG. 3 is a side elevational view thereof, the opposite side being a mirror image; and,

FIG. 4 is a top plan view thereof.

The ribbing around the perimeter of the housing is fragmentarily shown in FIGS. 2 and 4 for convenience of illustration, it being understood that the ribbing is continuous as indicated in FIGS. 1 and 3.

### [56] References Cited

#### U.S. PATENT DOCUMENTS

3,325,930	6/1967	Braeutigam	.....	D10/114	X
3,723,725	3/1973	Jaeger	.....	362/35	
3,763,367	10/1973	Nitsch et al.	.....	D26/36	X
4,124,880	11/1978	Dart et al.	.....	362/35	

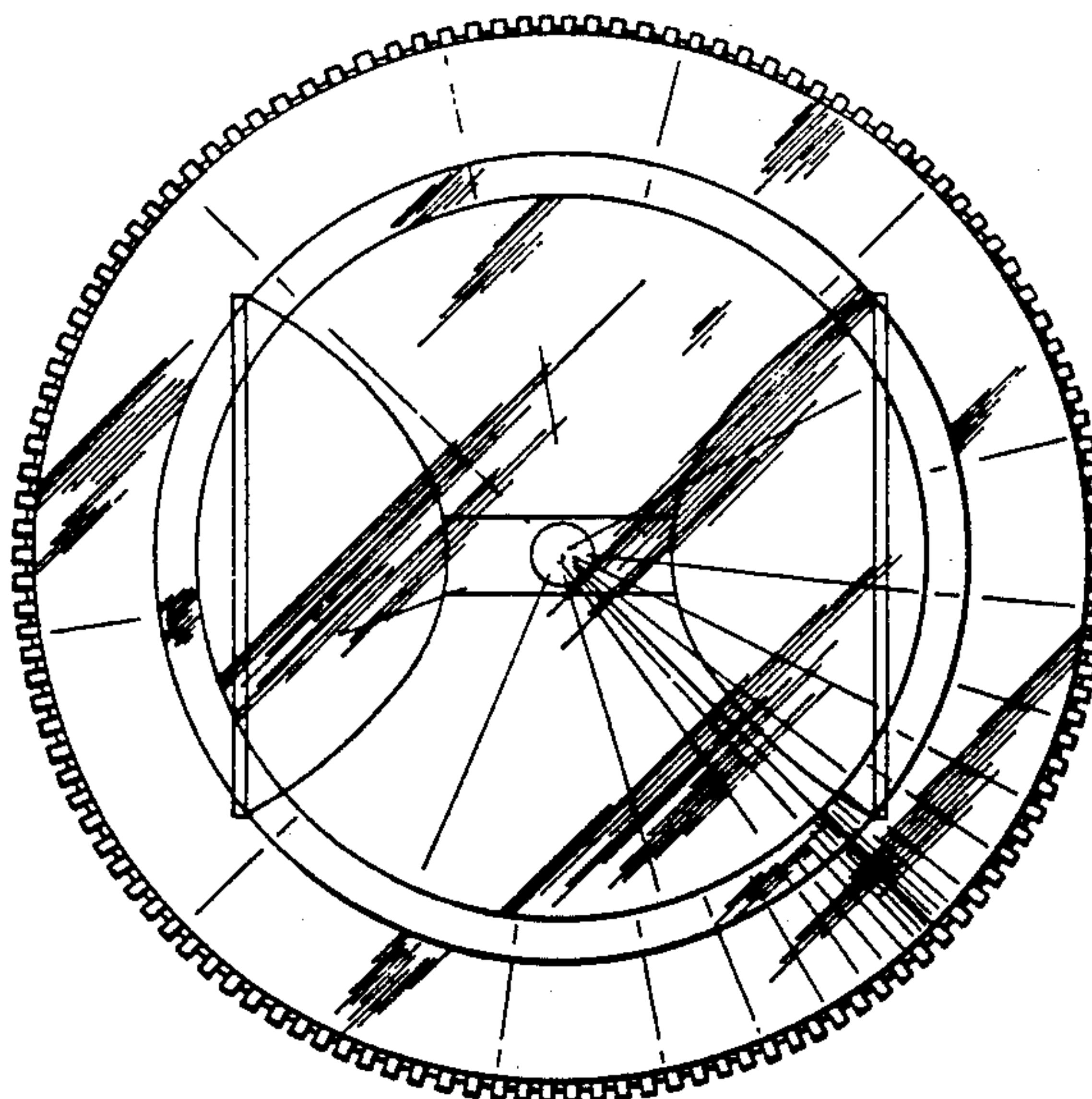
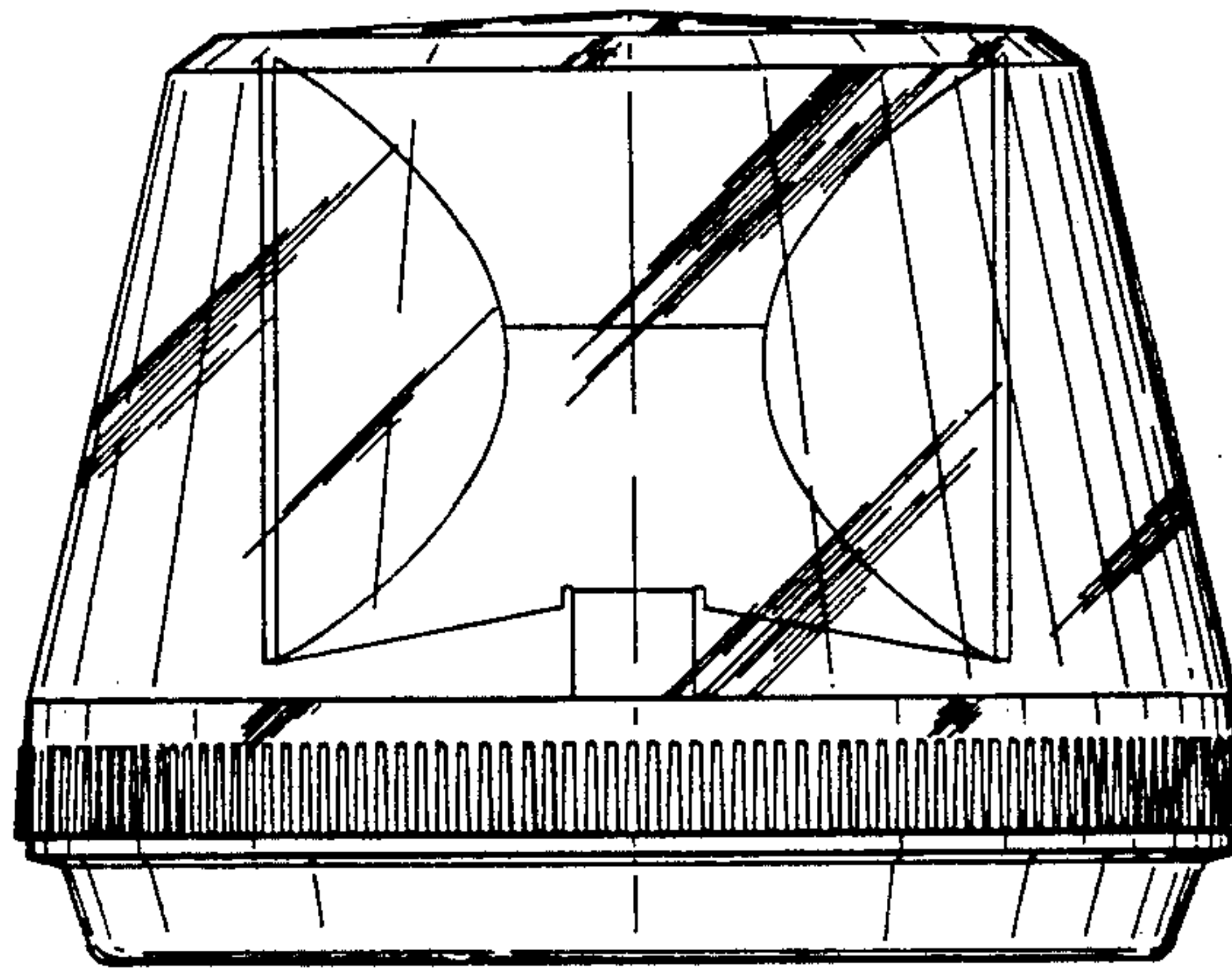


FIG. 1

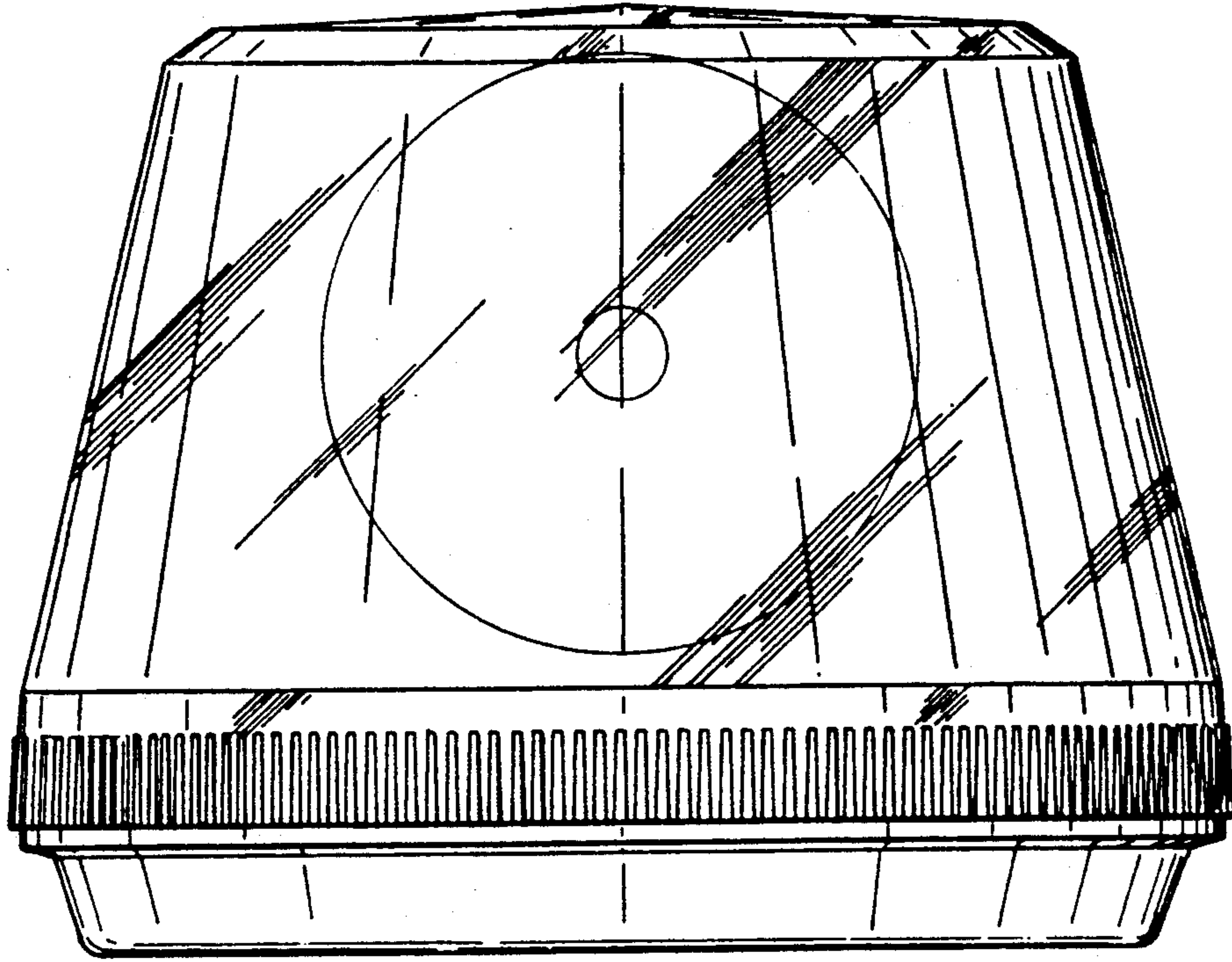


FIG. 2

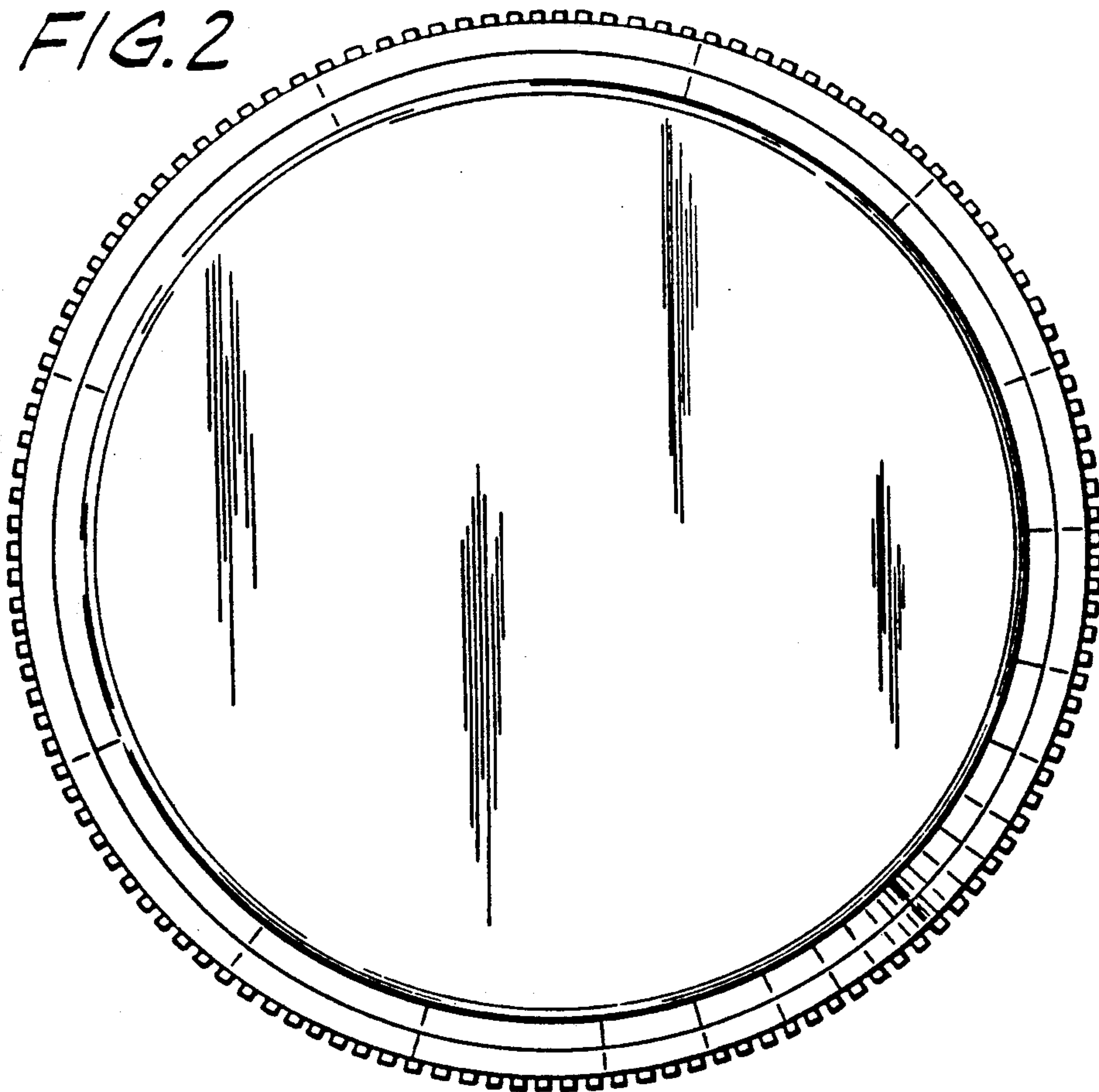




FIG. 3

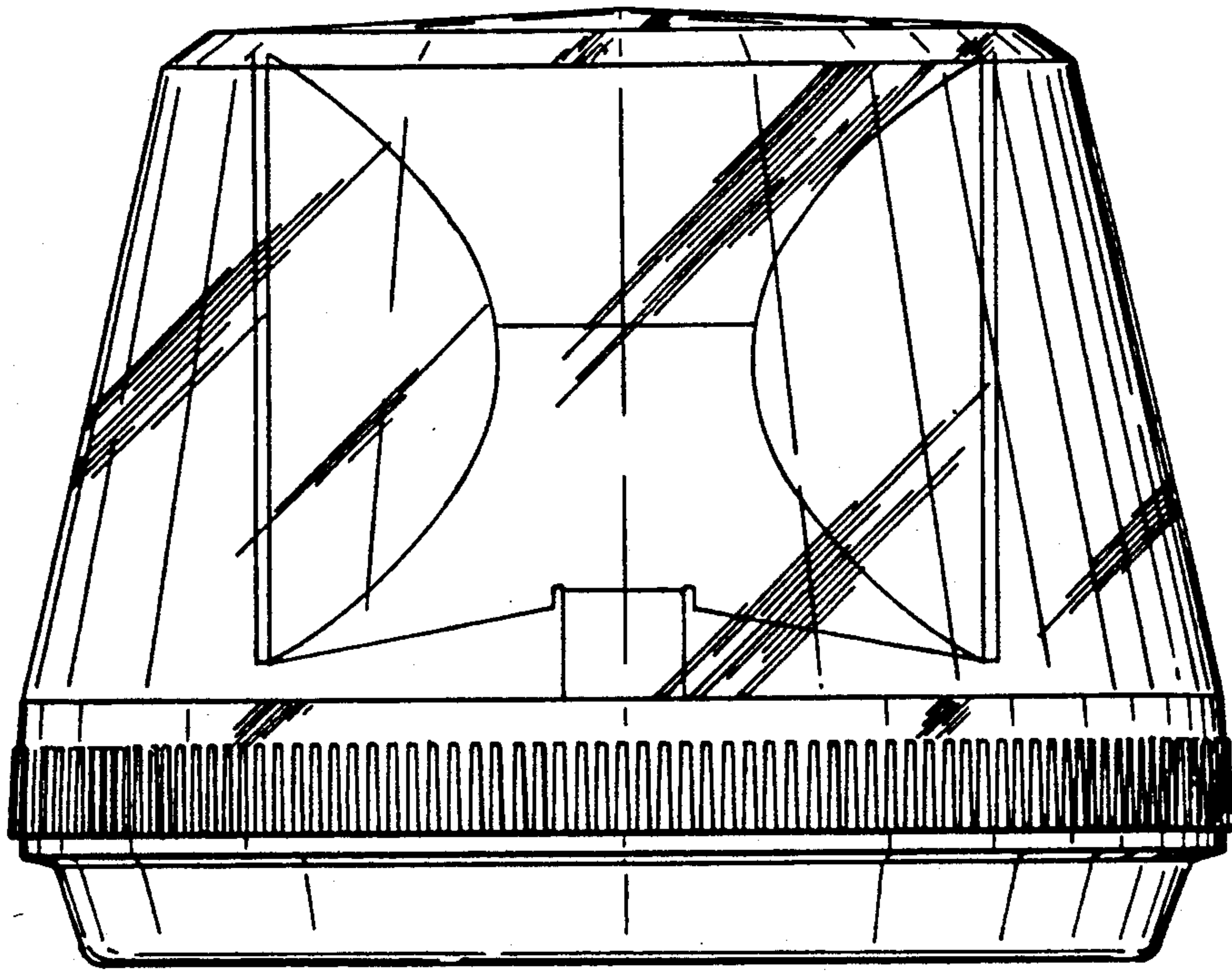


FIG. 4

