



US00D326215S

United States Patent [19]

[11] Patent Number: **Des. 326,215**

DeJaynes

[45] Date of Patent: **** May 19, 1992**

[54] **RIBBON SHREDDER**

[56] **References Cited**

[76] Inventor: **Arnold M. DeJaynes, R.R. #1, Box 168, New London, Iowa 52645**

U.S. PATENT DOCUMENTS

3,883,953	5/1975	Saullo et al.	30/304
4,133,109	1/1979	Dow	30/304
4,870,756	10/1989	Burkhalter	30/304

[**] Term: **14 Years**

Primary Examiner—Melvin B. Feifer
Assistant Examiner—Philip Hyder
Attorney, Agent, or Firm—Zarley, McKee, Thomte, Voorhees & Sease

[21] Appl. No.: **448,604**

[57] **CLAIM**

[22] Filed: **Dec. 11, 1989**

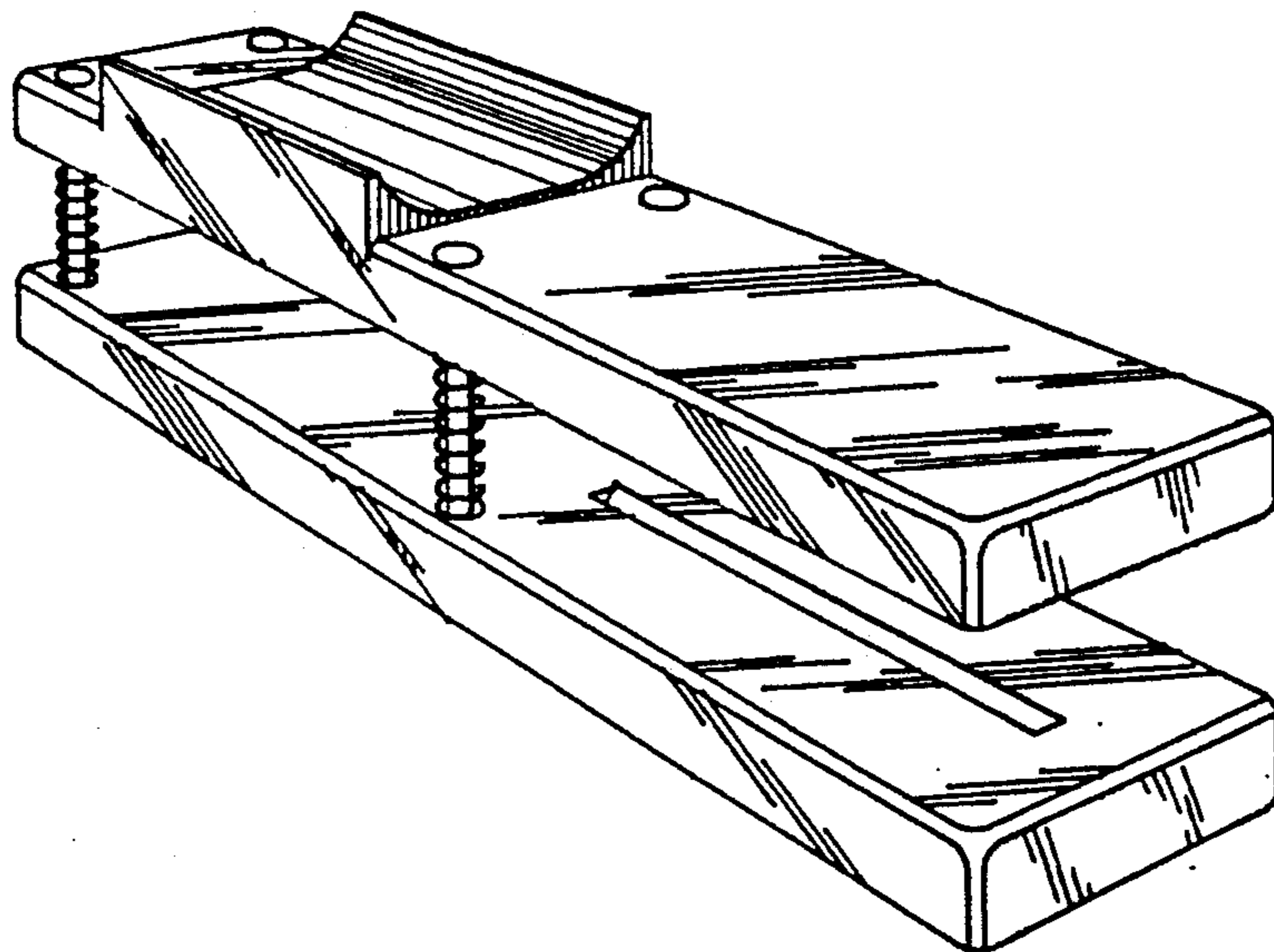
The ornamental design for a ribbon shredder, as shown.

Related U.S. Application Data

[63] Continuation-in-part of Ser. No. 204,787, Jun. 10, 1988.
 [52] U.S. Cl. **D8/98**
 [58] Field of Search **D8/14, 51, 98; 30/304, 30/303, 279**

DESCRIPTION

FIG. 1 is a perspective view of a ribbon shredder showing my new design;
FIG. 2 is a side elevational view thereof;
FIG. 3 is a front elevational view thereof; and,
FIG. 4 is a top plan view thereof.



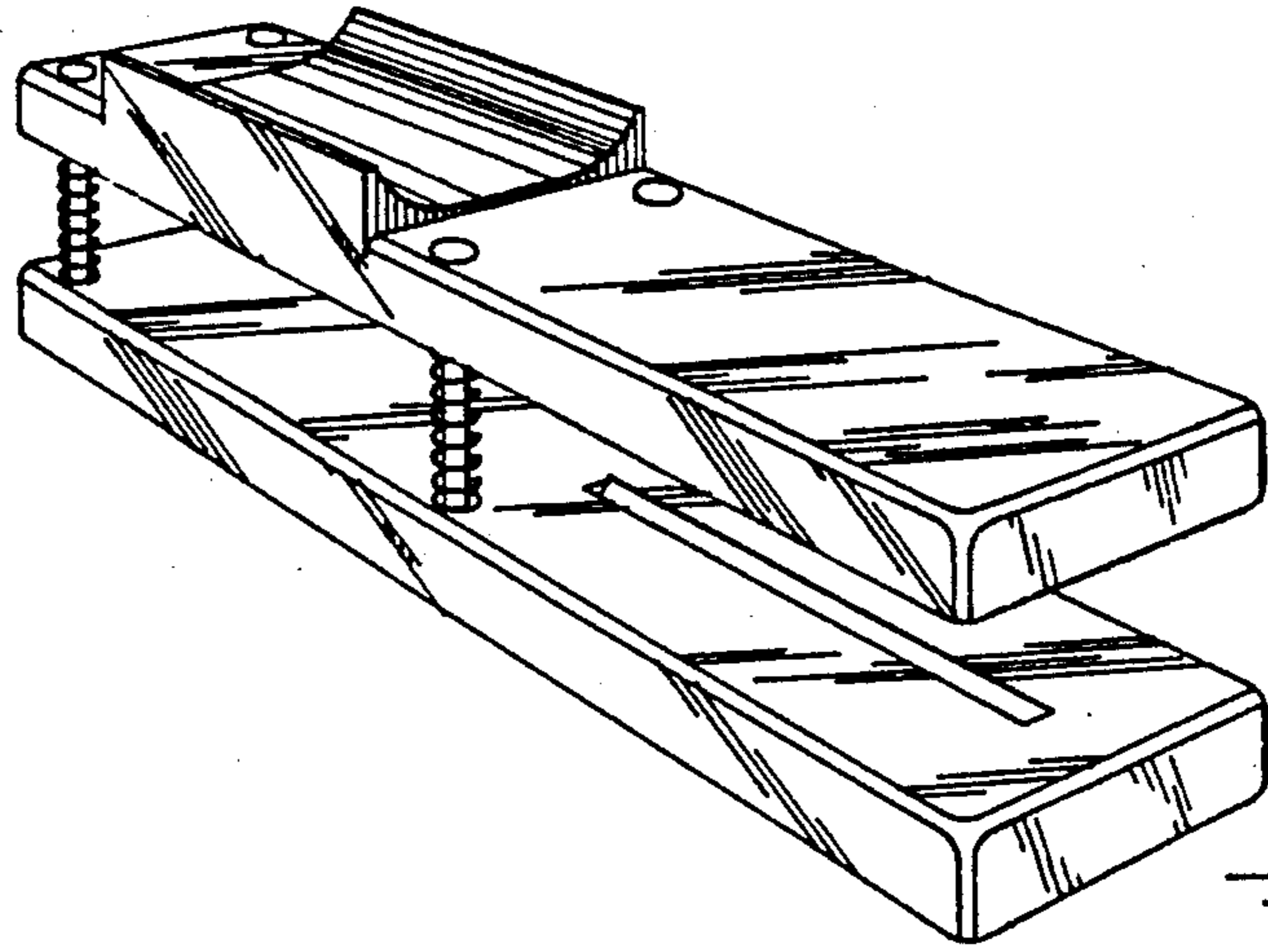


Fig. 1

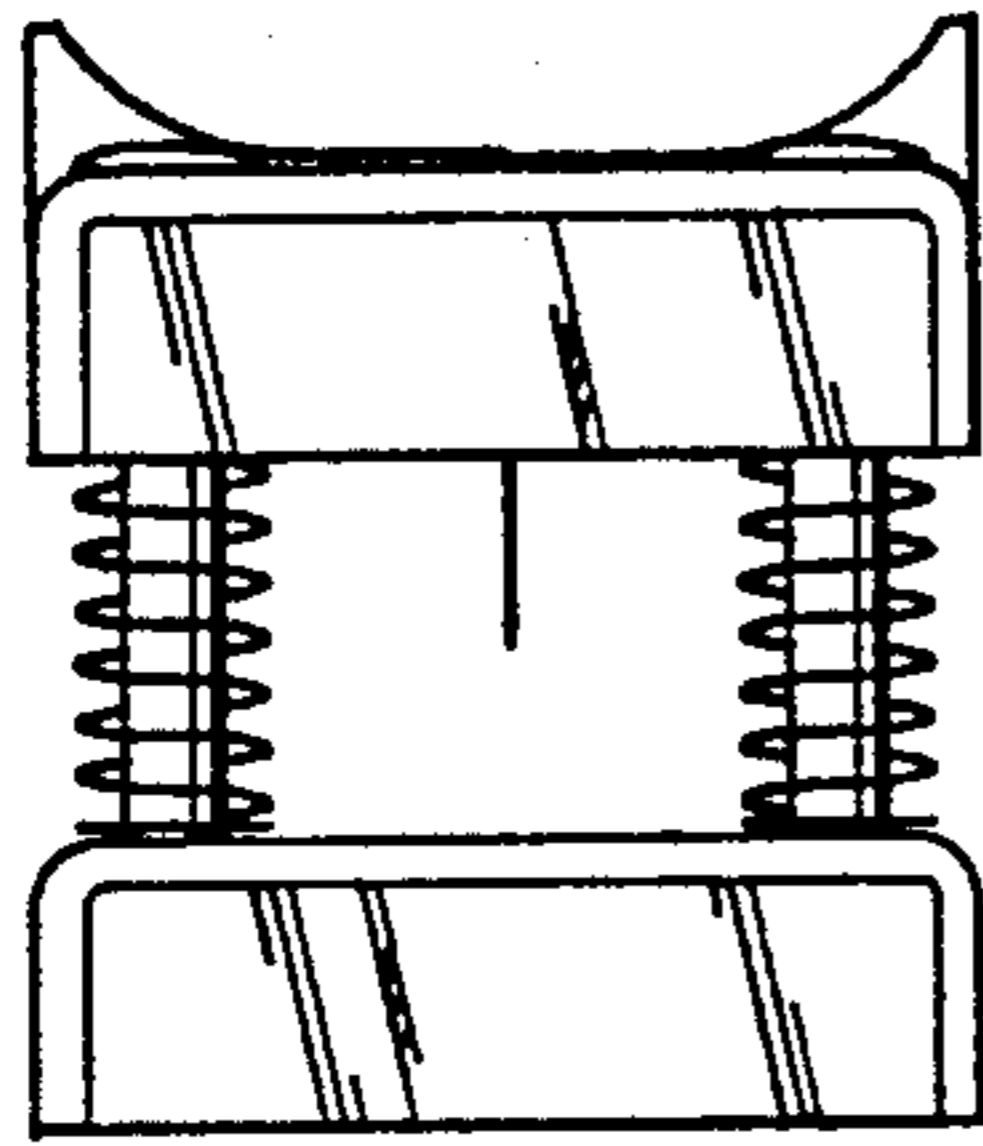


Fig. 2

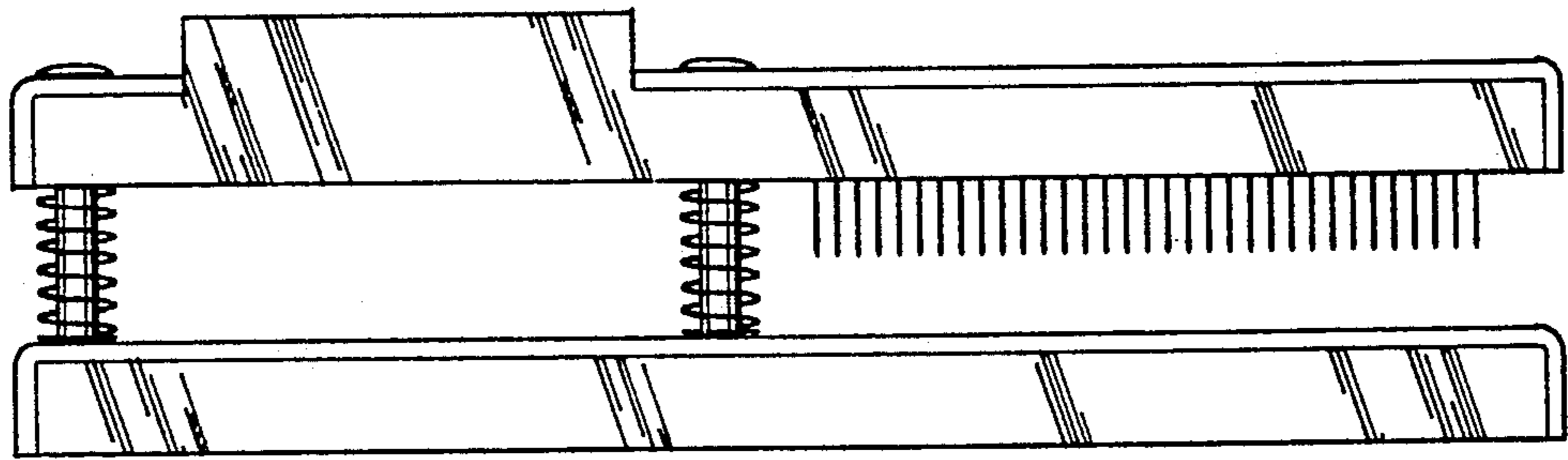


Fig. 3

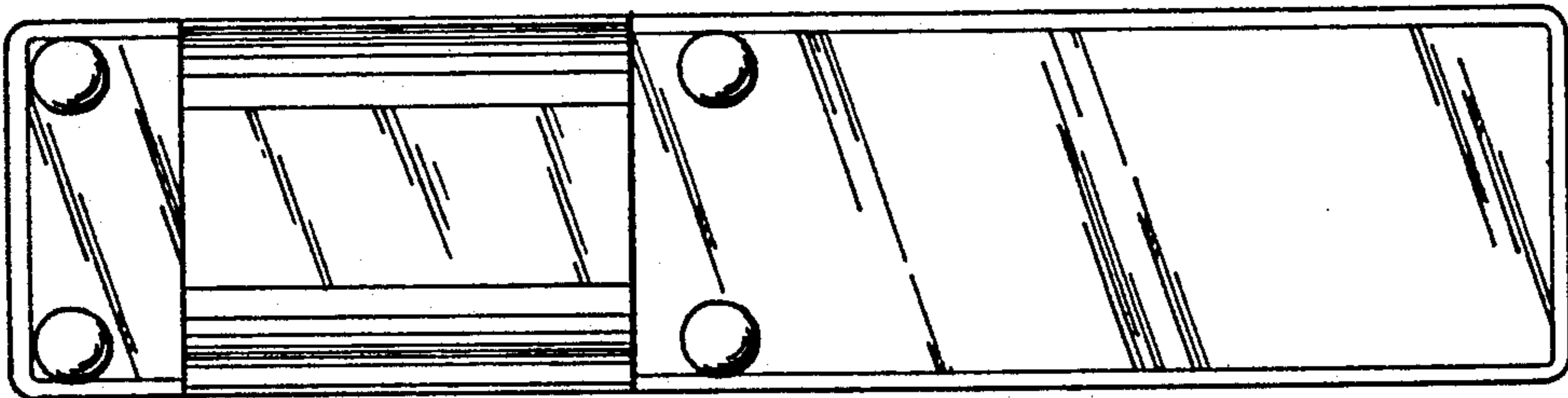


Fig. 4