



US00D326214S

United States Patent [19] Hepworth

[11] Patent Number: **Des. 326,214**
[45] Date of Patent: **** May 19, 1992**

[54] **WIRE STRIPPER**

[75] Inventor: **Paul S. Hepworth**, Guildford,
England

[73] Assignee: **Plas Plugs Limited**, Staffs, England

[**] Term: **14 Years**

[21] Appl. No.: **404,440**

[22] Filed: **Sep. 8, 1989**

[30] **Foreign Application Priority Data**

Mar. 9, 1989 [GB] United Kingdom 1057745

[52] U.S. Cl. **D8/98**

[58] Field of Search D8/14, 51, 98, 105;
30/90.1, 90.2, 90.4, 90.6

[56] **References Cited**

U.S. PATENT DOCUMENTS

D. 279,545 7/1985 Norin et al. D8/51

D. 306,818 3/1990 Reeve D8/14
D. 308,812 6/1990 Grubbs et al. D8/99
2,643,561 6/1953 Ackley 30/90.1
2,875,516 3/1959 Parks 30/90.1
4,799,406 1/1989 Diaz-De-Guerenu-Aguir-
rebeitia 30/90.6

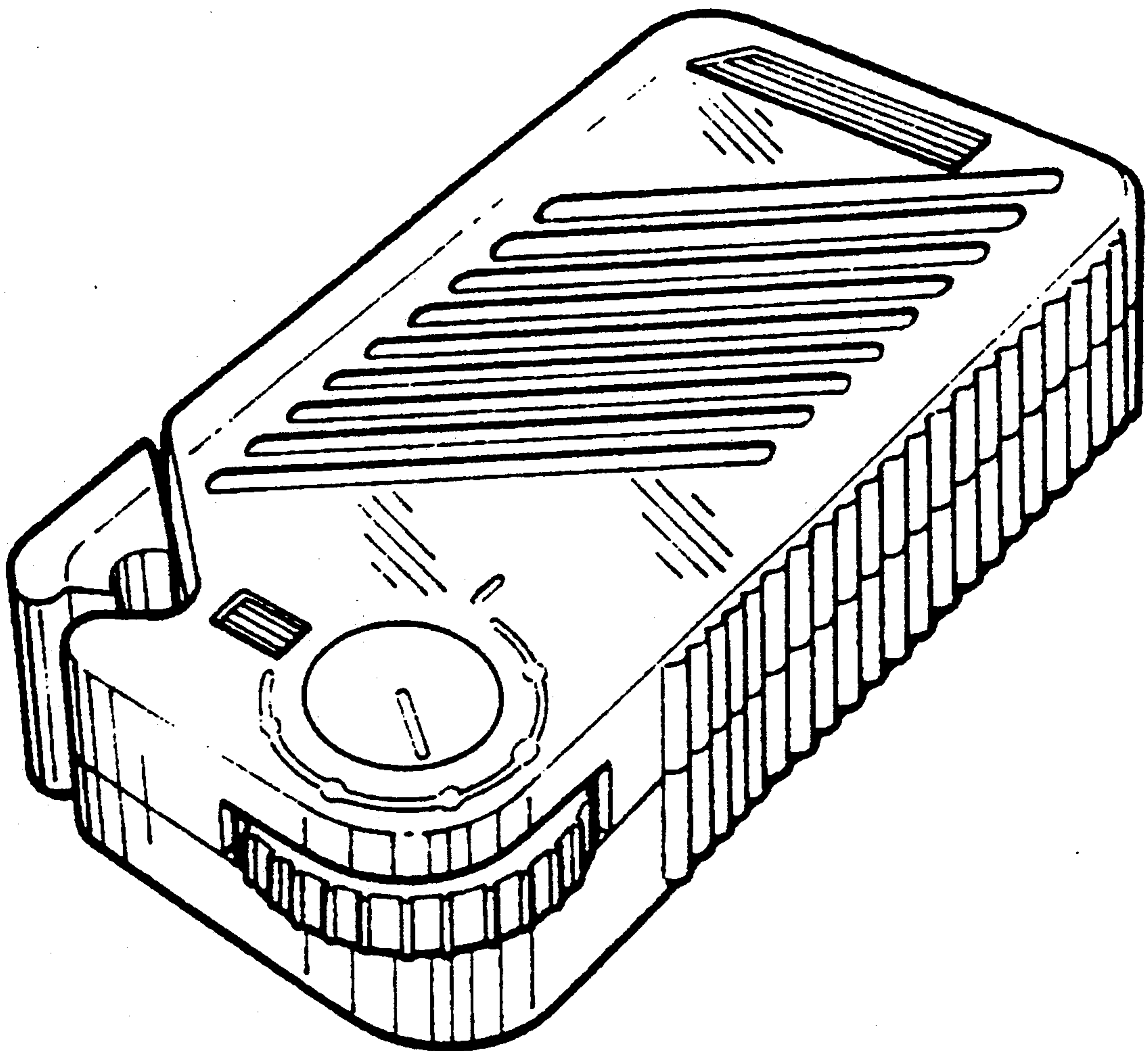
Primary Examiner—Bernard Ansher
Assistant Examiner—Philip Hyder
Attorney, Agent, or Firm—Longacre & White

[57] **CLAIM**

The ornamental design for a wire stripper, as shown.

DESCRIPTION

FIG. 1 is a perspective view of a wire stripper showing my new design;
FIG. 2 is a right side elevational view thereof;
FIG. 3 is a rear elevational view thereof;
FIG. 4 is a top plan view thereof;
FIG. 5 is a left side elevational view thereof; and,
FIG. 6 is a front elevational view thereof.



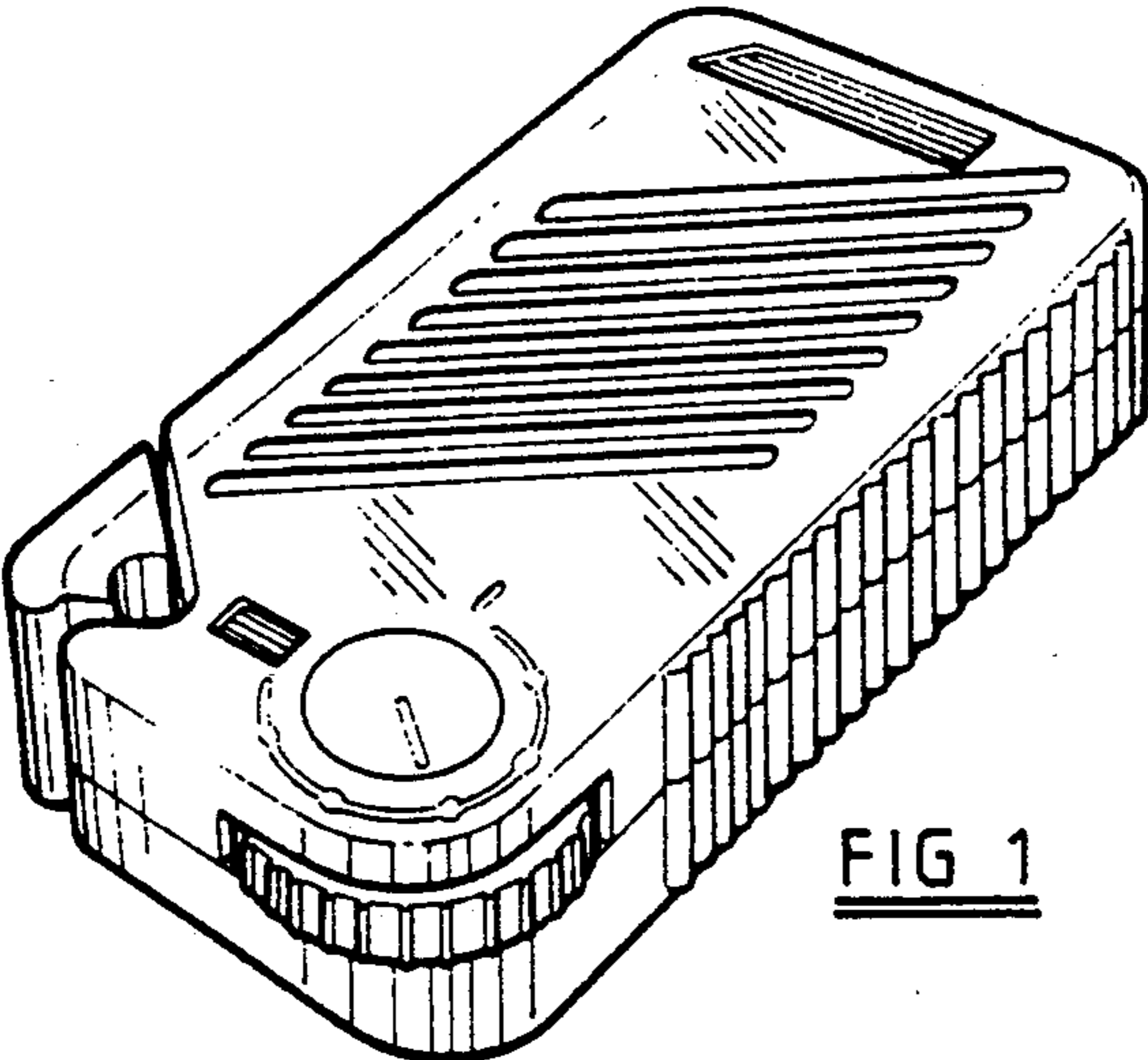


FIG 1

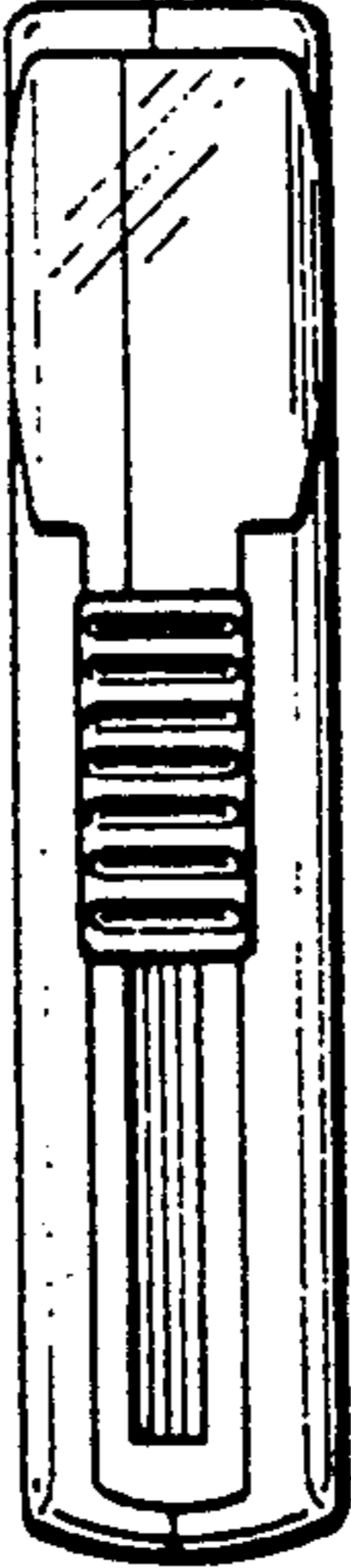


FIG 2

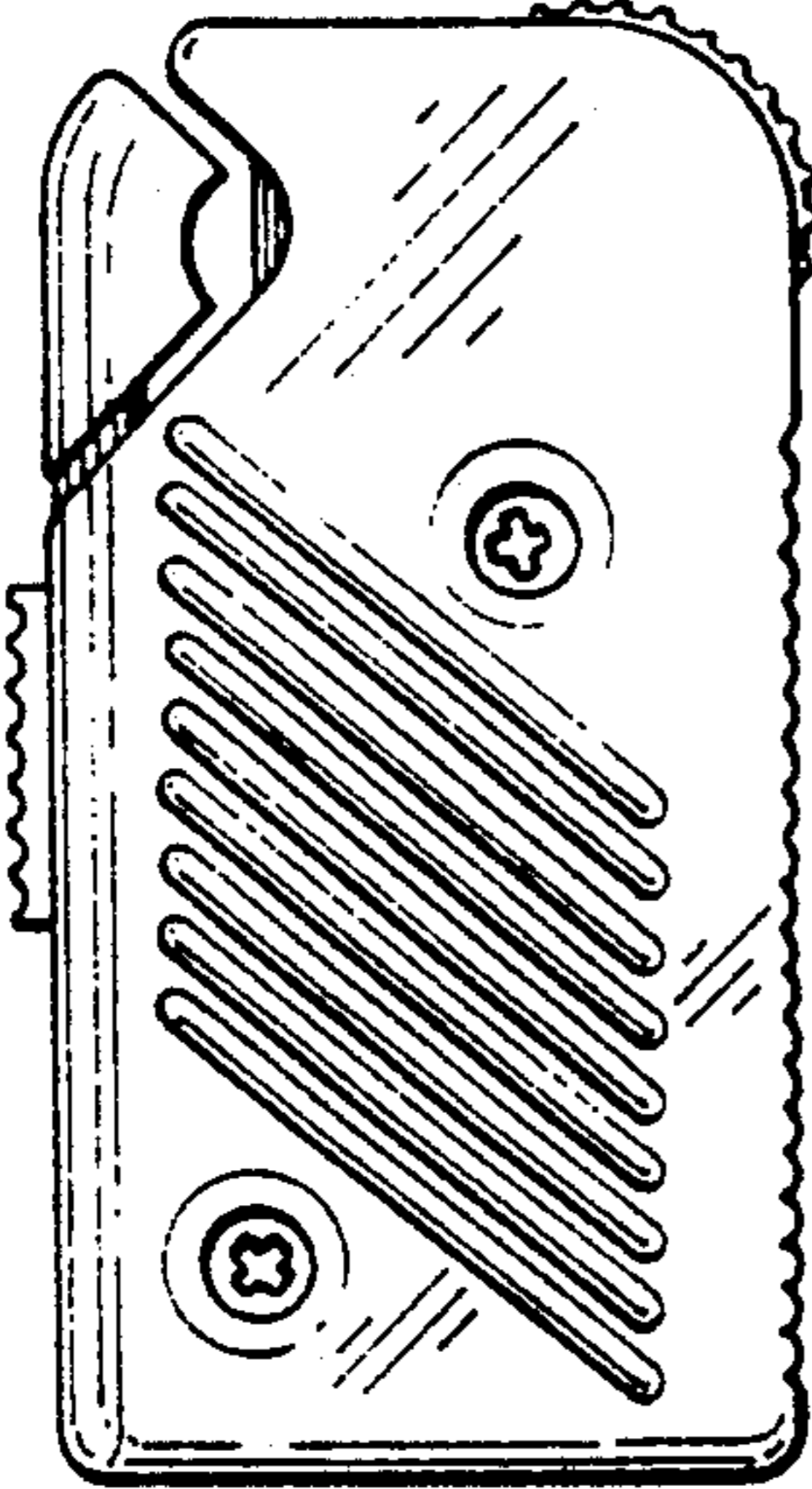


FIG 3



FIG 4



FIG 5

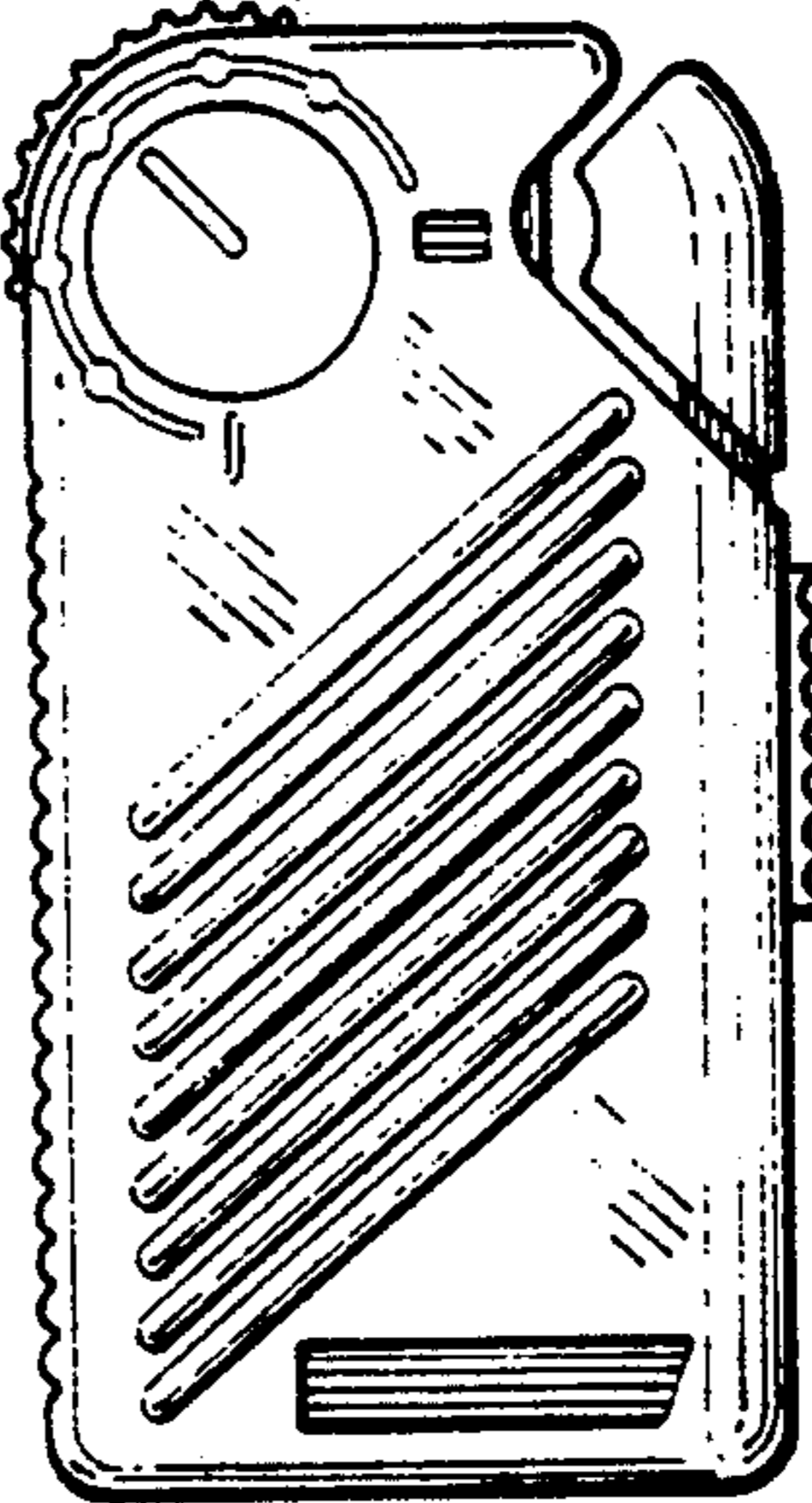


FIG 6