



US00D326212S

United States Patent [19]

[11] Patent Number: Des. 326,212

Mingrino

[45] Date of Patent: ** May 19, 1992

- [54] COMBINED TEE SLOT CLEANER AND SHOVEL
- [75] Inventor: Eric Mingrino, Brooklyn, N.Y.
- [73] Assignee: Mingrino Industries, Brooklyn, N.Y.
- [**] Term: 14 Years
- [21] Appl. No.: 562,140
- [22] Filed: Aug. 2, 1990
- [52] U.S. Cl. D8/10
- [58] Field of Search D8/10, 13, 7, 9, 16, D8/19; 294/57, 9, 51; 7/114-116; D21/120; D30/161, 162; D32/74, 40, 46

2,572,230 10/1951 Williams D8/10

Primary Examiner—Susan J. Lucas
 Assistant Examiner—H. Baynham
 Attorney, Agent, or Firm—Helfgott & Karas

[57] CLAIM

The ornamental design for a combined tee slot cleaner and shovel, as shown.

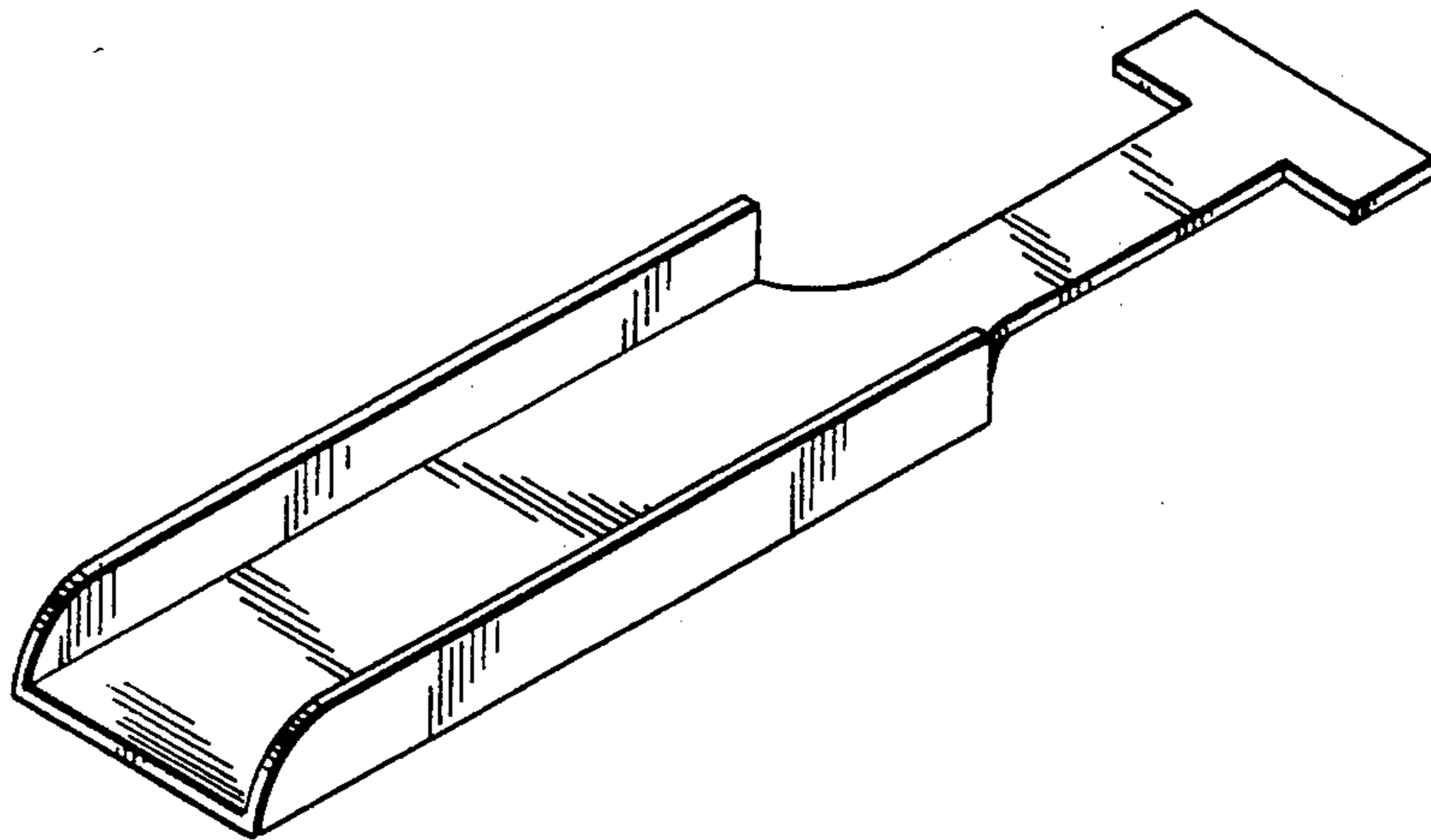
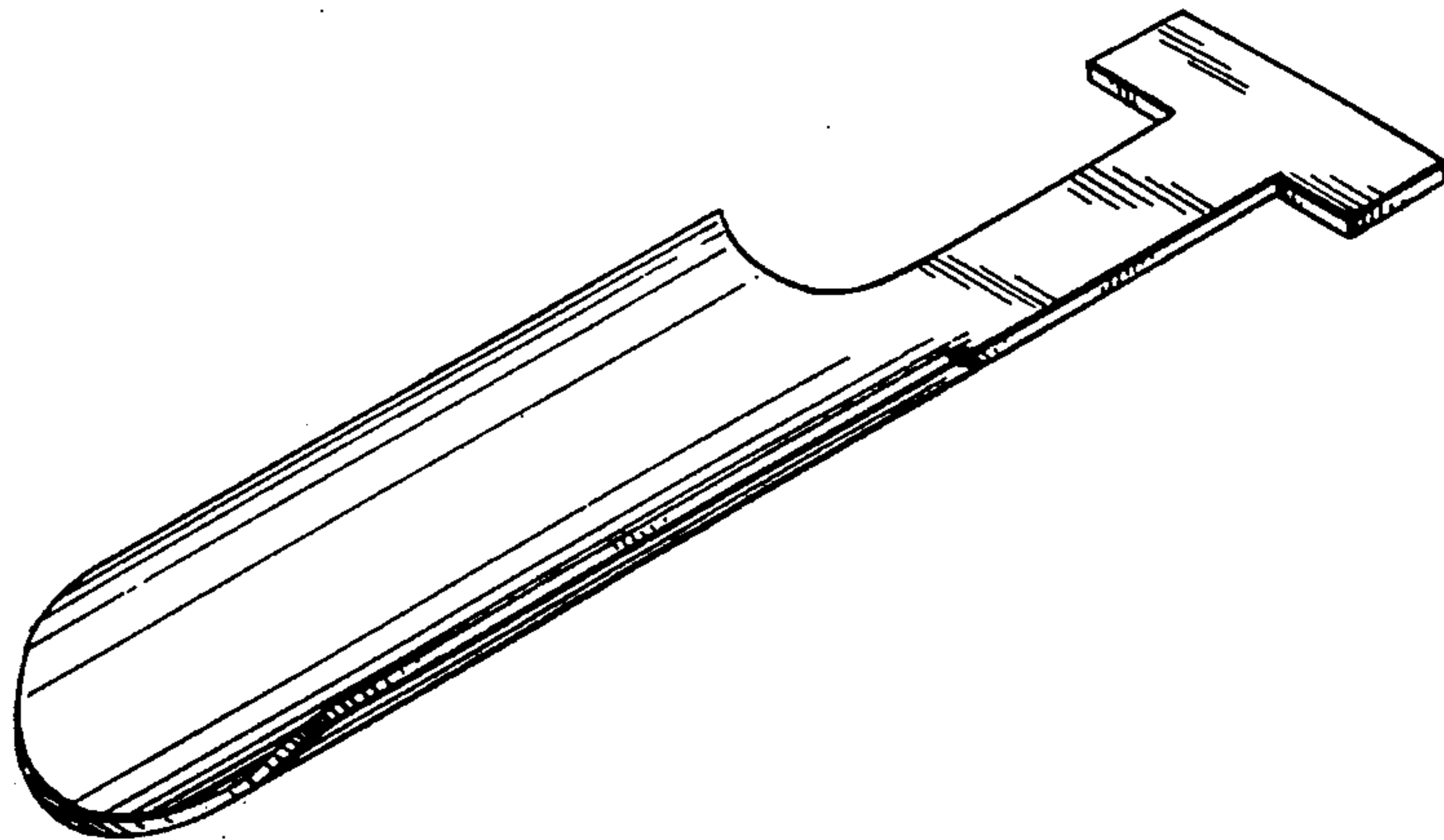
DESCRIPTION

FIG. 1 is a perspective view of a combined tree slot cleaner and shovel showing my new design;
 FIG. 2 is a top plan view thereof;
 FIG. 3 is a front elevational view thereof;
 FIG. 4 is a rear elevational view thereof;
 FIG. 5 is a left side elevational view thereof with the right side being a mirror image thereof;
 FIG. 6 is a bottom plan view thereof;
 FIG. 7 is a perspective view of a second embodiment of the design;
 FIG. 8 is a top plan view thereof;
 FIG. 9 is a front elevational view thereof;
 FIG. 10 is a rear elevational view thereof;
 FIG. 11 is a left side elevational view thereof with the right side being a mirror image thereof; and,
 FIG. 12 is a bottom plan view thereof.

[56] References Cited

U.S. PATENT DOCUMENTS

13,141	8/1882	Chalfant	D8/10
54,891	4/1920	Brule	D32/74
77,900	3/1929	Lawson	D8/10
255,923	4/1882	Bradner	D8/10
D. 272,552	2/1984	Clanton	D21/120
D. 272,799	2/1984	Pluss	D8/10
D. 283,062	3/1986	Lordi	D7/691 X
D. 283,196	4/1986	Hasse	D8/10
1,287,901	12/1918	Custer	D7/691 X
2,163,129	6/1939	Molleson	D7/691 X



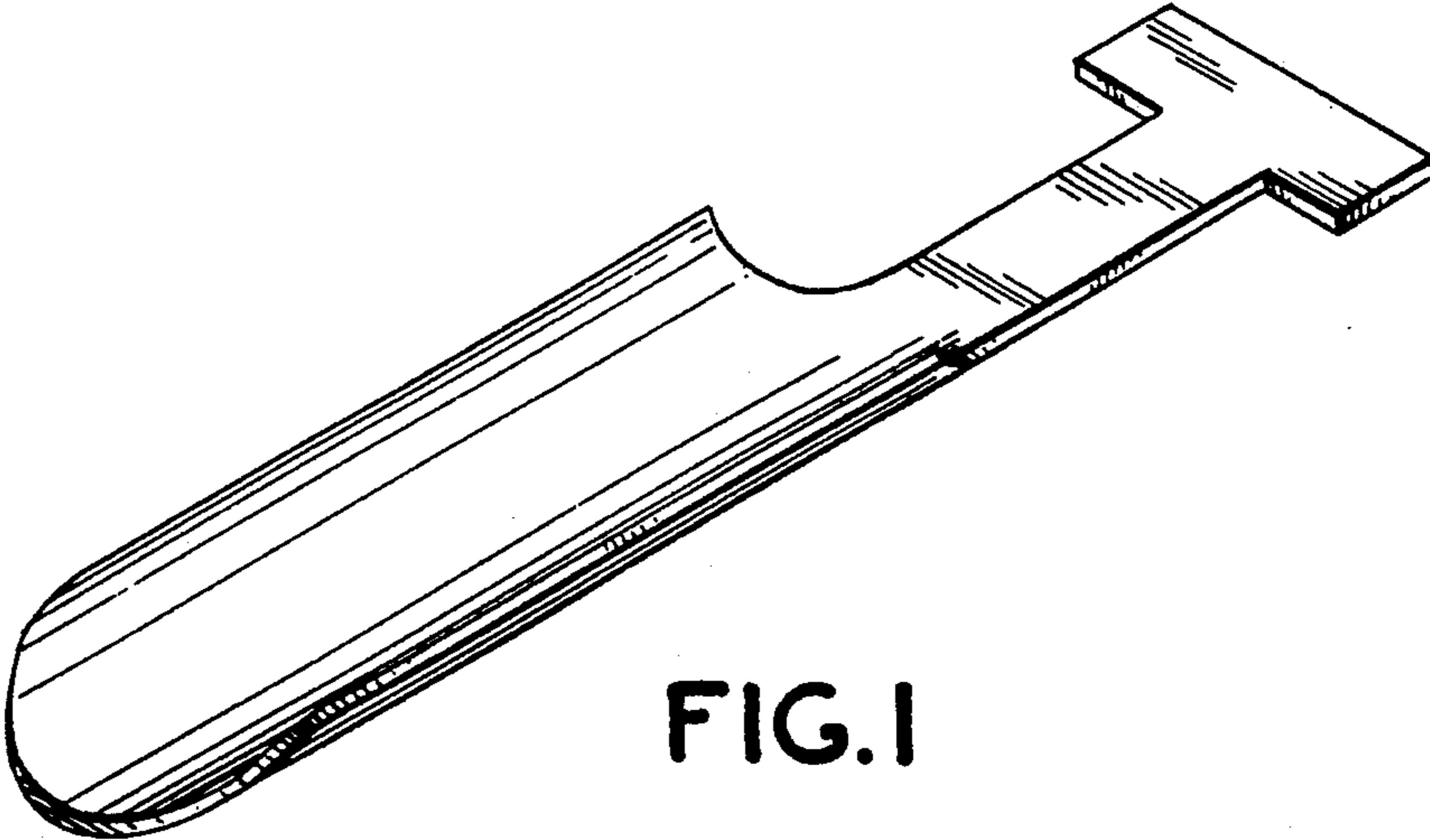


FIG. 1

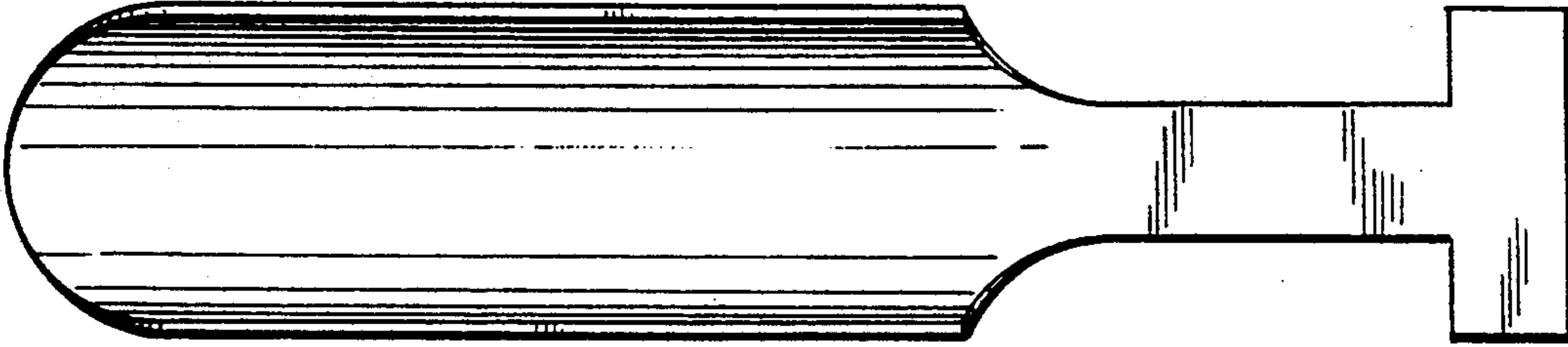


FIG. 2



FIG. 3



FIG. 4

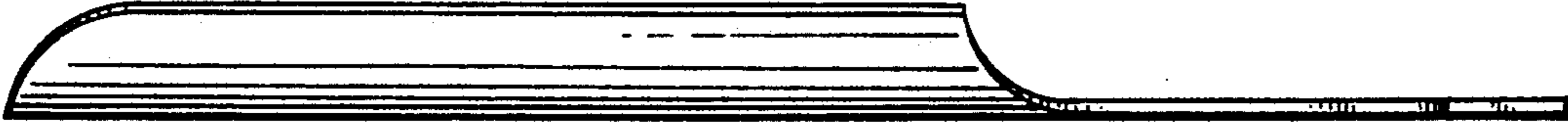


FIG. 5

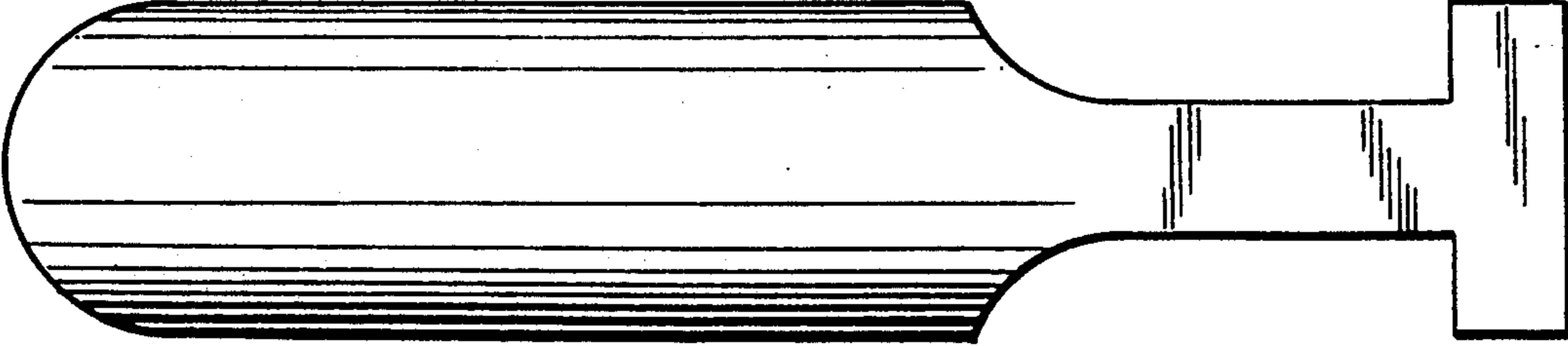


FIG. 6

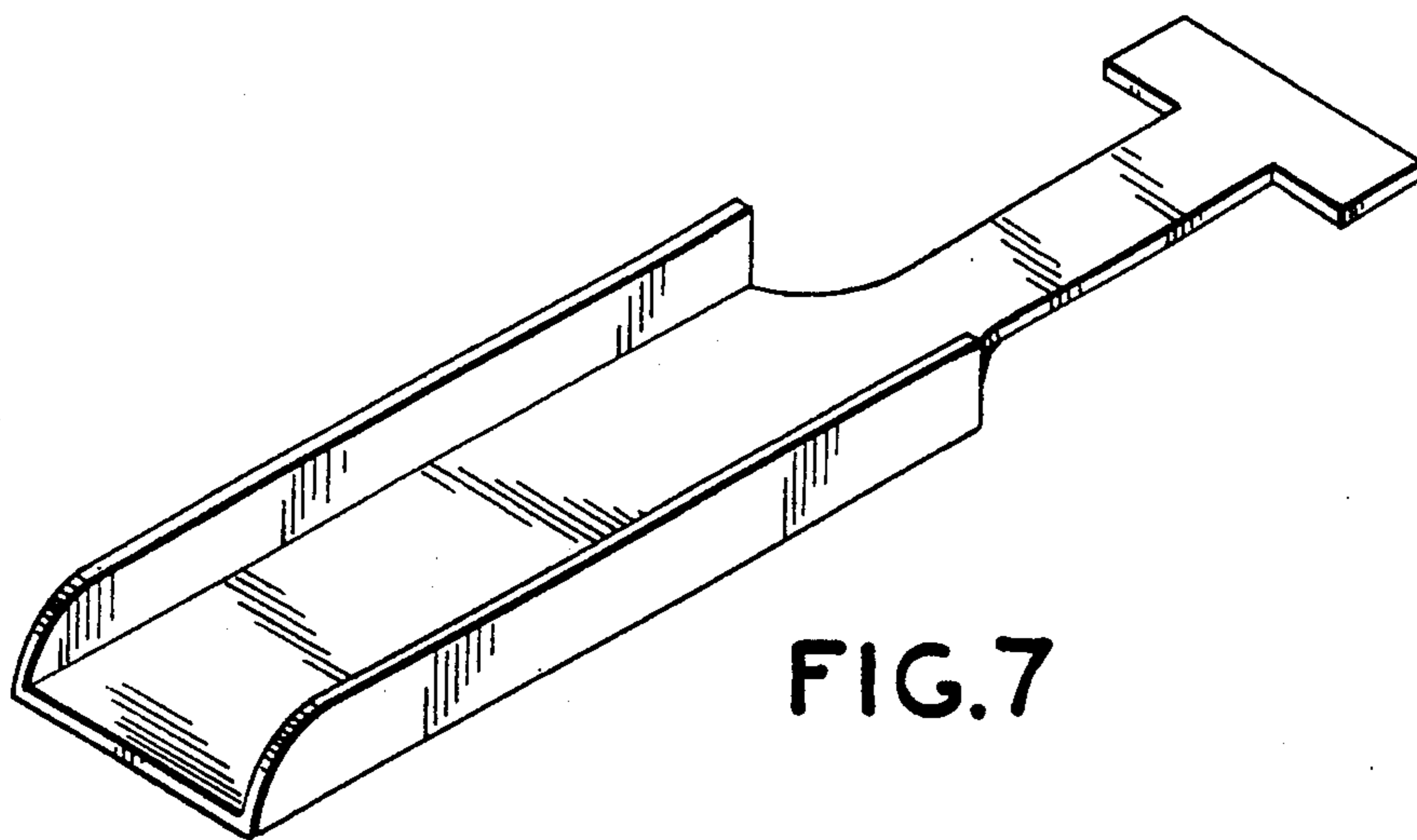


FIG. 7

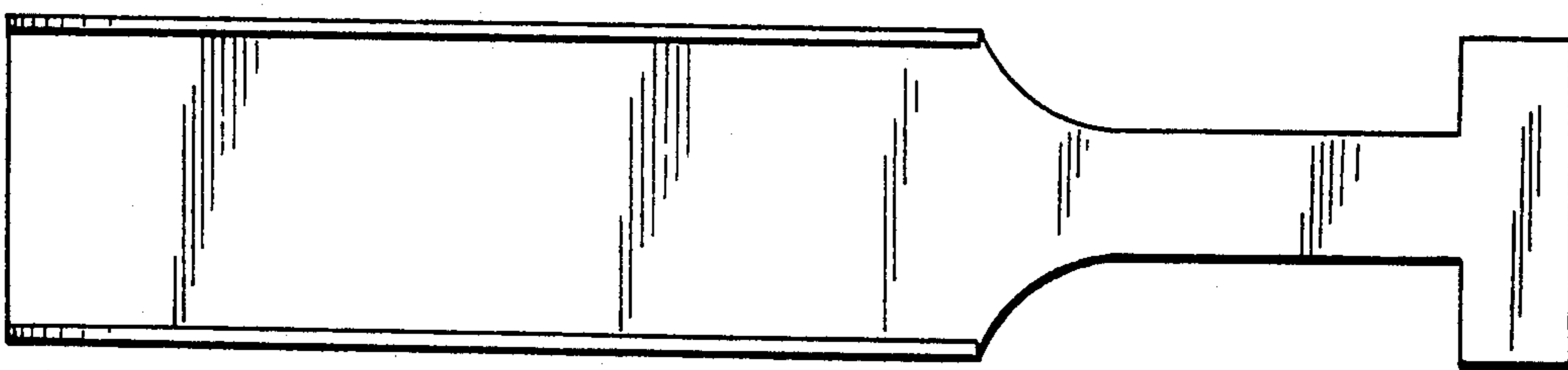


FIG. 8



FIG. 9



FIG. 10

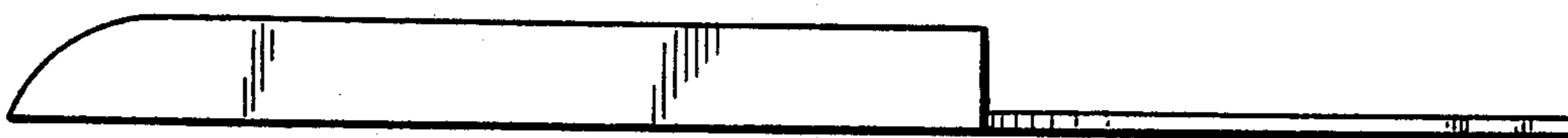


FIG. 11

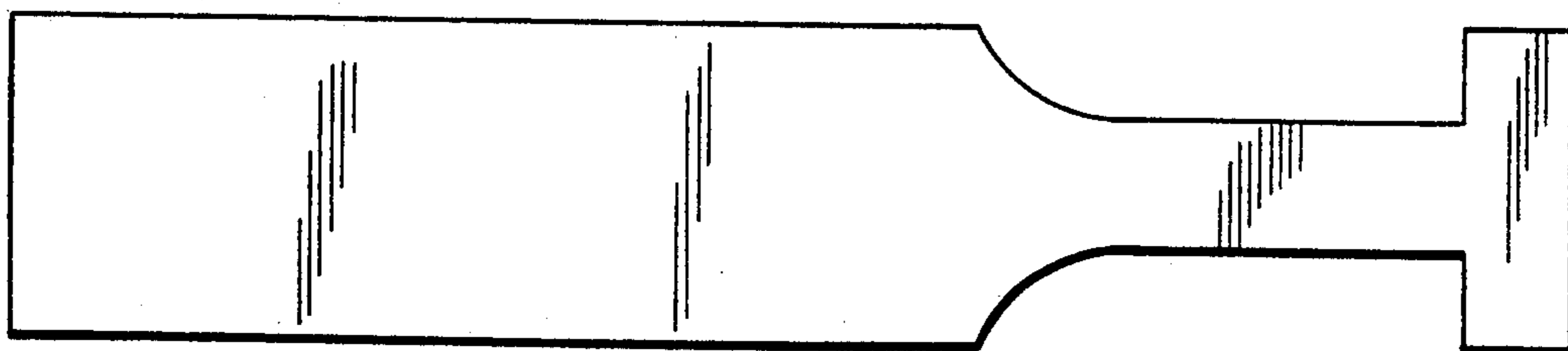


FIG. 12