



US00D326207S

United States Patent [19]

[11] Patent Number: Des. 326,207

Koziol

[45] Date of Patent: ** May 19, 1992

- [54] BARBECUE GRILL
- [75] Inventor: Walter Koziol, Antioch, Ill.
- [73] Assignee: Modern Home Products Corp., Antioch, Ill.
- [**] Term: 14 Years
- [21] Appl. No.: 566,287
- [22] Filed: Aug. 13, 1990
- [52] U.S. Cl. D7/332
- [58] Field of Search D7/332, 334-338, D7/409; 126/25 R, 25 A, 25 AA, 25 B, 29-30, 9 R, 9 B, 38, 37 R; 99/419

Pages 2-6 of a 1987 Thermos brochure entitled "Structo" and Thermos Gas Grills. Undated Charmglow Products one page advertisements showing models 7240, 7230, and 8260. 1987 Charmglow Products advertisements showing models 950B and 538X illustrating 8260, barbecue grill units with central panels.

Primary Examiner—A. Hugo Word
 Assistant Examiner—Ruth McInroy
 Attorney, Agent, or Firm—Quarles & Brady

[57] CLAIM

The ornamental design for a barbecue grill, as shown and described.

[56] References Cited

U.S. PATENT DOCUMENTS

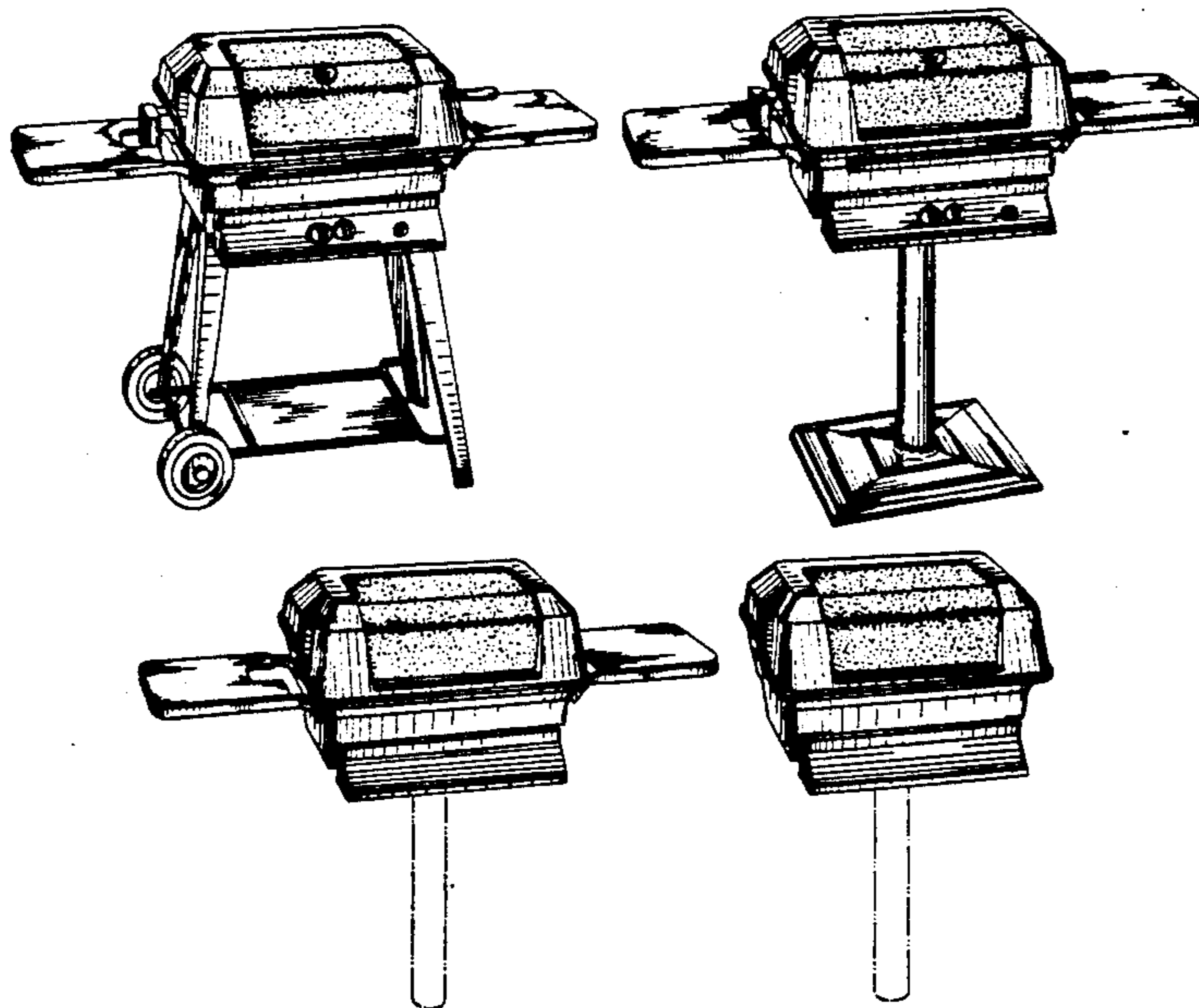
D. 208,681	9/1967	Koziol	D81/10
D. 213,533	3/1969	Koziol	D81/10
D. 214,707	7/1969	Koziol	D81/10
D. 217,580	5/1970	Koziol	D81/10
D. 219,629	12/1970	Koziol	D81/10
D. 260,348	8/1981	Larson	D7/335
D. 287,214	12/1986	Koziol	D7/332
D. 287,215	12/1986	Koziol	D7/332
D. 293,067	12/1987	Stephen et al.	D7/334
3,556,078	1/1971	McGaughey	126/25 R
4,476,849	10/1984	Schmidt	126/25 R
4,924,846	5/1990	Peacock et al.	126/41 R
4,949,701	8/1990	Krosp et al.	126/9 R
5,033,449	7/1991	Hanagan	126/25 A

OTHER PUBLICATIONS

Two, two-page Preway Industries' ads entitled "Dare to Compare".
 Three, two-page Preway Industries' ads entitled "Embermatic, Americas Favorite Gasgrill".
 A four panel Preway brochure entitled "Rated Best Buy In Gasgrills".
 Pages 4-6 and 8-13 of W. C. Bradley 1989 brochure entitled "Series 5000, 6000, 7000, 8000 and 9000".

DESCRIPTION

FIG. 1 is a front perspective view of a barbecue grill showing my new design;
 FIG. 2 is a right side elevational view thereof, the left side being a mirror image;
 FIG. 3 is a rear elevational view thereof;
 FIG. 4 is a top plan view thereof;
 FIG. 5 is a front perspective view of a second embodiment thereof;
 FIG. 6 is a right side elevational view thereof, the left side being a mirror image;
 FIG. 7 is a rear elevational view thereof;
 FIG. 8 is a front perspective view of a third embodiment thereof;
 FIG. 9 is a right side elevational view thereof, the left side being a mirror image;
 FIG. 10 is a rear elevational view thereof;
 FIG. 11 is a front perspective view of a fourth embodiment thereof;
 FIG. 12 is a right side elevational view thereof, the left side being a mirror image; and,
 FIG. 13 is a rear elevational view thereof.
 The post is shown in broken lines in FIGS. 8-13 for illustrative purposes only and forms no part of the claimed design.



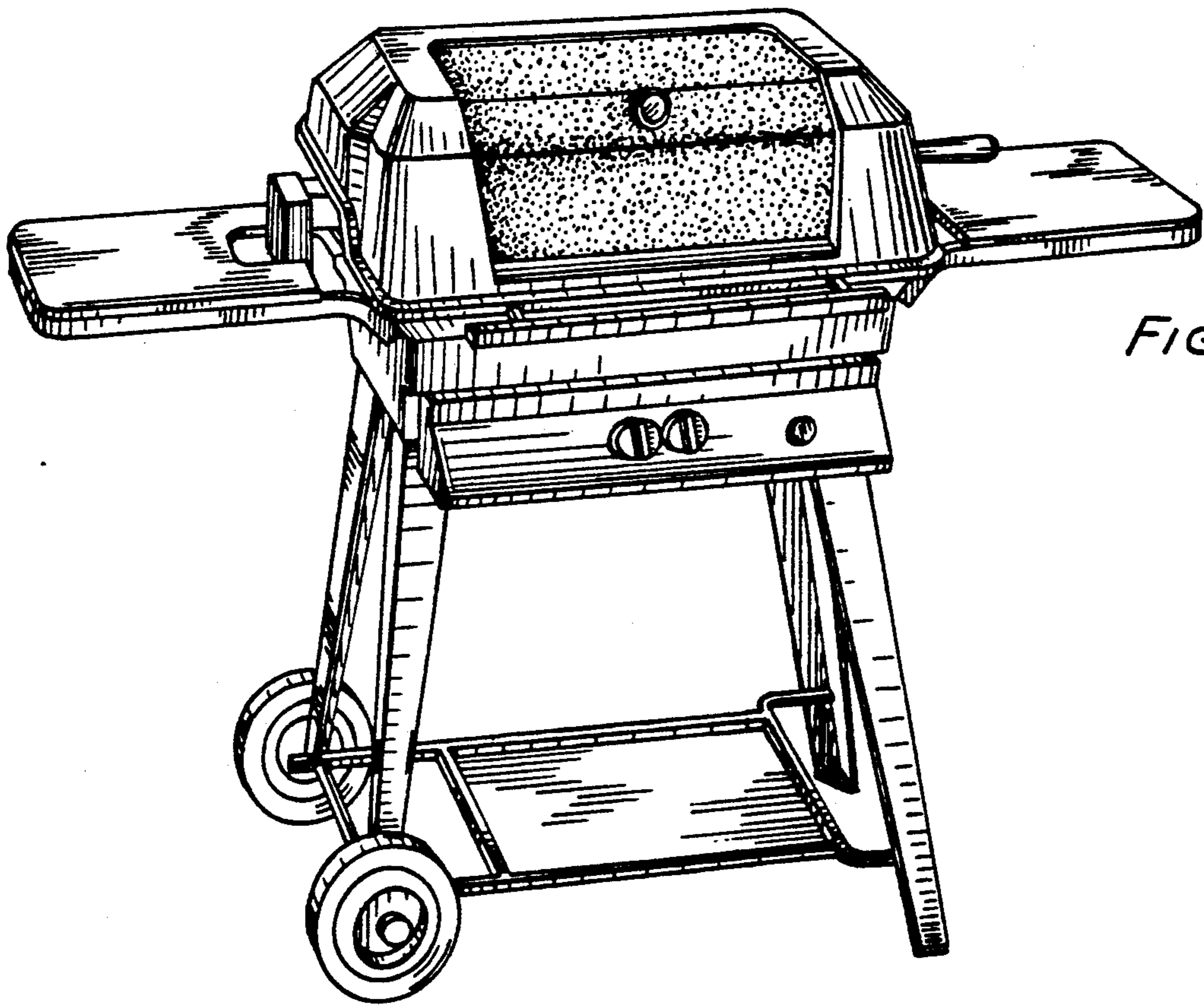


FIG. 1.

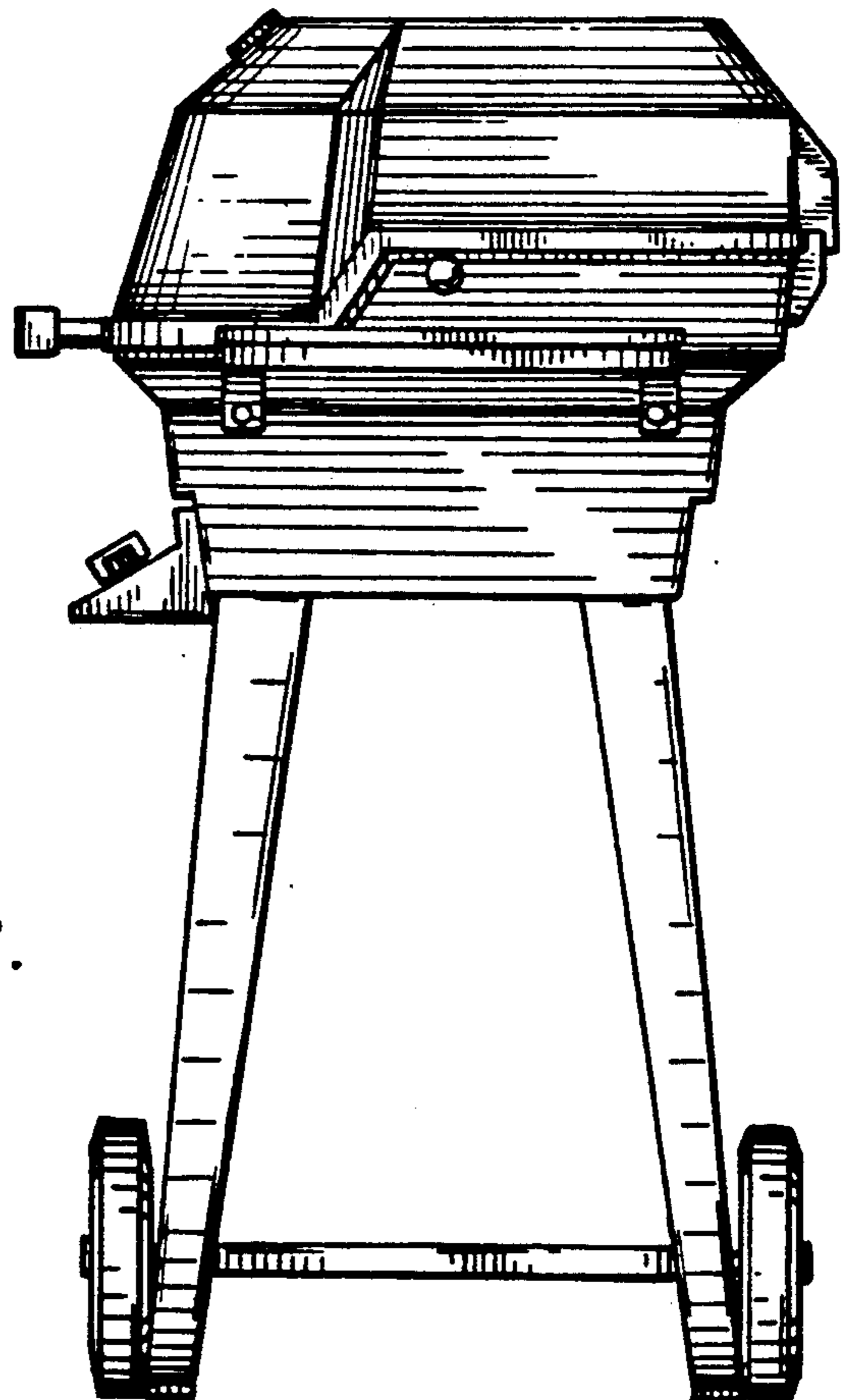


FIG. 2.

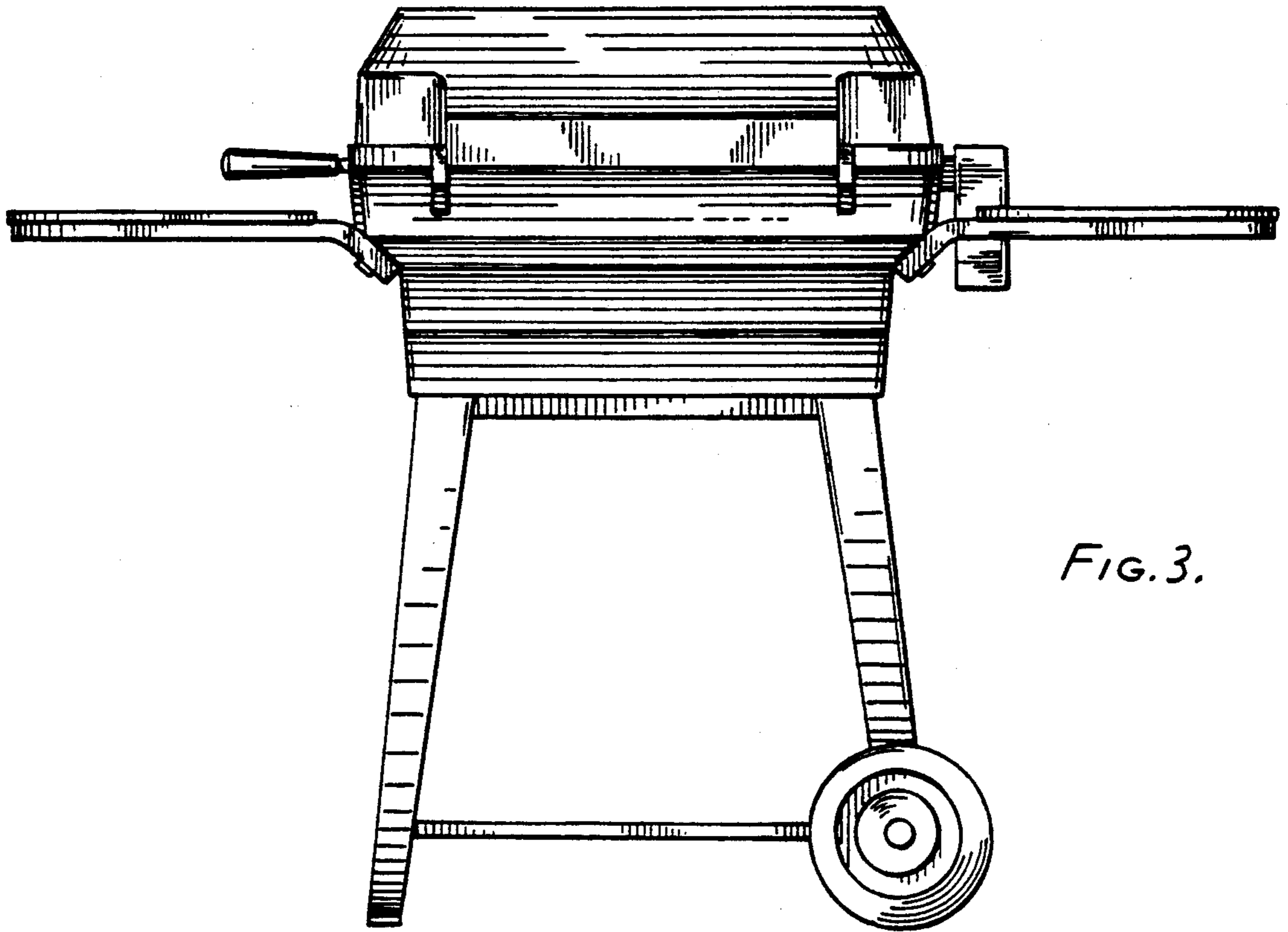


FIG. 3.

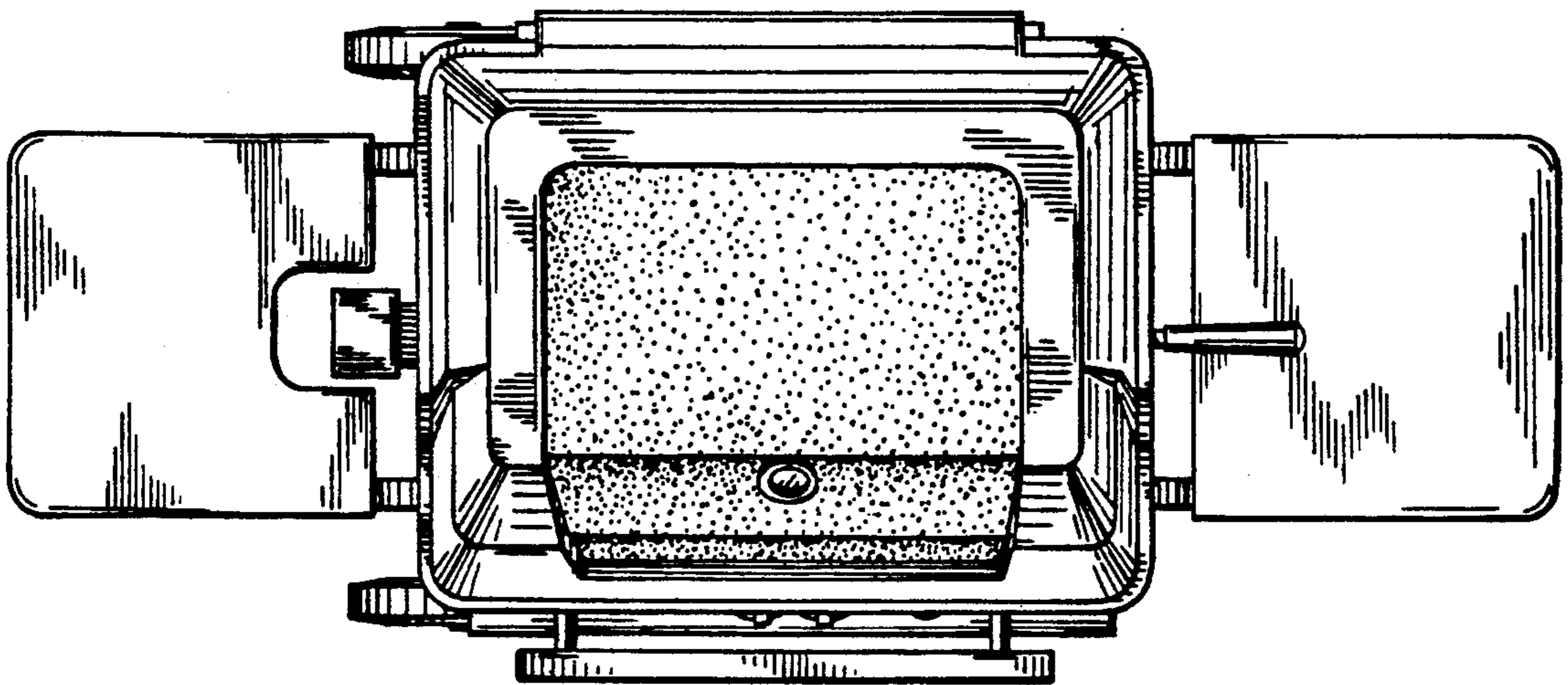


FIG. 4.

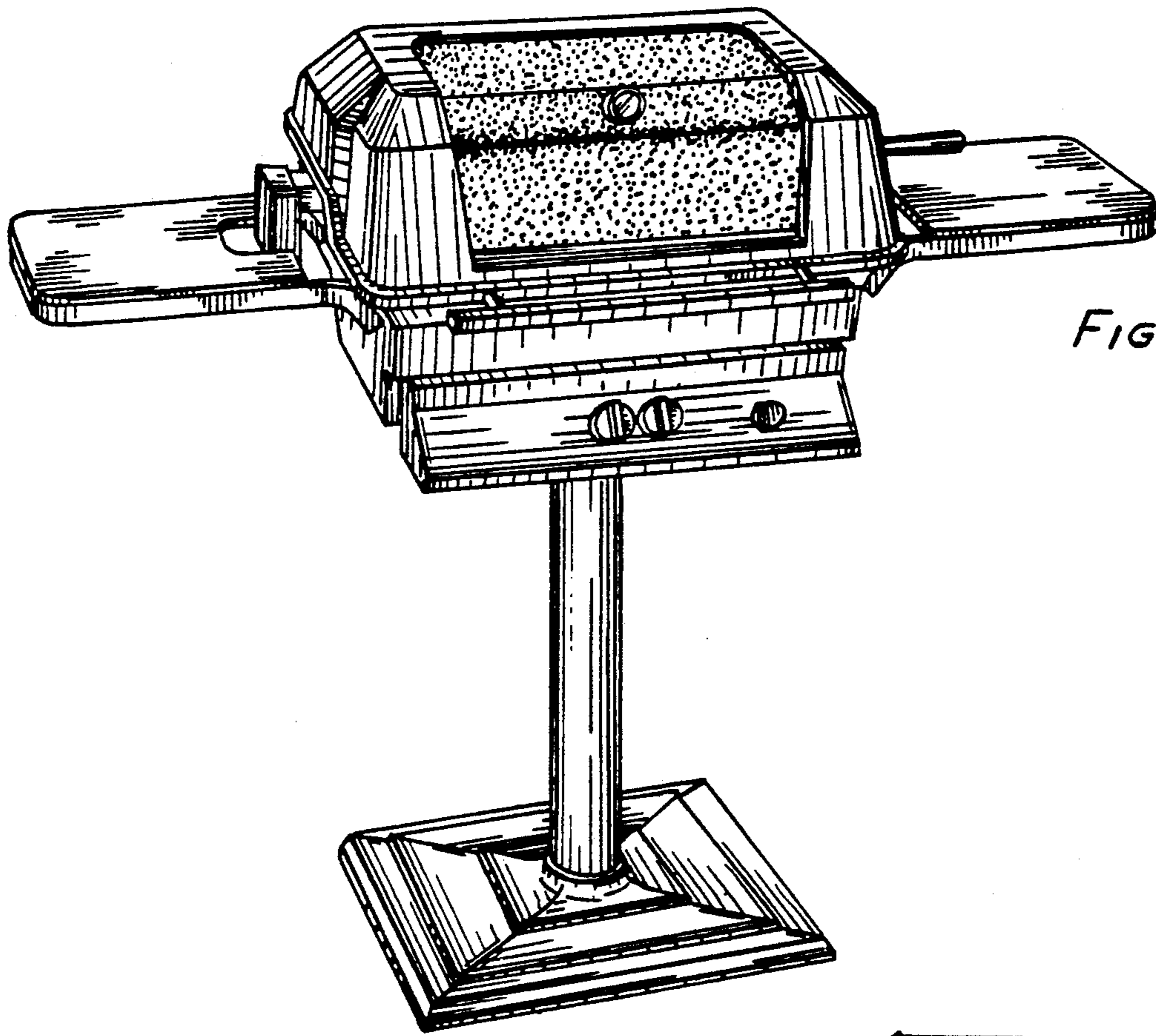


FIG. 5.

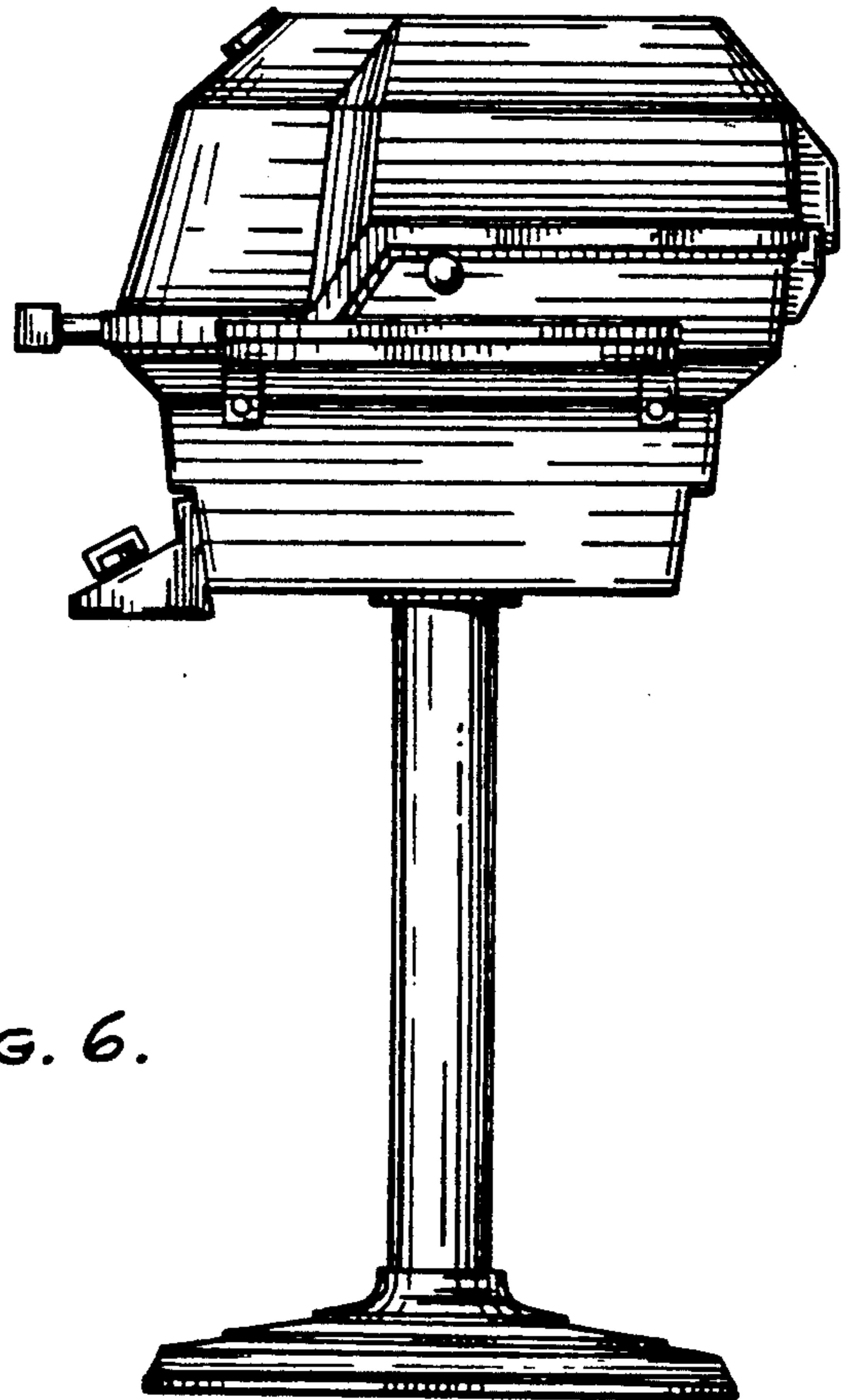


FIG. 6.

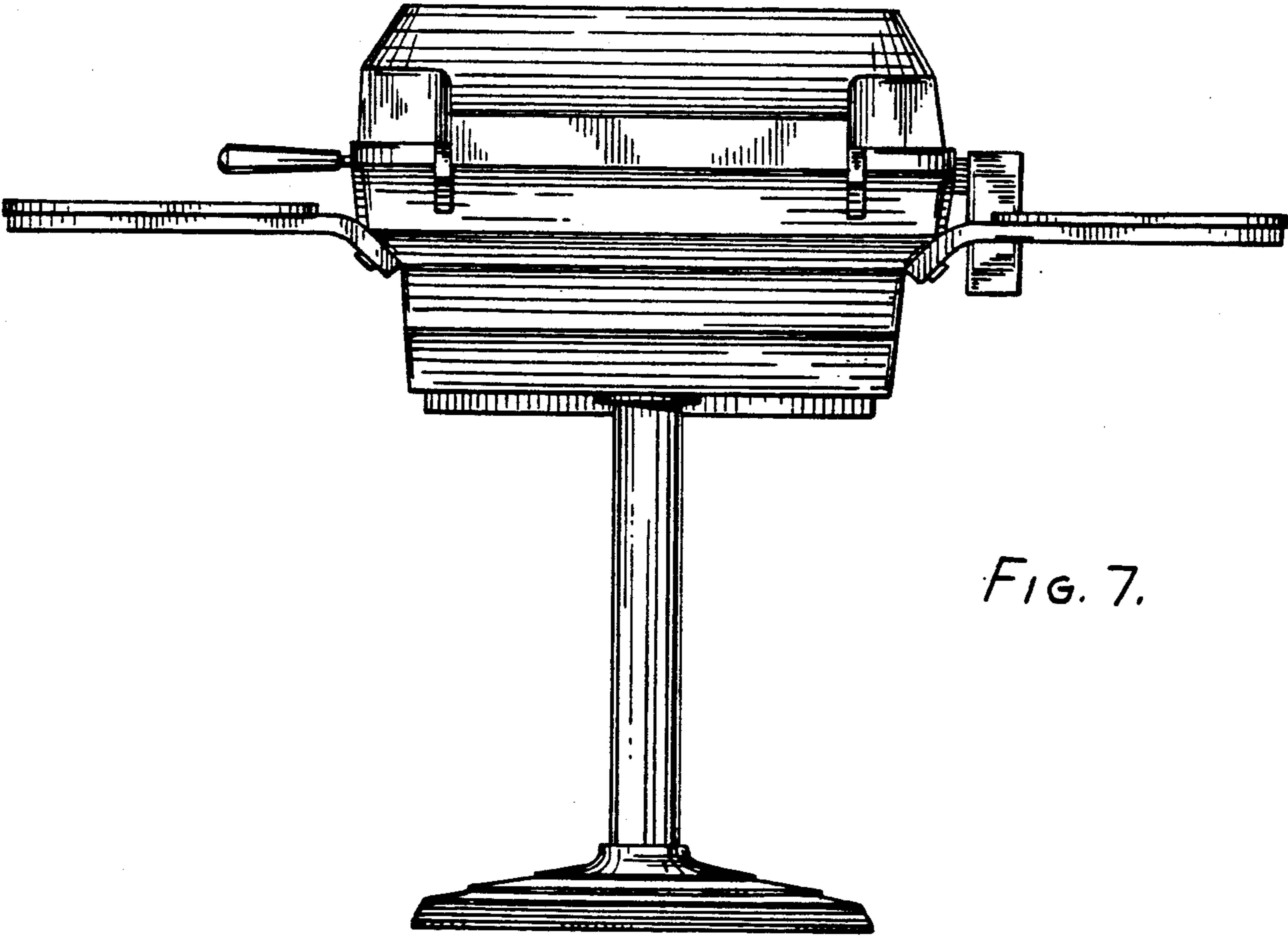
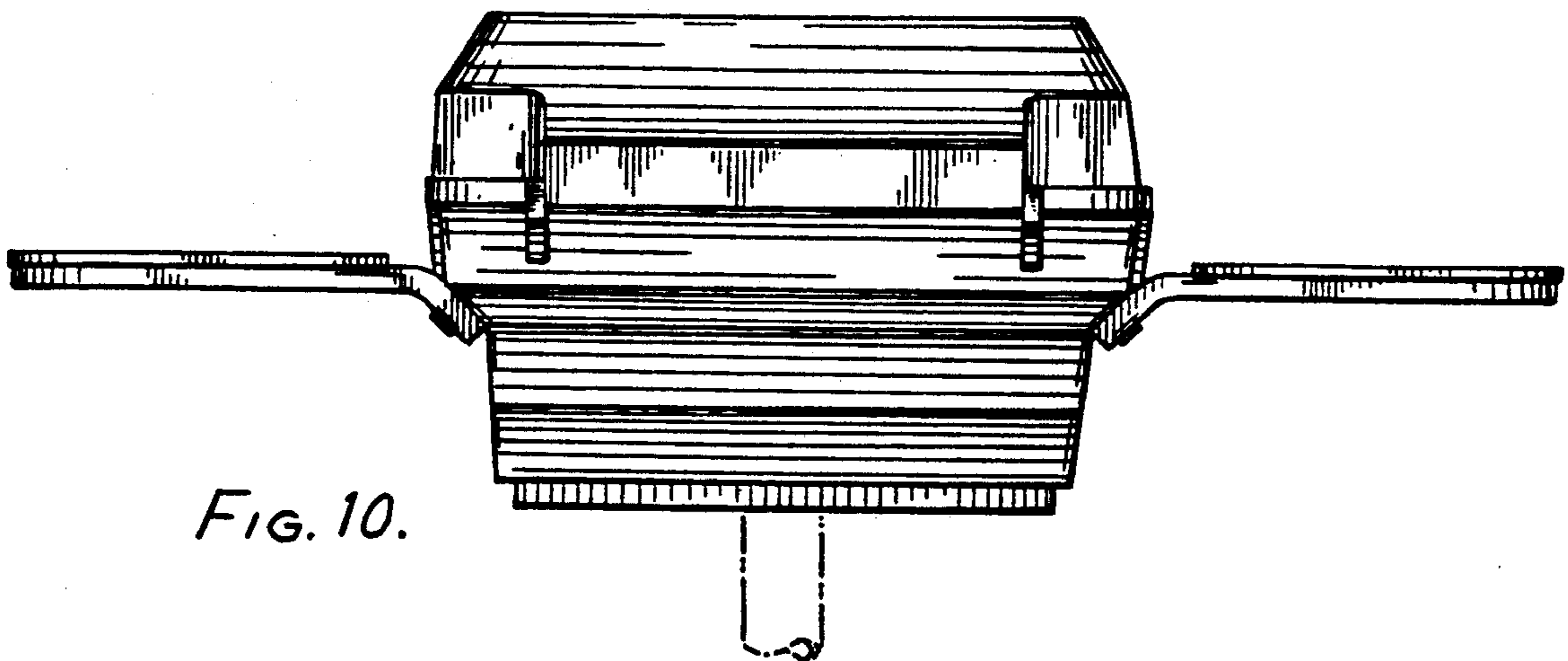
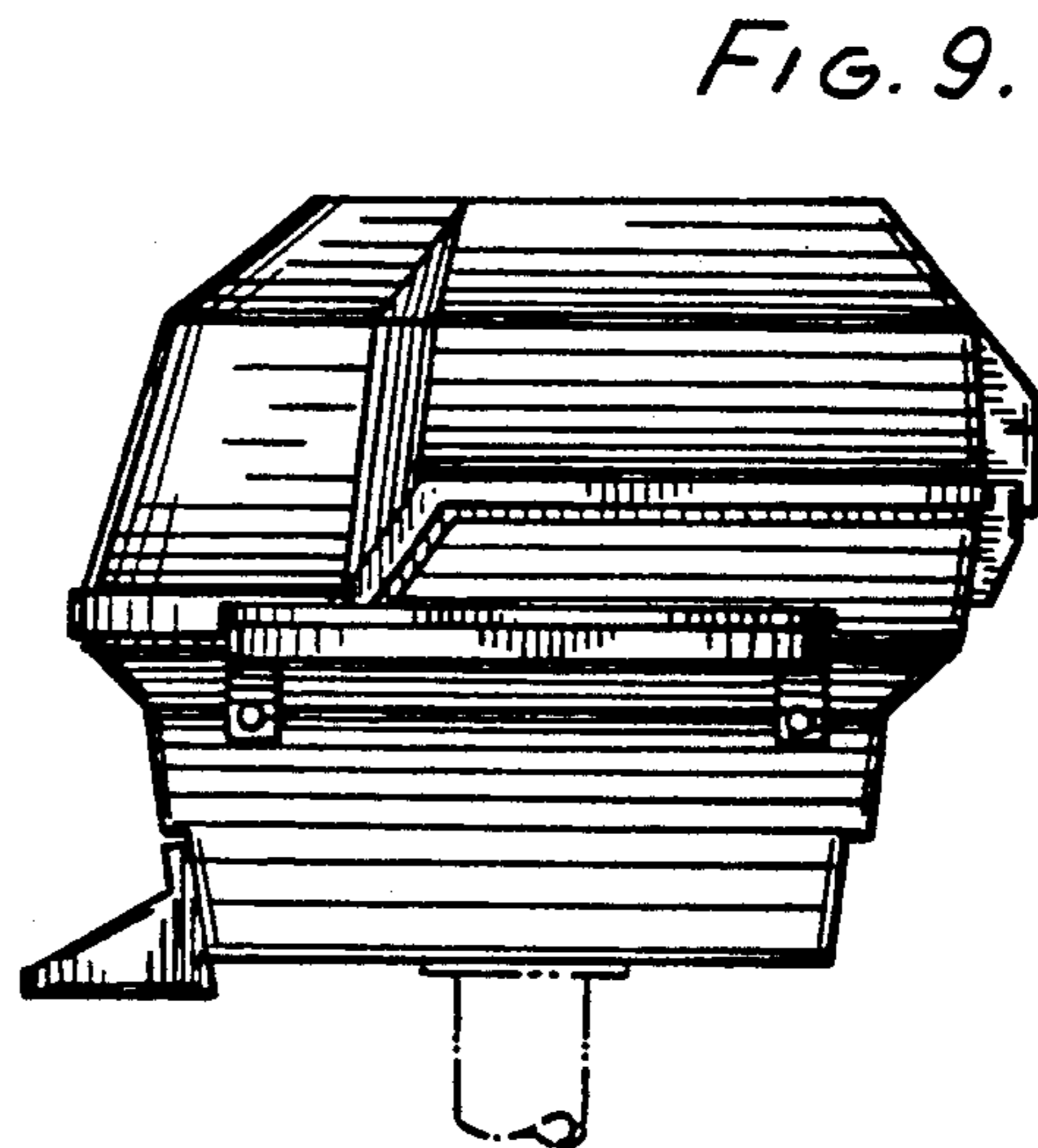
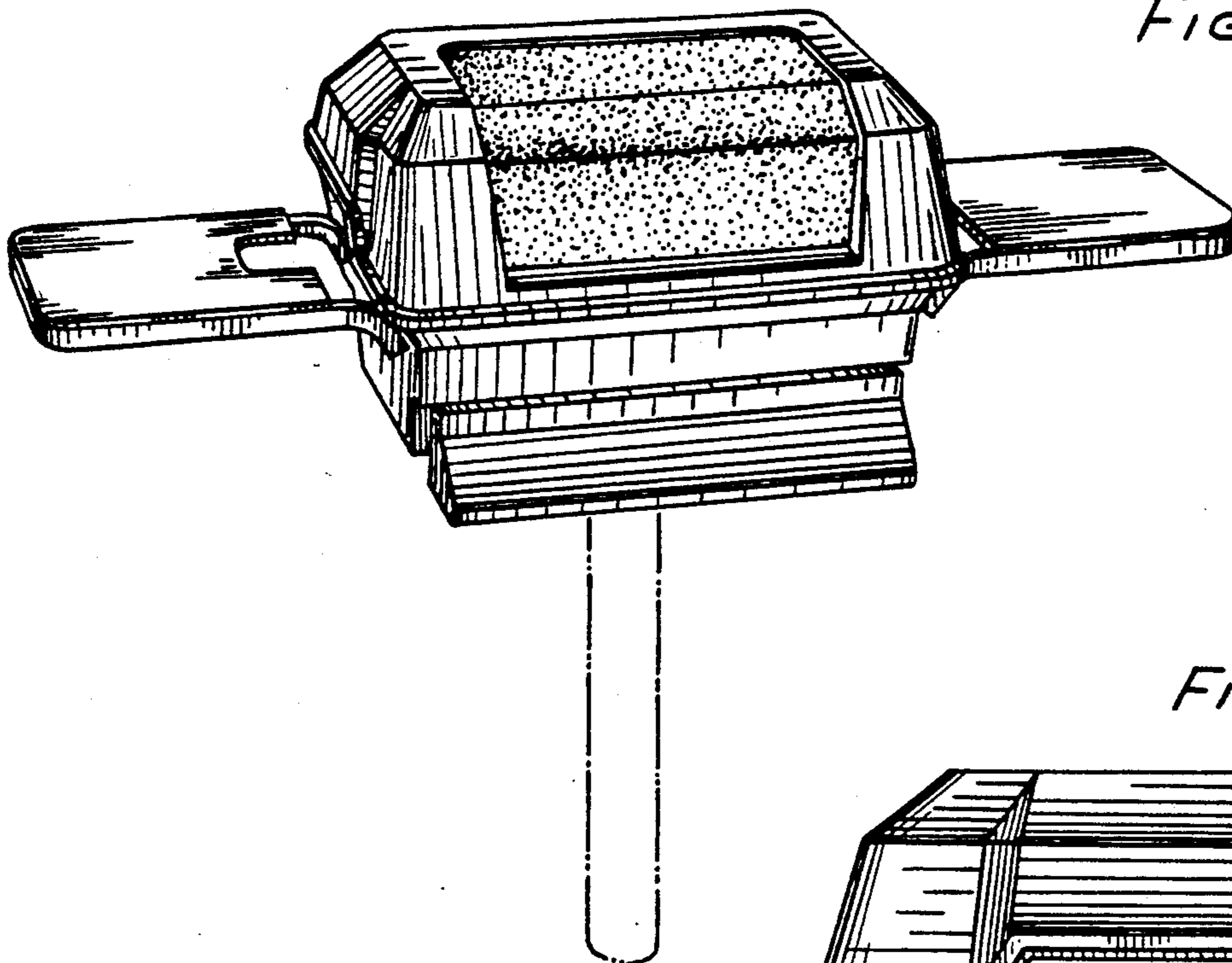


FIG. 7.



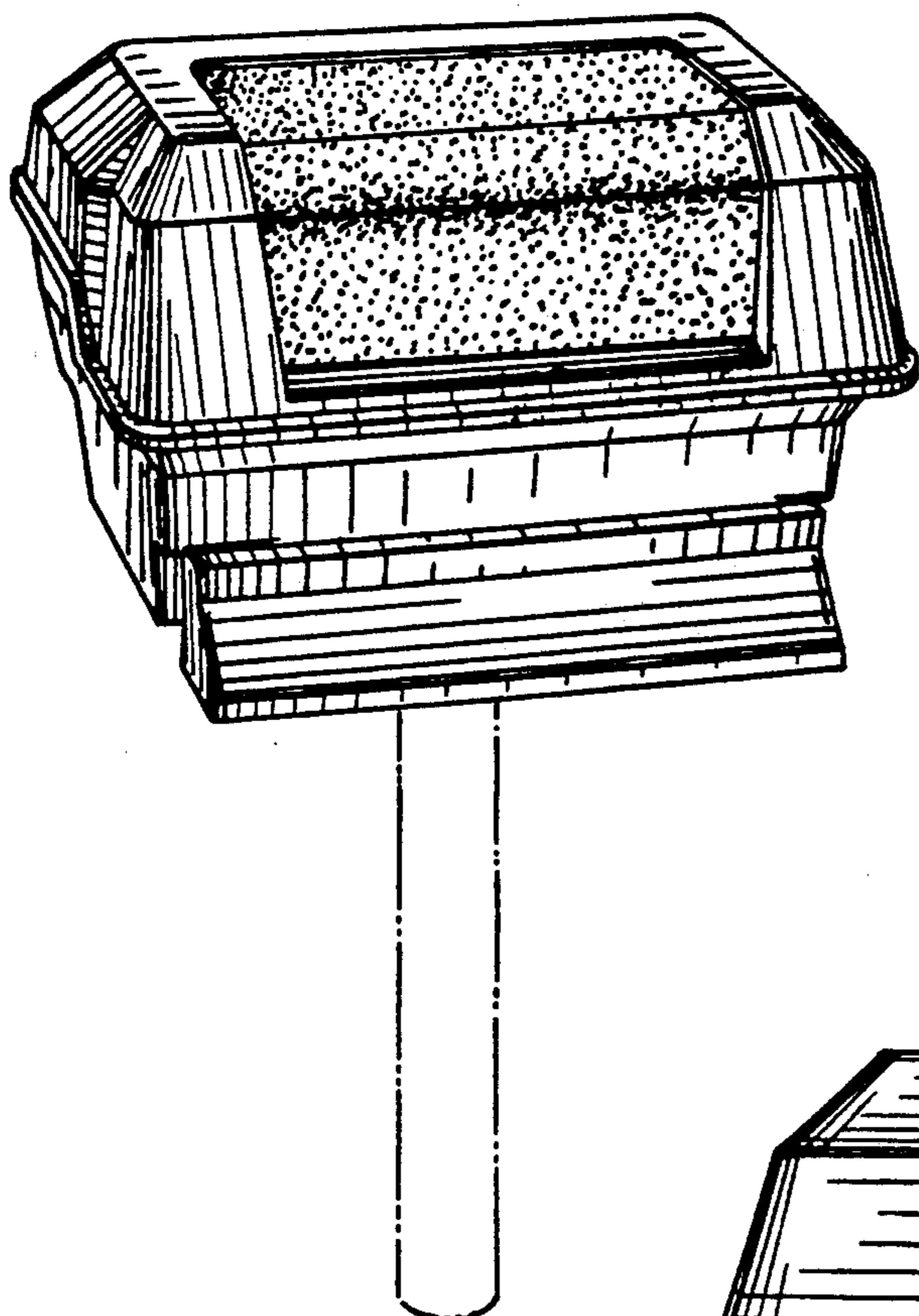


FIG. 11.

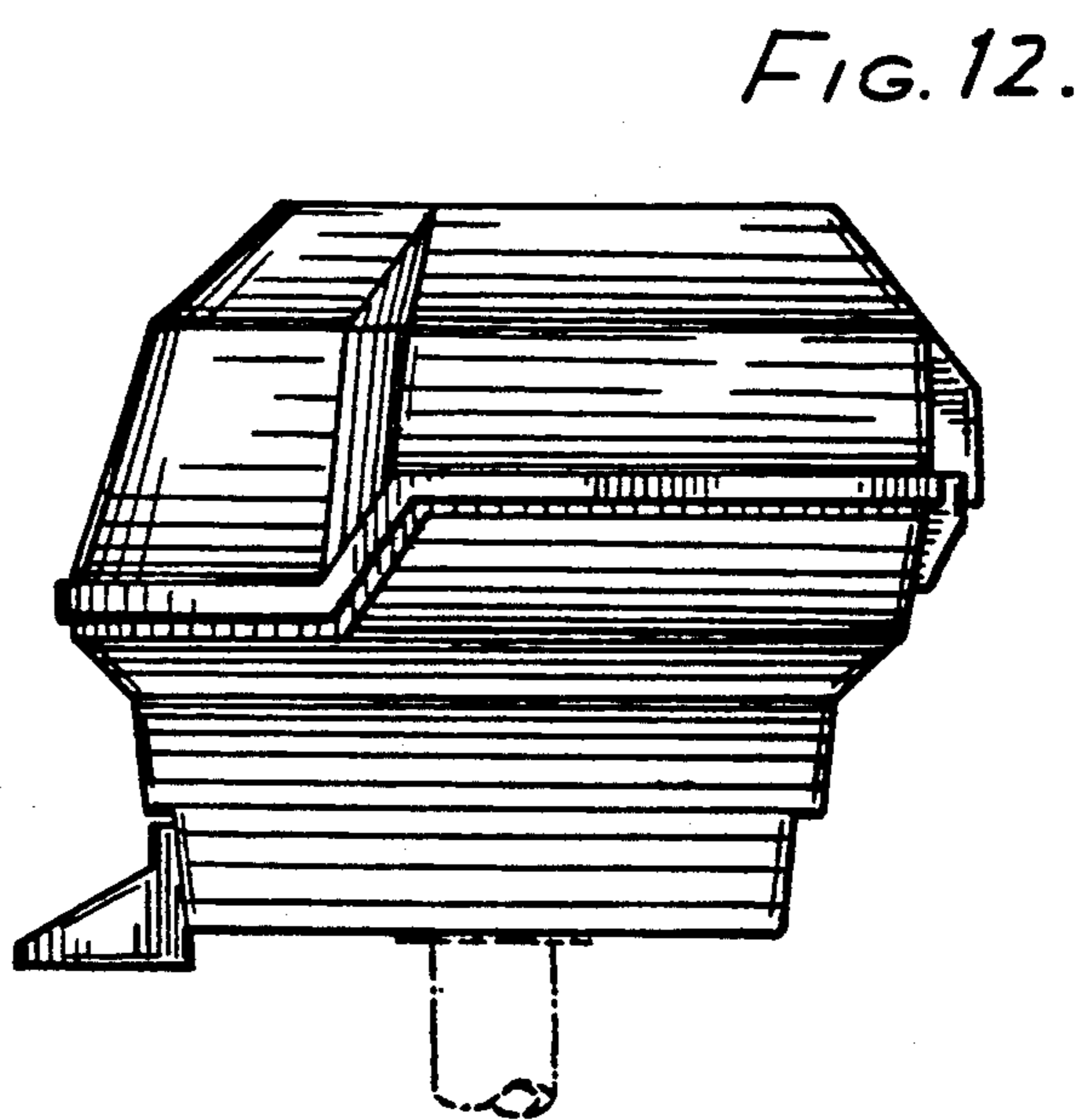


FIG. 12.

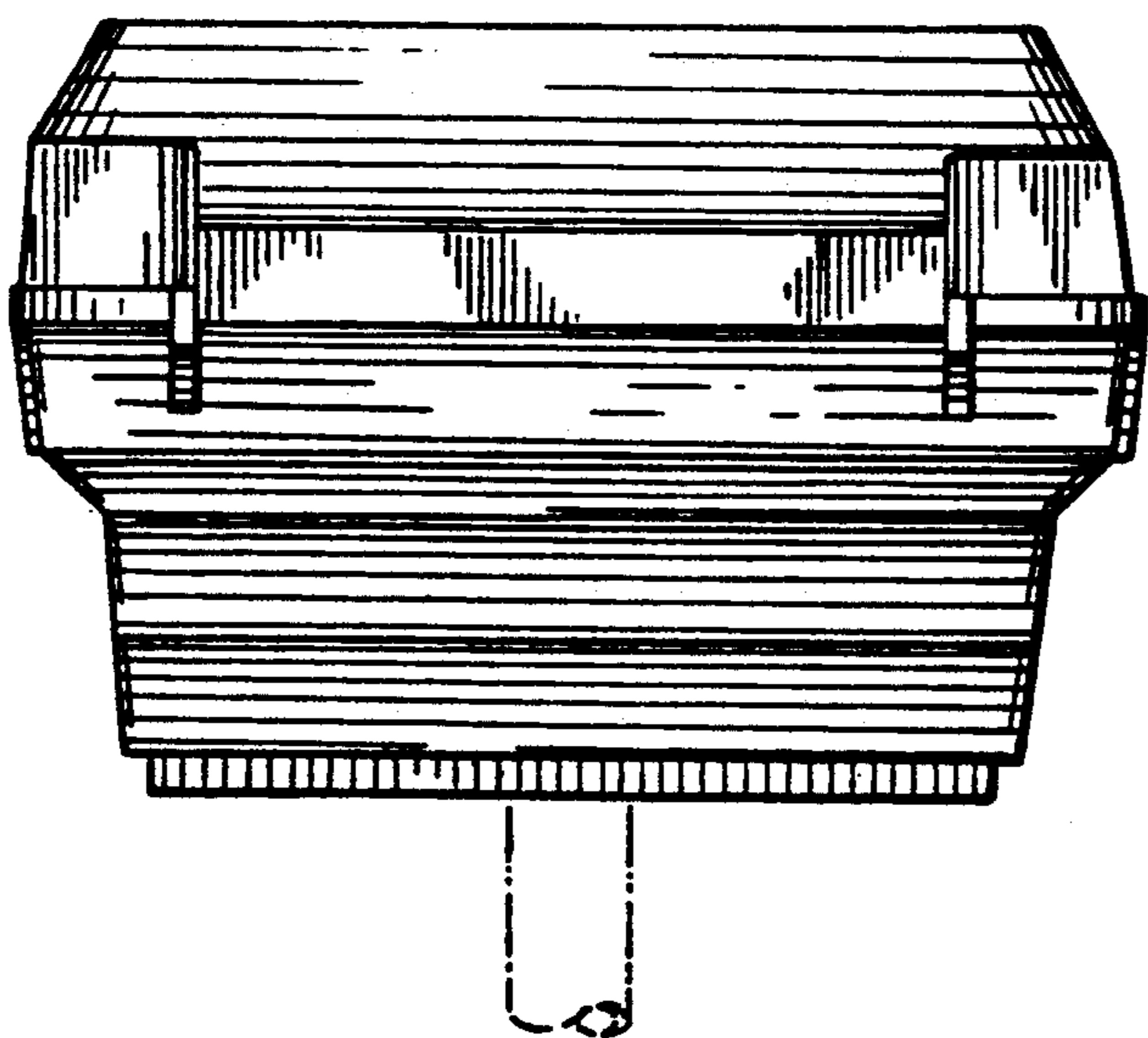


FIG. 13.