



US00D326202S

United States Patent [19]

[11] Patent Number: **Des. 326,202**

Rupp

[45] Date of Patent: **** May 19, 1992**

[54] **CORNER CONNECTOR FOR USE IN THE CONSTRUCTION OF A DRAWER**

Assistant Examiner—Janice E. Seeger
Attorney, Agent, or Firm—Wenderoth, Lind & Ponack

[75] Inventor: **Reinhold Rupp**, Langenau, Fed. Rep. of Germany

[57] **CLAIM**

The ornamental design for a corner connector for use in the construction of a drawer, as shown and described.

[73] Assignee: **Julius Blum Gesellschaft m.b.H.**, Höchst, Fed. Rep. of Germany

DESCRIPTION

[**] Term: **14 Years**

FIG. 1 is a perspective view of a corner connector for use in the construction of a drawer, showing my new design;

[21] Appl. No.: **321,741**

FIG. 2 is a left side elevational view thereof;

[22] Filed: **Mar. 10, 1989**

FIG. 3 is a rear elevational view thereof;

[30] **Foreign Application Priority Data**

Sep. 13, 1988 [AT] Austria 27585/456

FIG. 4 is a top plan view thereof;

Sep. 13, 1988 [AT] Austria 27588/456

FIG. 5 is a right side elevational view thereof;

[52] U.S. Cl. **D6/510; D6/491**

FIG. 6 is a front elevational view thereof;

[58] Field of Search **D6/491, 492, 494, 495, D6/500-502, 509-511**

FIG. 7 is a bottom plan view thereof;

FIG. 8 is a perspective view of a corner connector for use in the construction of a drawer, showing an alternate embodiment of my new design;

[56] **References Cited**

U.S. PATENT DOCUMENTS

D. 265,959 8/1982 Blum et al. D6/509

FIG. 9 is a left side elevational view thereof;

D. 276,682 12/1984 Hardy D6/510

FIG. 10 is a rear elevational view thereof;

D. 277,156 1/1985 Hardy D6/510

FIG. 11 is a top plan view thereof;

3,883,257 5/1975 Delafield D6/495 X

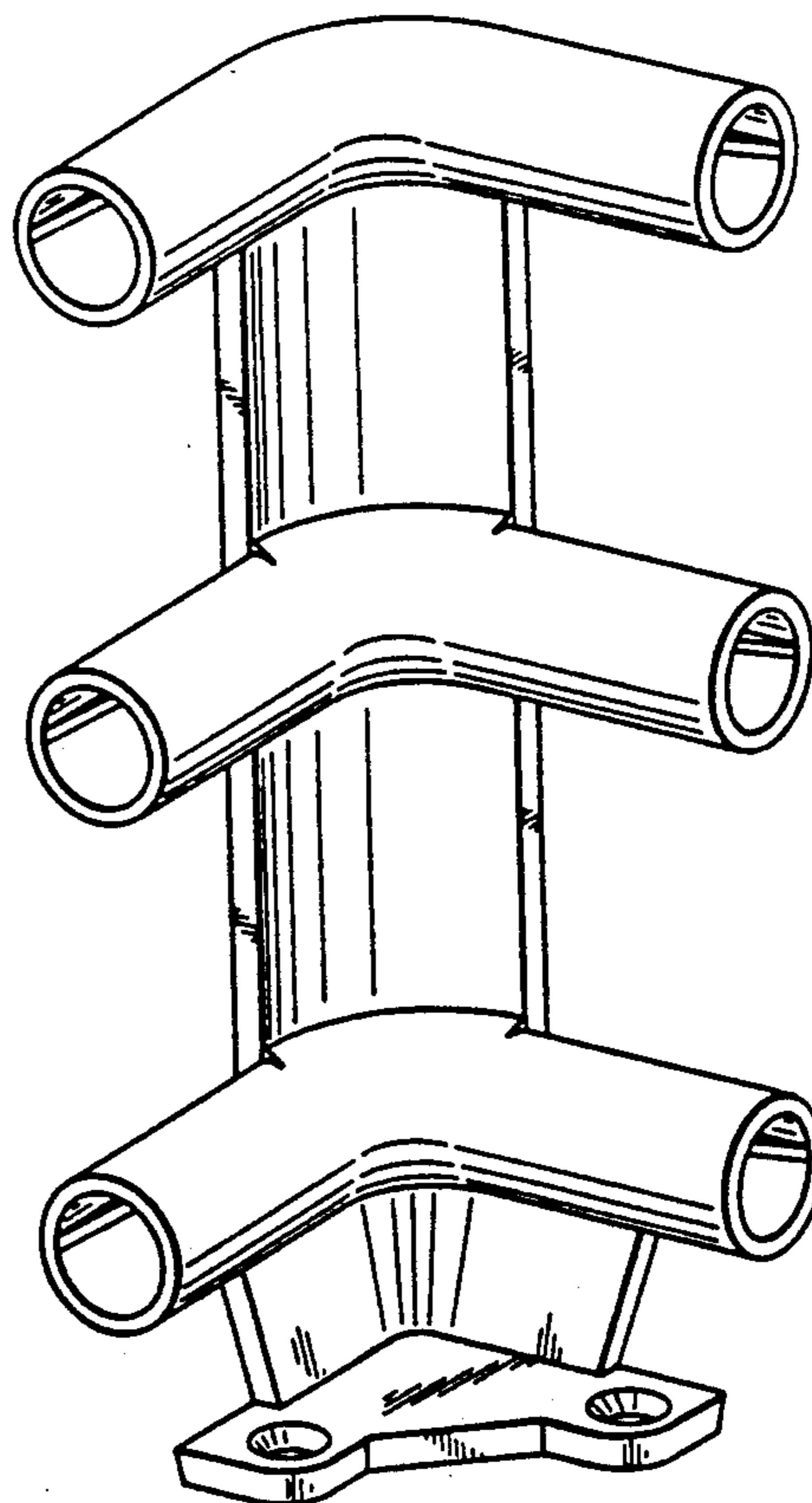
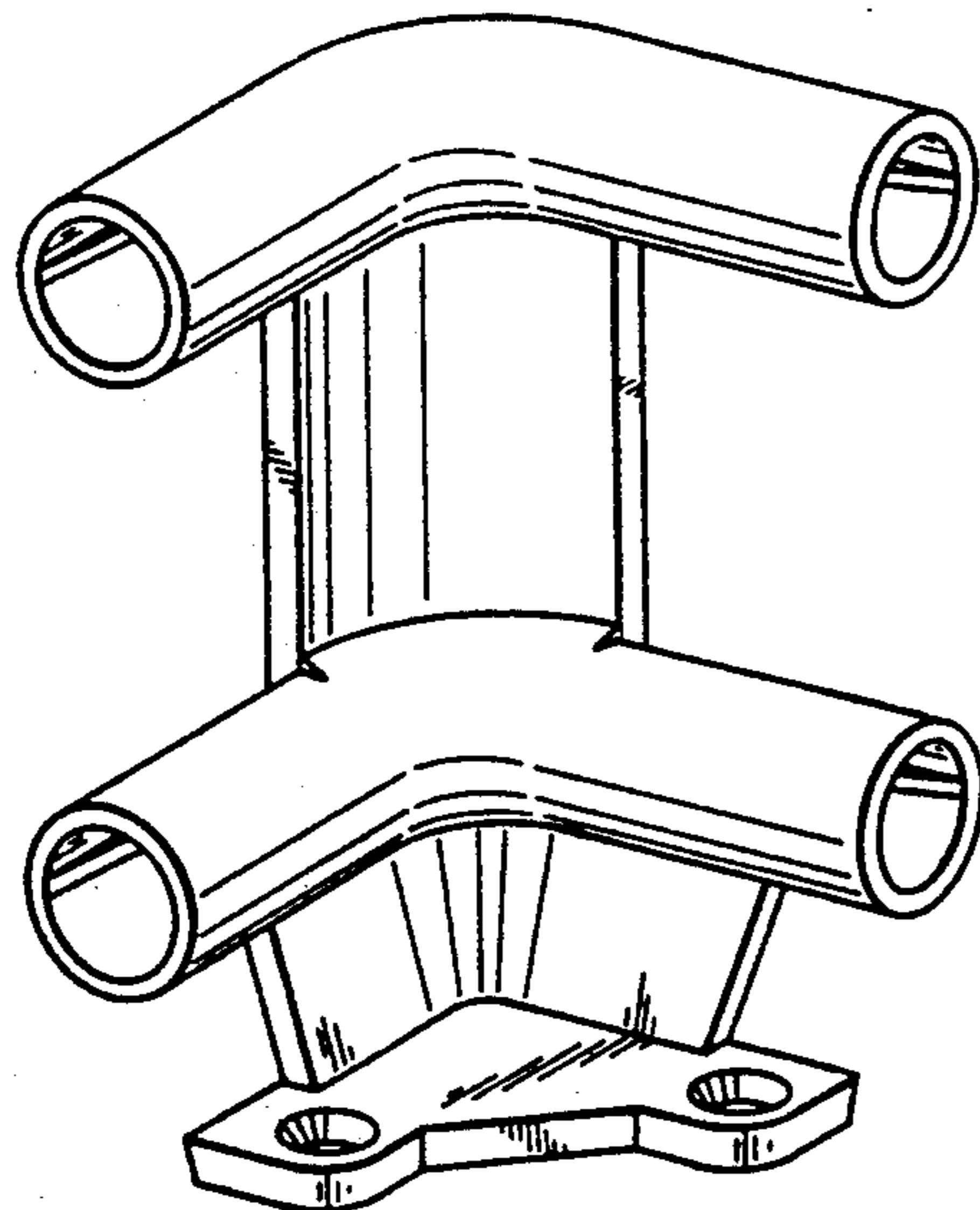
FIG. 12 is a right side elevational side thereof;

FIG. 13 is a front elevational view thereof;

FIG. 14 is a bottom plan view thereof; and,

FIG. 15 is a perspective view of the corner connector of FIG. 1, showing the side not shown in FIG. 1.

Primary Examiner—Donald P. Walsh



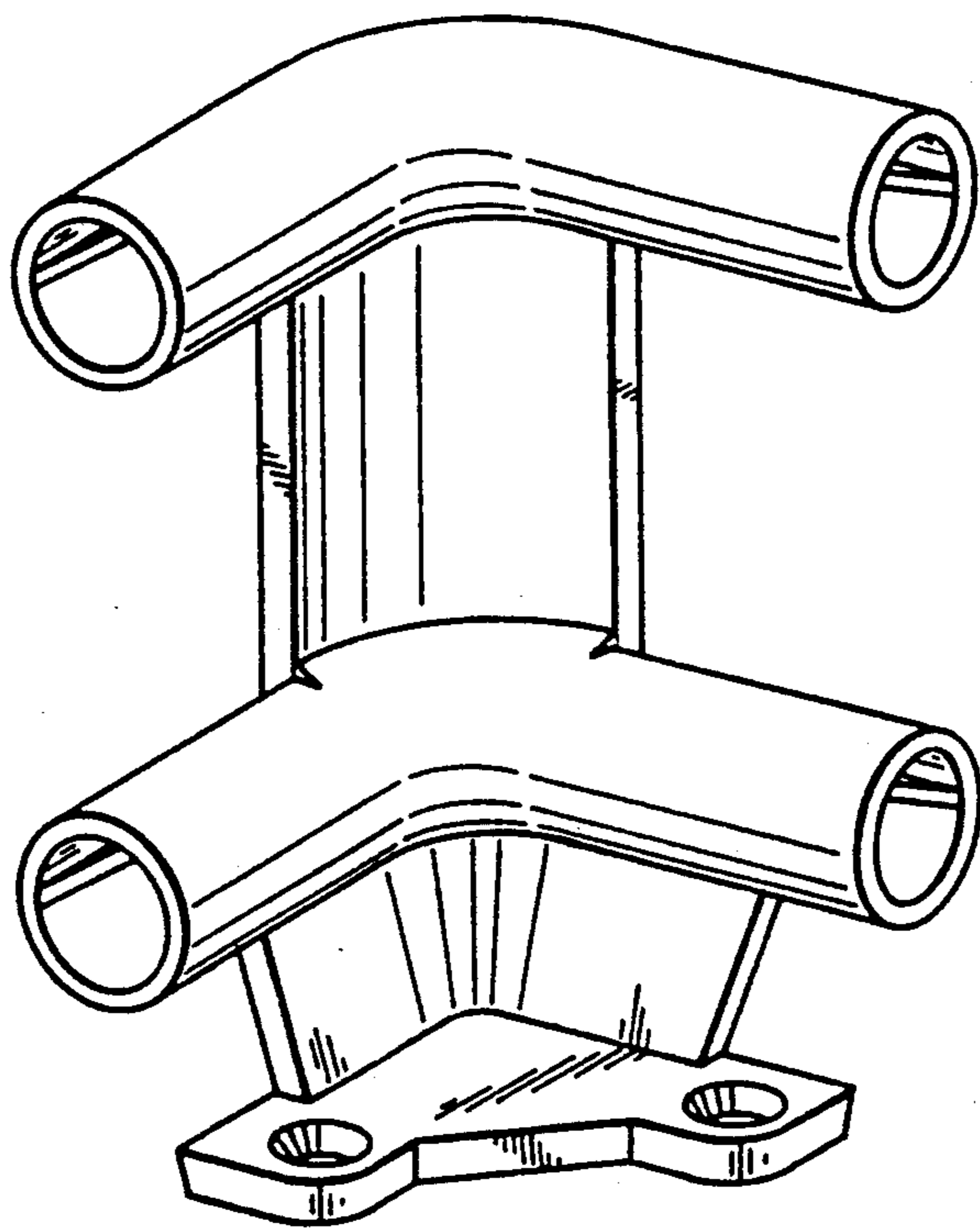


Fig. 1

Fig. 2

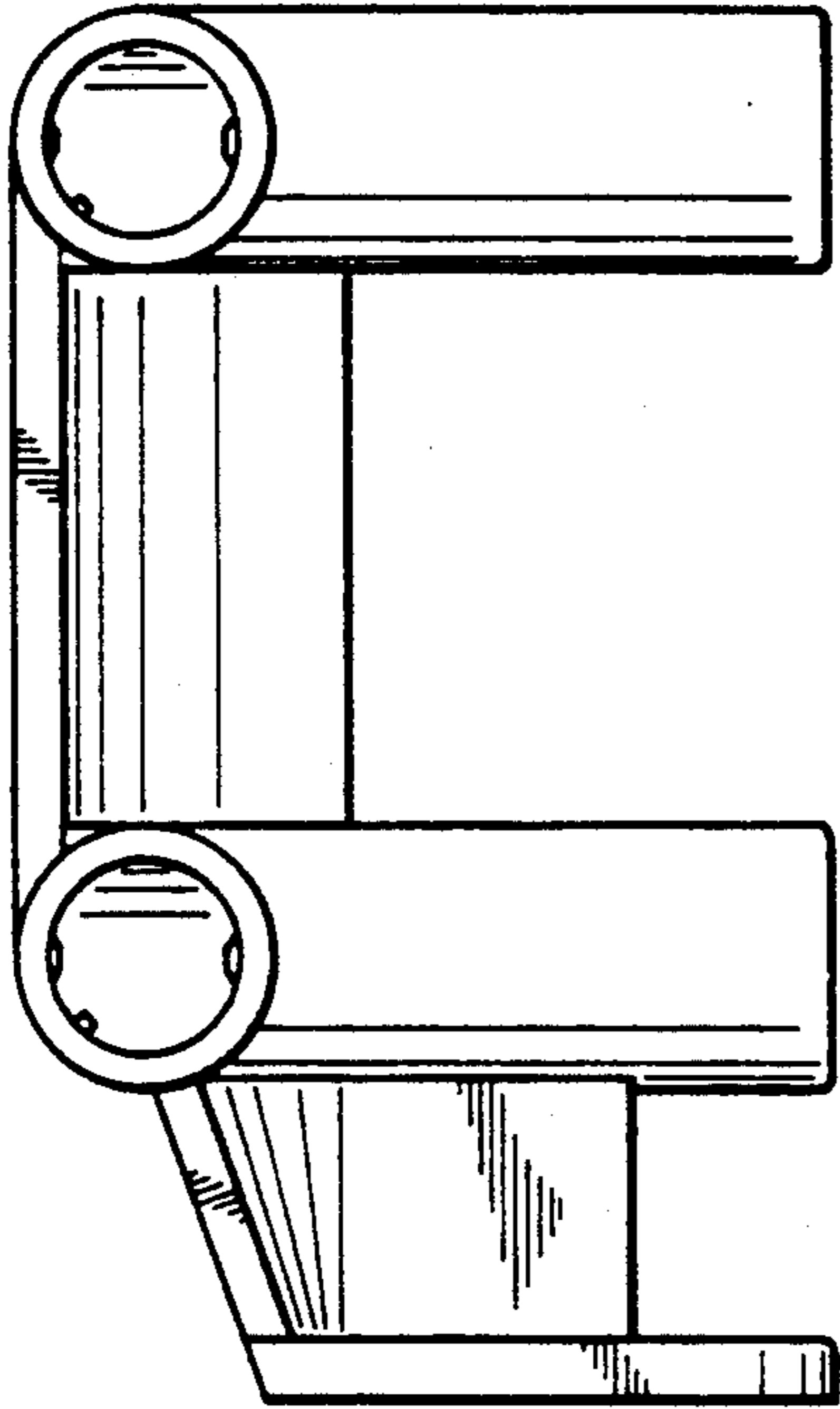


Fig. 3

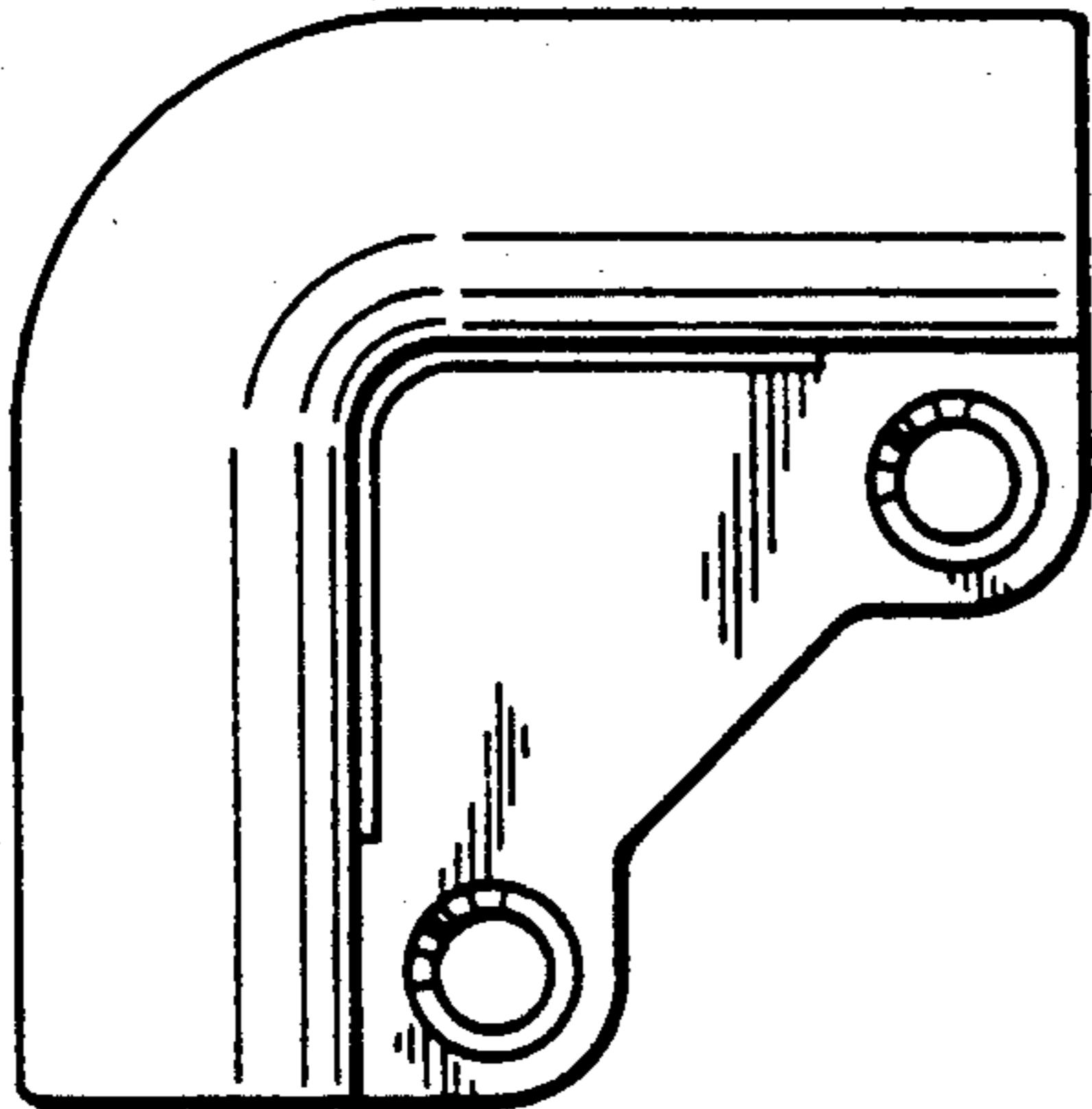
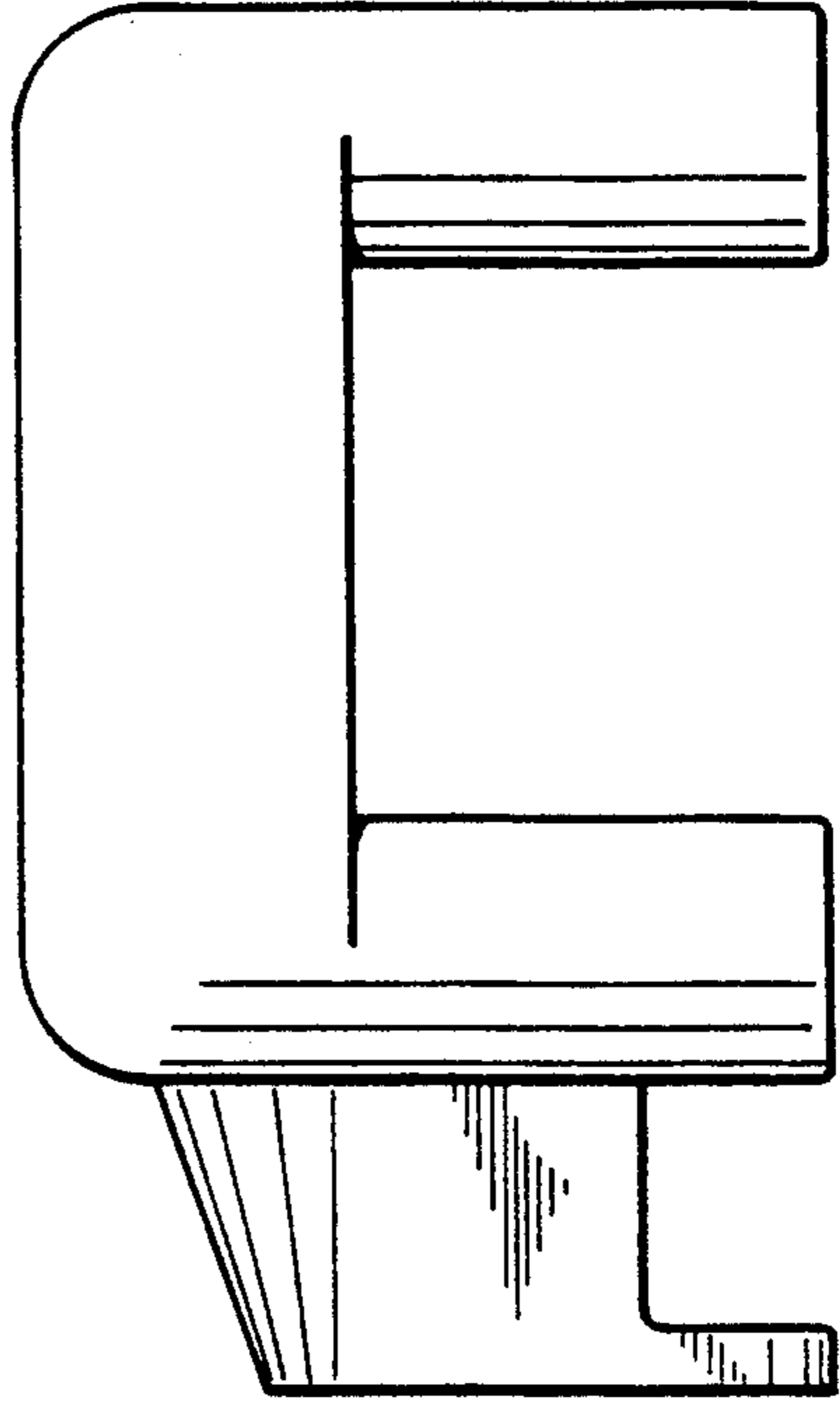


Fig. 4

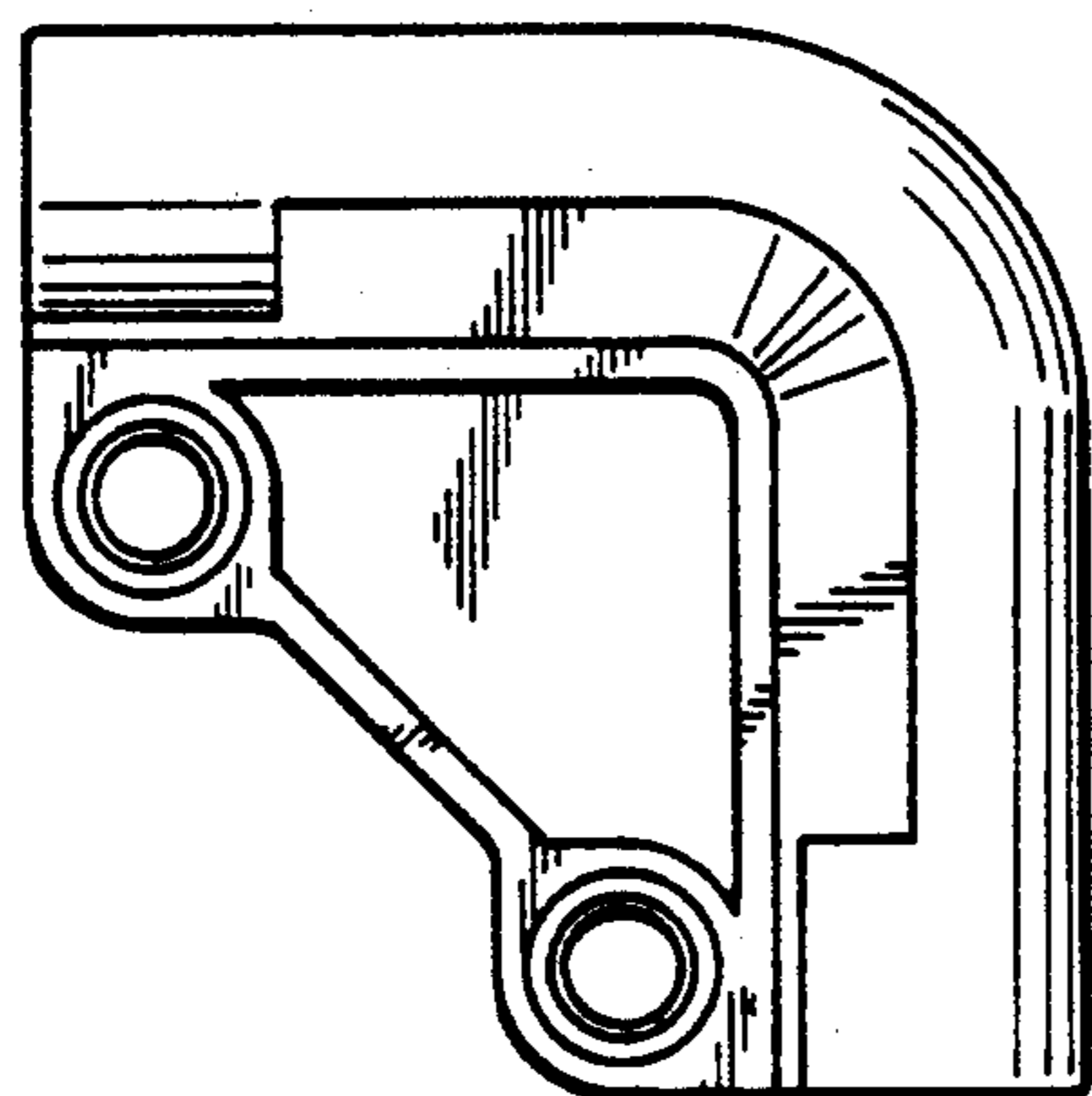


Fig. 7

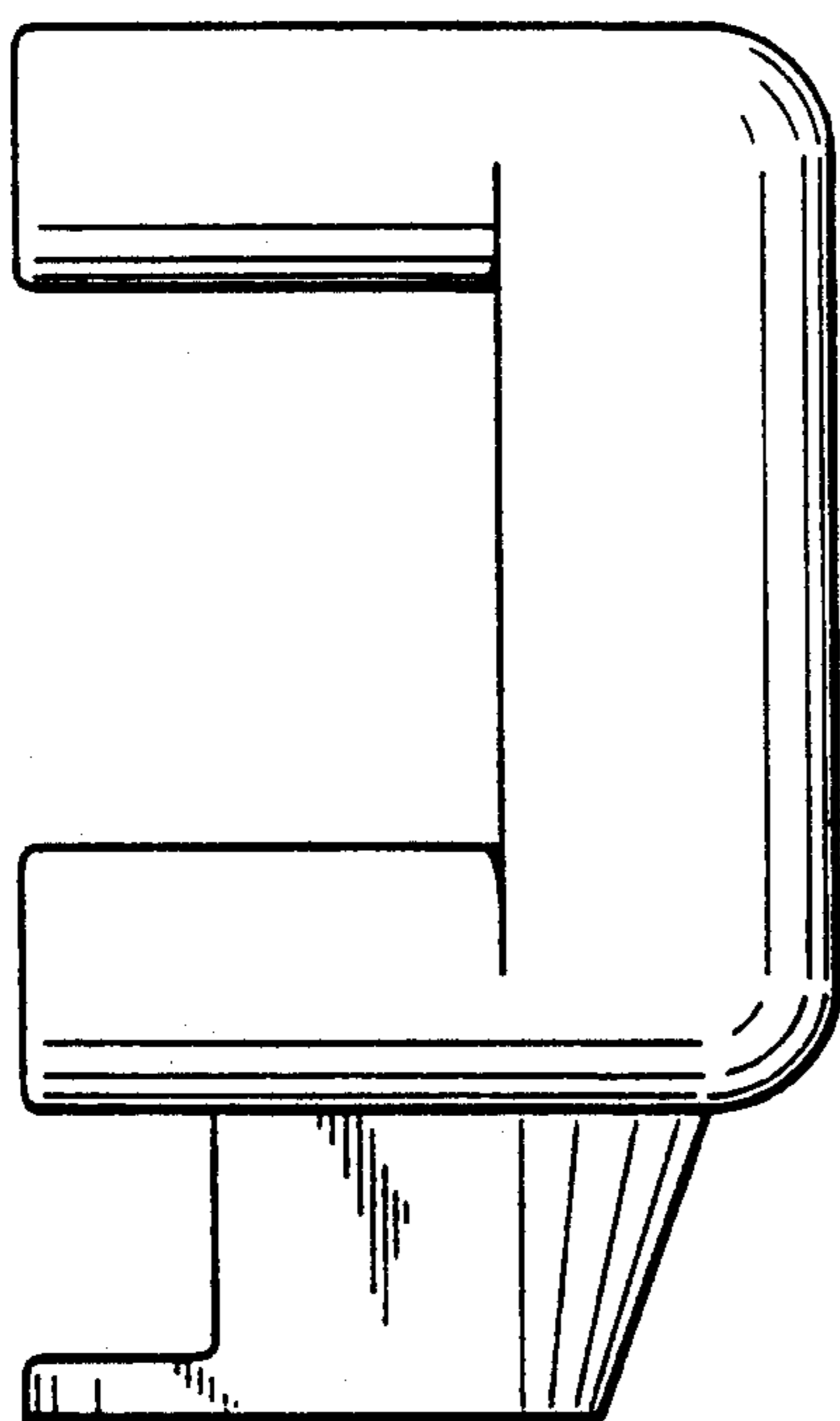


Fig. 5

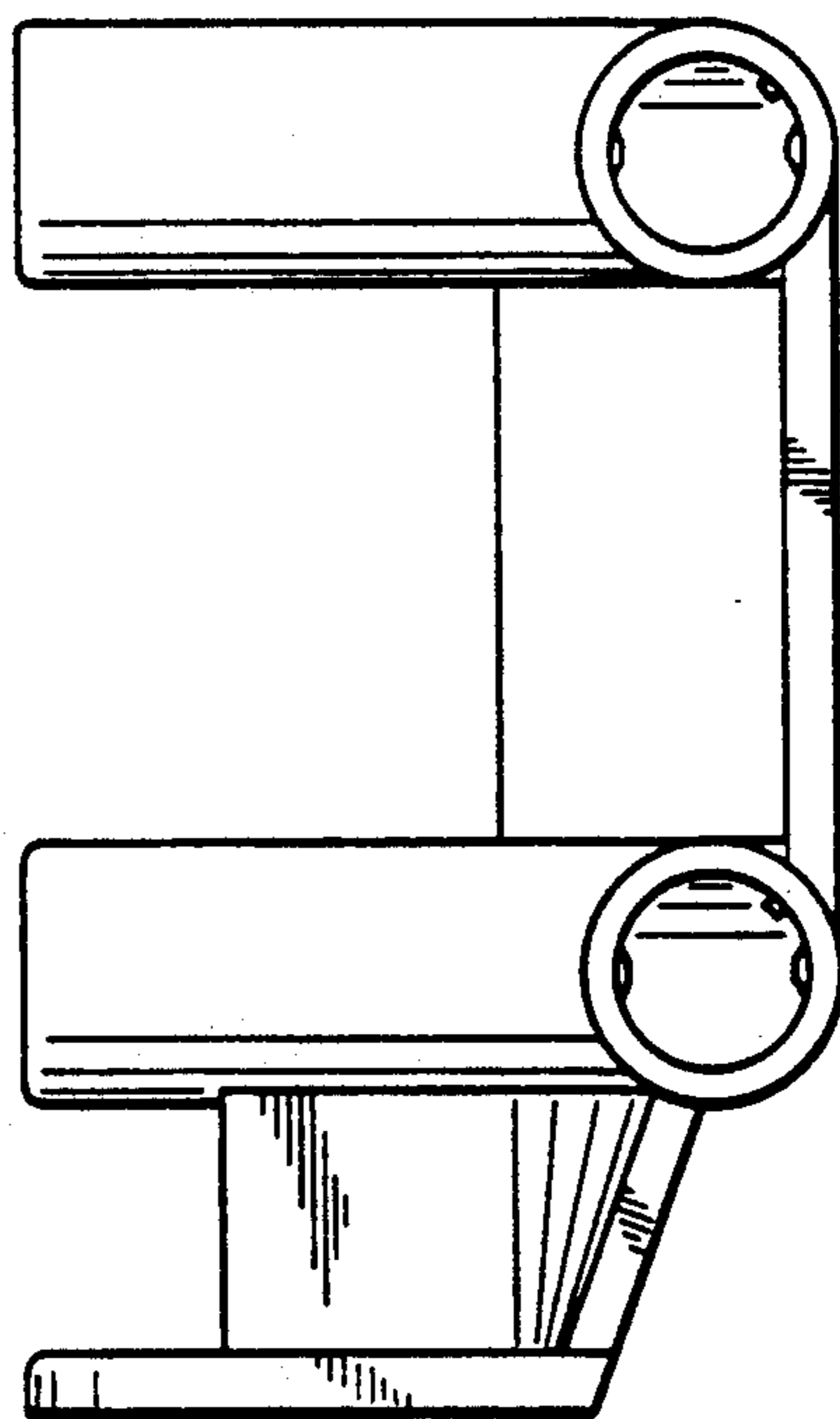


Fig. 6

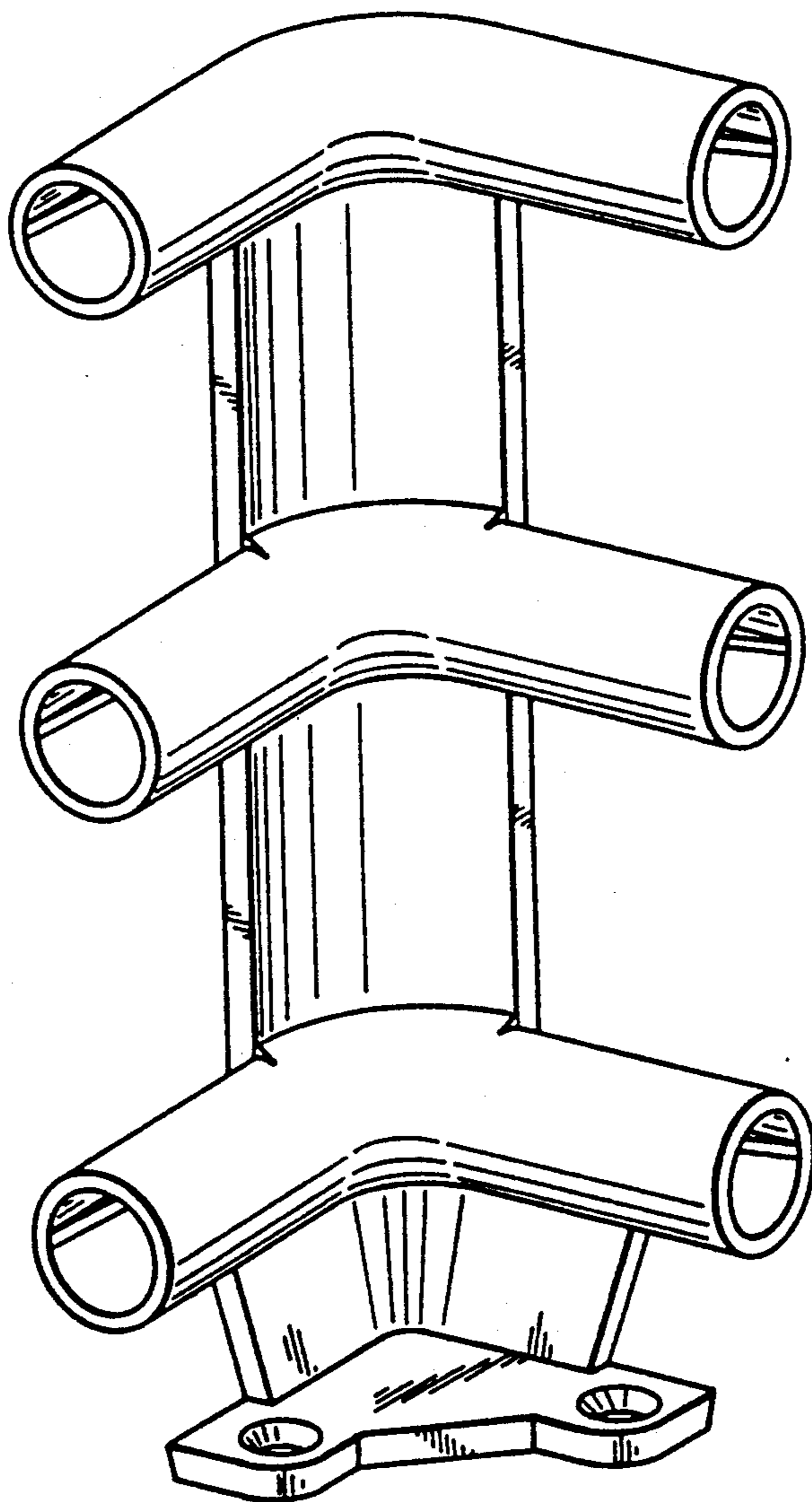


Fig. 8

Fig. 9

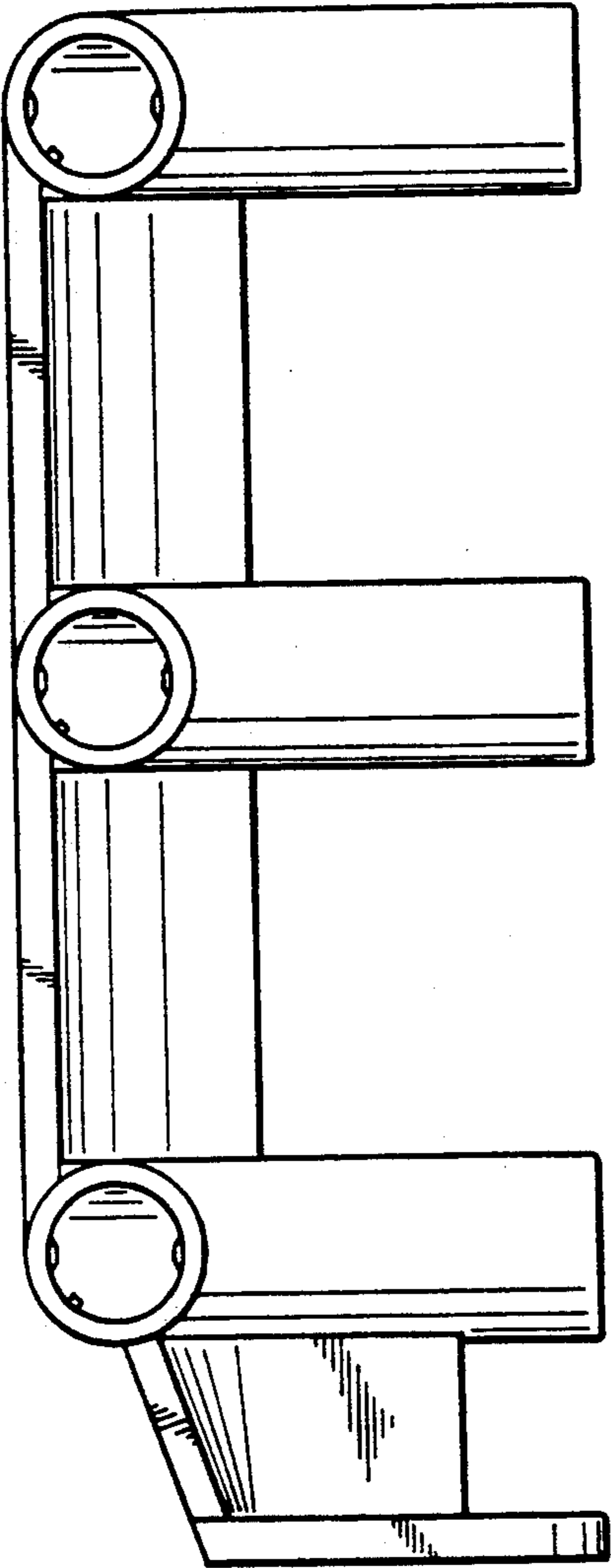


Fig. 10

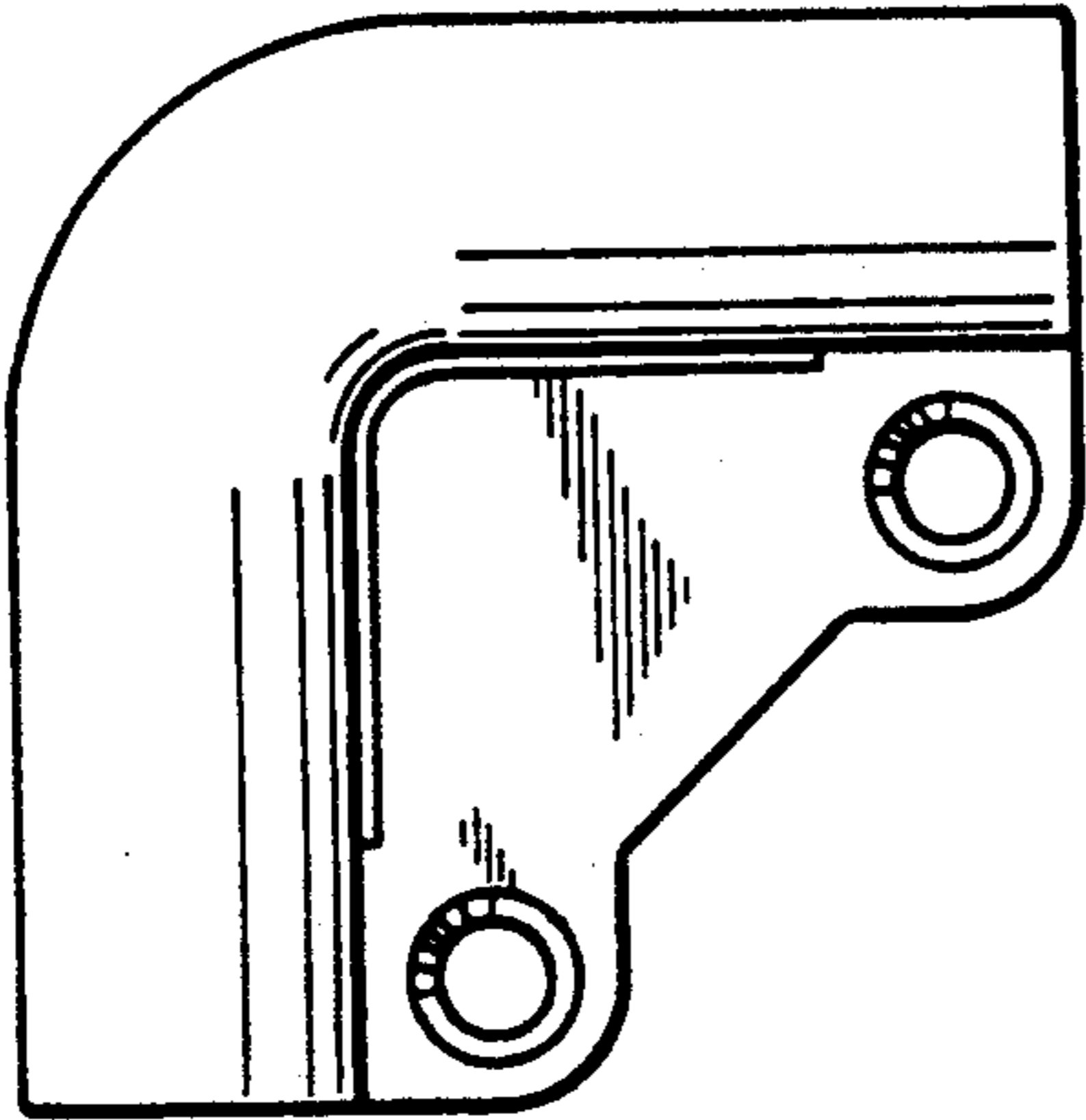
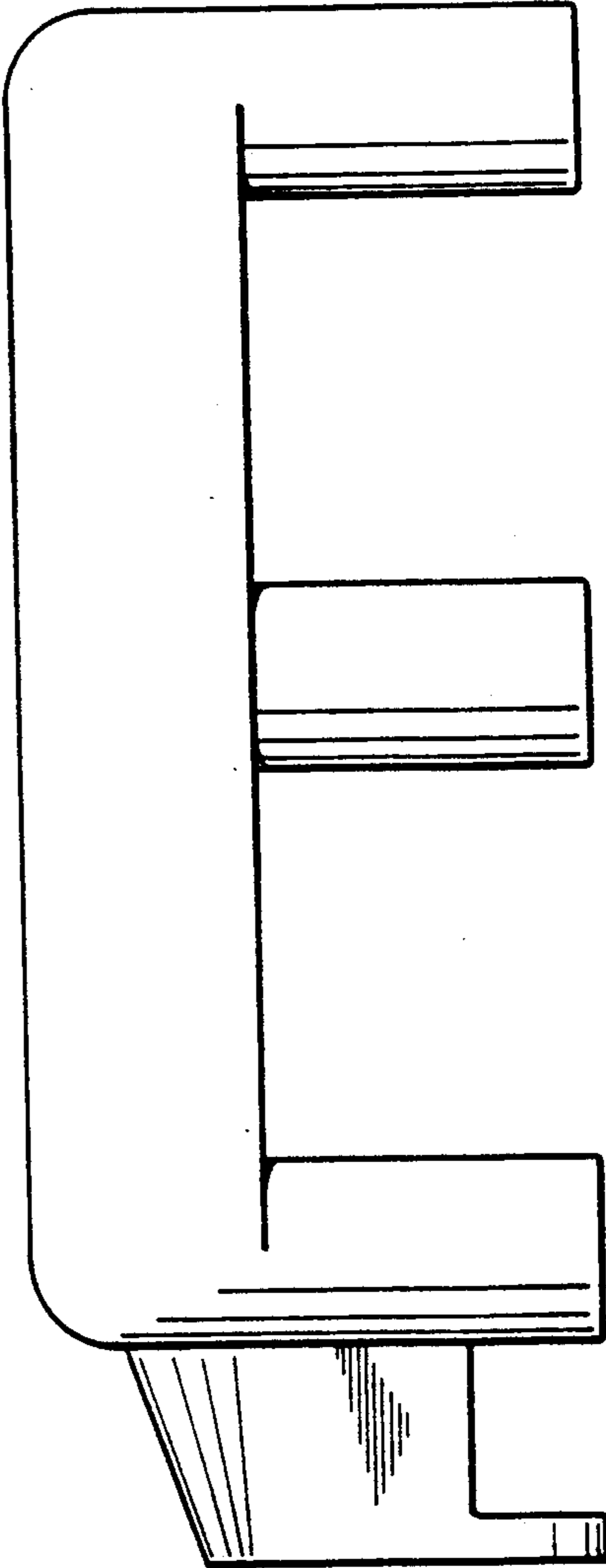


Fig. 11

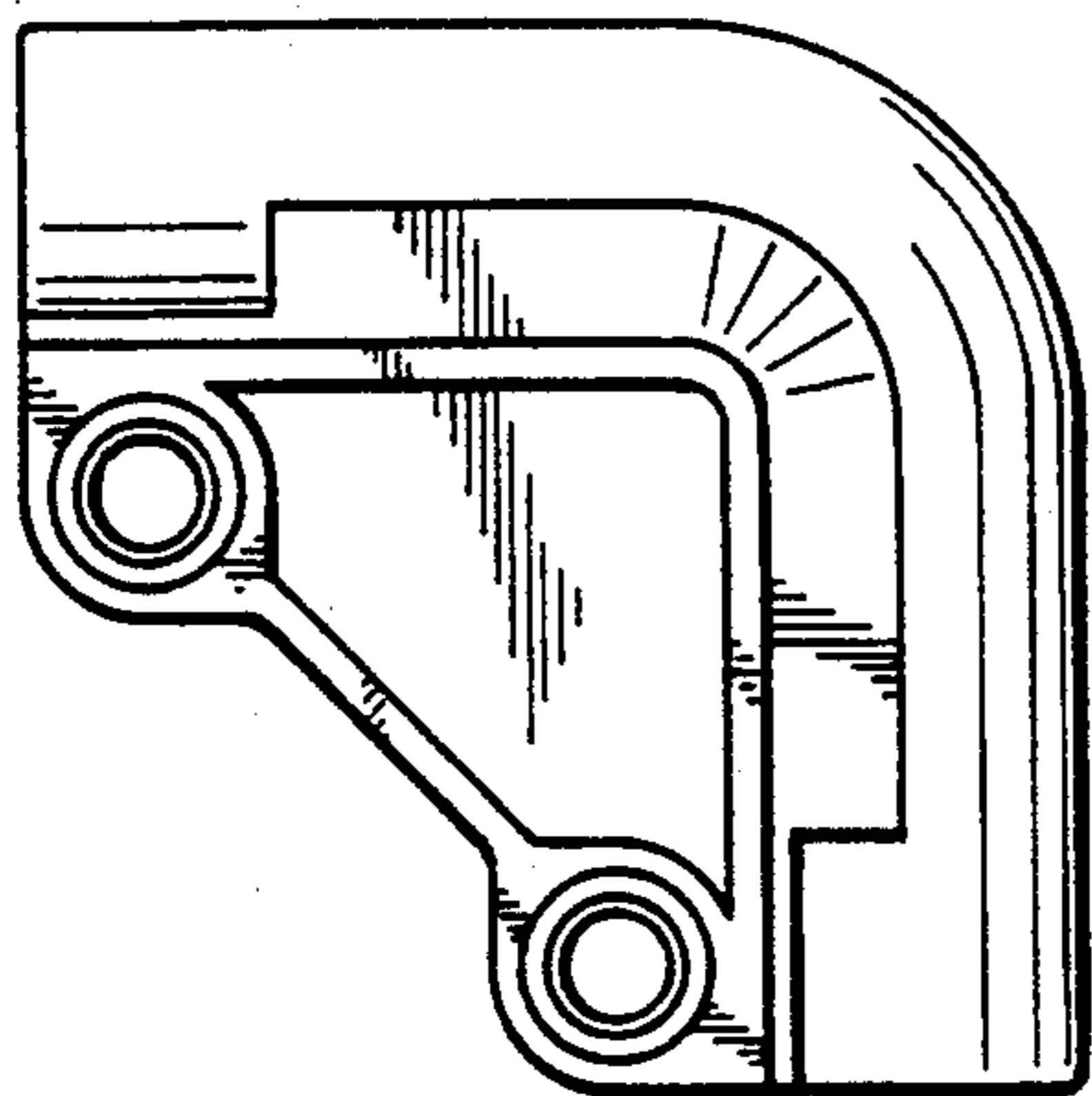


Fig. 14

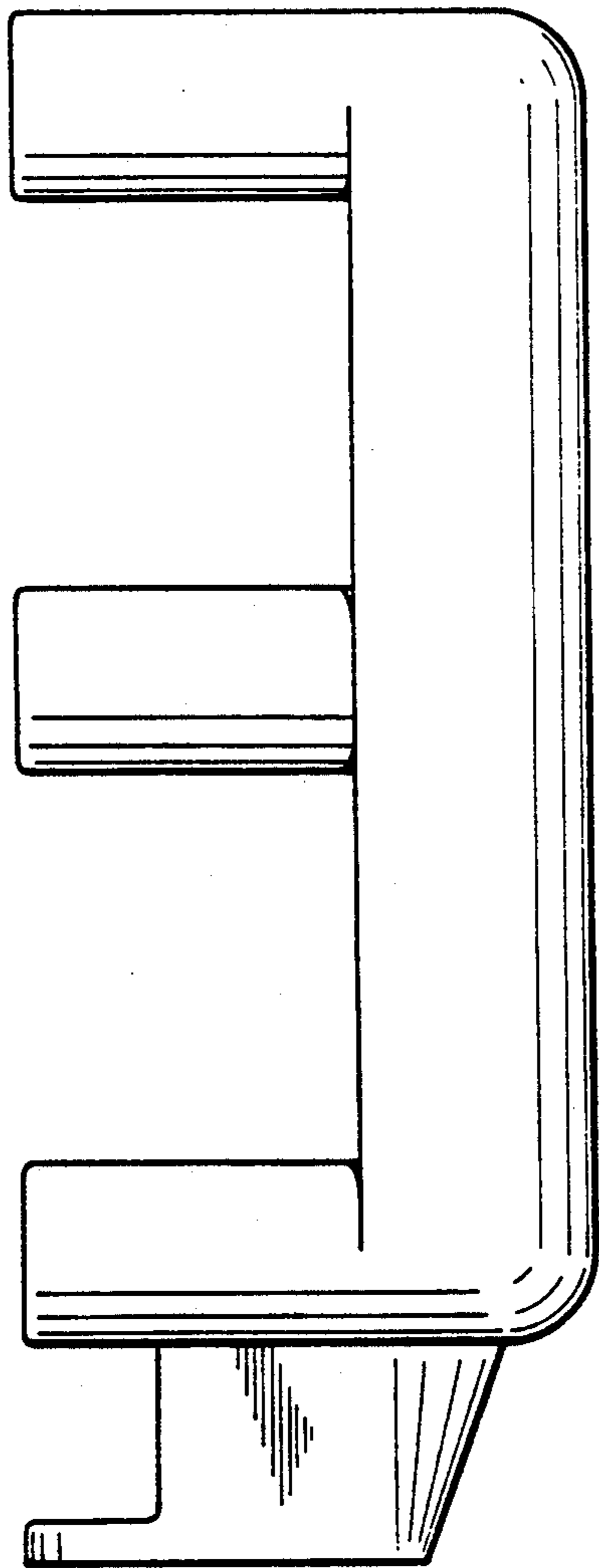


Fig. 12

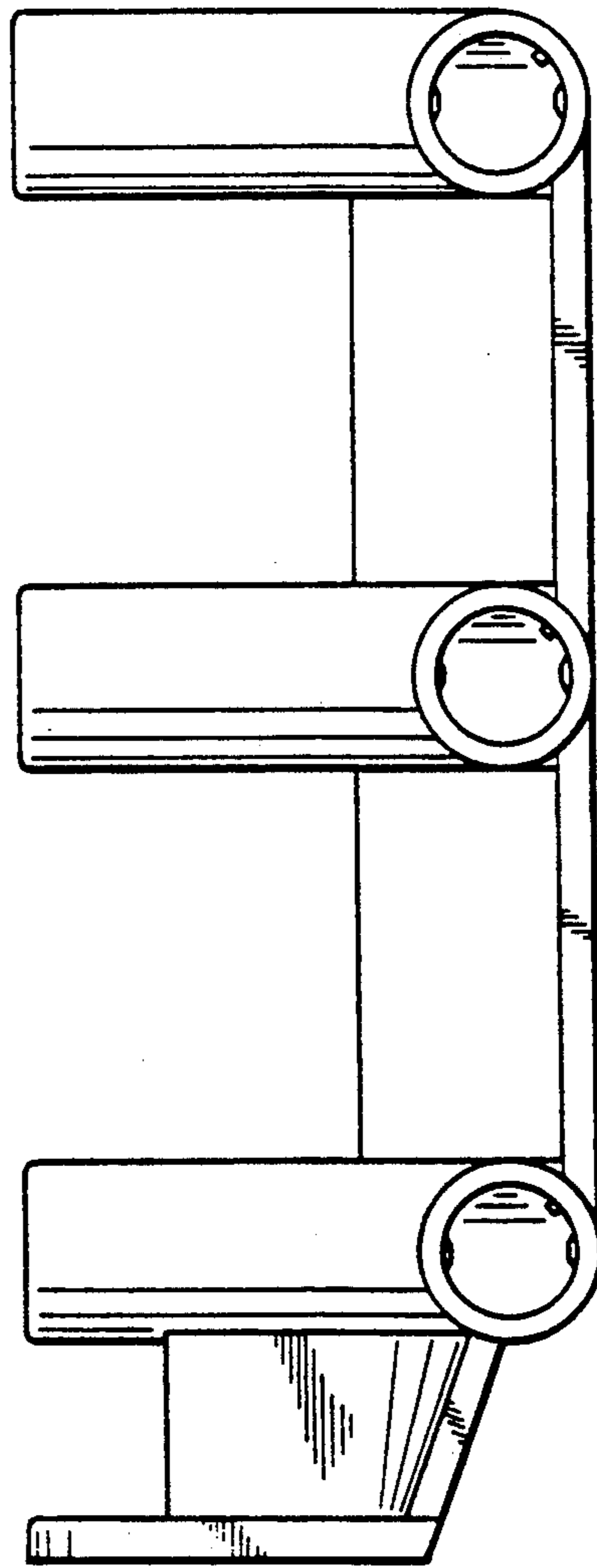


Fig. 13

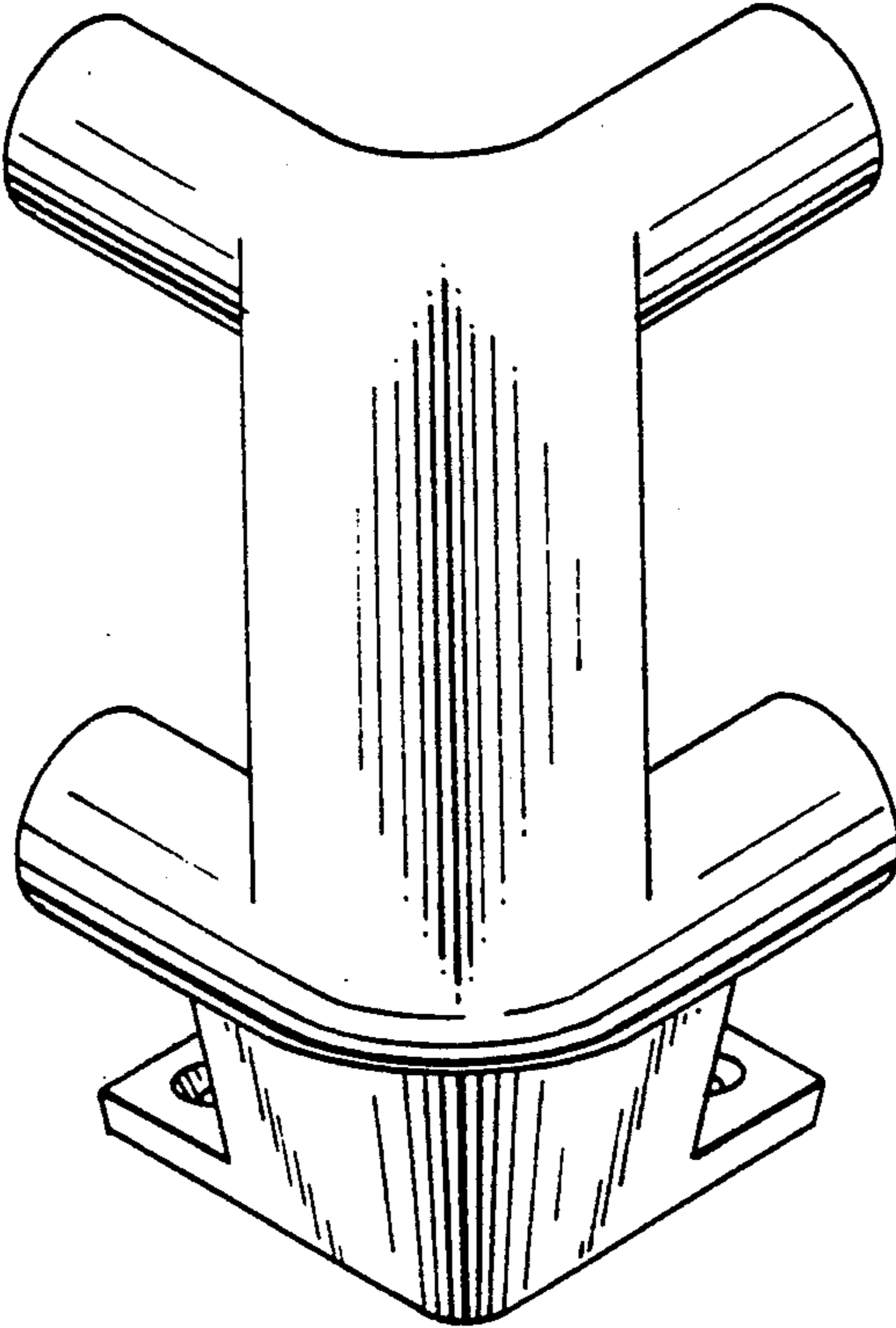


Fig. 15