



US00D326198S

United States Patent [19]

[11] Patent Number: **Des. 326,198**

Pacetti et al.

[45] Date of Patent: **** May 19, 1992**

- [54] **CABINET HOUSING FOR RECEIVING DRAWERS**
- [75] Inventors: **Larry D. Pacetti; Jack A. Parise; George R. Slivon**, all of Kenosha, Wis.
- [73] Assignee: **Snap-on Tools Corporation**, Kenosha, Wis.
- [**] Term: **14 Years**
- [21] Appl. No.: **411,622**
- [22] Filed: **Sep. 25, 1989**
- [52] U.S. Cl. **D6/477; D34/19**
- [58] Field of Search **D6/396, 436, 397, 449, D6/477-479, 462, 429, 464, 465, 473, 474, 476, 466, 467, 407, 491, 509, 510, 511; D34/17, 19, 21; 211/13, 133, 135; 108/11; 312/258, 262; 248/676, 346**

- D. 265,434 7/1982 Phillips D34/19 X
- D. 273,726 5/1984 Valenzuela D6/477
- D. 275,044 8/1984 Hampshire et al. D6/476 X
- D. 278,294 4/1985 Dau D6/477
- 4,579,401 4/1986 Mears D6/429

OTHER PUBLICATIONS

Snap-on Tools Corporation 1987 catalog, pp. 16-27.
Primary Examiner—Donald P. Walsh
Assistant Examiner—Jeffrey Asch
Attorney, Agent, or Firm—Emrich & Dithmar

[57] CLAIM

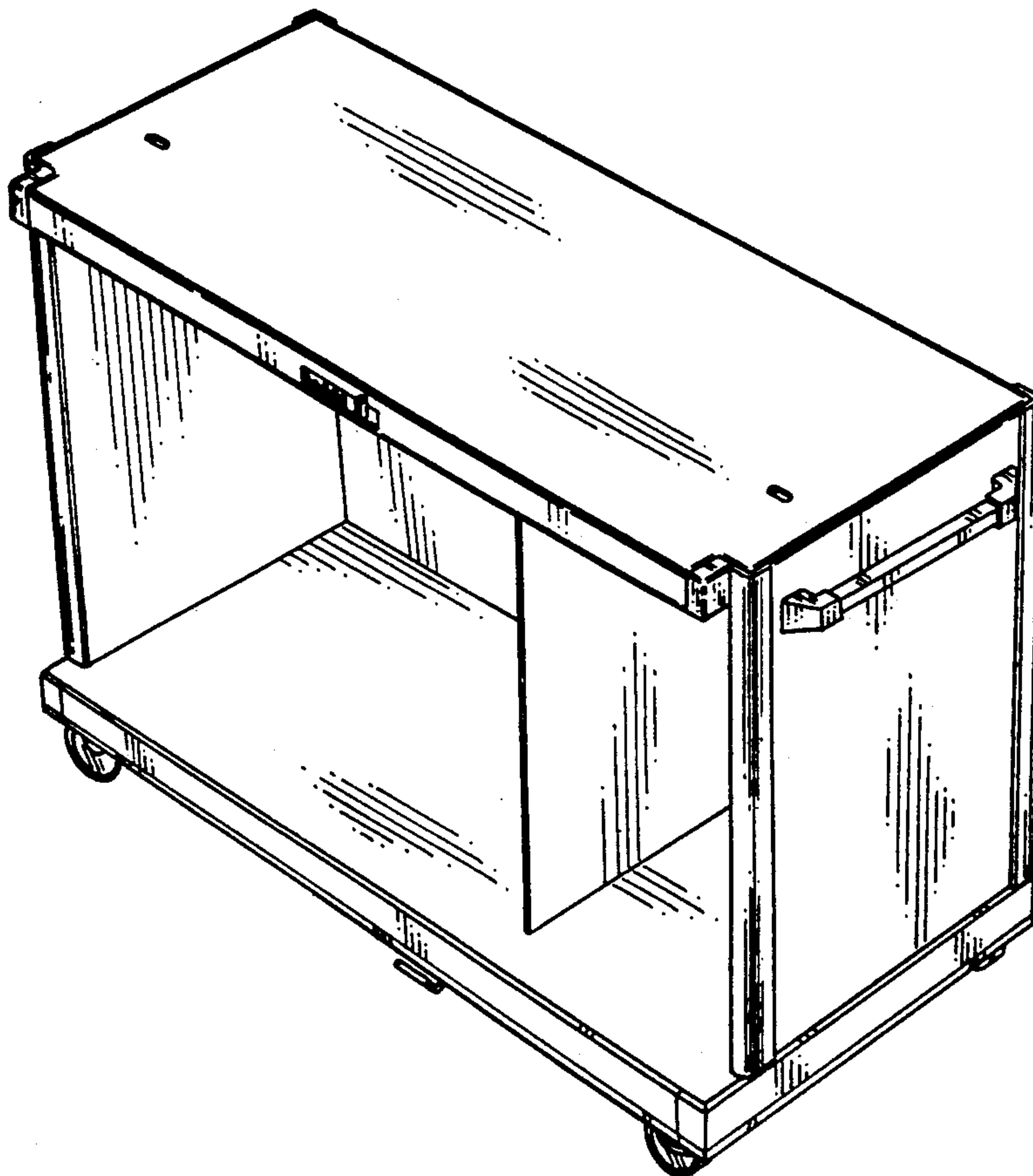
The ornamental design for a cabinet housing for receiving drawers, as shown and described.

DESCRIPTION

FIG. 1 is a perspective view of a cabinet housing for receiving drawers showing our new design;
 FIG. 2 is a top plan view;
 FIG. 3 is a front elevational view, the broken line showing of mounting structure being for illustrative purposes only;
 FIG. 4 is a rear elevational view;
 FIG. 5 is a right side elevational view;
 FIG. 6 is a left side elevational view; and,
 FIG. 7 is a bottom plan view thereof.

[56] **References Cited**
U.S. PATENT DOCUMENTS

- D. 153,744 5/1949 Zver et al. 211/13 X
- D. 160,432 10/1950 Rubrite D6/477
- D. 211,716 7/1968 Roloson D34/19
- D. 244,924 7/1977 Scheibner D34/21
- D. 264,411 5/1982 Collins D6/477



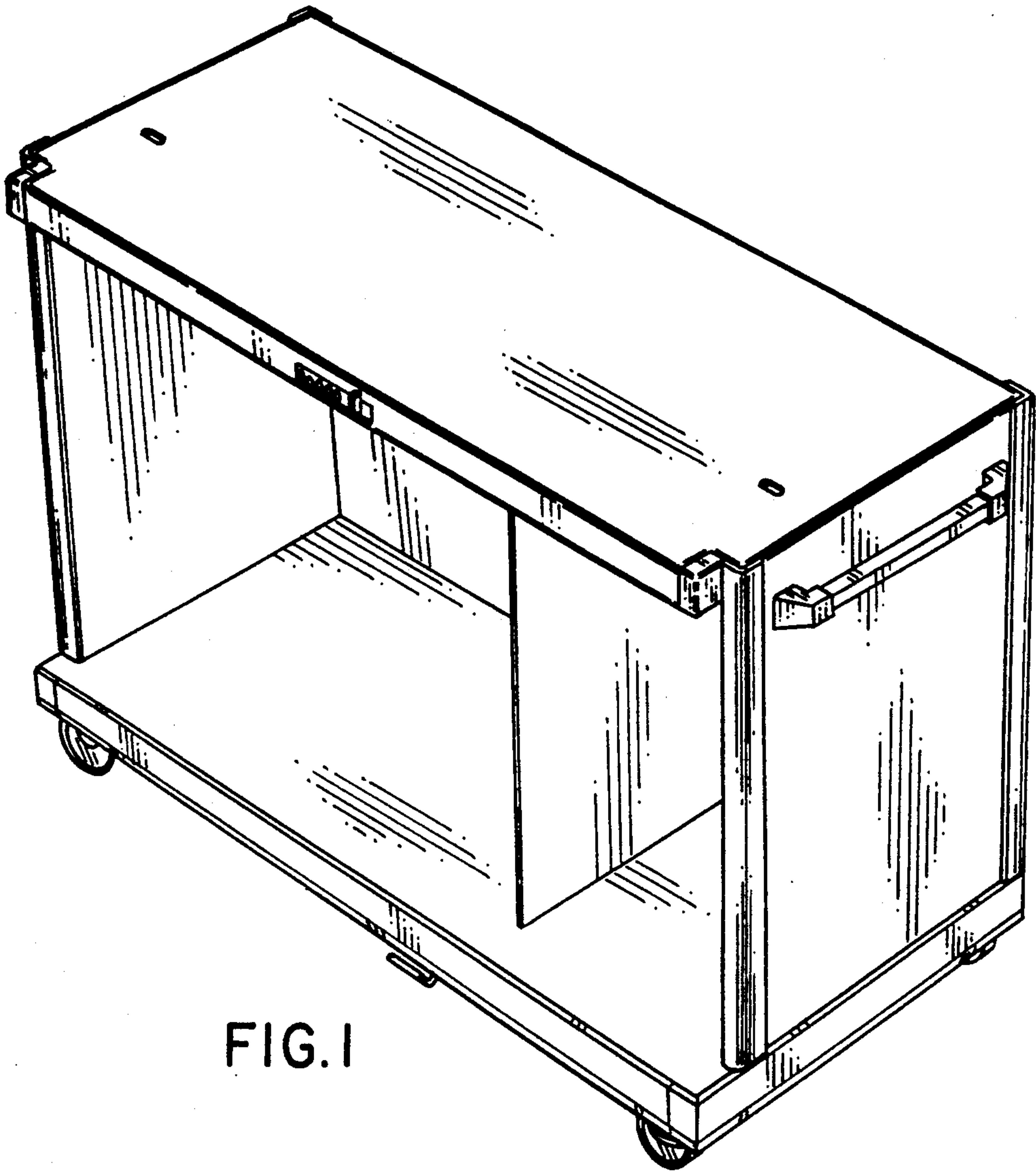


FIG. 1

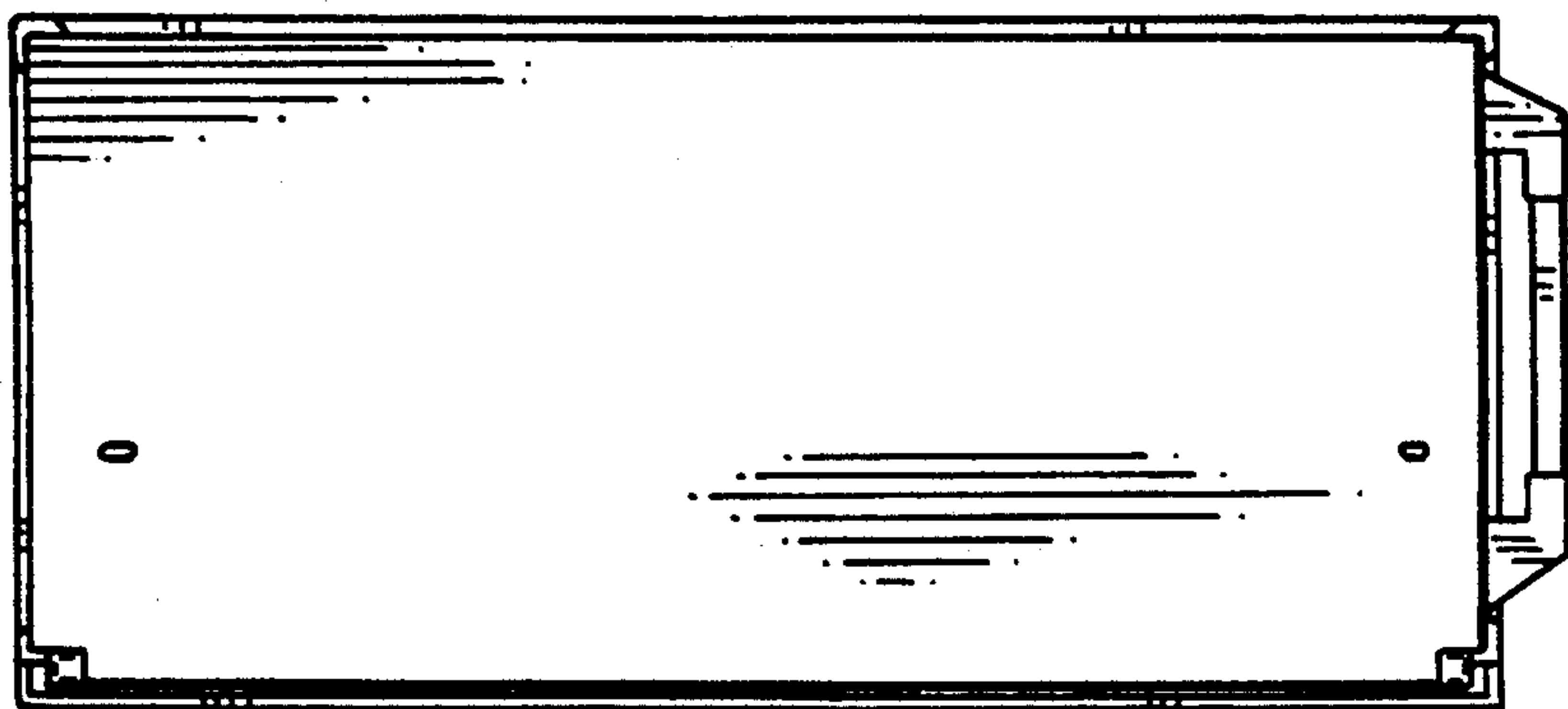


FIG. 2

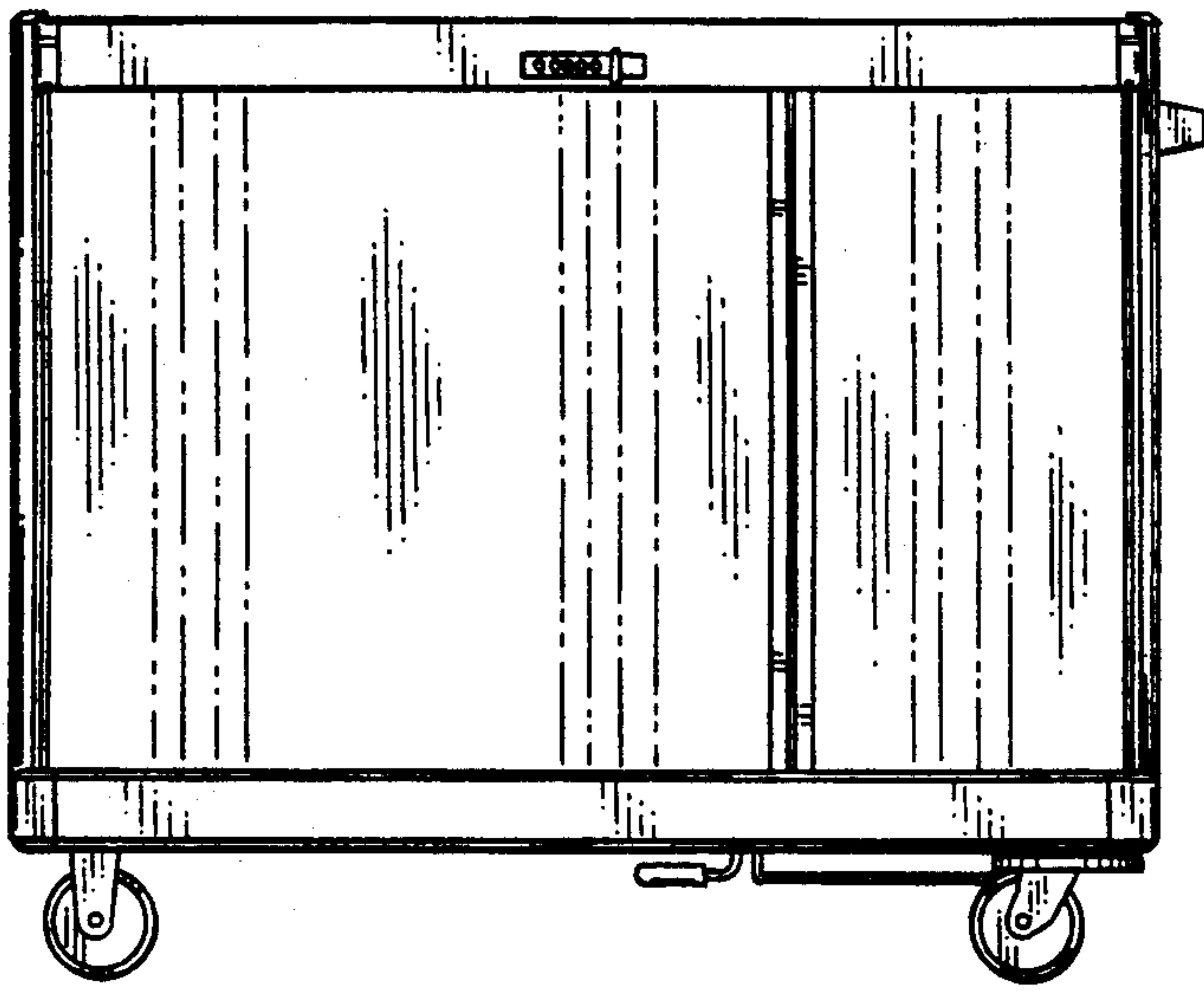


FIG. 3

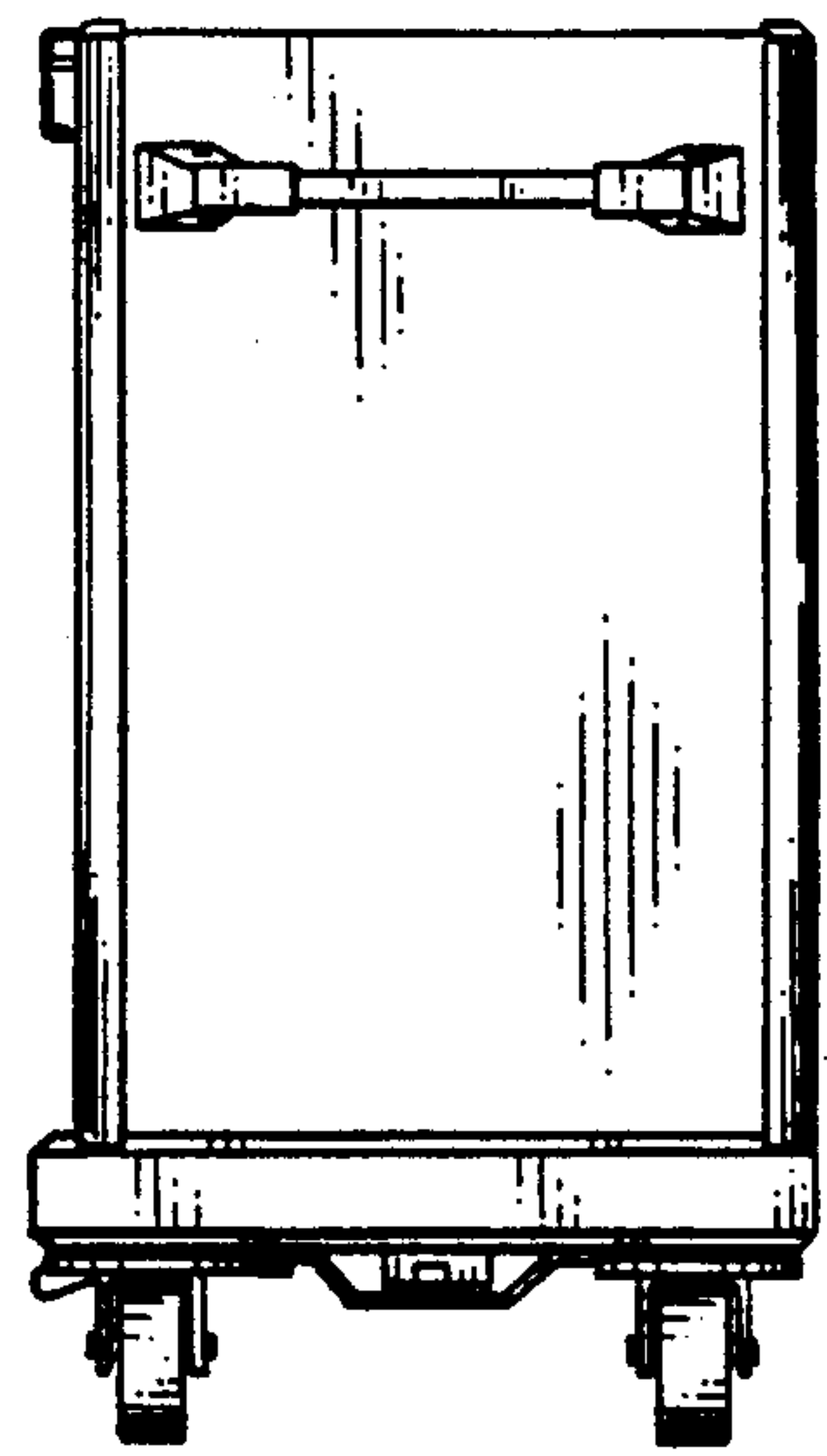


FIG. 5

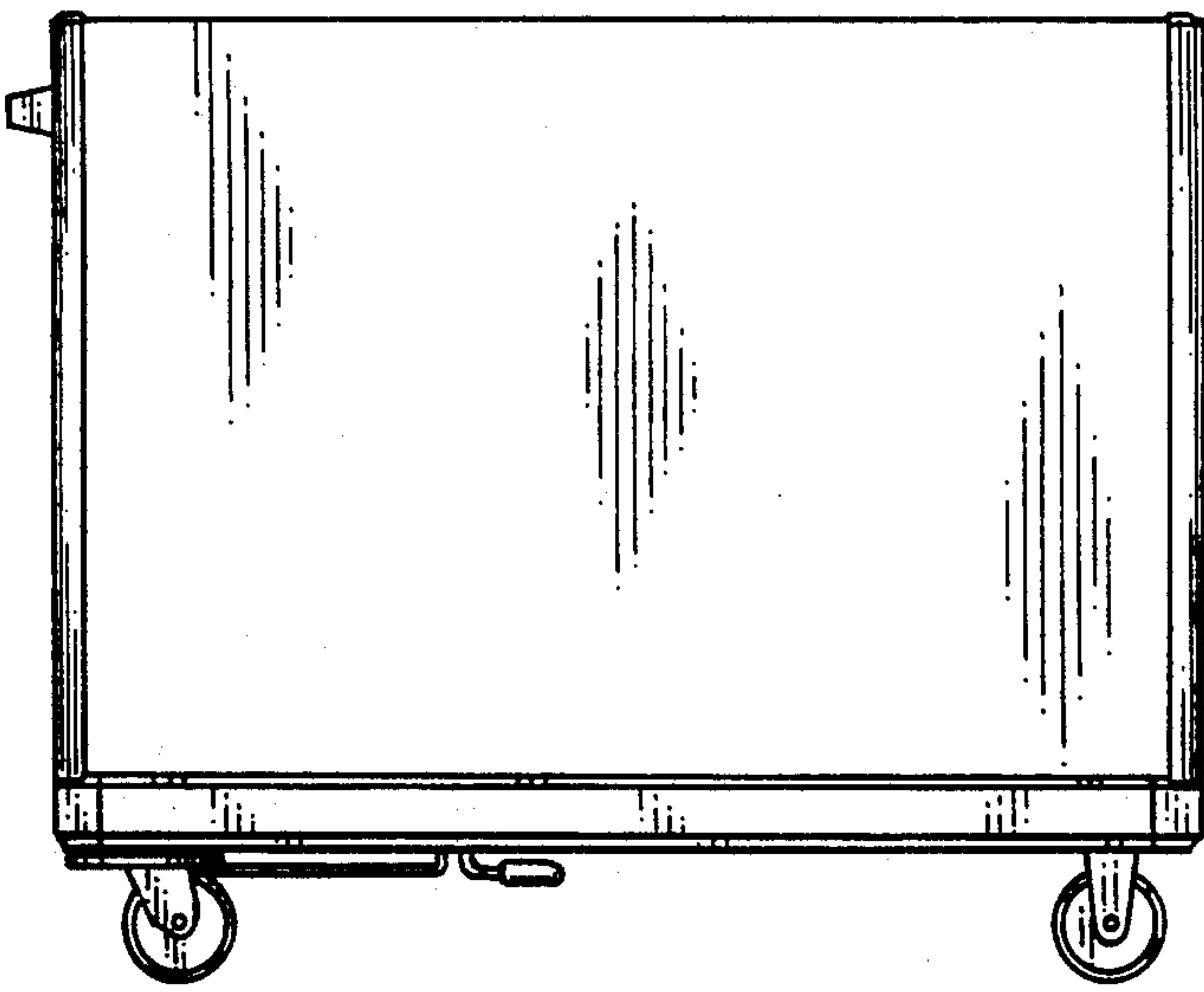


FIG. 4

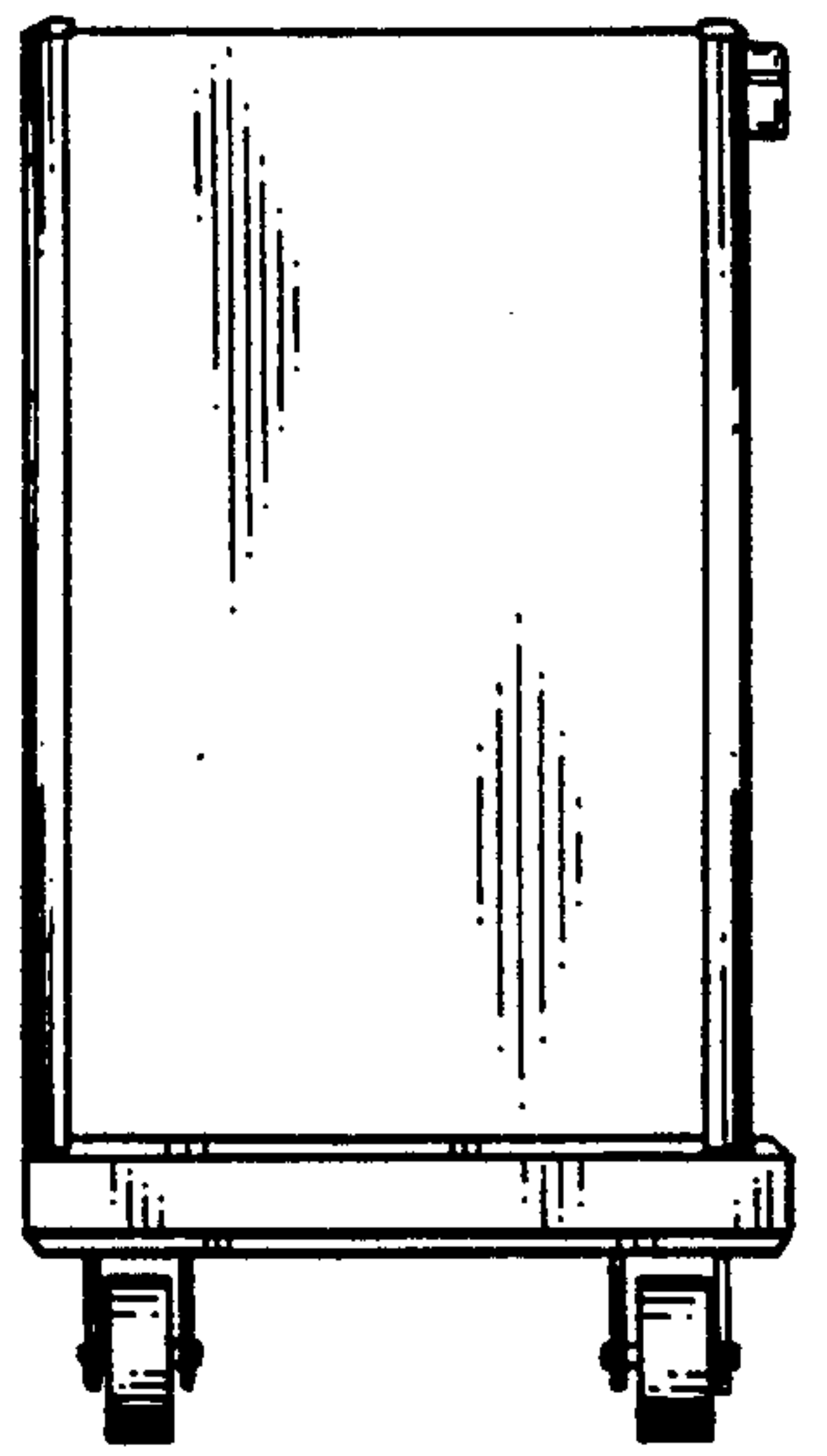


FIG. 6

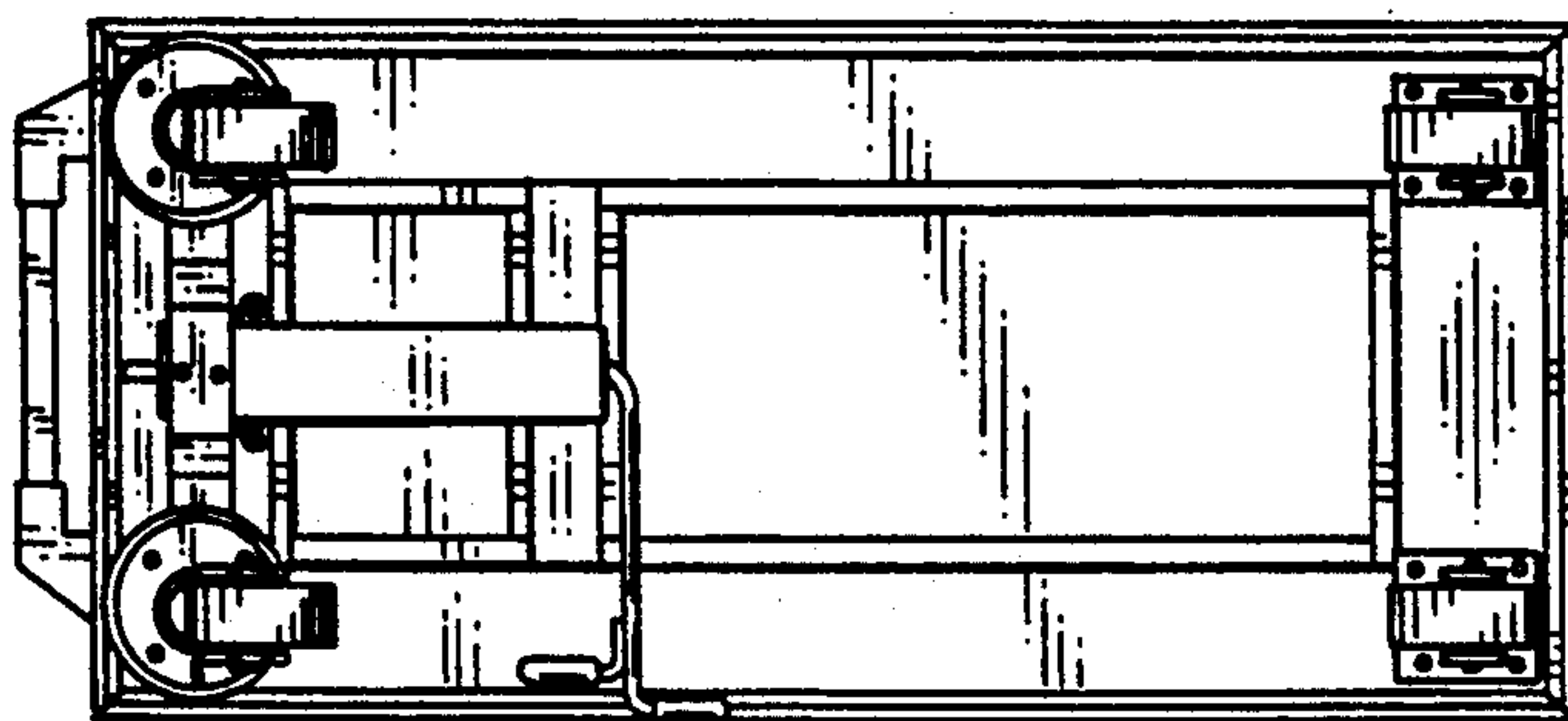


FIG. 7

UNITED STATES PATENT AND TRADEMARK OFFICE
CERTIFICATE OF CORRECTION

PATENT NO. : Des. 326,198

DATED : May 19, 1992

INVENTOR(S) : Charles H. Heiligenthal et al

It is certified that error appears in the above-identified patent and that said Letters Patent is hereby corrected as shown below:

On the title page, Item [75] Inventors, before "Larry D. Pacetti" insert --Charles H. Heiligenthal--.

Signed and Sealed this
Thirtieth Day of November, 1993

Attest:



BRUCE LEHMAN

Attesting Officer

Commissioner of Patents and Trademarks