



US00D326197S

United States Patent [19]

[11] Patent Number: **Des. 326,197**

Heilighenthal et al.

[45] Date of Patent: **** May 19, 1992**

[54] **CABINET HOUSING FOR RECEIVING DRAWERS**

[75] Inventors: **Charles H. Heilighenthal; Larry D. Pacetti; Jack A. Parise; George R. Slivon, all of Kenosha, Wis.**

[73] Assignee: **Snap-on Tools Corporation, Kenosha, Wis.**

[**] Term: **14 Years**

[21] Appl. No.: **437,921**

[22] Filed: **Nov. 7, 1989**

[52] U.S. Cl. **D6/474; D6/467; D6/477; D6/509**

[58] Field of Search **D6/396, 397, 449, 436, D6/462, 429, 464, 465, 473, 474, 476, 466, 467, 407, 509, 510, 511, 491; 211/13, 133, 135; 248/676, 346; 312/258, 262; 108/11; D7/609, 403**

[56] **References Cited**

U.S. PATENT DOCUMENTS

- D. 85,136 9/1931 Teller et al. D7/403 X
- D. 113,142 1/1939 Kamenstein D7/609

- D. 258,556 3/1981 Verdesca D6/474
- D. 258,791 4/1981 Verdesca D6/479
- D. 285,632 9/1986 Axhamre D6/474
- D. 287,678 1/1987 Hatcher et al. D6/474
- D. 305,840 2/1990 Mepham D6/474

OTHER PUBLICATIONS

Snap-on Tools Corporation 1987 catalog, pp. 16-27.

Primary Examiner—Donald P. Walsh

Assistant Examiner—Jeffrey Asch

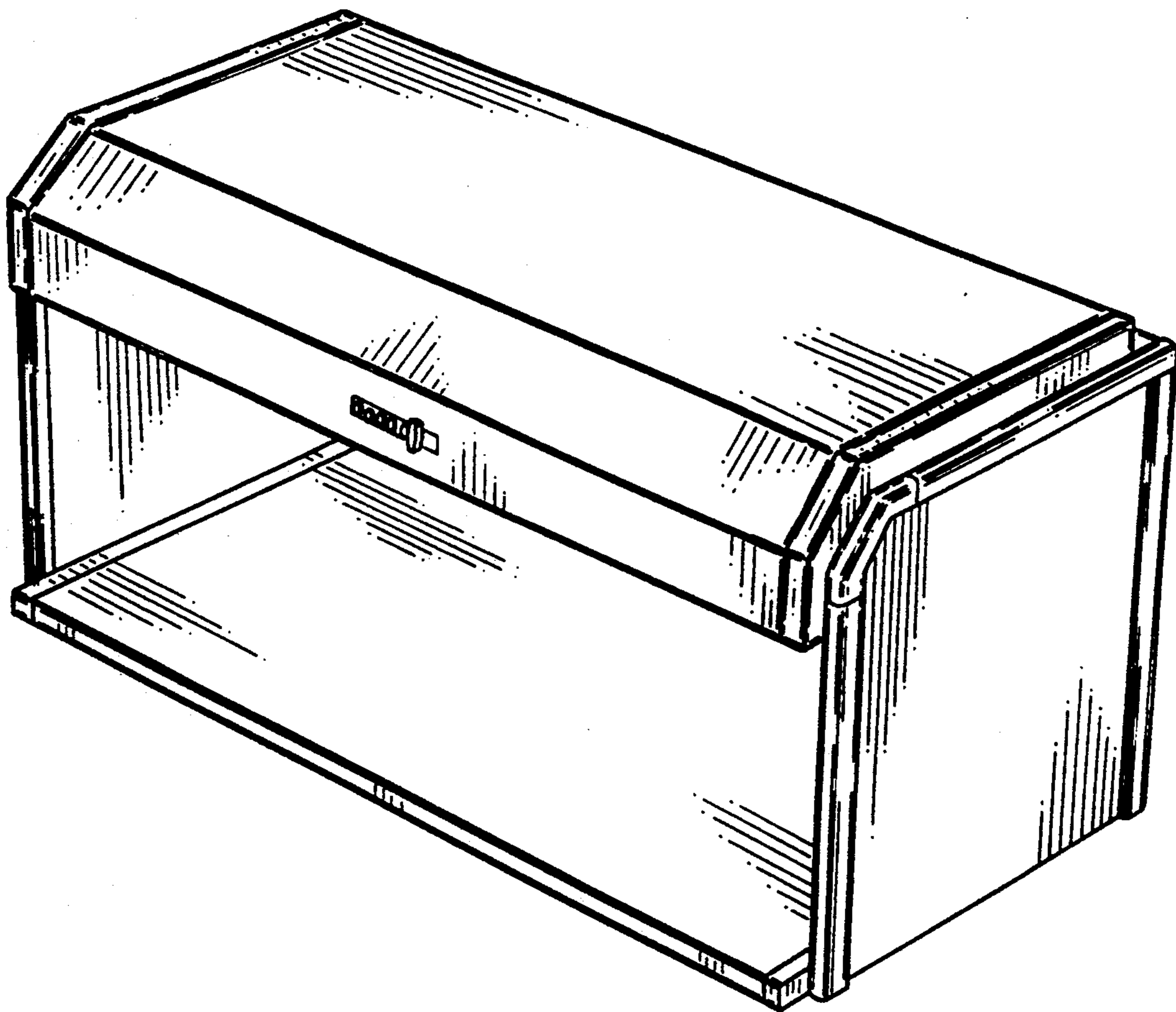
Attorney, Agent, or Firm—Emrich & Dithmar

[57] **CLAIM**

The ornamentla design for a cabinet housing for receiving drawers, shown and described.

DESCRIPTION

FIG. 1 is a perspective view of a cabinet housing for receiving shelves showing our new design; FIG. 2 is a top plan view; FIG. 3 is a front elevational view; FIG. 4 is a rear elevational view; FIG. 5 is a right side elevational view, the left side being a mirror image thereof; and, FIG. 6 is a bottom plan view thereof.



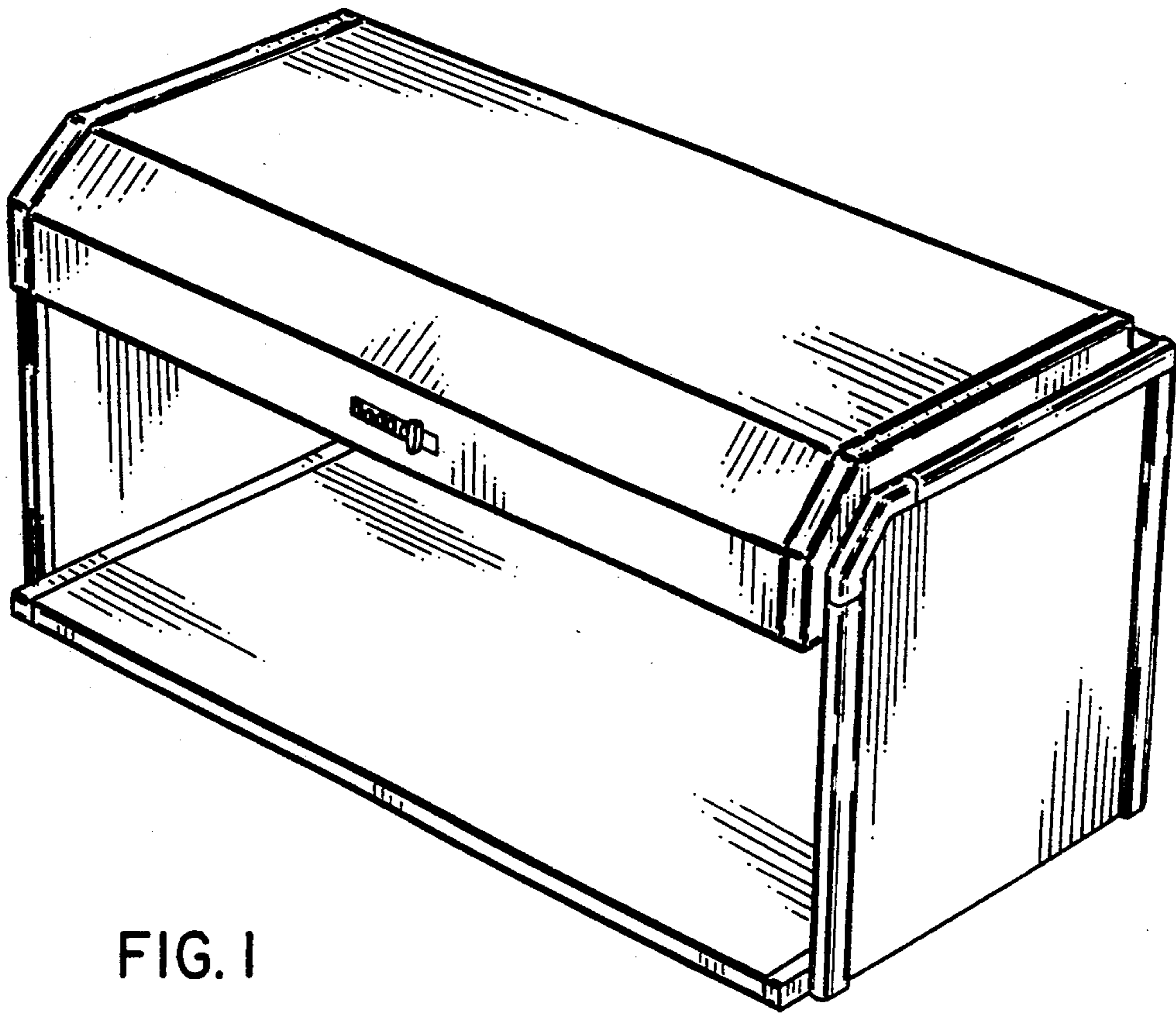


FIG. 1

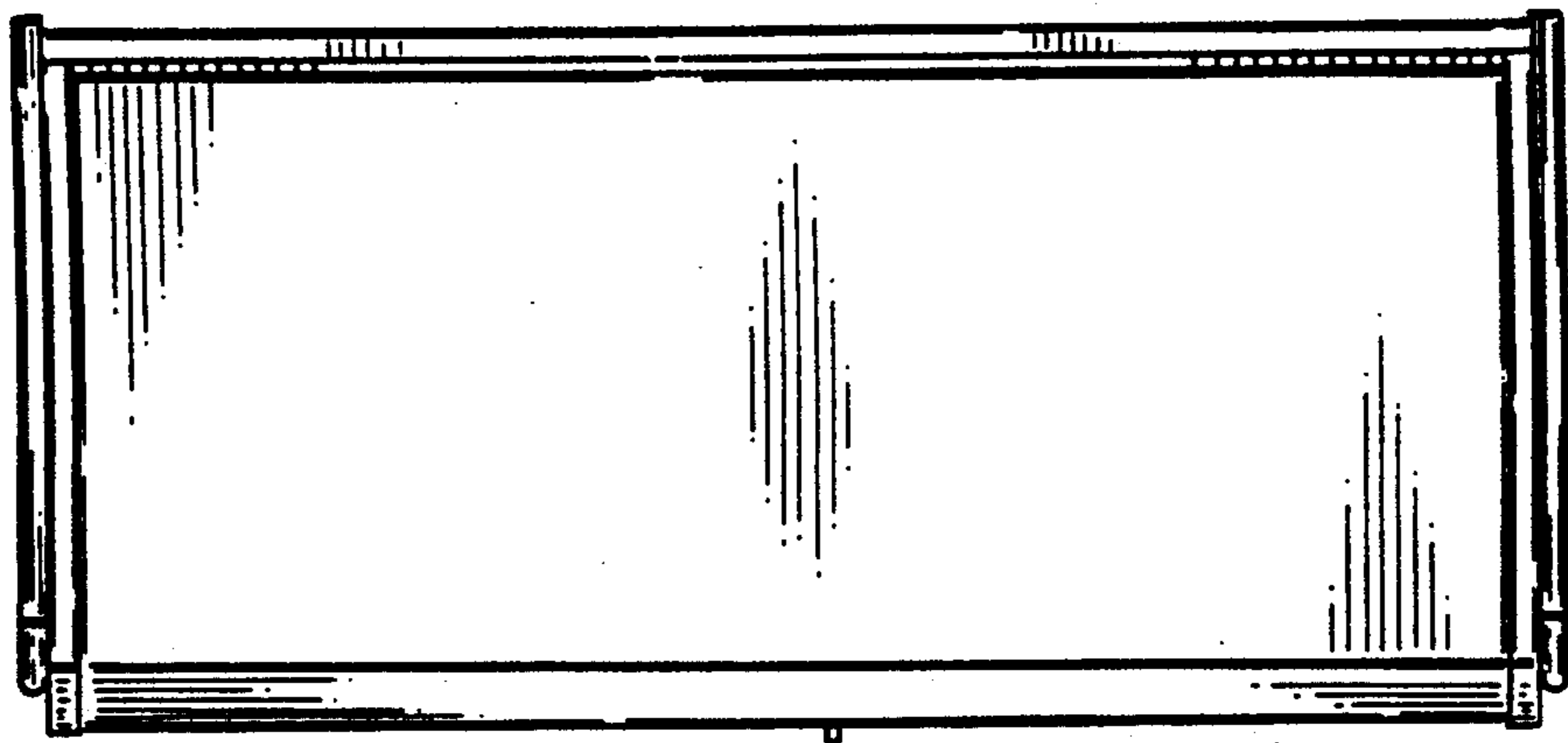


FIG. 2

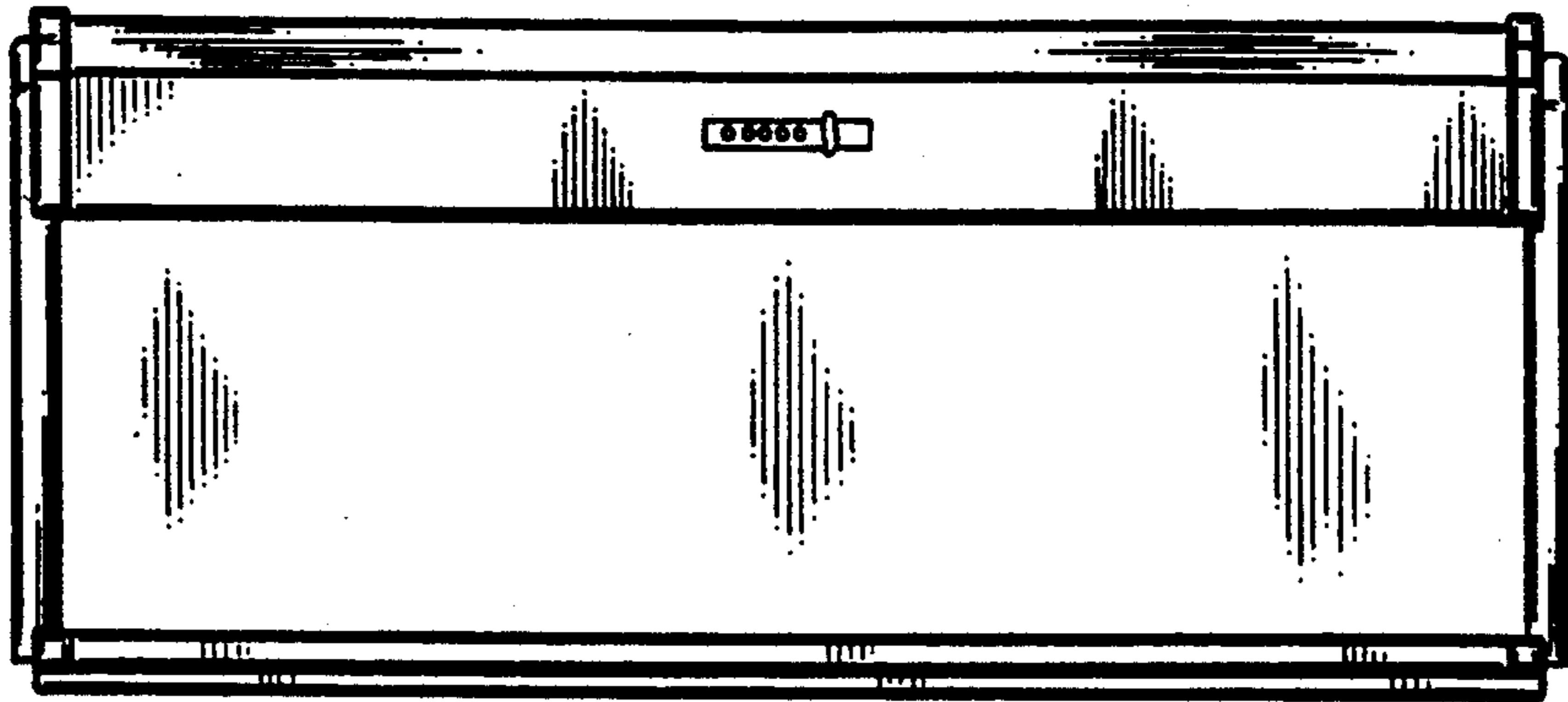


FIG. 3

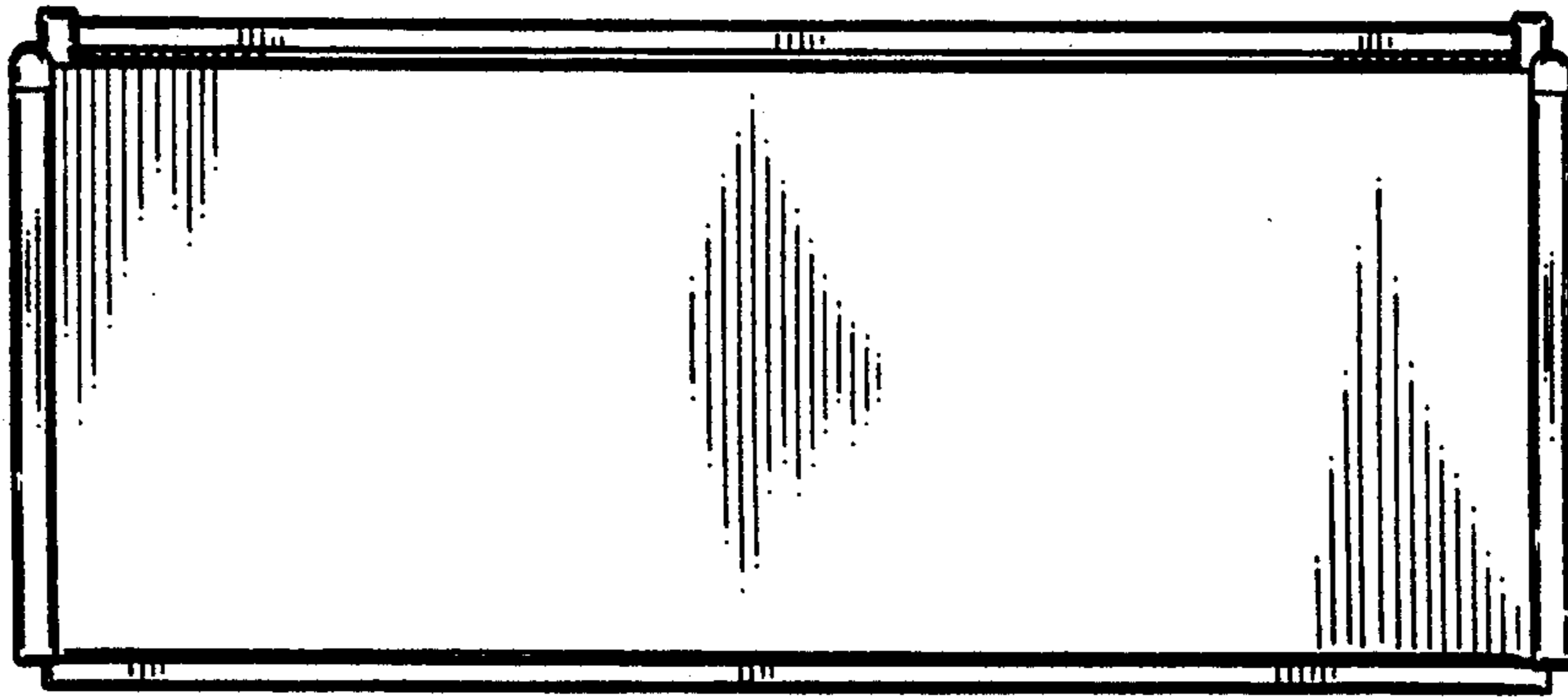


FIG. 4

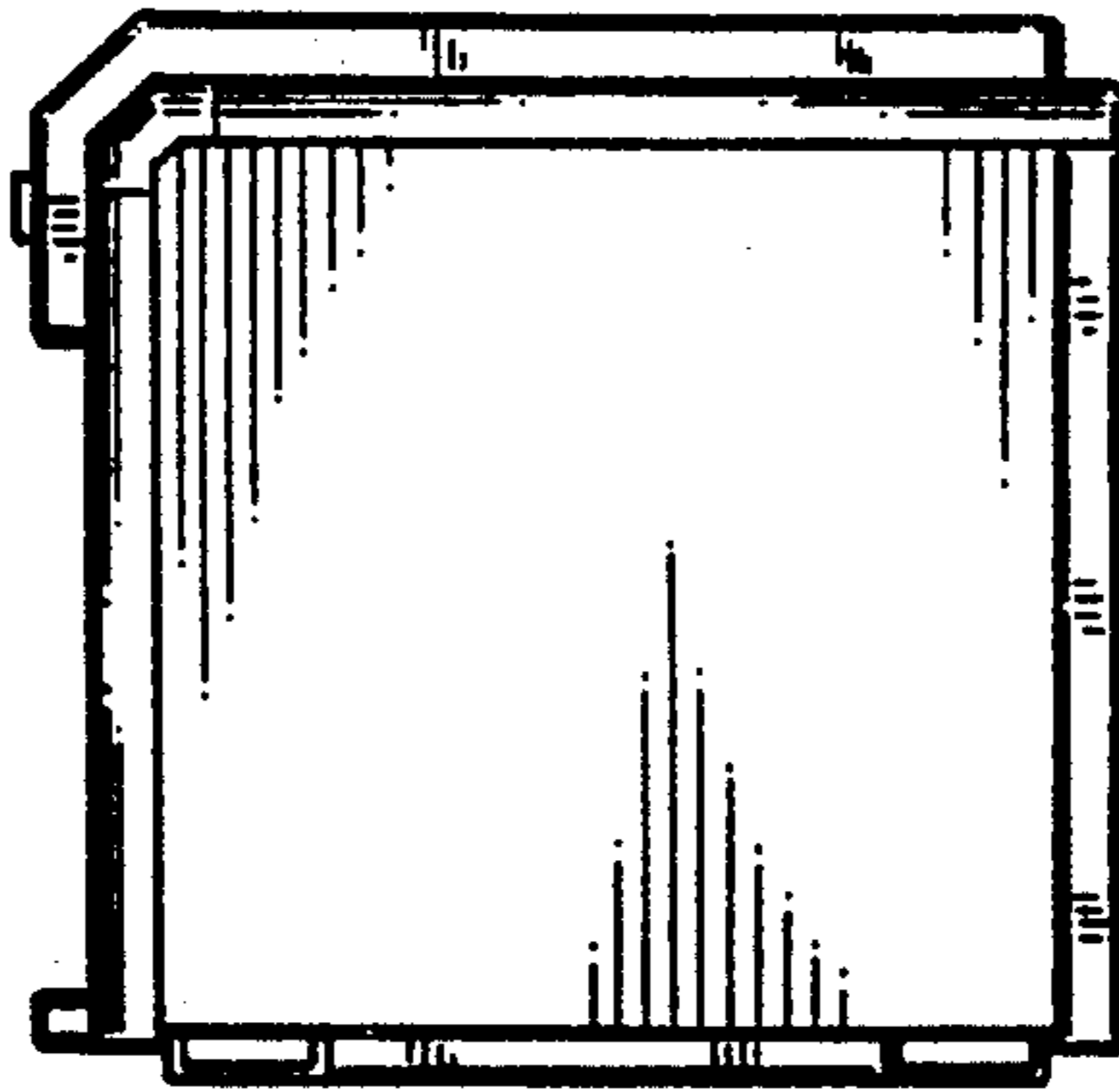


FIG. 5

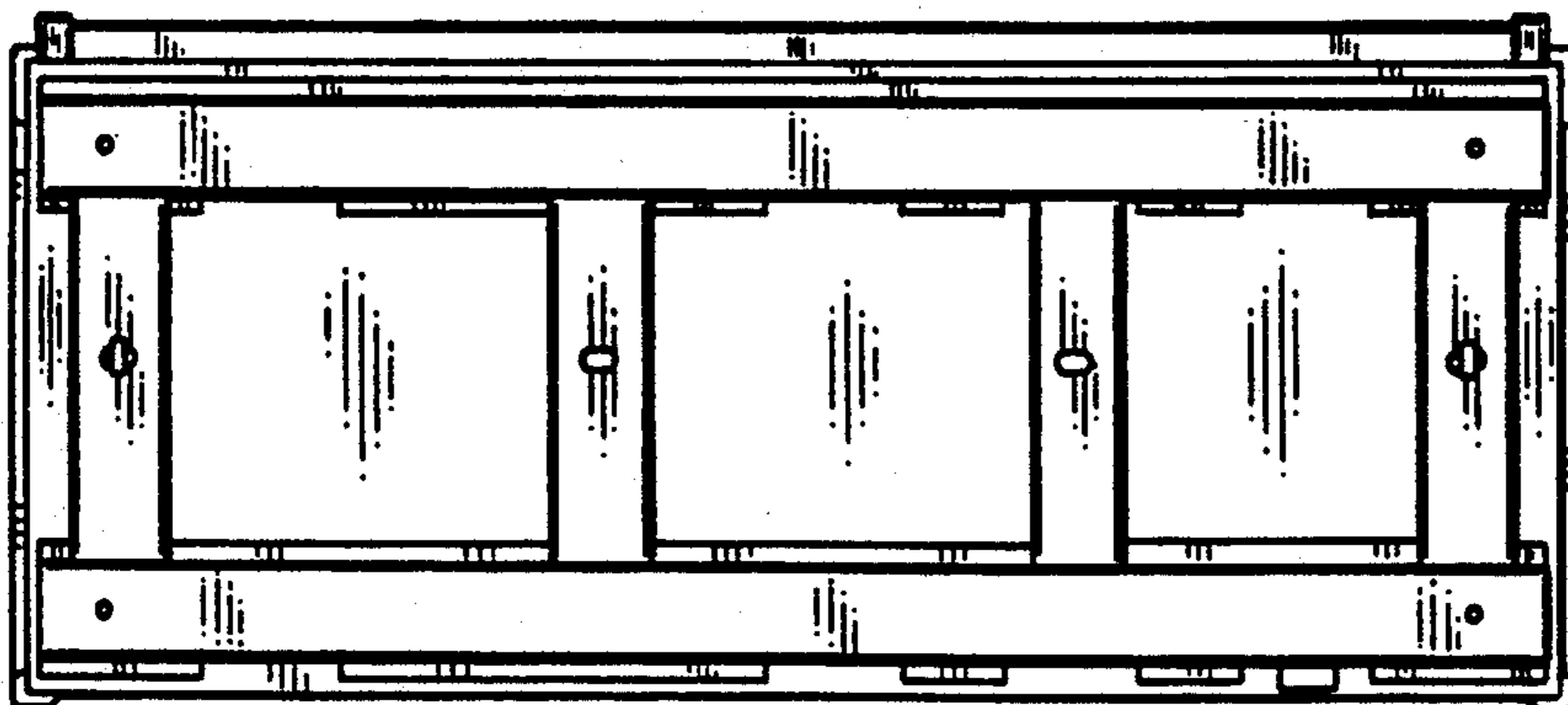


FIG. 6