



US00D326194S

United States Patent [19]

[11] Patent Number: **Des. 326,194**

Lewis

[45] Date of Patent: **** May 19, 1992**

[54] **CHEST OF DRAWERS**

D. 224,871 10/1972 Winrow D6/446

[76] Inventor: **Sally S. Lewis**, 8950 St. Ives Dr., Los Angeles, Calif. 90069

Primary Examiner—Donald P. Walsh
Assistant Examiner—Monica A. Hannon
Attorney, Agent, or Firm—Charles H. Schwartz;
Ellsworth R. Roston

[**] Term: **14 Years**

[21] Appl. No.: **456,285**

[57] **CLAIM**

[22] Filed: **Dec. 26, 1989**

The ornamental design for a chest of drawers, as shown and described.

[52] U.S. Cl. **D6/446; D6/432; D6/441; D6/445; D6/448; D6/479**

[58] Field of Search **D6/396, 397, 407, 410, D6/411-415, 421, 422, 432, 445, 446, 448, 467, 441, 468, 475, 479, 495; D7/616; 108/33, 59, 111; 211/163**

DESCRIPTION

FIG. 1 is a front perspective view of a chest of drawers showing my new design;
FIG. 2 is a front elevational view thereof;
FIG. 3 is a left side elevational view thereof;
FIG. 4 is a right side elevational view thereof;
FIG. 5 is a top plan view thereof;
FIG. 6 is a rear elevational view thereof; and,
FIG. 7 is a bottom plan view thereof.

[56] **References Cited**

U.S. PATENT DOCUMENTS

D. 134,978 2/1943 Waltman D6/479 X
D. 150,825 9/1948 Buckner D6/441

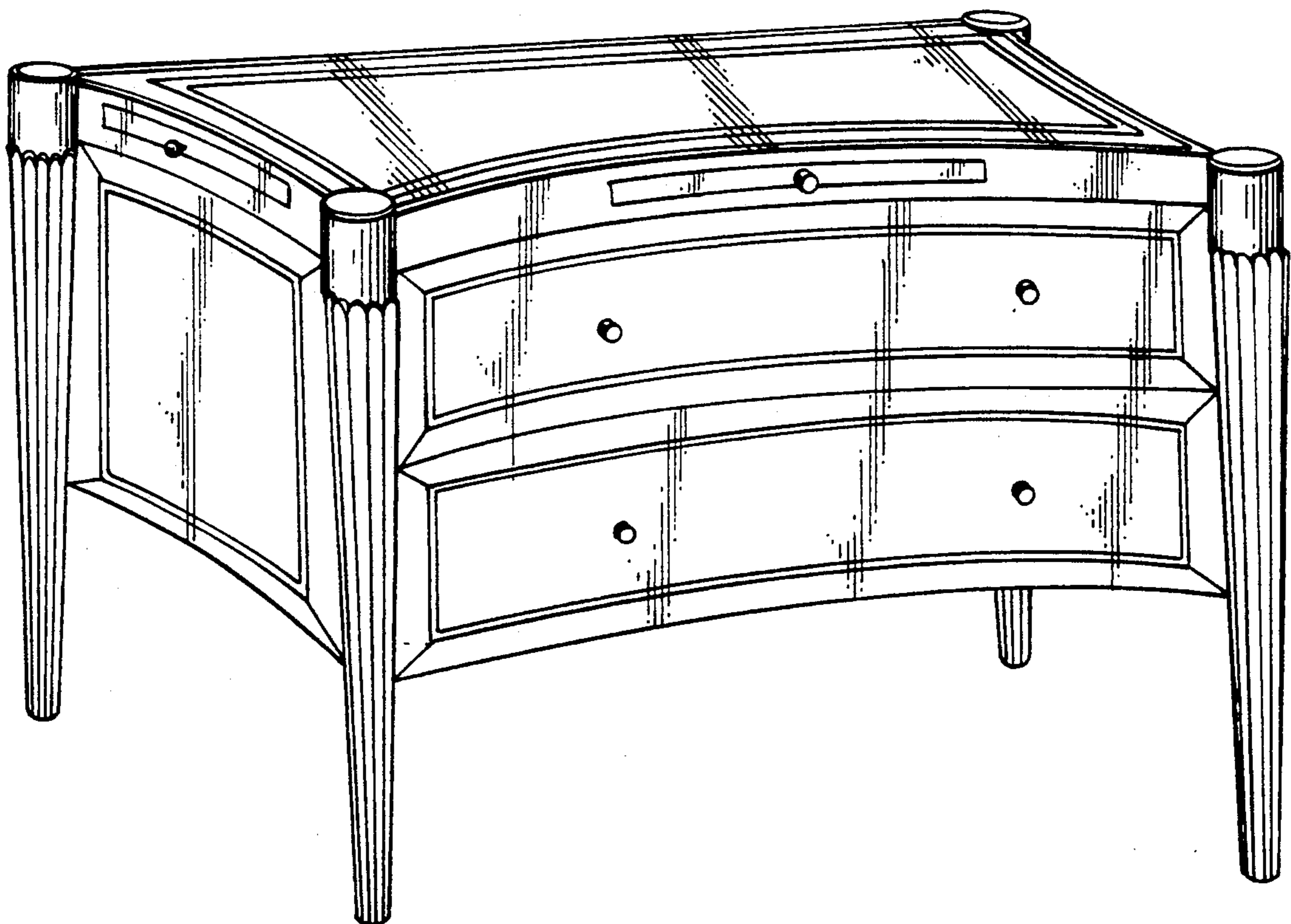


FIG. 1

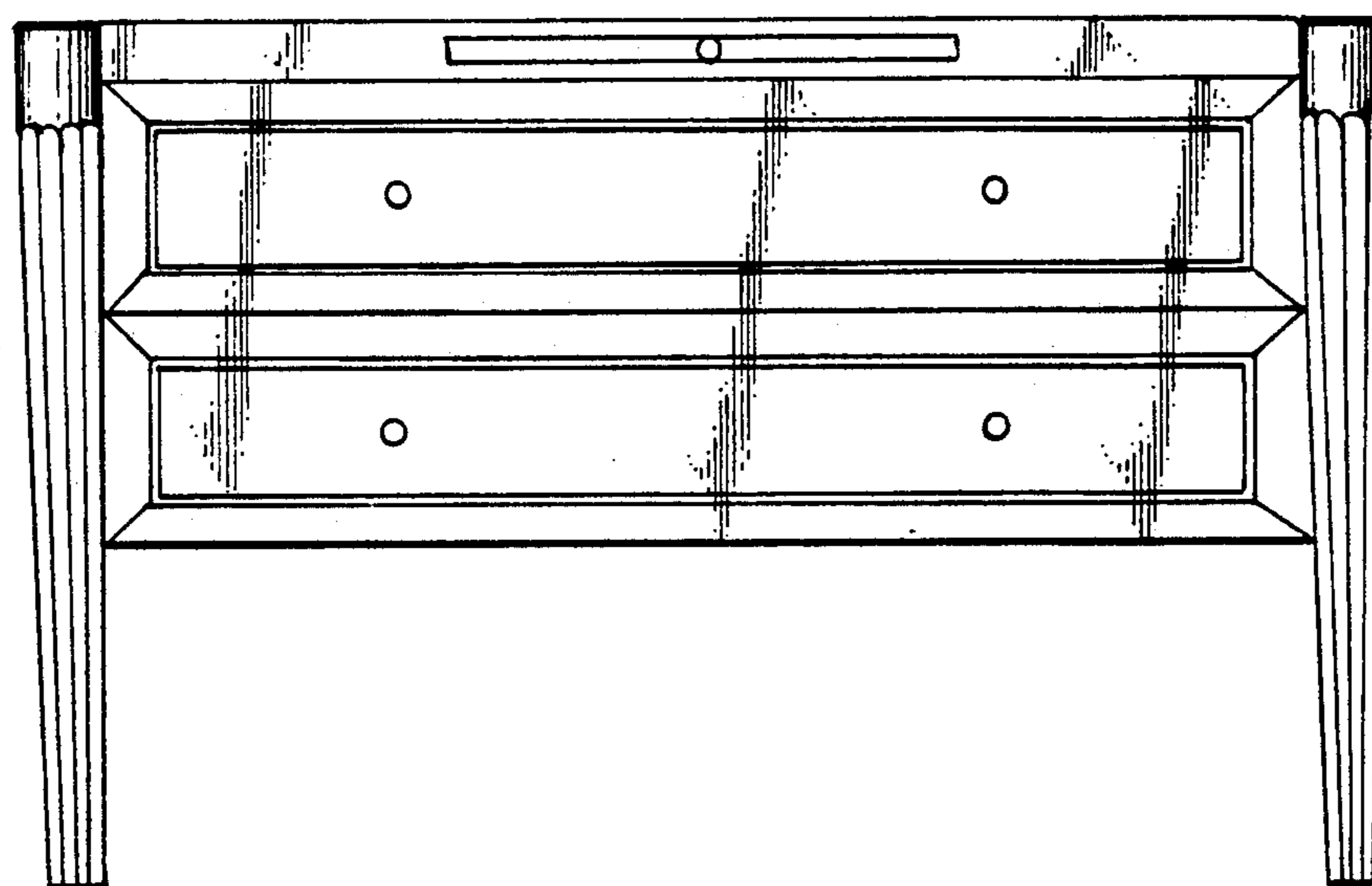
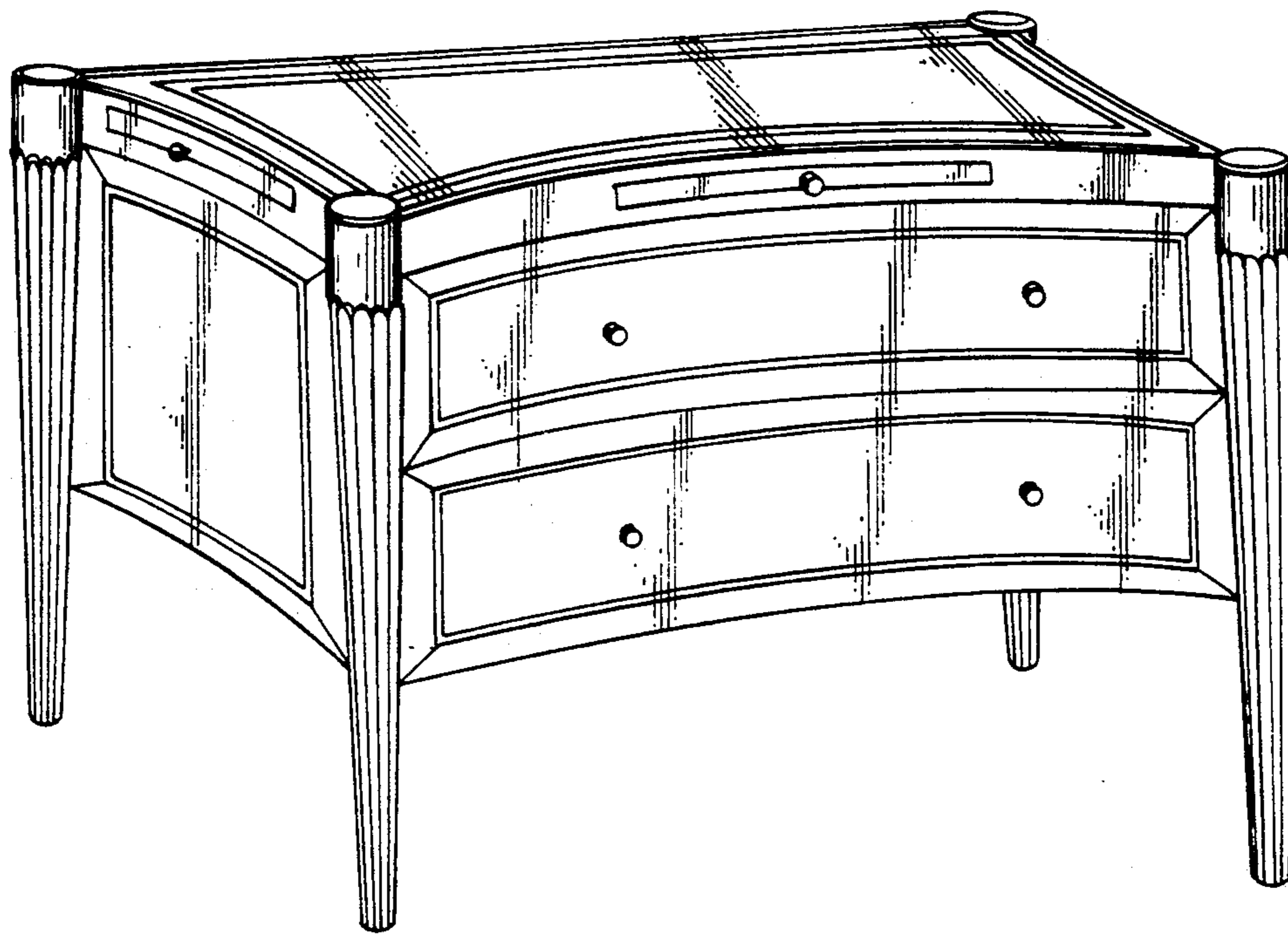


FIG. 2

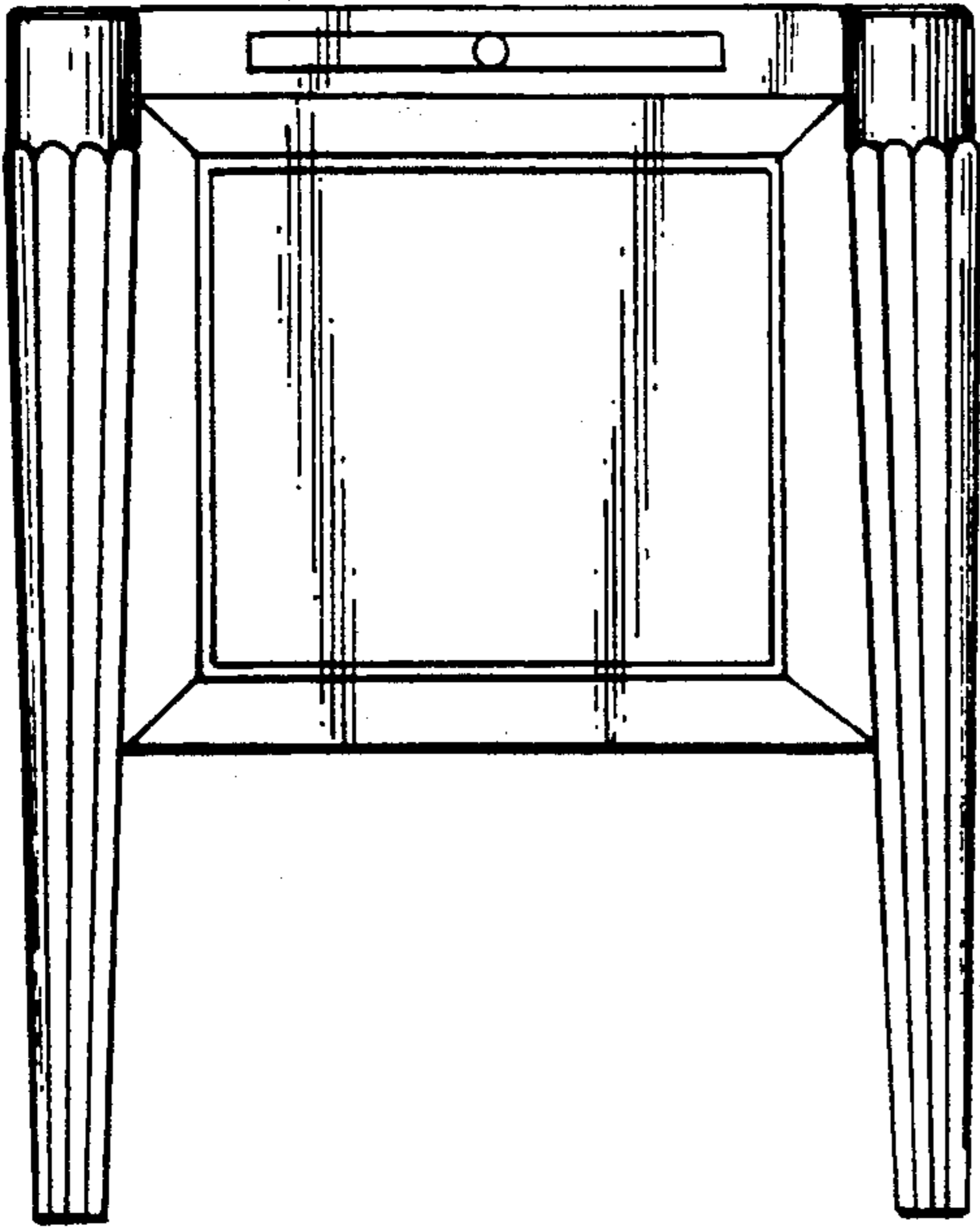
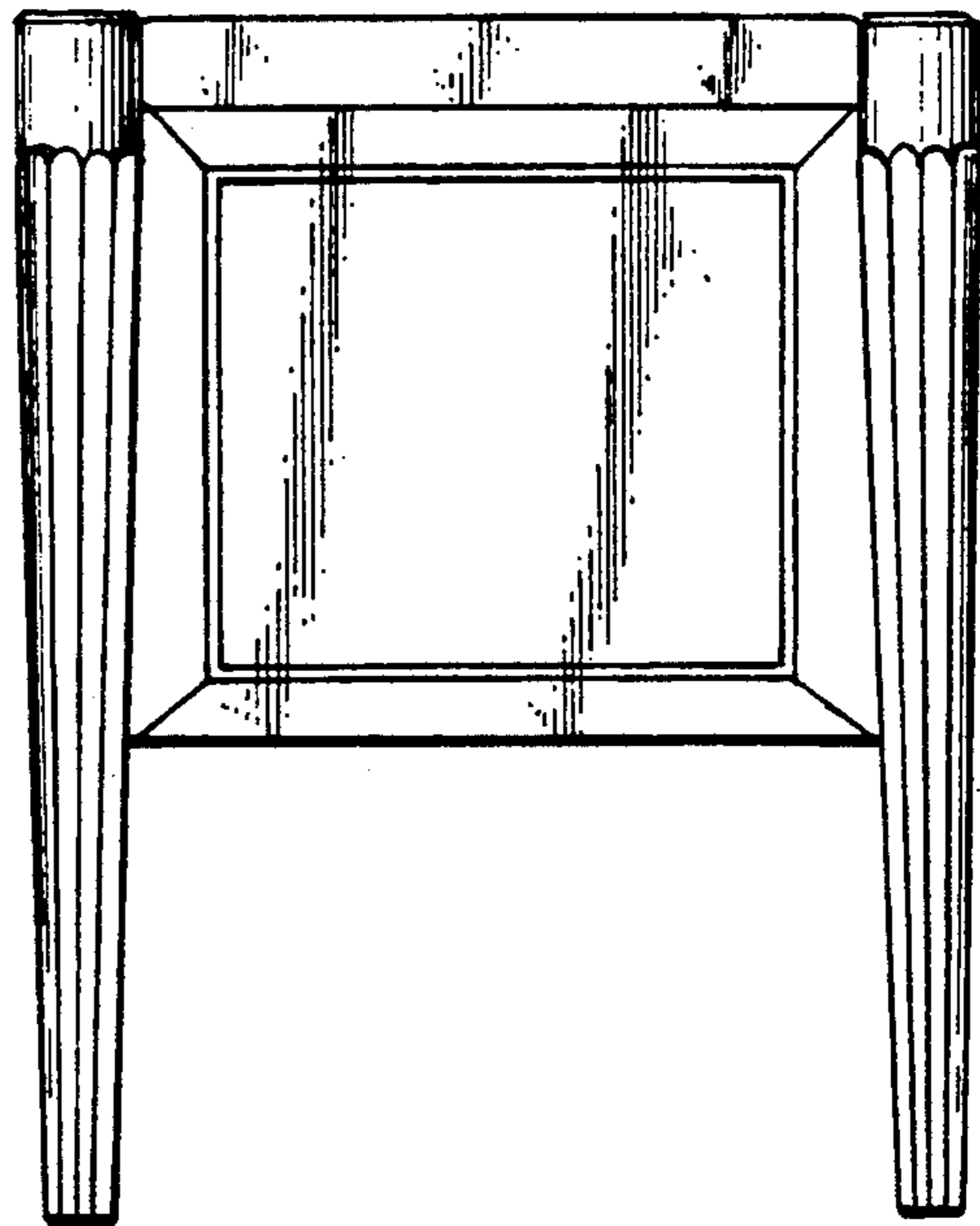


FIG. 3

FIG. 4



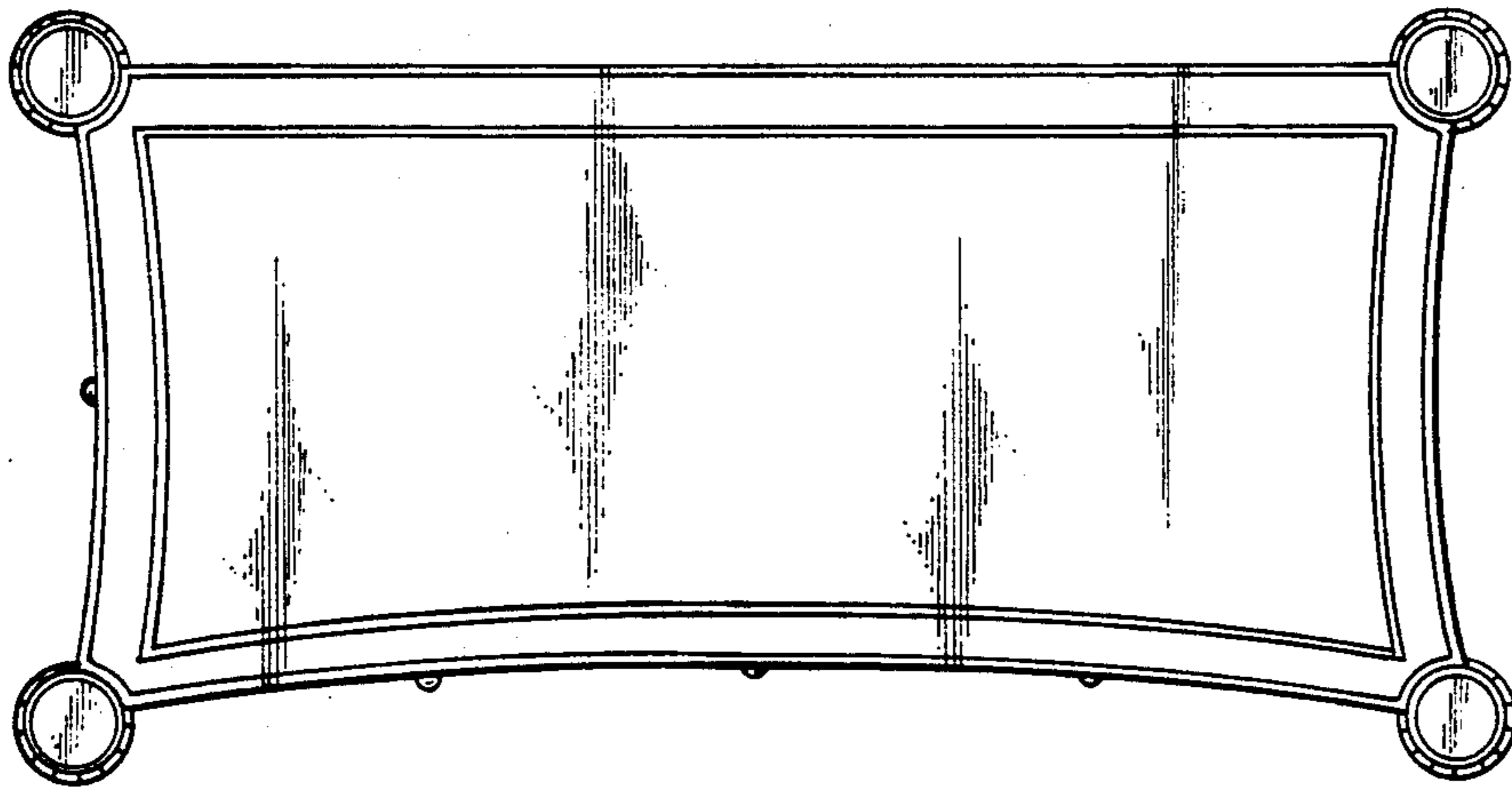


FIG. 5

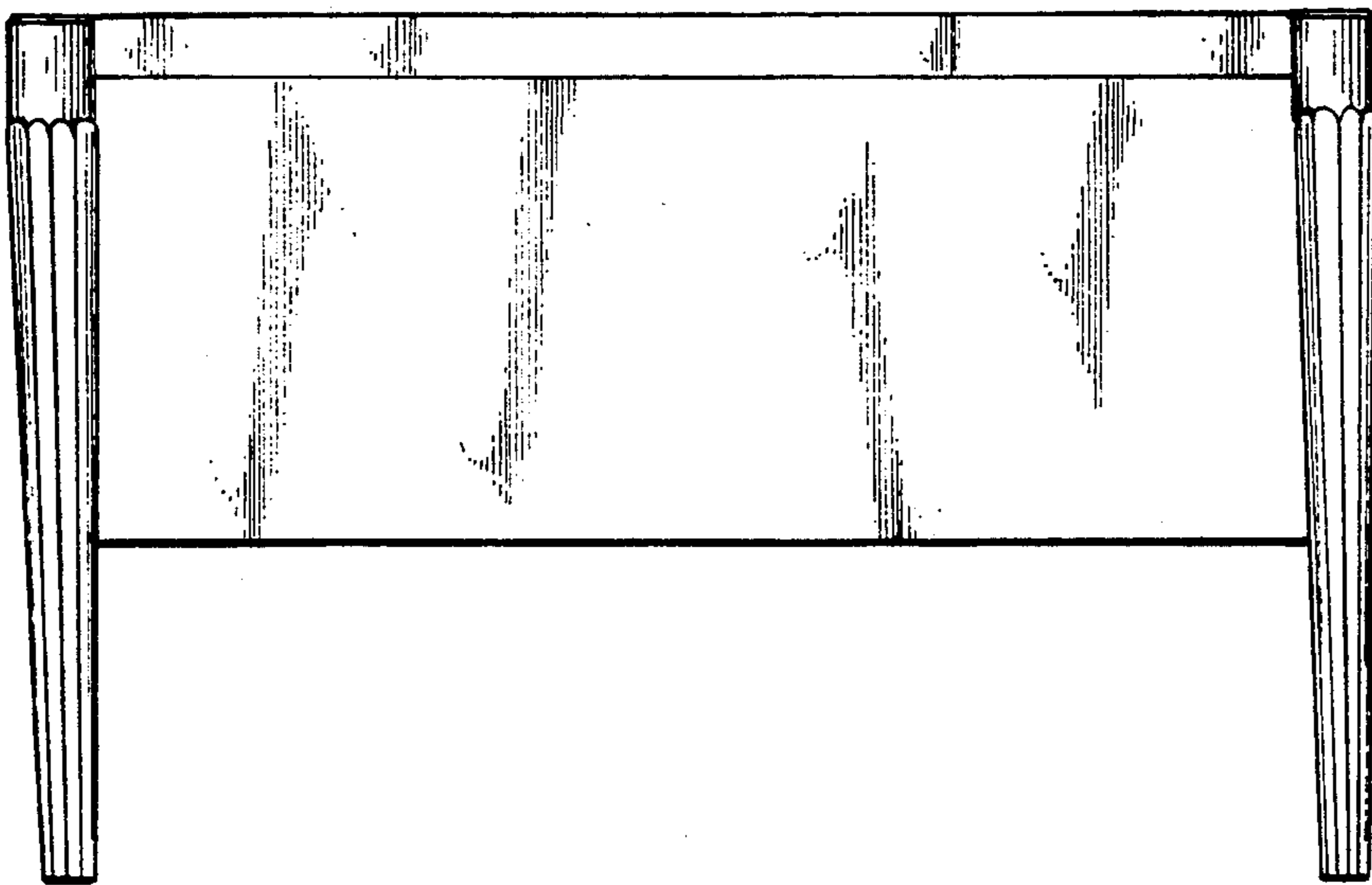


FIG. 6

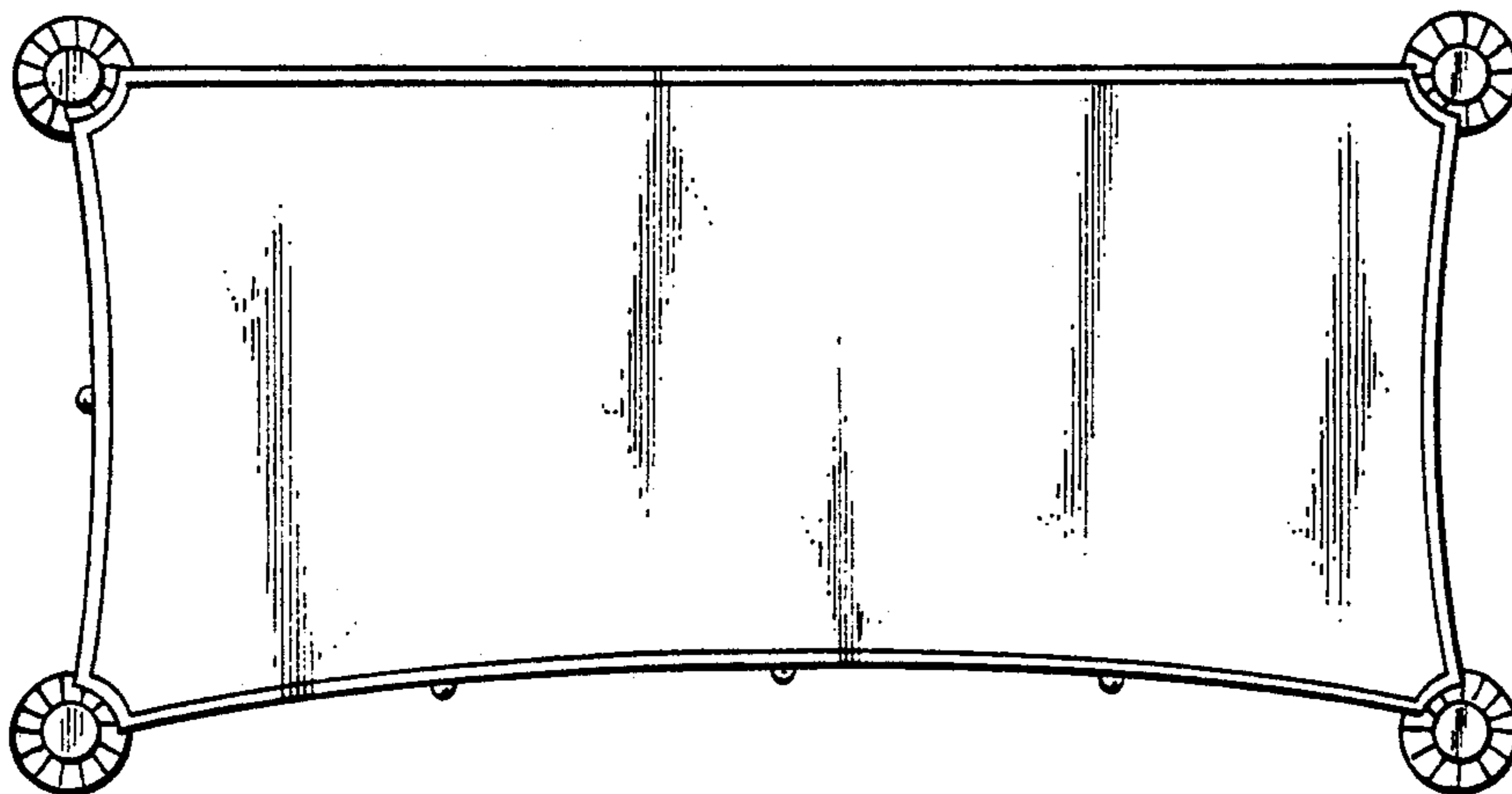


FIG. 7