



US00D326191S

United States Patent [19]

[11] Patent Number: **Des. 326,191**

Schiffman

[45] Date of Patent: **** May 19, 1992**

[54] **CHILDREN'S ACTIVITY CENTER**

[75] Inventor: **Alvin Schiffman, Palm Beach, Fla.**

[73] Assignee: **Jis, Inc., Boca Rotan, Fla.**

[**] Term: **14 Years**

[21] Appl. No.: **397,306**

[22] Filed: **Aug. 23, 1989**

[52] U.S. Cl. **D6/338; D6/329; D6/332; D6/336; D6/354; D6/364; D6/375; D6/495**

[58] Field of Search **D6/329, 499, 332, 500, D6/333, 501, 335, 502, 336, 503, 338, 346, 347, 349, 354, 356, 358, 364, 365, 366, 370, 374, 375, 418, 477, 484, 495, 497, 498**

[56] **References Cited**

U.S. PATENT DOCUMENTS

- D. 138,252 7/1944 Jones D6/338 X
- D. 168,791 2/1953 Giltner D6/338
- D. 205,657 9/1966 Zanuso D6/375 X
- D. 273,060 3/1984 Martin D6/338

- D. 279,334 6/1985 Agan et al. D6/354
- D. 288,866 3/1987 Cadwallader D6/336 X
- D. 288,867 3/1987 Cadwallader D6/336 X
- 2,894,561 7/1959 Mackintosh D6/338 X

Primary Examiner—Donald P. Walsh
Assistant Examiner—Monica A. Hannon
Attorney, Agent, or Firm—Howard C. Miskin

[57] **CLAIM**

The ornamental design for a children's activity center, as shown and described.

DESCRIPTION

FIG. 1 is a right side elevational view of a children's activity center showing my new design; FIG. 2 is a top plan view thereof; FIG. 3 is a bottom plan view thereof; FIG. 4 is a left end elevational view thereof; FIG. 5 is a right end elevational view thereof; FIG. 6 is a right side elevational view with the children activity center in an open position thereof; and, FIG. 7 is a top plan view with the children's activity center in an open position thereof.

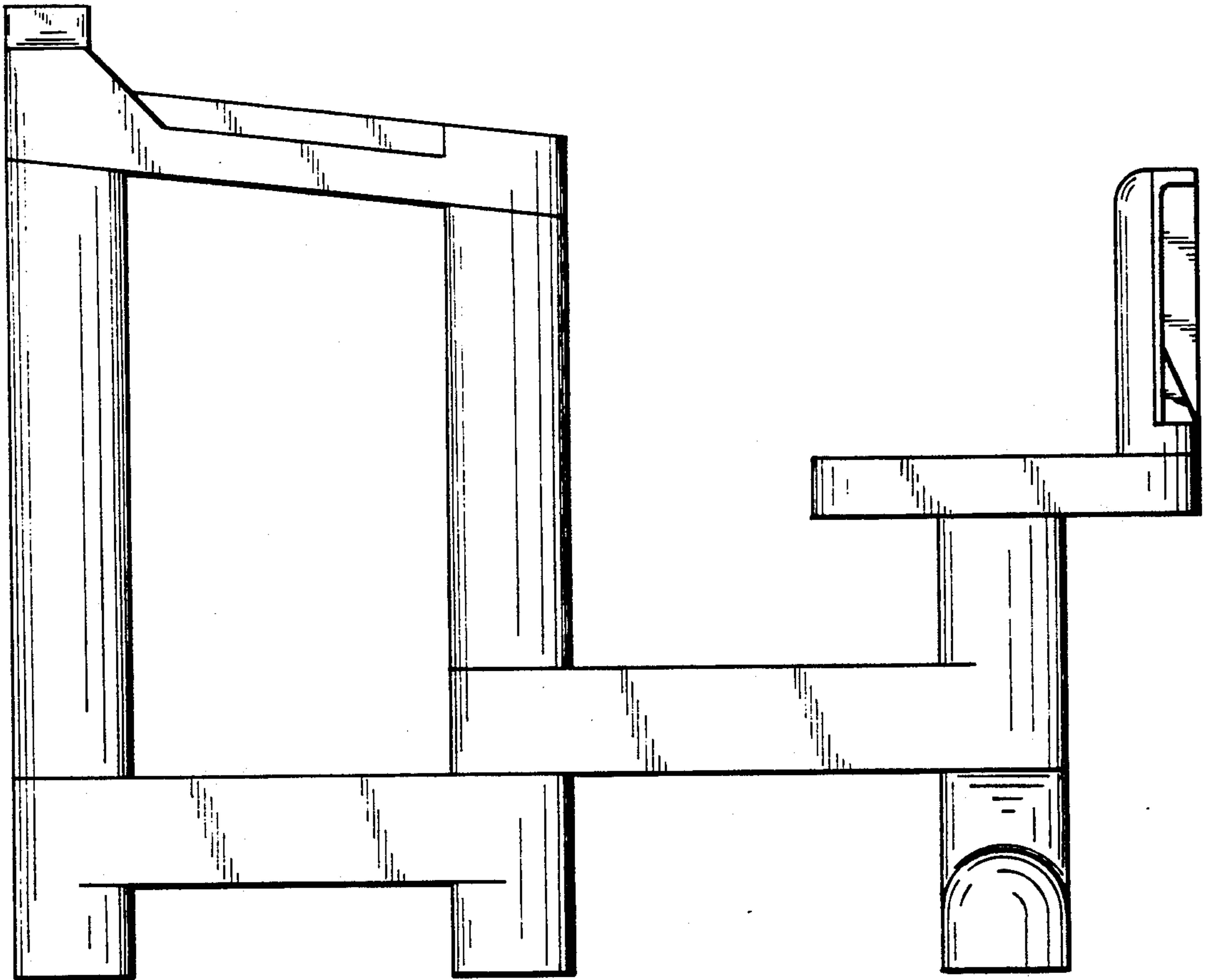


FIG. 1

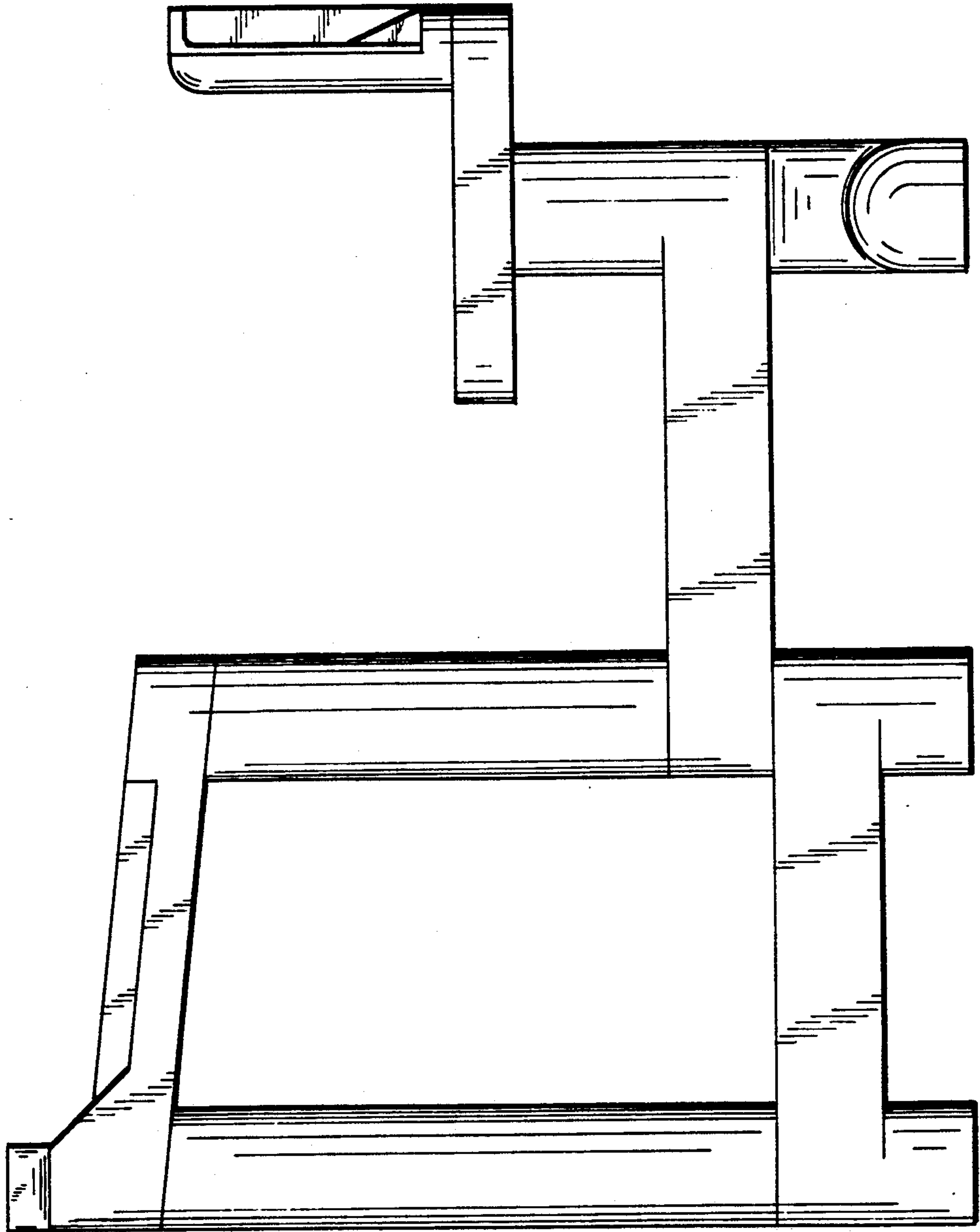


FIG. 2

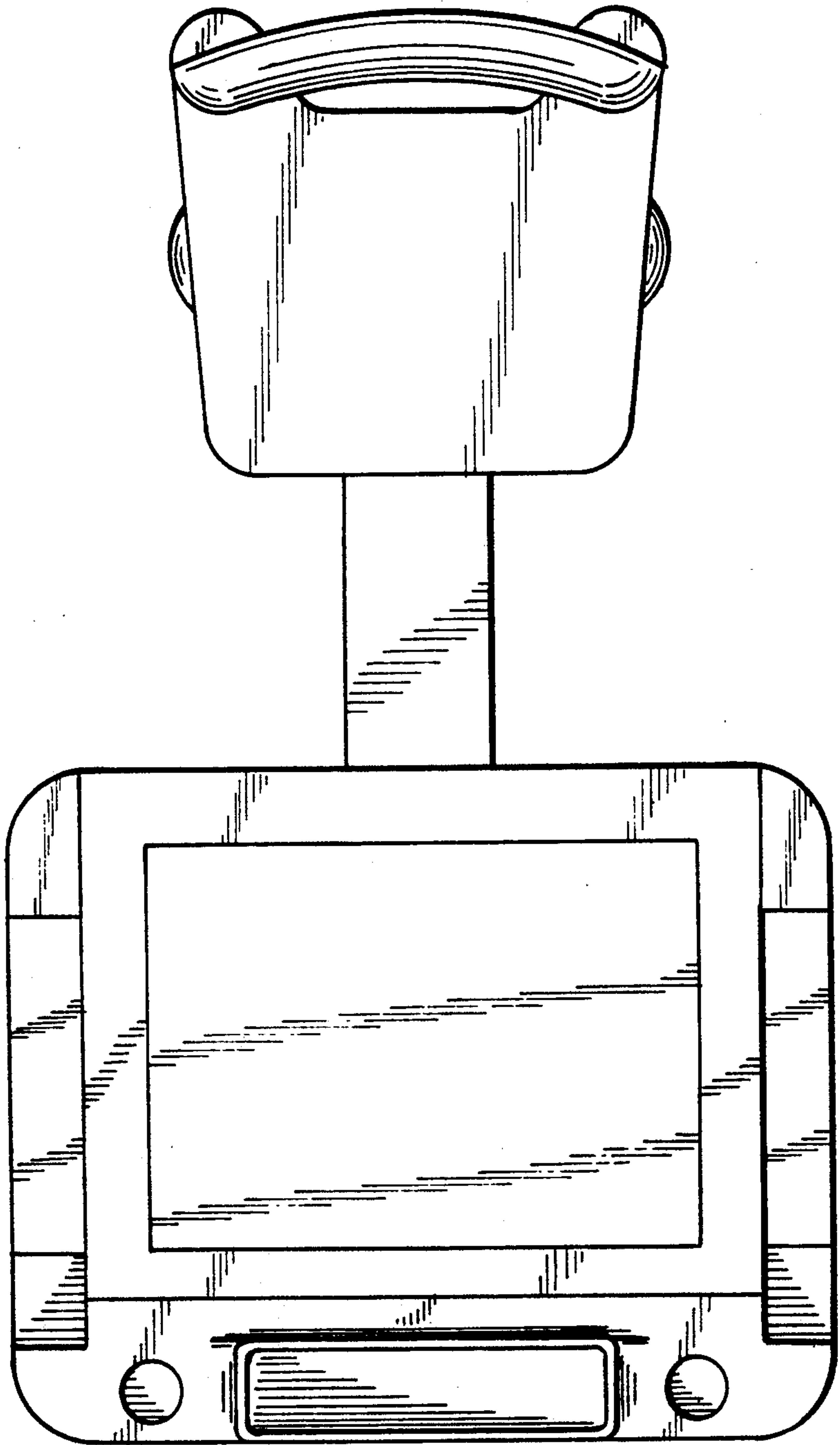


FIG. 3

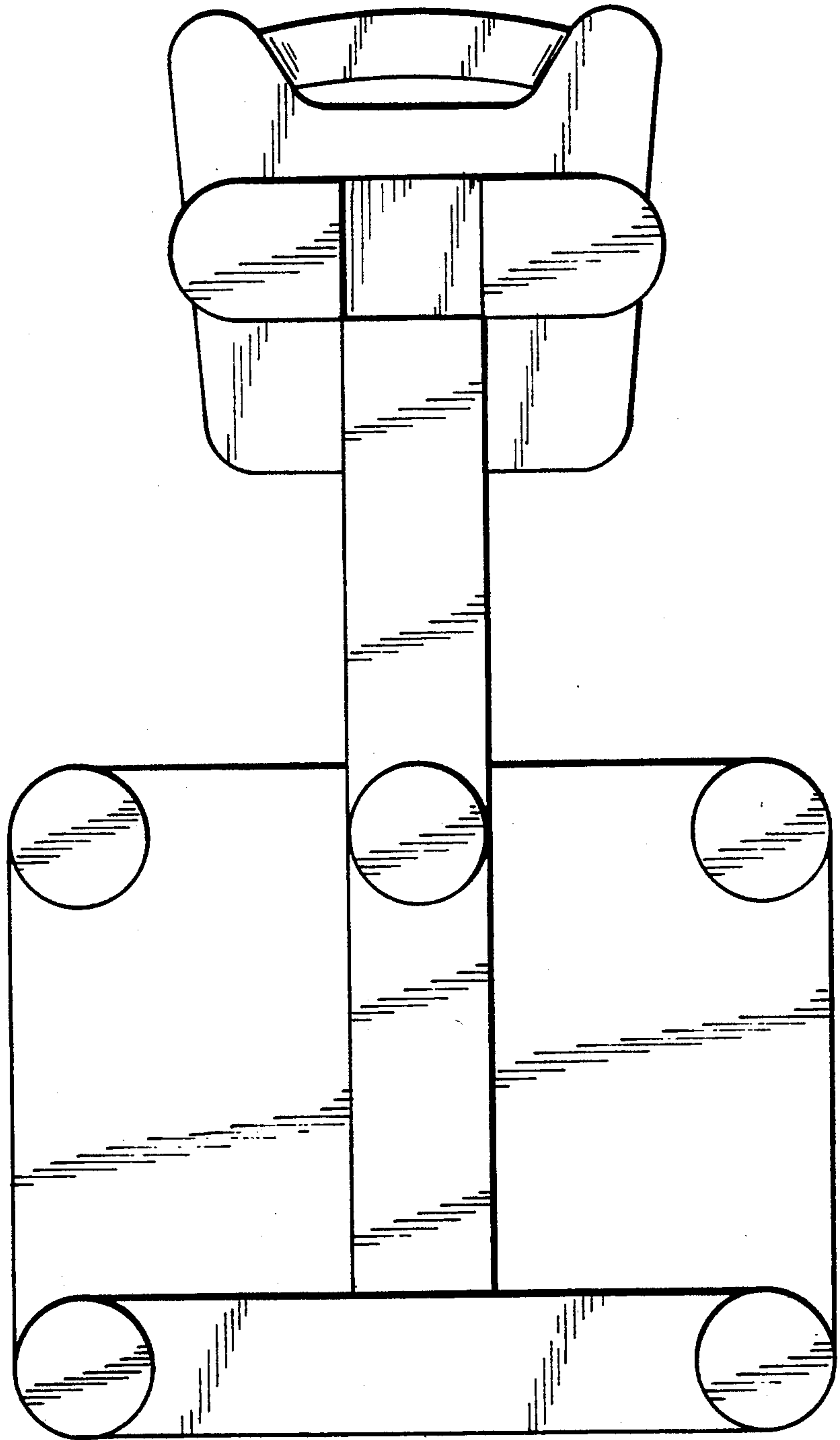


FIG. 5

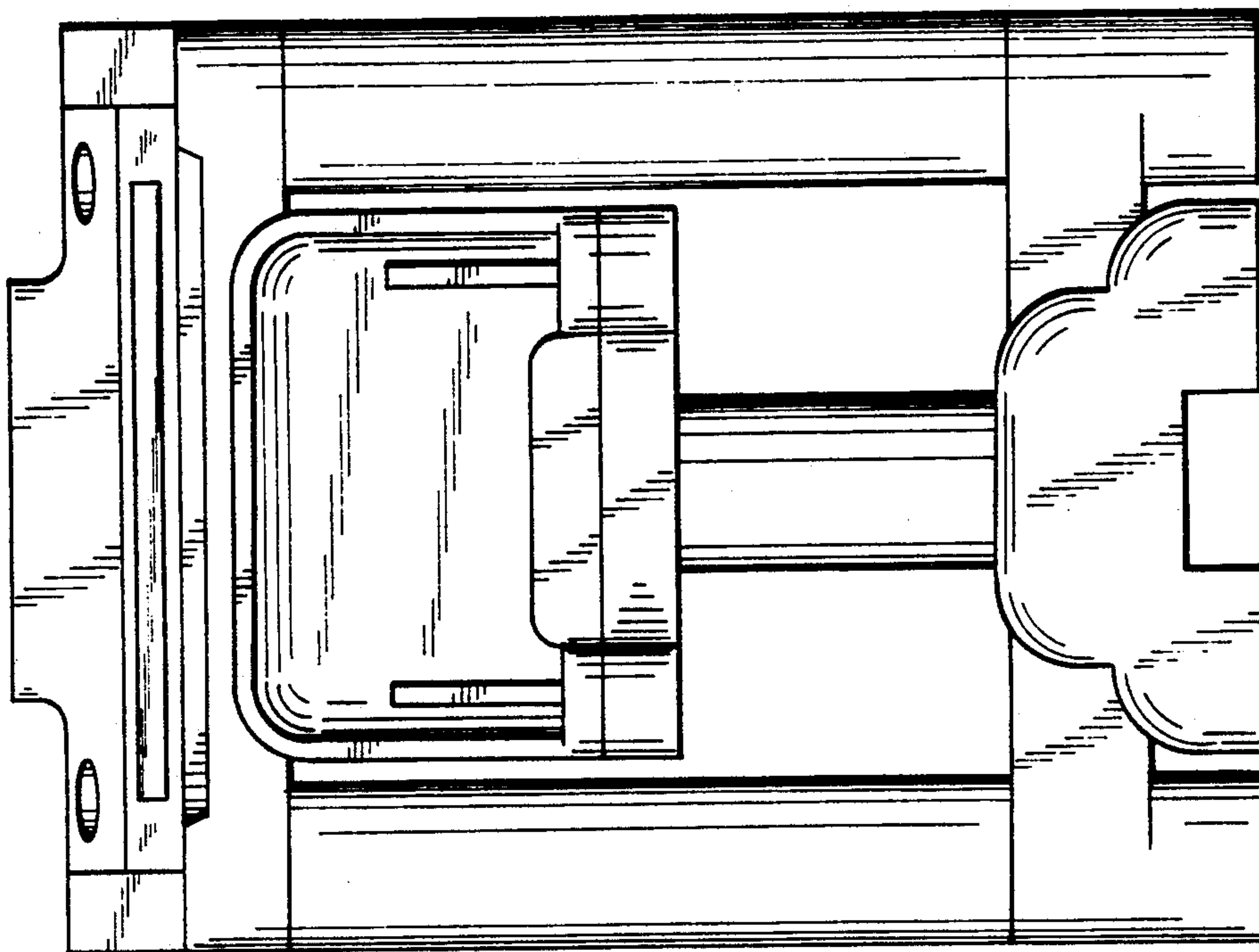


FIG. 4

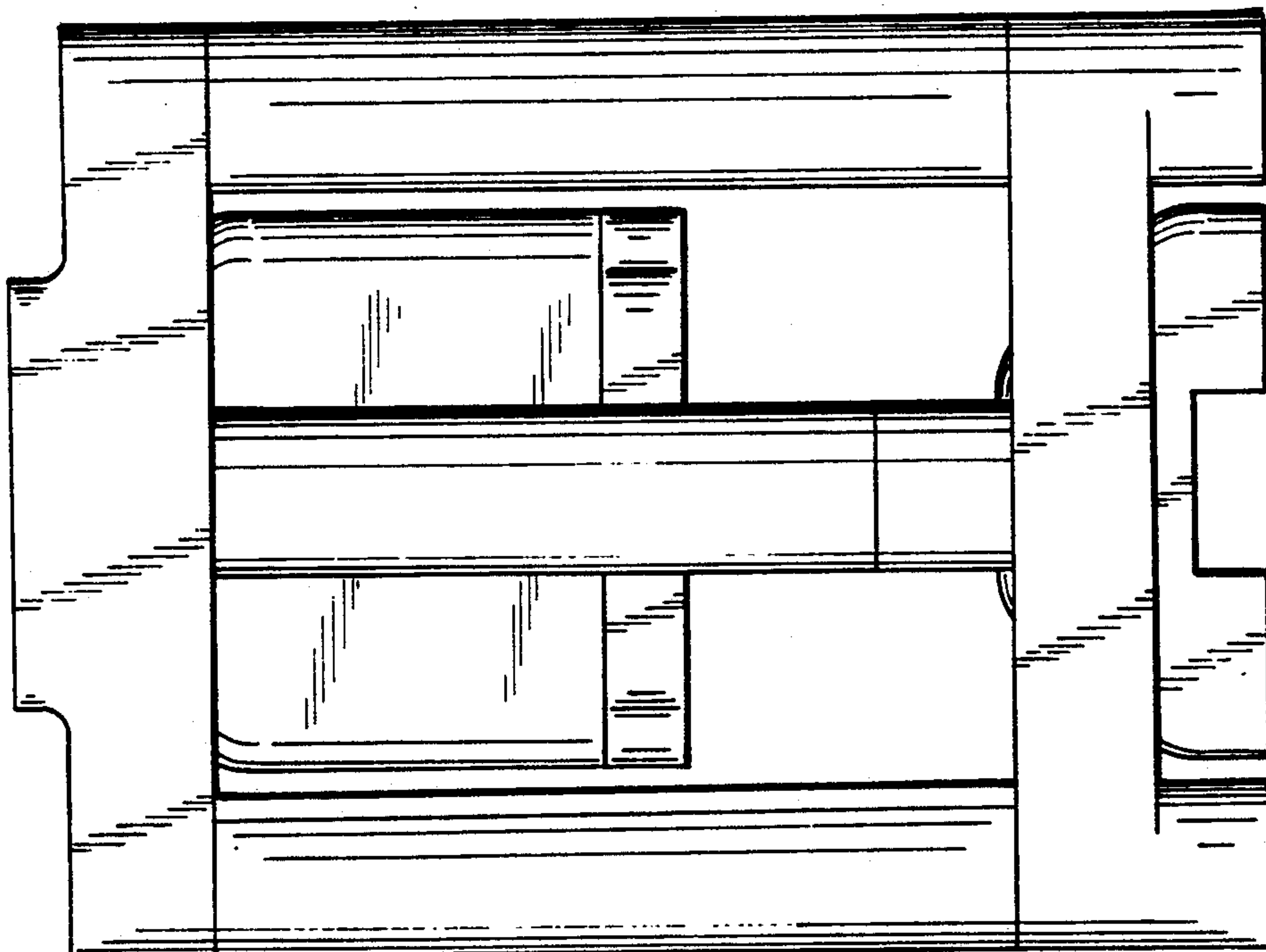


FIG. 6

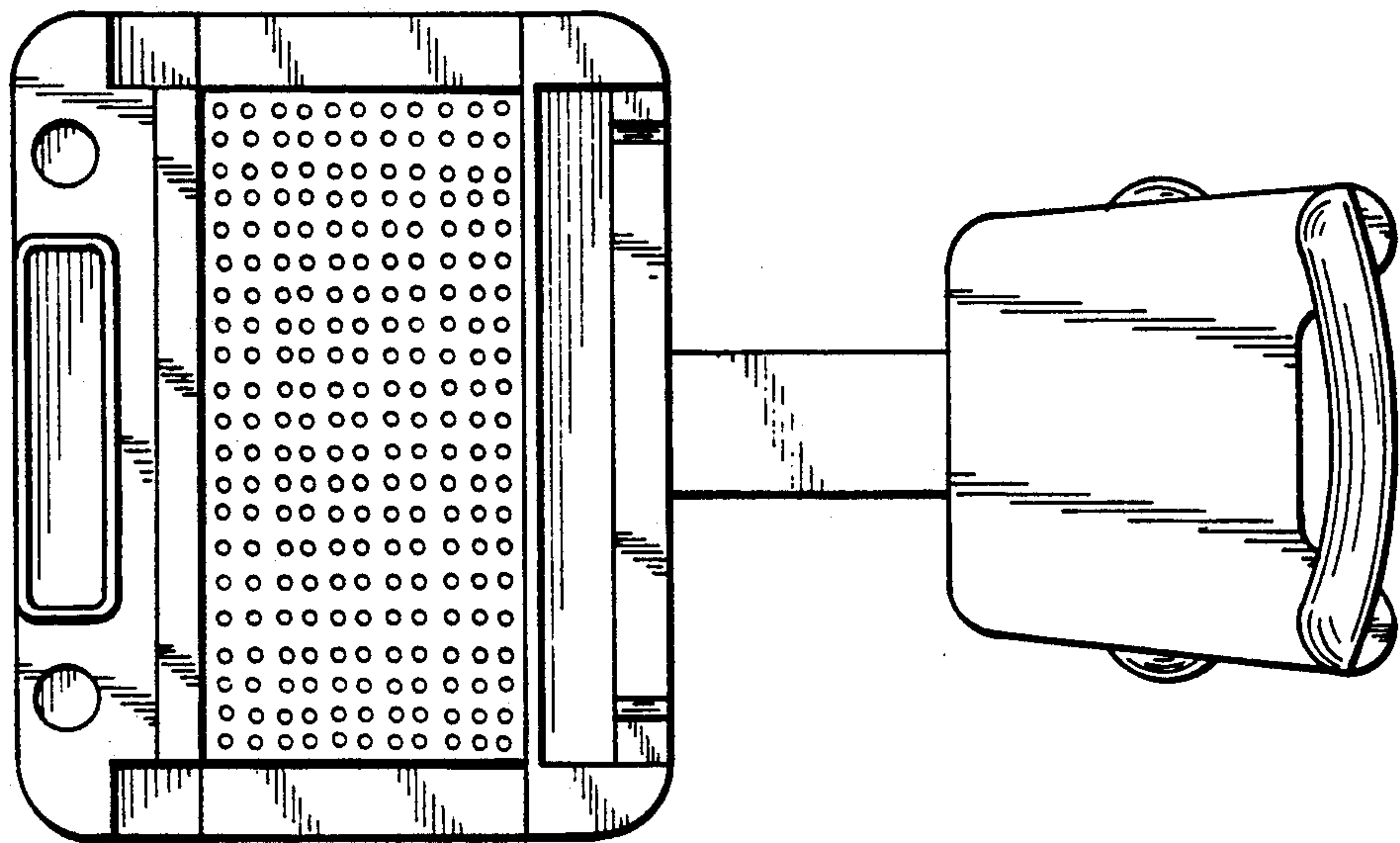
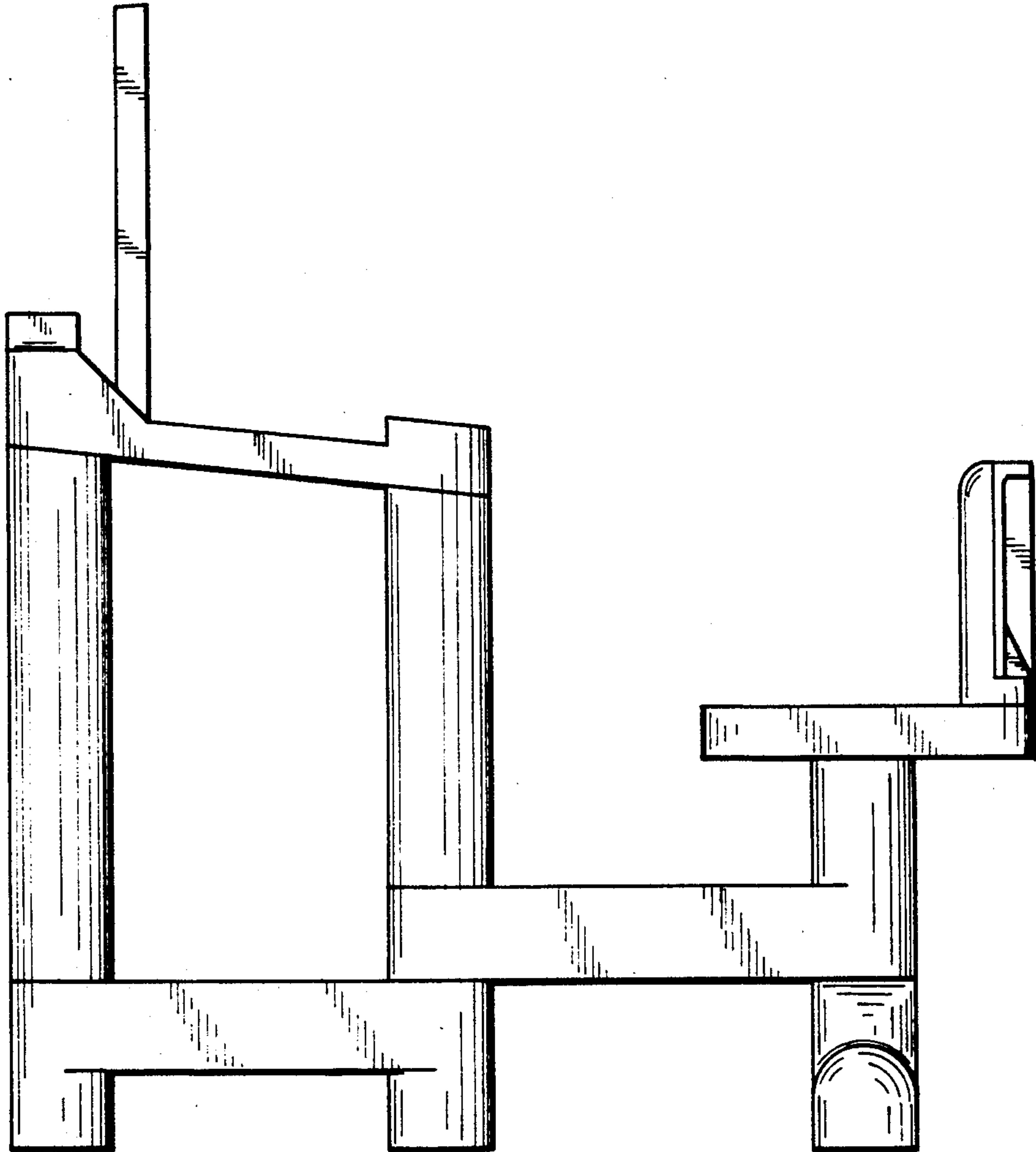


FIG. 7