



US00D326189S

United States Patent [19]

[11] Patent Number: **Des. 326,189**

Brooks

[45] Date of Patent: **** May 19, 1992**

[54] MUSICAL TOOTHBRUSH WITH ADJUSTABLE NECK AND MIRROR

[76] Inventor: **Latonya M. R. Brooks**, 4911 Jay St., NE. #1, Washington, D.C. 20019

[**] Term: **14 Years**

[21] Appl. No.: **289,761**

[22] Filed: **Dec. 27, 1988**

[52] U.S. Cl. **D4/108; D4/111**

[58] Field of Search **D4/104-113, D4/116, 127, 130, 132, 134, 136, 138, 199; 15/105, 143 R, 159 R, 159 A, 160, 167.1-167.3; 132/308-316**

[56] References Cited

U.S. PATENT DOCUMENTS

D. 122,388	9/1940	Cohen	D4/108
D. 123,388	11/1940	Duey	D4/104
D. 142,917	11/1945	Strieby	D4/111
D. 211,151	5/1968	Gleichert	D4/108
D. 246,878	1/1978	Kitzis	D4/108
D. 250,148	11/1978	Hill et al.	D4/108
D. 281,375	11/1985	Konjovic	D4/104
759,490	5/1904	Yates	D4/104 X

OTHER PUBLICATIONS

Sunset House ©1966, Musical Toothbrush, item No. 8456 p. 5.

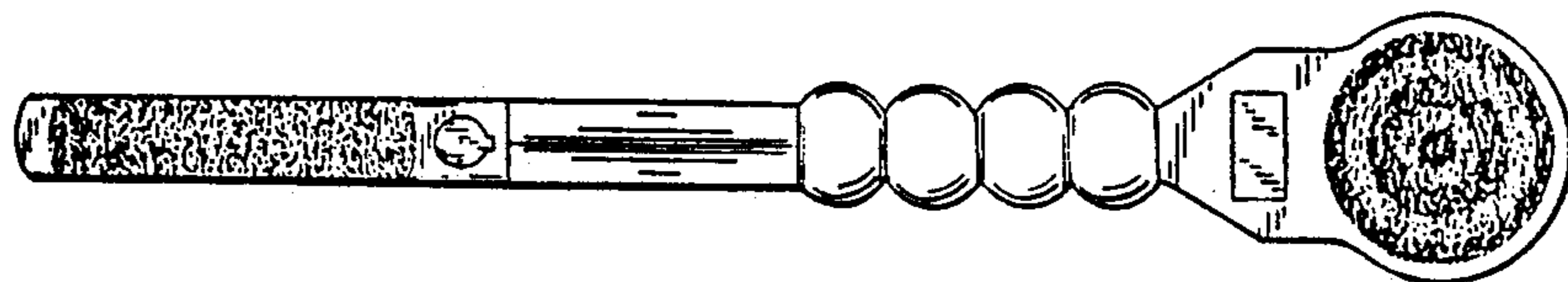
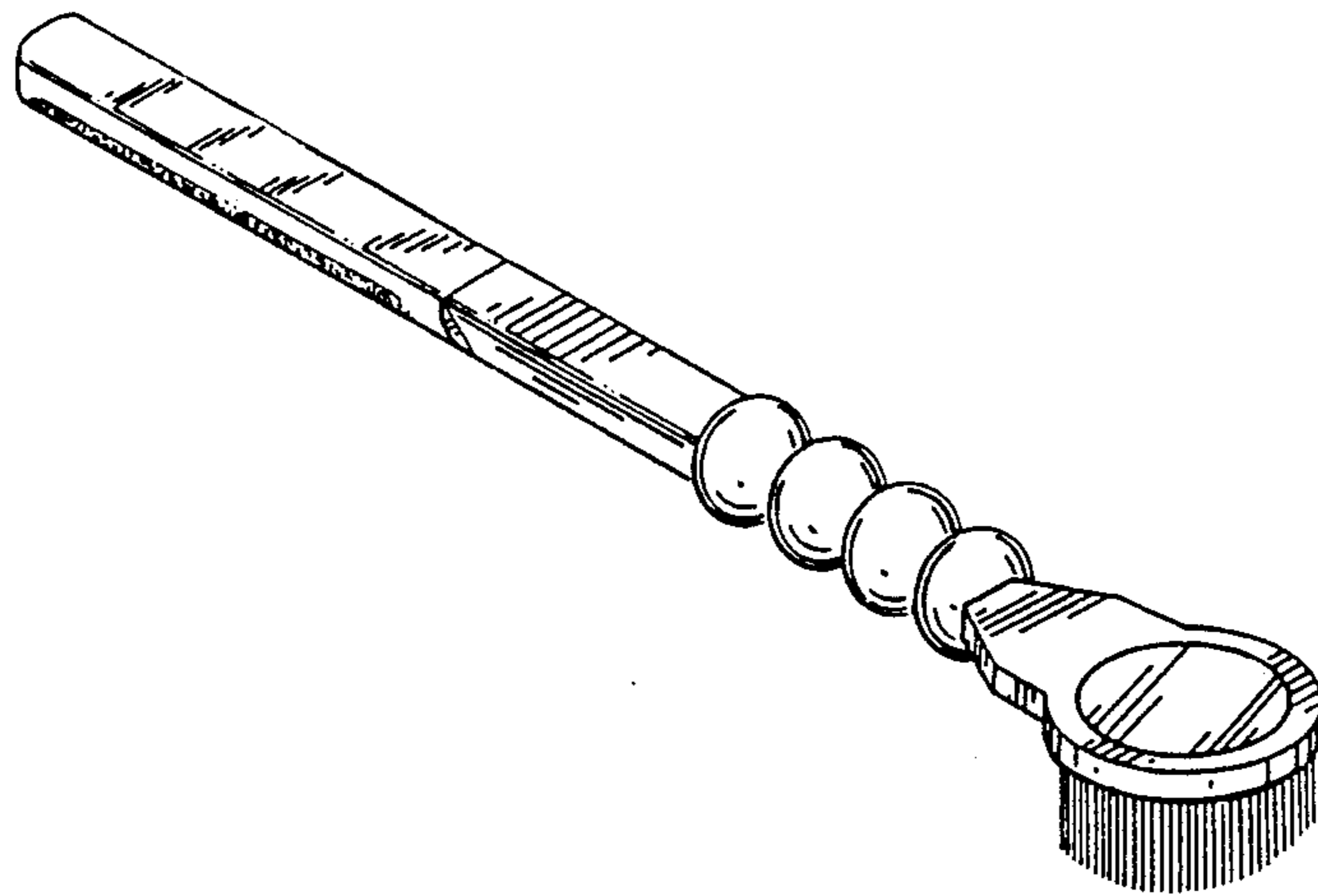
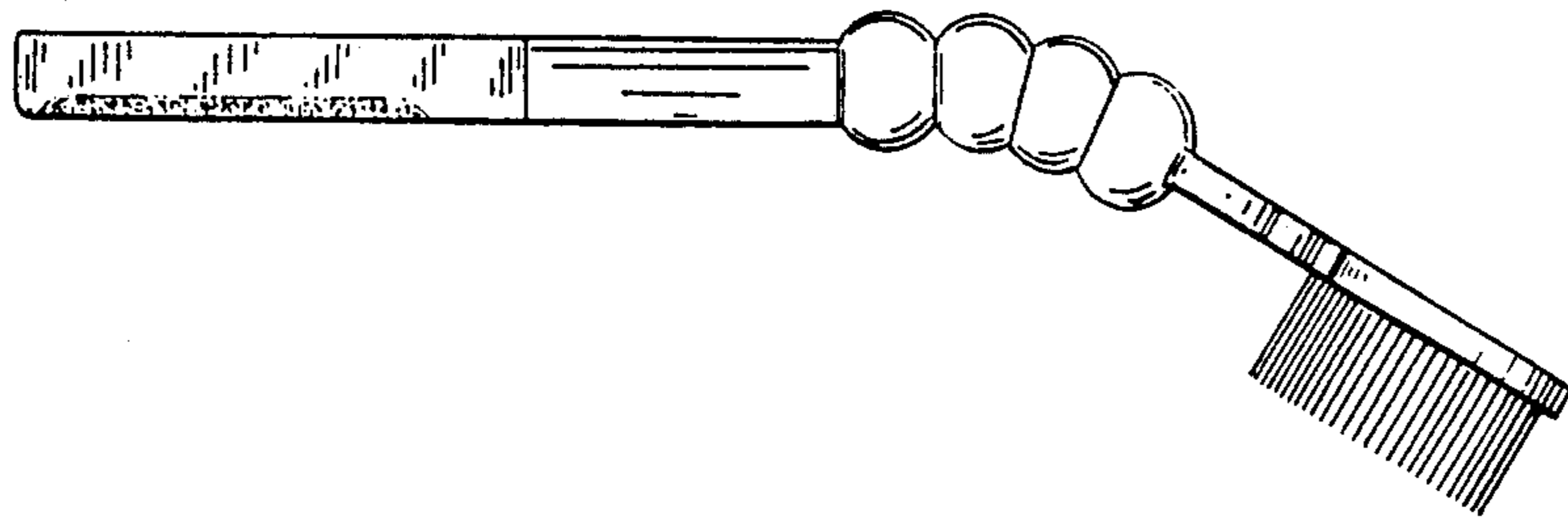
Primary Examiner—Wallace R. Burke
Assistant Examiner—Lavone D. Tabor

[57] CLAIM

The ornamental design for a musical toothbrush with adjustable neck and mirror, as shown and described.

DESCRIPTION

FIG. 1 is a perspective view of a musical toothbrush with adjustable neck and mirror showing my new design;
 FIG. 2 is a bottom plan view thereof;
 FIG. 3 is a top plan view thereof;
 FIG. 4 is a side elevational view thereof, the opposite side being a mirror image;
 FIG. 5 is a side elevational view thereof, shown with the head in an alternate position;
 FIG. 6 is an end elevational view as seen from the right of FIG. 4; and,
 FIG. 7 is an elevational view of the opposite end thereof.



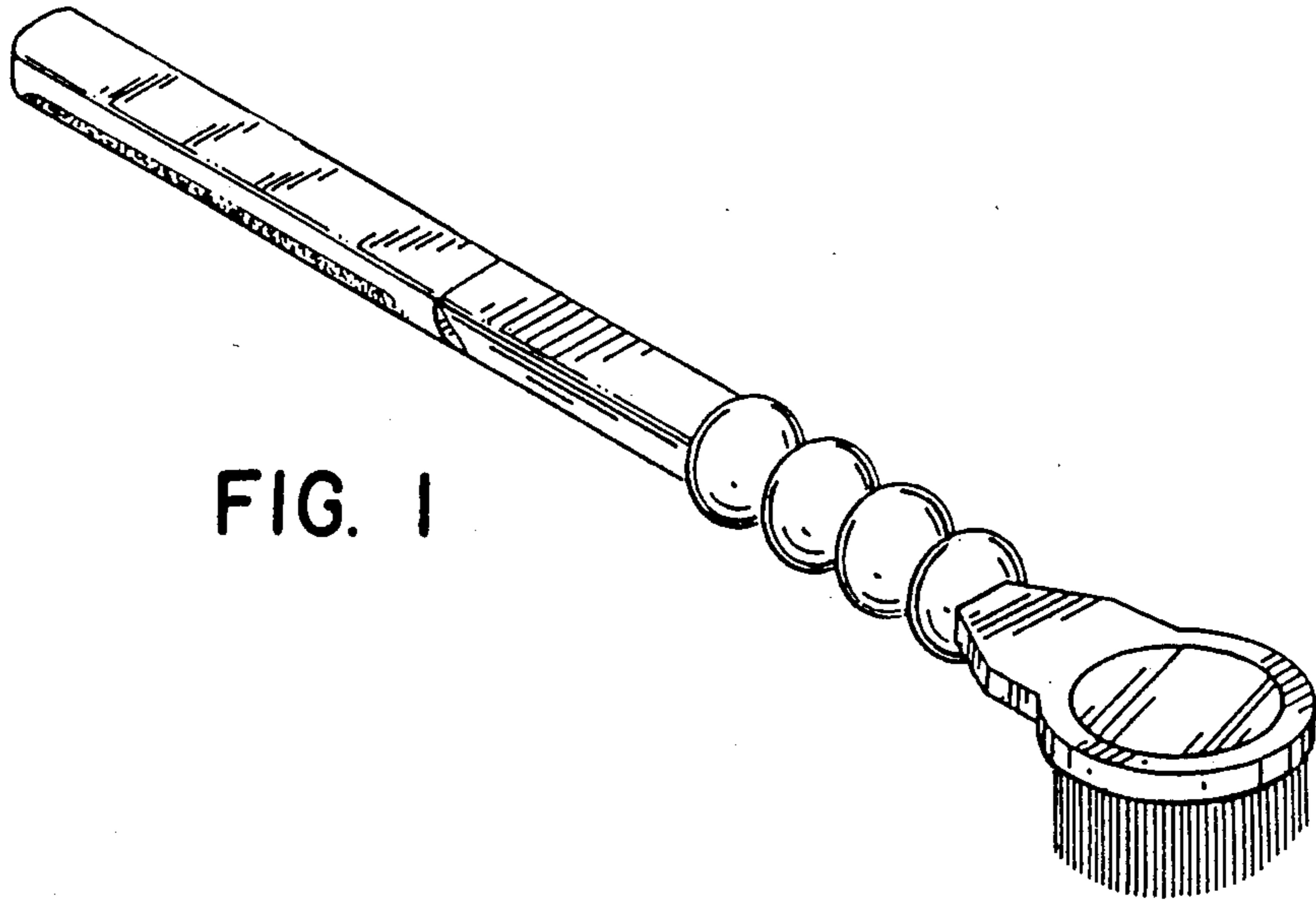


FIG. 1

FIG. 2

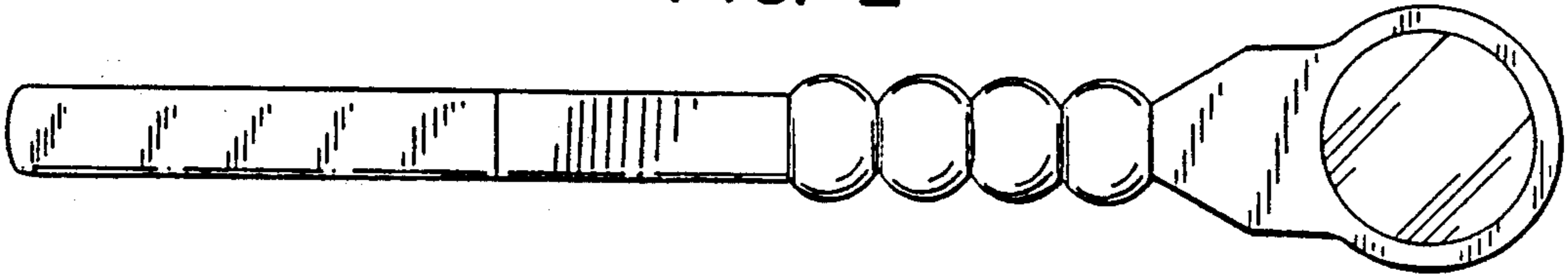


FIG. 3

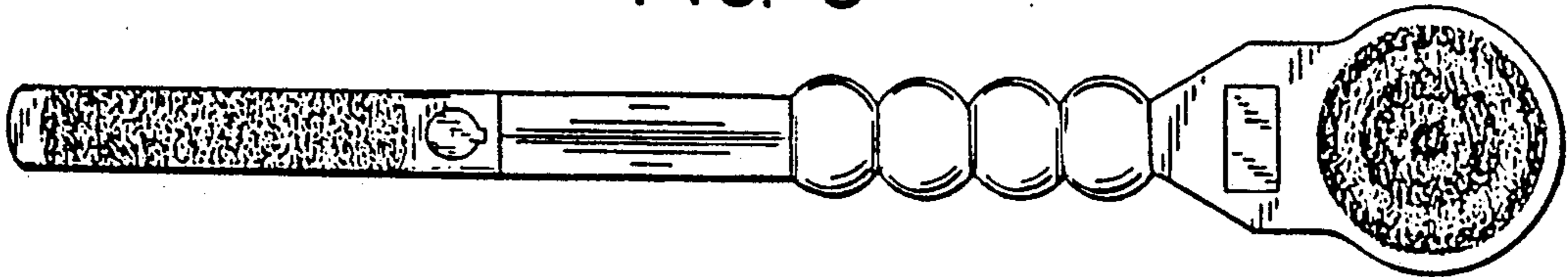


FIG. 4

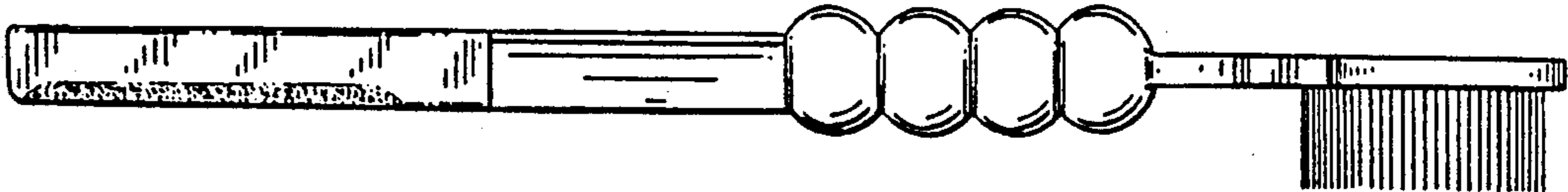


FIG. 5

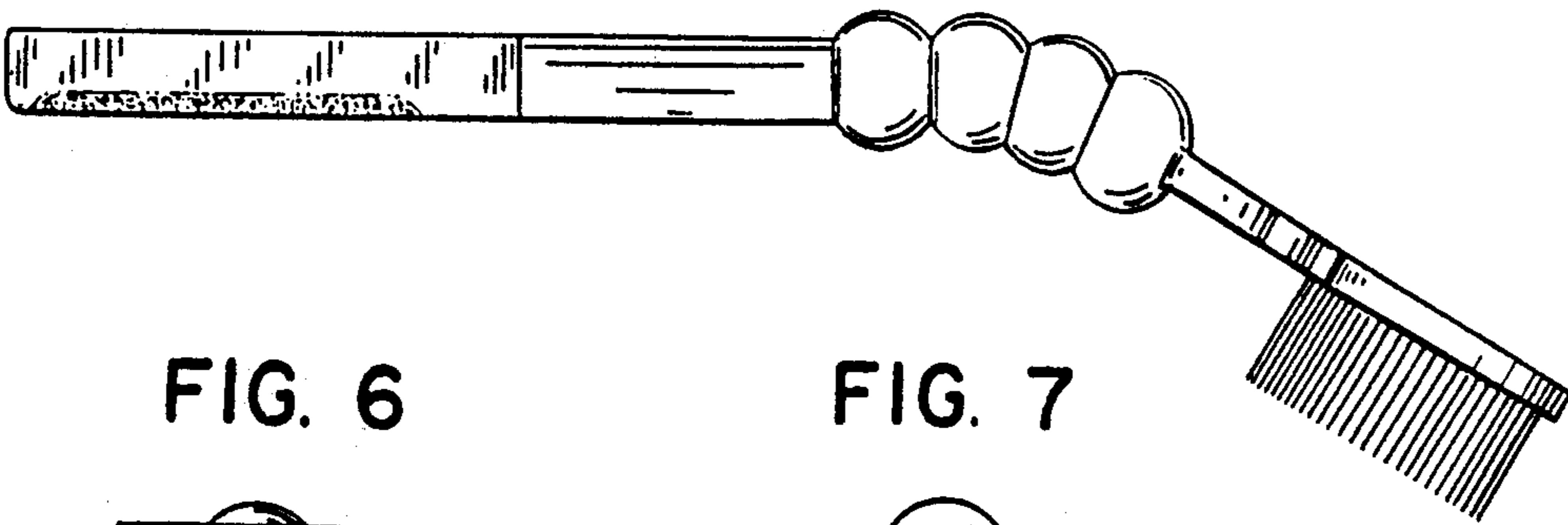


FIG. 6

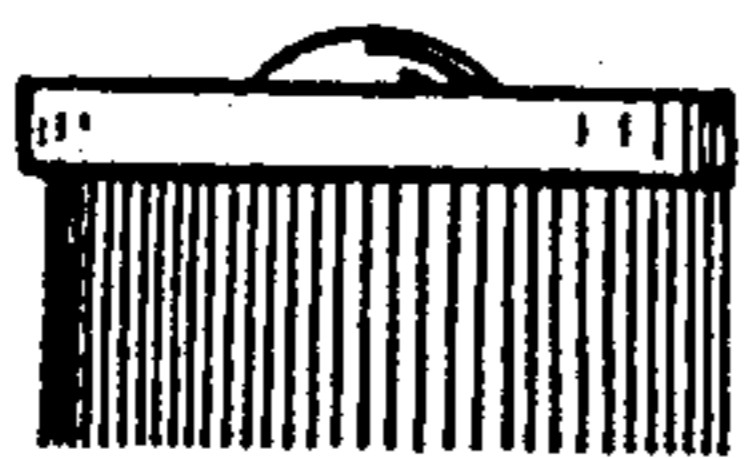


FIG. 7

