



US00D326185S

United States Patent [19]

[11] Patent Number: **Des. 326,185**

Miscavage

[45] Date of Patent: **** May 19, 1992**

[54] **BILLFOLD**

[76] Inventor: **Vincent Miscavage, 21 Brighton Ave., Kearny, N.J. 07032**

[**] Term: **14 Years**

[21] Appl. No.: **473,712**

[22] Filed: **Feb. 2, 1990**

[52] U.S. Cl. **D3/56**

[58] Field of Search **D3/56-60;**
150/131-135, 137-145, 147-149

[56] **References Cited**

U.S. PATENT DOCUMENTS

647,067	4/1900	Bellairs .	
1,326,602	12/1919	McKey	D3/58 X
1,707,025	3/1929	Scheerer .	
4,134,437	1/1979	Finn .	
4,940,068	7/1990	Pokoray et al.	150/132

FOREIGN PATENT DOCUMENTS

109563 9/1917 United Kingdom 150/132

Primary Examiner—Louis S. Zarfes

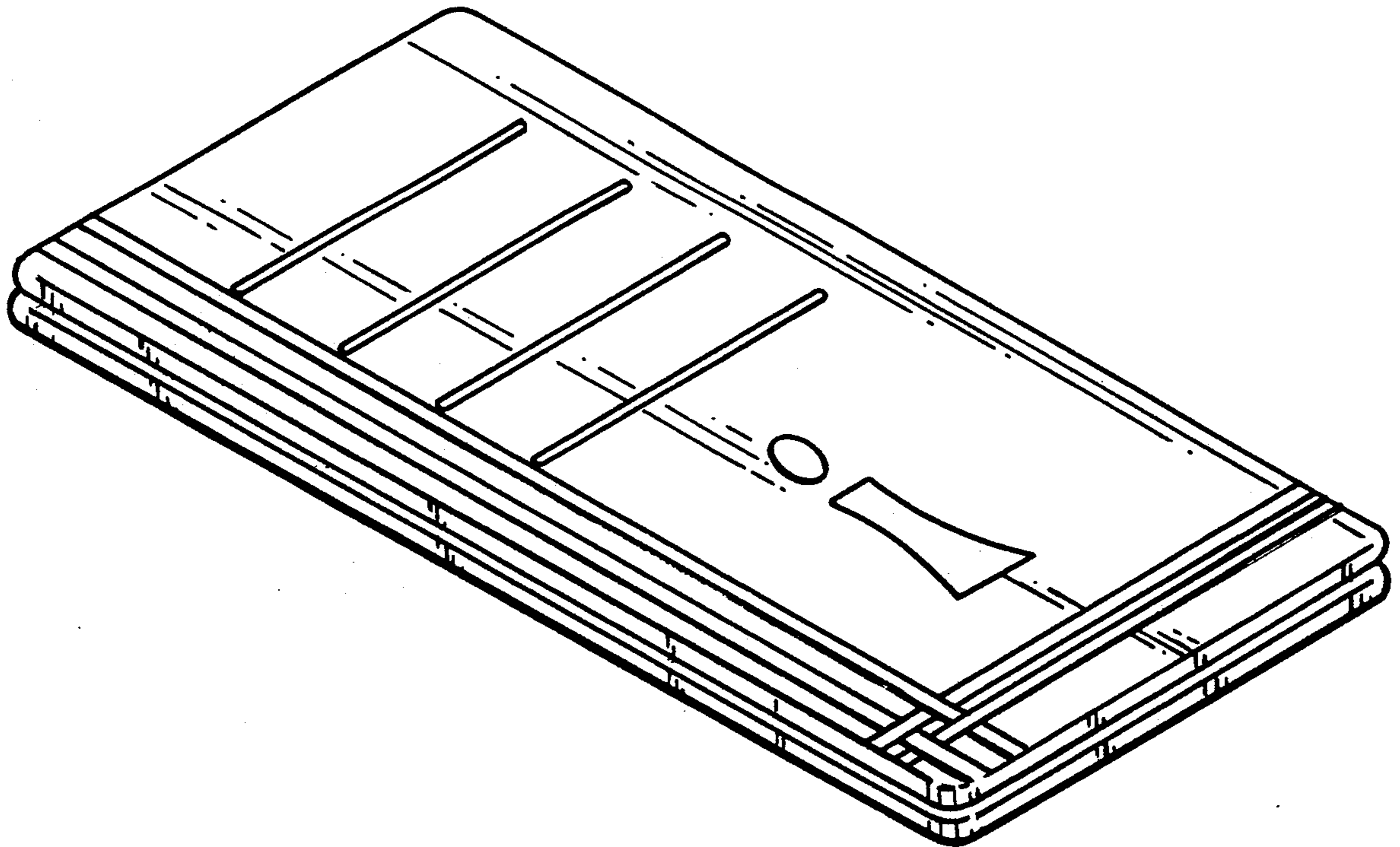
Attorney, Agent, or Firm—Terry M. Gernstein

[57] **CLAIM**

The ornamental design for a billfold, as shown and described.

DESCRIPTION

FIG. 1 is a perspective view of a billfold showing my new design in open condition;
 FIG. 2 is a perspective view in folded condition;
 FIG. 3 is a top plan view thereof;
 FIG. 4 is a bottom plan view thereof;
 FIG. 5 is a left side elevational view thereof;
 FIG. 6 is a right side elevational view thereof;
 FIG. 7 is a rear elevational view thereof; and,
 FIG. 8 is a front elevational view thereof.



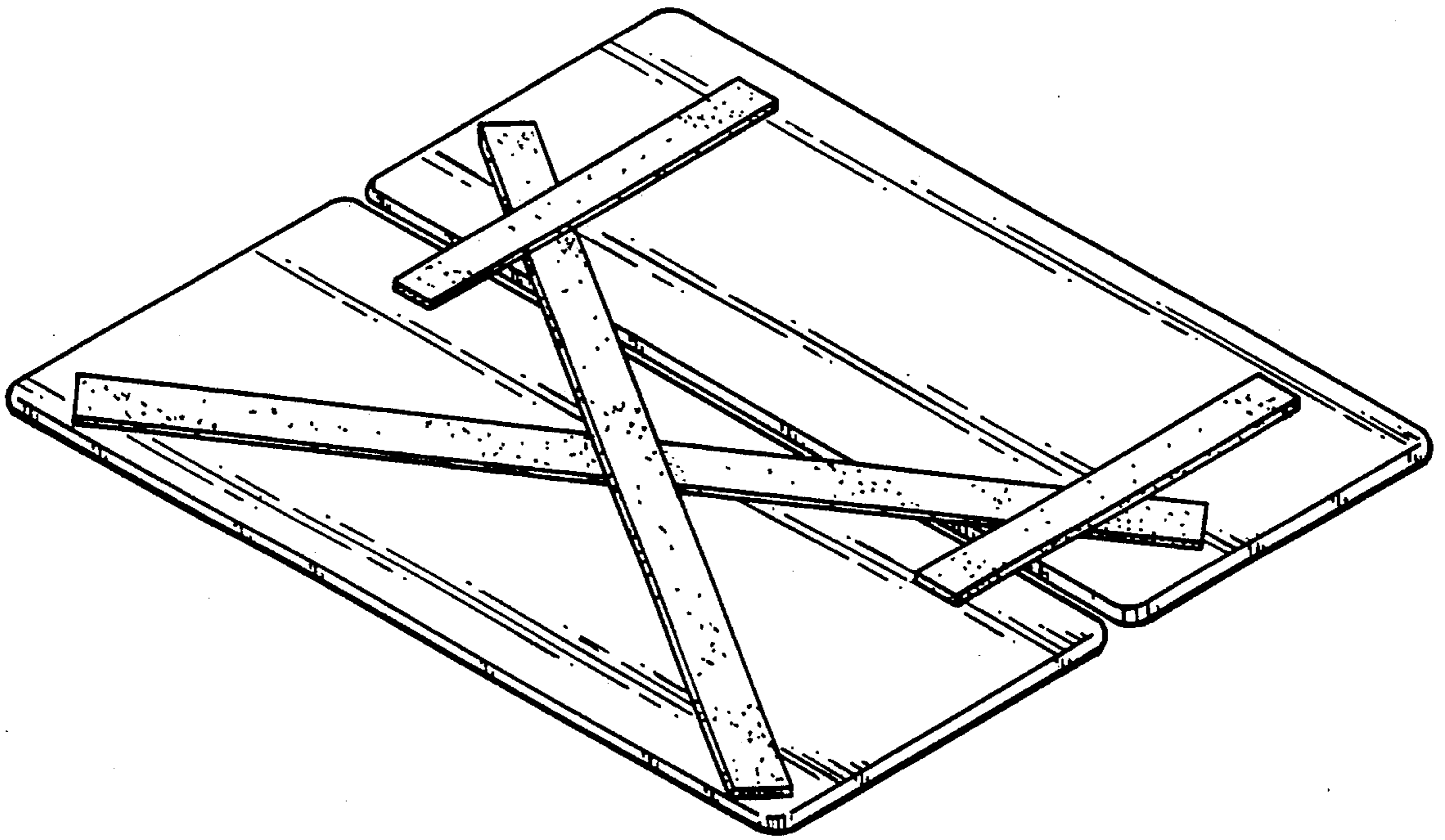


FIG. 1

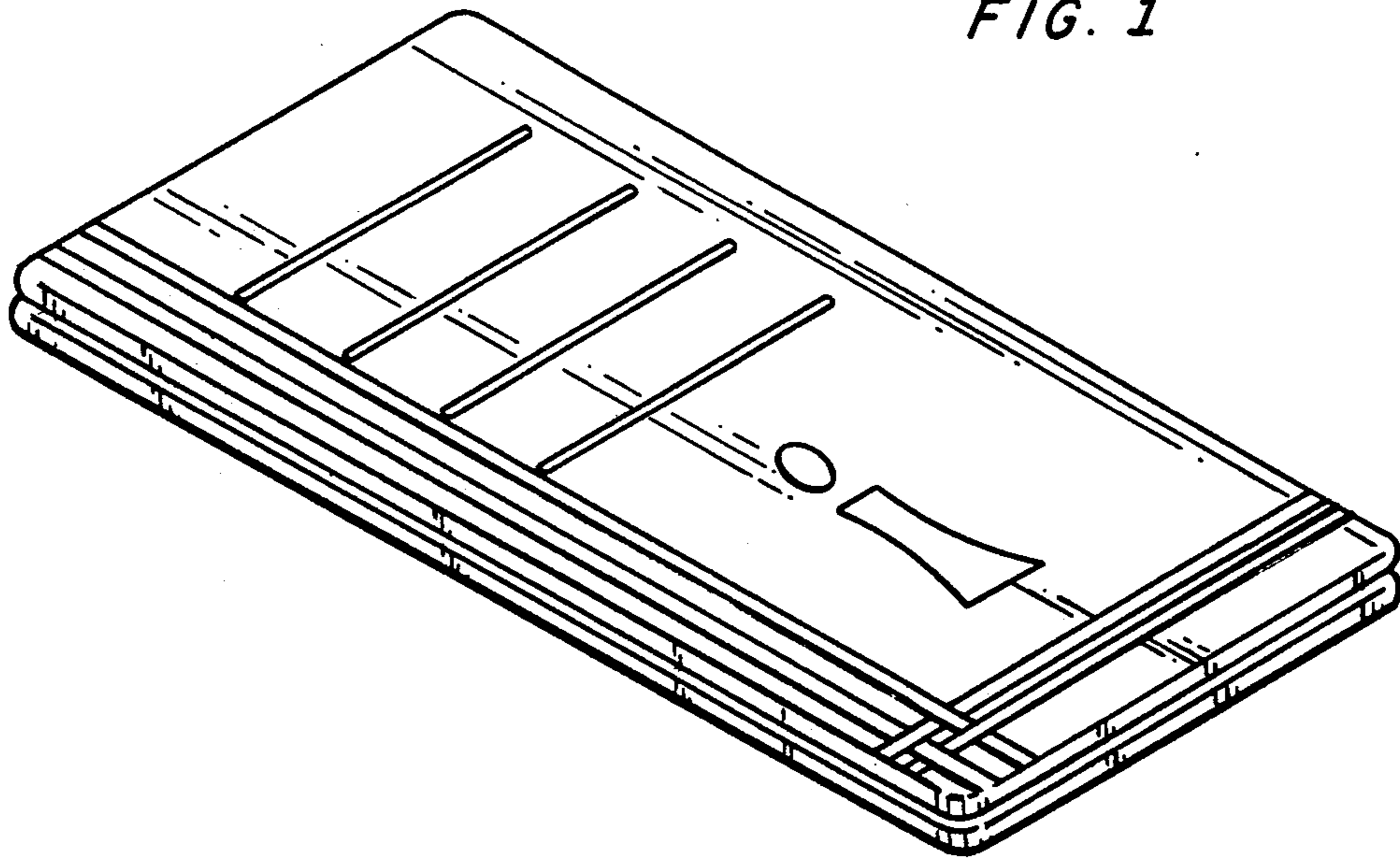


FIG. 2

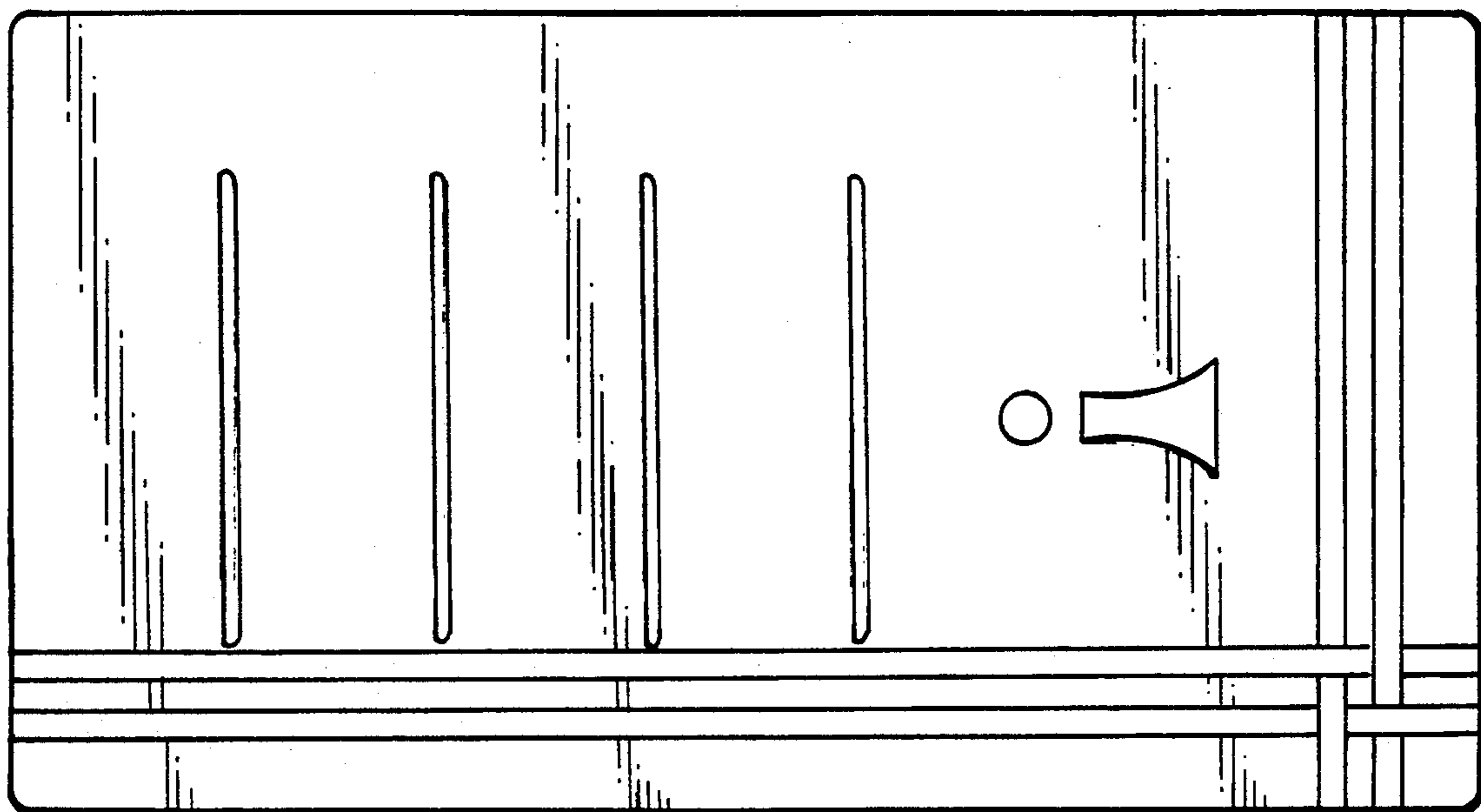


FIG. 3

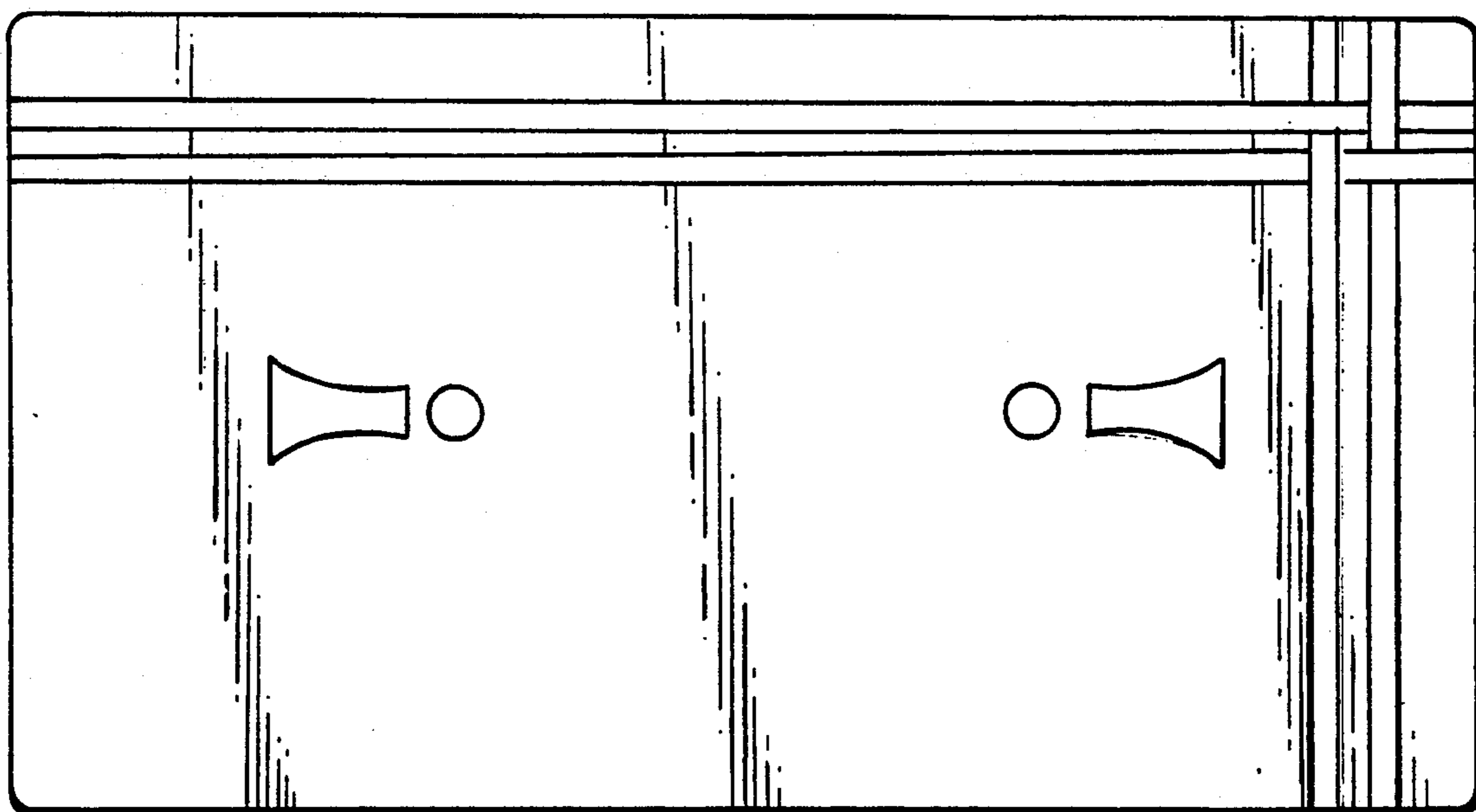


FIG. 4



FIG. 5



FIG. 6

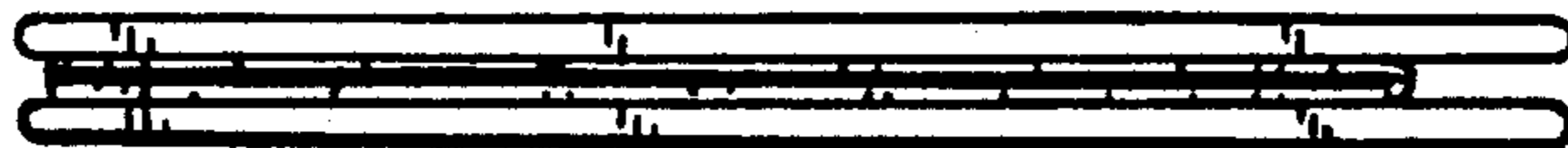


FIG. 7

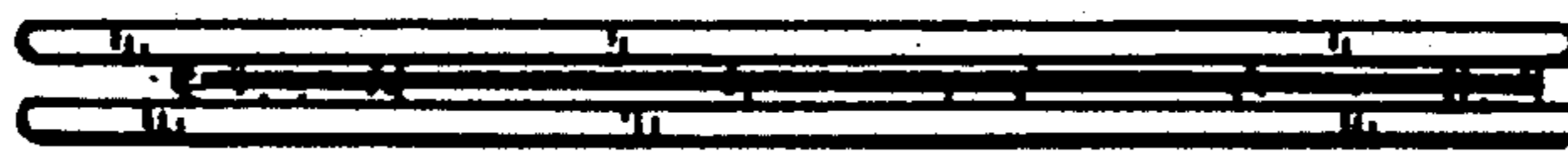


FIG. 8