



US00D326176S

United States Patent [19]

[11] Patent Number: Des. 326,176

Brightbill

[45] Date of Patent: ** May 12, 1992

[54] **TOOL CARRYING TRAY**
 [75] Inventor: **Keith Brightbill**, Wooster, Ohio
 [73] Assignee: **Rubbermaid Incorporated**, Wooster, Ohio
 [**] Term: **14 Years**
 [21] Appl. No.: **492,566**
 [22] Filed: **Mar. 13, 1990**
 [52] U.S. Cl. **D34/45**
 [58] Field of Search **D34/40-46;**
D3/30.1, 105; 206/198, 203, 207, 372, 374, 375,
349, 373, 370, 509, 504, 510, 515, 518, 519;
312/DIG. 33; 220/94 A

4,366,998 1/1983 Kaiser .
 4,460,085 7/1984 Jantzen .
 4,474,291 10/1984 Fortson .
 4,643,494 2/1987 Marleau .
 4,659,154 4/1987 Jenkins .
 4,662,515 5/1987 Newby, Sr. .
 4,667,822 5/1987 Coopmans .
 4,705,168 11/1987 Ward .
 4,714,158 12/1987 Oltman et al. .
 4,729,474 3/1988 Lanius et al. .
 4,739,577 4/1988 Lanius .
 4,744,613 5/1988 Brantingham et al. .
 4,768,651 9/1988 Lanius .
 4,775,199 10/1988 Lanius et al. .
 4,782,619 11/1988 Richards .
 4,784,304 11/1988 Schweitzer .
 4,840,273 6/1989 Zavacki .
 4,895,256 1/1990 Johnston 206/203 X

[56] References Cited

U.S. PATENT DOCUMENTS

D. 212,995 12/1968 Myers .
 D. 235,488 6/1975 Swalm D34/44
 D. 253,855 1/1980 Hopf .
 D. 284,422 7/1986 Pomaville .
 D. 307,967 5/1990 Lanius D34/40
 D. 314,279 2/1991 Hatchkiss D34/40 X
 1,322,354 11/1919 Scholtes .
 1,614,910 1/1927 Yarder .
 2,740,517 4/1956 Evans 206/373
 3,301,619 1/1967 Mead .
 3,305,076 2/1967 Fleenor .
 3,330,608 7/1967 Druger, Jr. .
 3,346,733 10/1967 Woolworth .
 3,392,874 7/1968 Peebles 206/518 X
 3,463,353 8/1969 Peebles 206/518 X
 3,583,556 6/1971 Wagner .
 3,606,005 9/1971 Meksula .
 3,606,511 9/1971 Henning et al. .
 3,628,843 12/1971 Wynne et al. .
 3,892,331 7/1975 Beck .
 3,948,579 4/1976 Schirmer .
 3,985,409 10/1976 Kneier .
 4,023,304 5/1977 Singer .
 4,085,987 4/1978 Vartdal .
 4,118,086 10/1978 Kneier .
 4,139,096 2/1979 Sieger .
 4,150,746 4/1979 Buglione .
 4,173,284 11/1979 March .
 4,240,222 12/1980 Covington .
 4,245,422 1/1981 Souza .
 4,266,835 5/1981 Schmidt .

OTHER PUBLICATIONS

Schoner Wohner Pub. Apr. 1989, p. 259 as shown.
 TMC Inc. 1978 Tool Caddy as shown.
 Page 33, Rubbermaid Incorporated, 1147 Akron Road,
 Wooster, Ohio 44691, Publication date 1988.
 Catalog Page, Rubbermaid Incorporated, 1147 Akron
 Road., Wooster, Ohio 44691, Publication date 1988.
 Catalog Page, Rubbermaid Commercial Products Inc.,
 3124 Valley Avenue, Winchester, Va. 22601, Publica-
 tion date 1989.

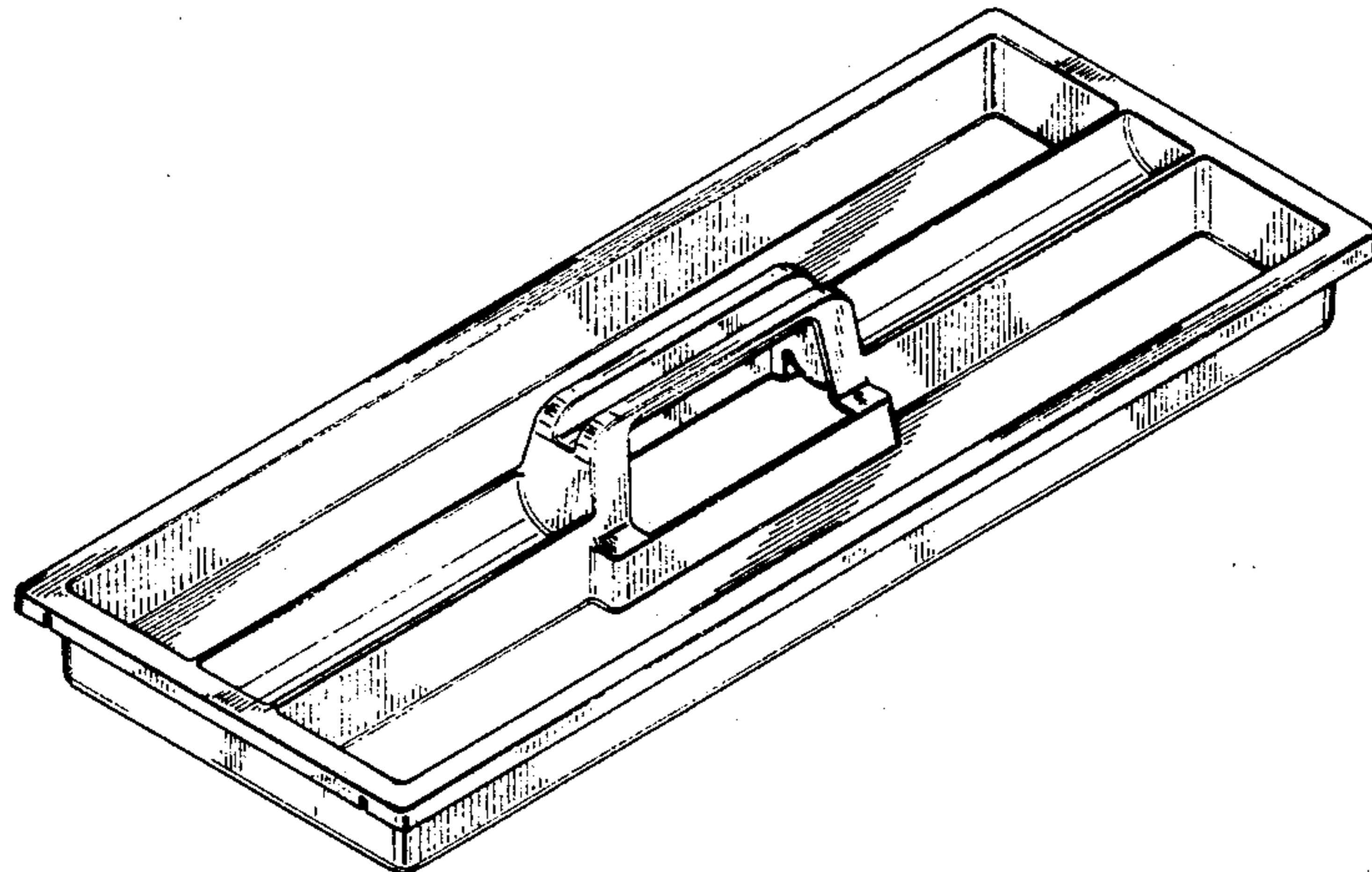
Primary Examiner—Bernard Ansher
Assistant Examiner—Prabhakar Deshmukh
Attorney, Agent, or Firm—Richard B. O'Planick

[57] CLAIM

The ornamental design for a tool carrying tray, as shown and described.

DESCRIPTION

FIG. 1 is a front perspective view of a tool carrying tray showing my new design;
 FIG. 2 is a front elevational view thereof; the rear elevational view being a mirror image;
 FIG. 3 is a top plan view thereof;
 FIG. 4 is a bottom plan view thereof;
 FIG. 5 is a left side elevational view thereof; the right side elevational view being a mirror image; and,
 FIG. 6 is a sectional elevational view thereof; taken along line 6-6 of FIG. 2.



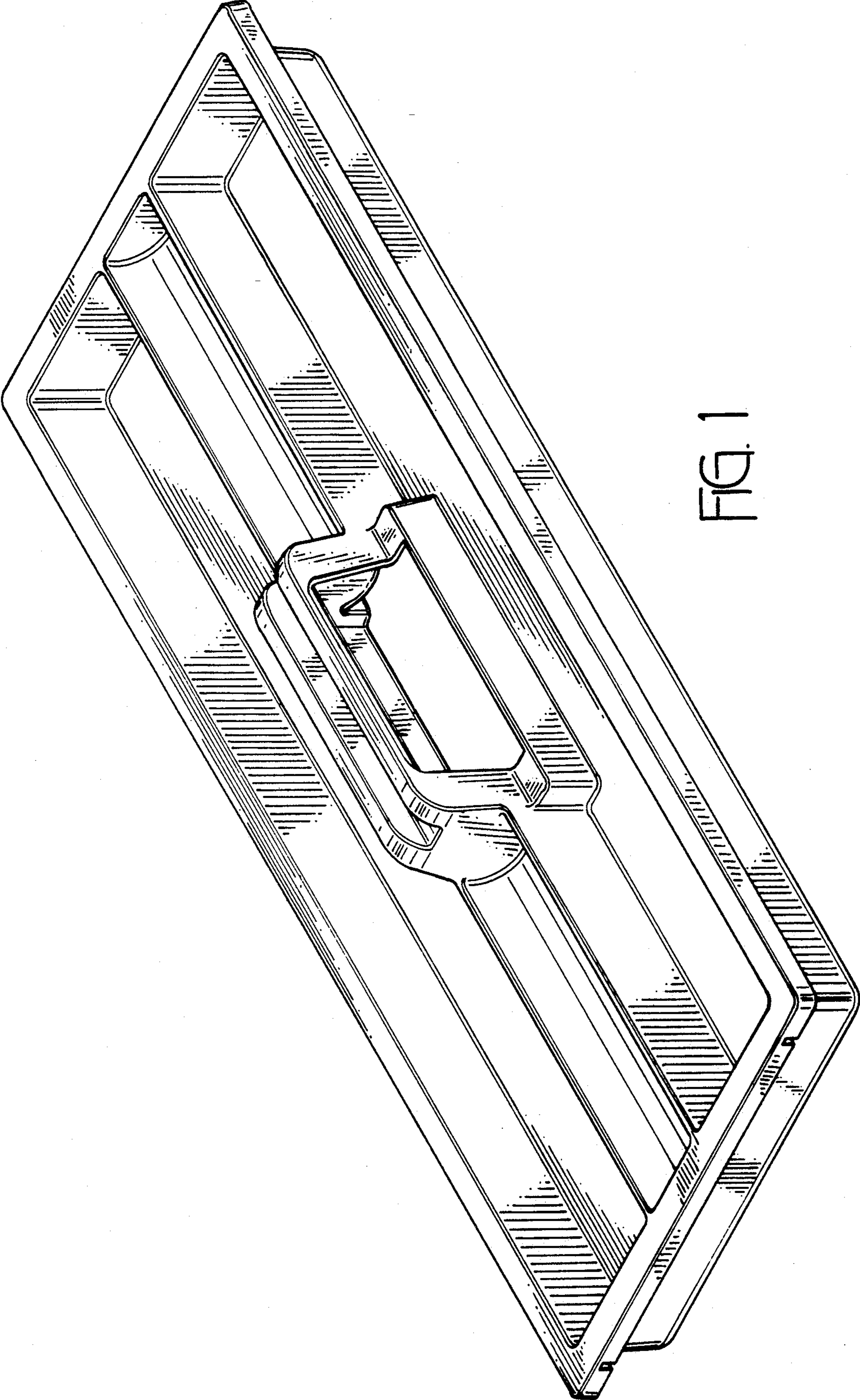


FIG. 1

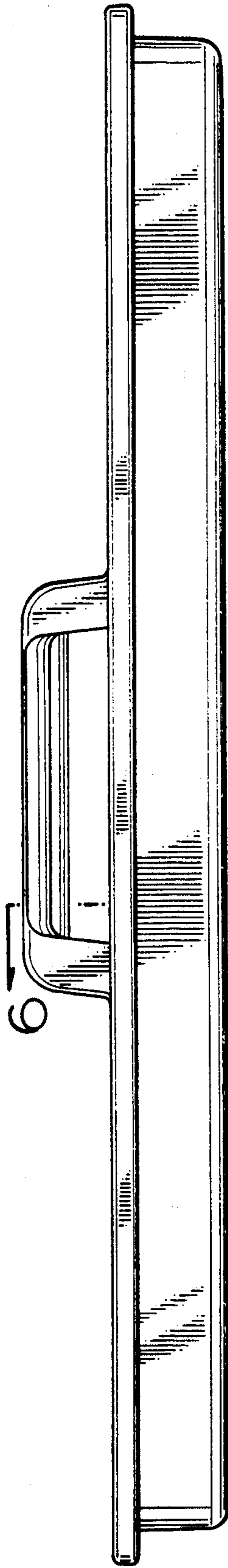


FIG. 2

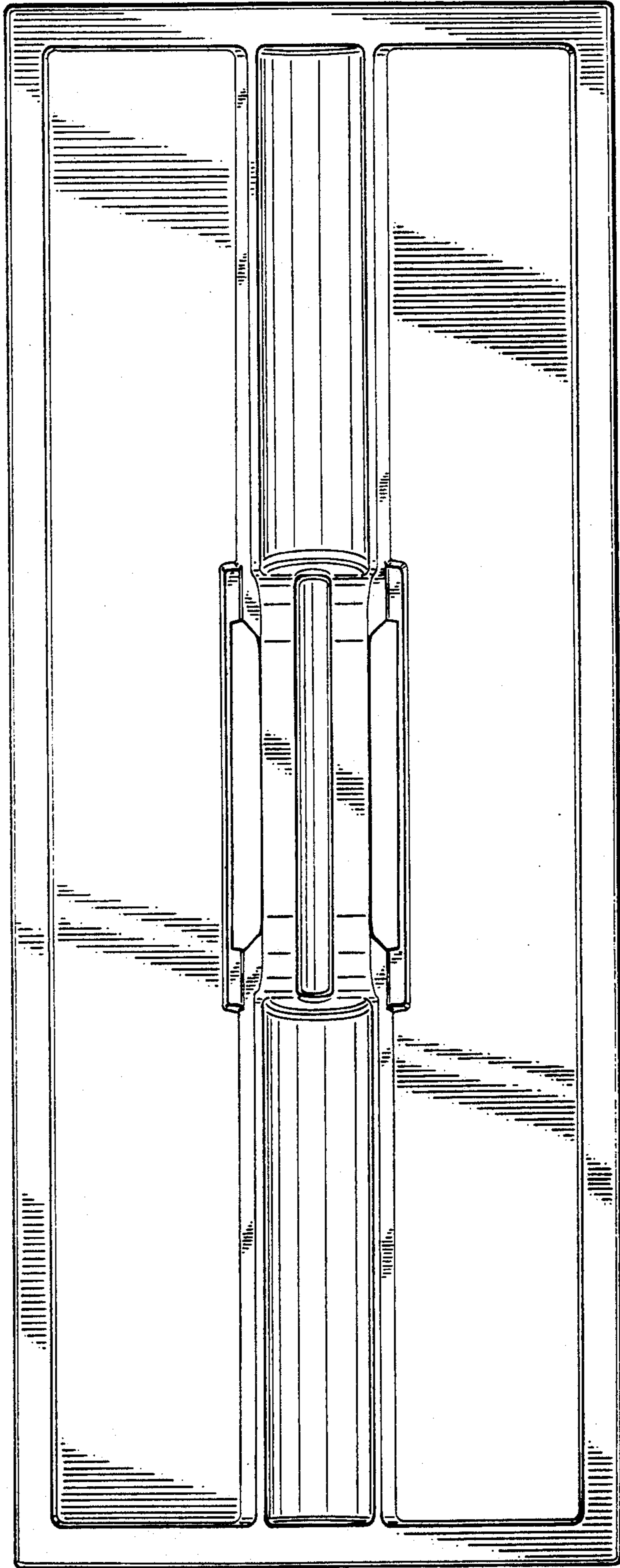


FIG. 3

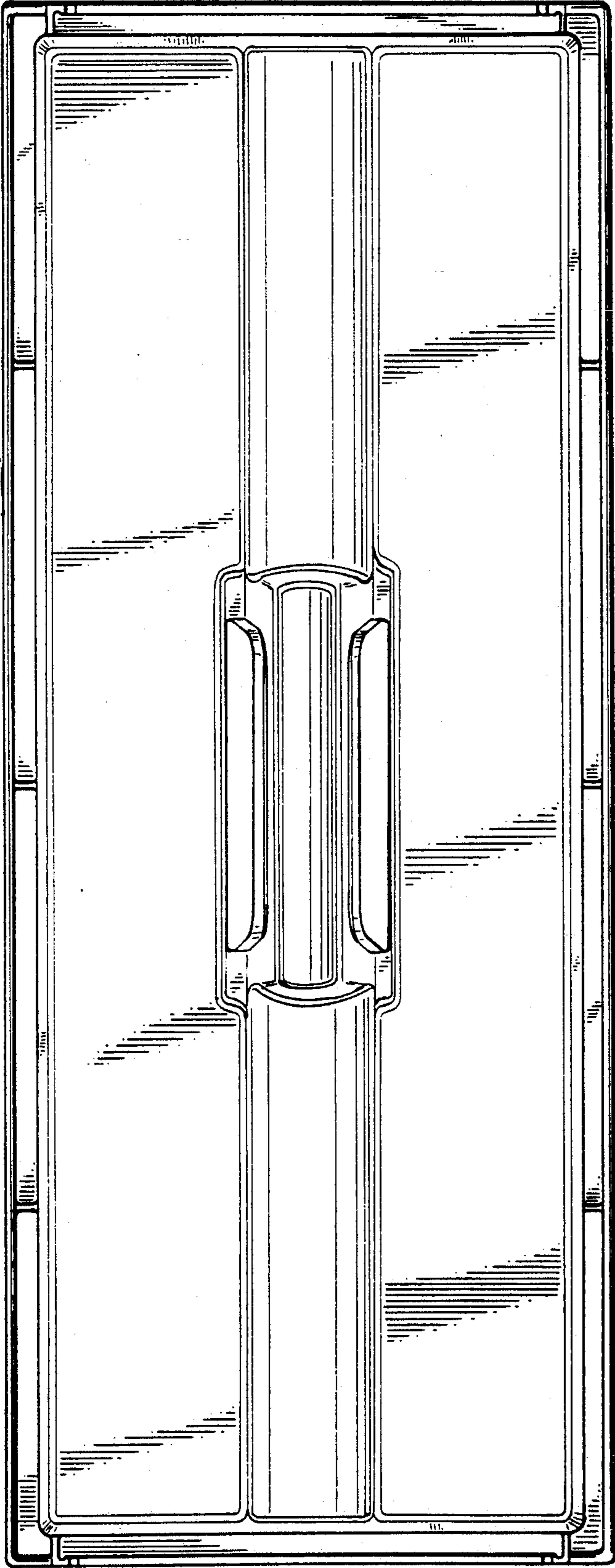


FIG. 4

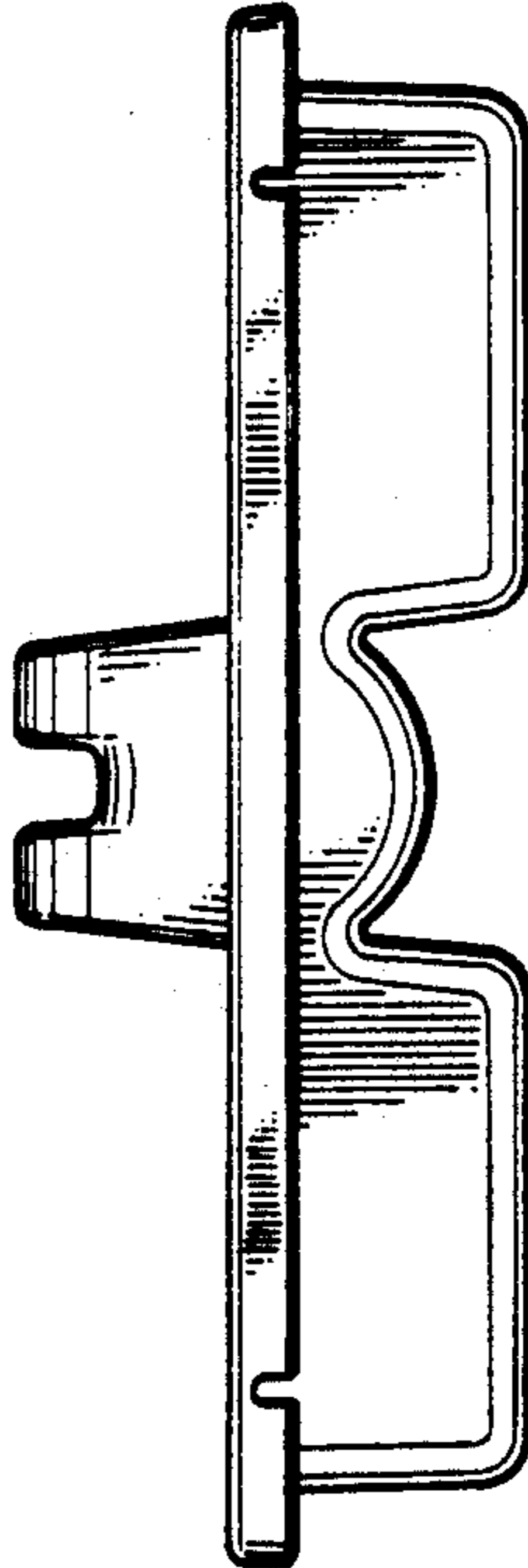


FIG. 5

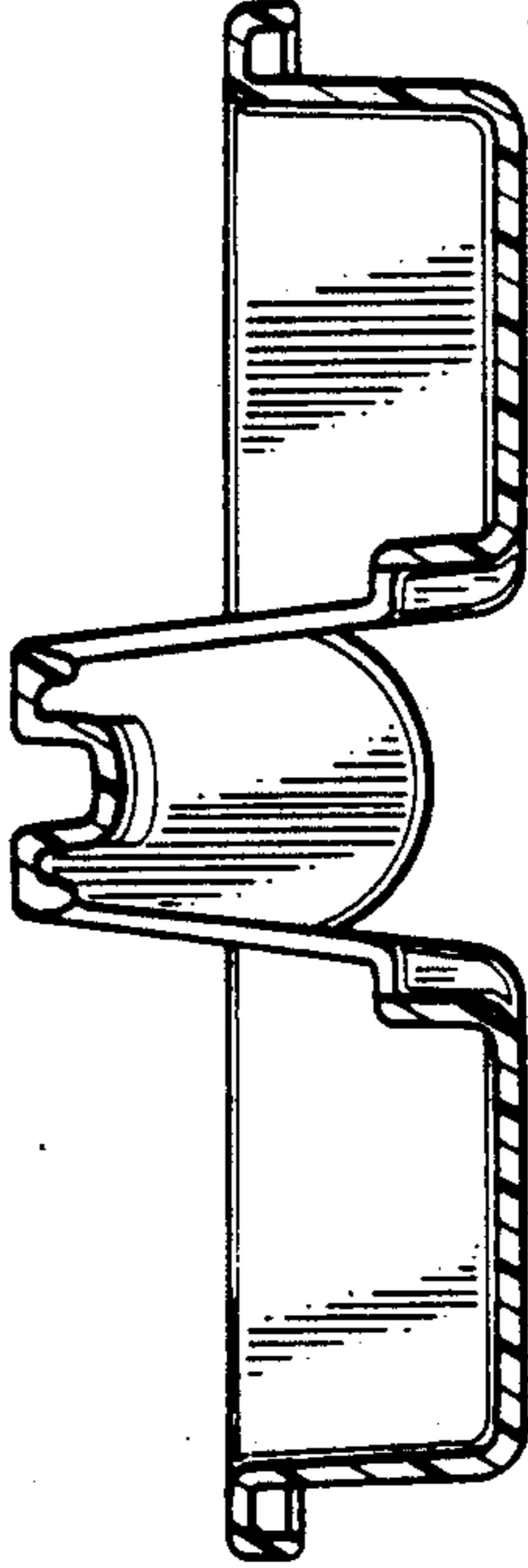


FIG. 6