



US00D326172S

# United States Patent [19]

[11] Patent Number: Des. 326,172

Biesele et al.

[45] Date of Patent: \*\* May 12, 1992

[54] COMBINED BAG HOLDER AND BAGS THEREFOR

[57] CLAIM

The ornamental design for a combined bag holder and bags therefor, as shown and described.

[76] Inventors: Zelita Biesele; Ron Packhan; Kurt Schminke, 927 Brassway, all of Encinias, Calif. 92024

### DESCRIPTION

[\*\*] Term: 14 Years

FIG. 1 is a top and front perspective view of a the combined bag holder and bags therefor showing our new design, the bags being omitted from the holder for clarity of illustrative;

[21] Appl. No.: 601,057

FIG. 2 is a side elevational view of FIG. 1, the opposite side view being a mirror of the shown;

[22] Filed: Oct. 22, 1990

FIG. 3 is a front elevational view of FIG. 1;

[52] U.S. Cl. .... D34/5; D3/10

FIG. 4 is a rear elevational view of FIG. 1;

[58] Field of Search ..... D34/1, 5, 6; 248/95, 248/97, 98, 99, 100, 101; 211/181; D3/42, 43, 20, 10

FIG. 5 is a top plan view of FIG. 1; FIG. 6 is a top and rear perspective view of combined bag holder and bags thereof;

### [56] References Cited

#### U.S. PATENT DOCUMENTS

D. 260,596	9/1981	Vreeken	.....	D34/6
D. 316,326	4/1991	Kaldenbach	.....	D3/10
4,684,087	8/1987	Spickard	.....	248/97
4,979,705	12/1990	Bovitz	.....	248/99

FIG. 7 is a top perspective view of the bag;

FIG. 8 is a top plan view of FIG. 7;

FIG. 9 is a top plan view of FIG. 7, with the top portion closed;

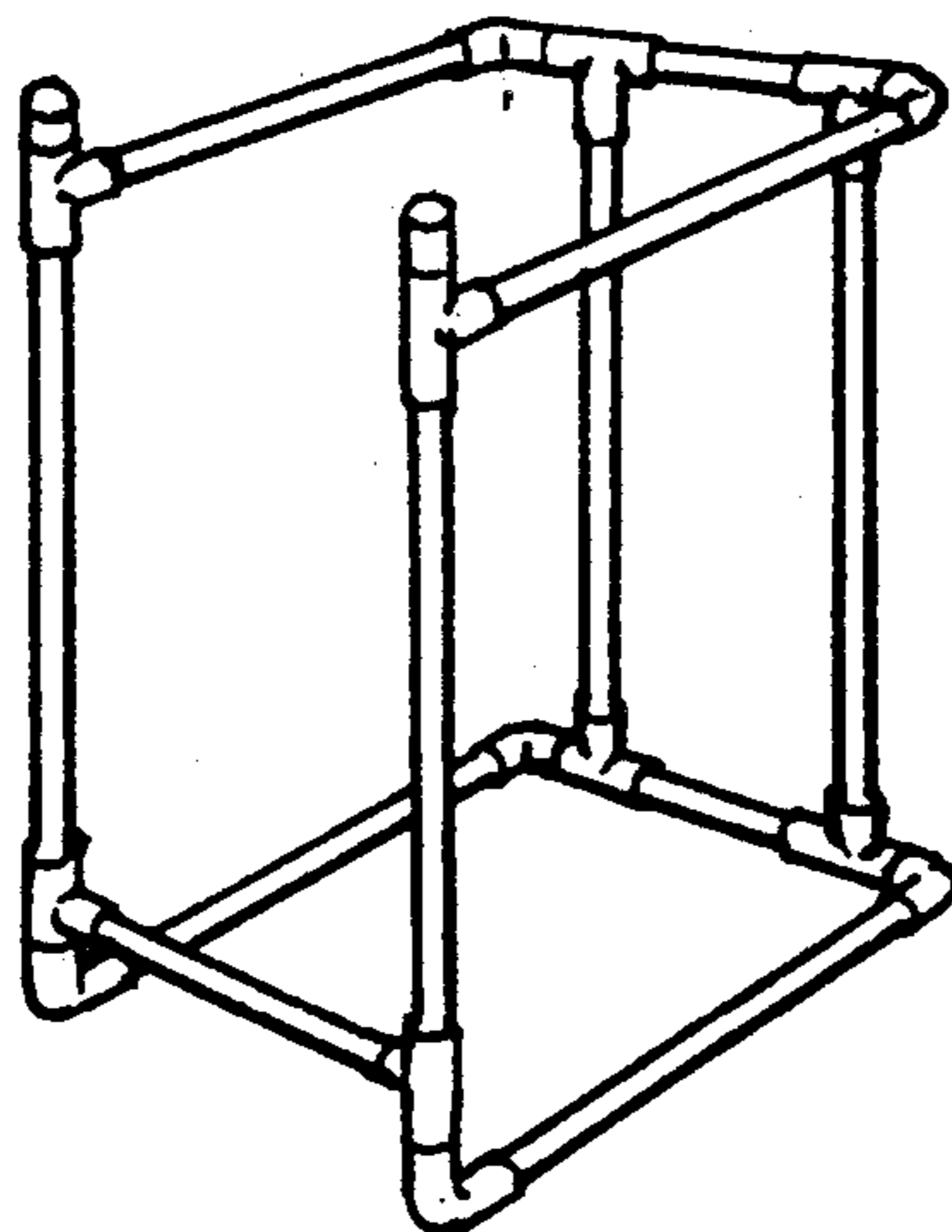
FIG. 10 is a side elevational view of FIG. 7, th eopposite side view being a mirror image of that shown;

FIG. 11 is a front elevational view of FIG. 7 with in its open mode, the rear elevational view being a mirror image of that shown;

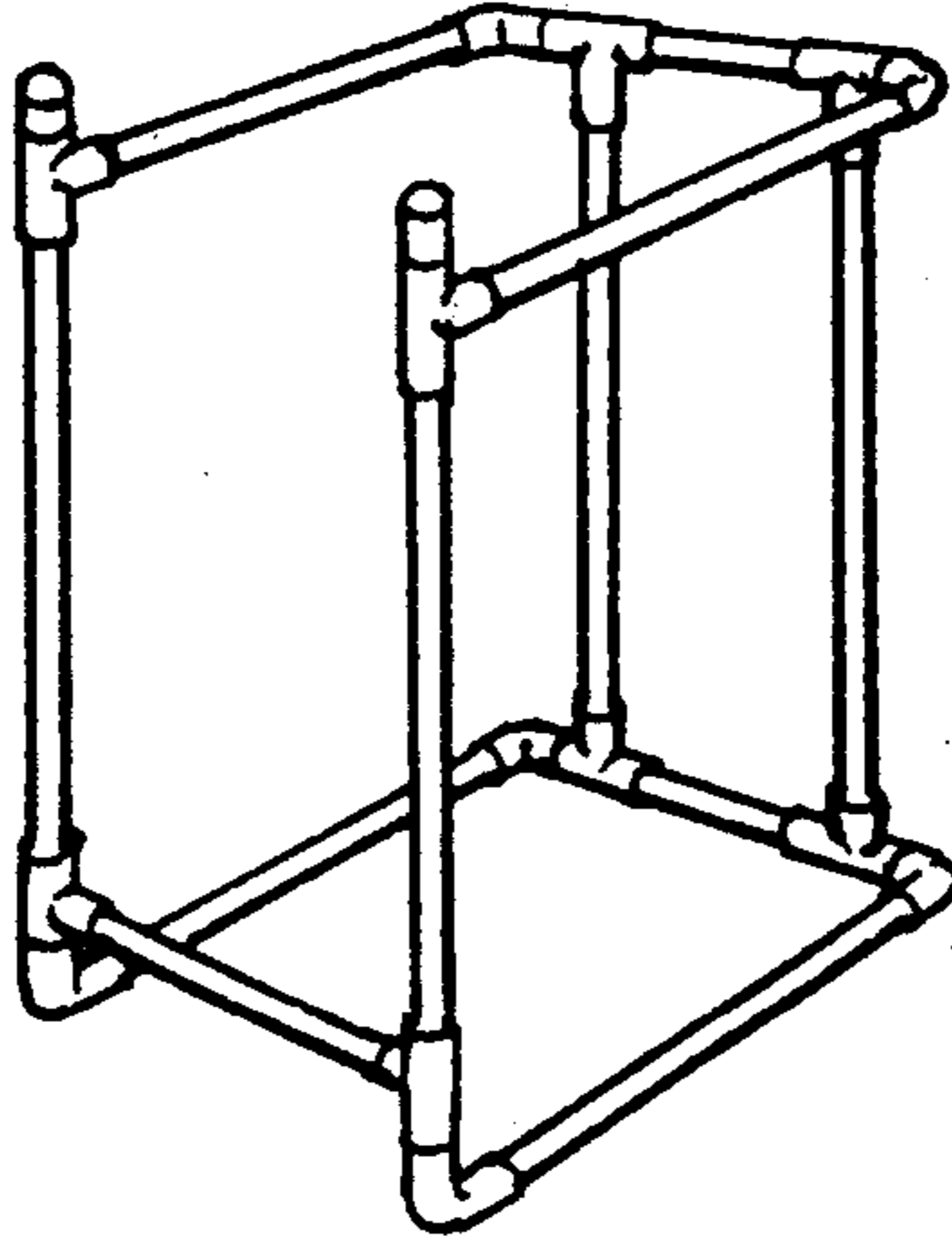
FIG. 12 is a front elevational view of FIG. 7, with in its closed mode; and,

FIG. 13 is a front elevational view of FIG. 6.

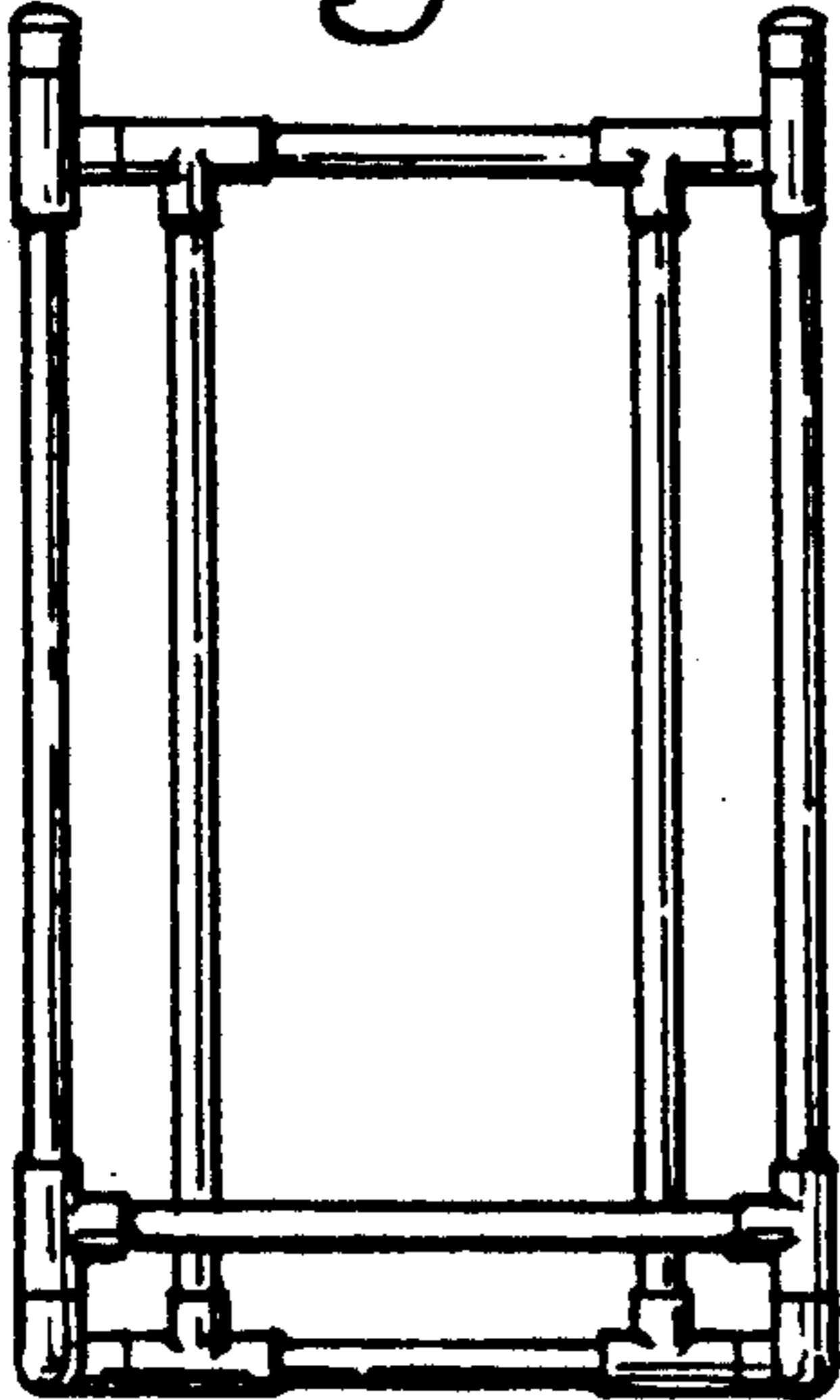
Primary Examiner—Kay H. Chin  
Attorney, Agent, or Firm—Ralph S. Branscomb



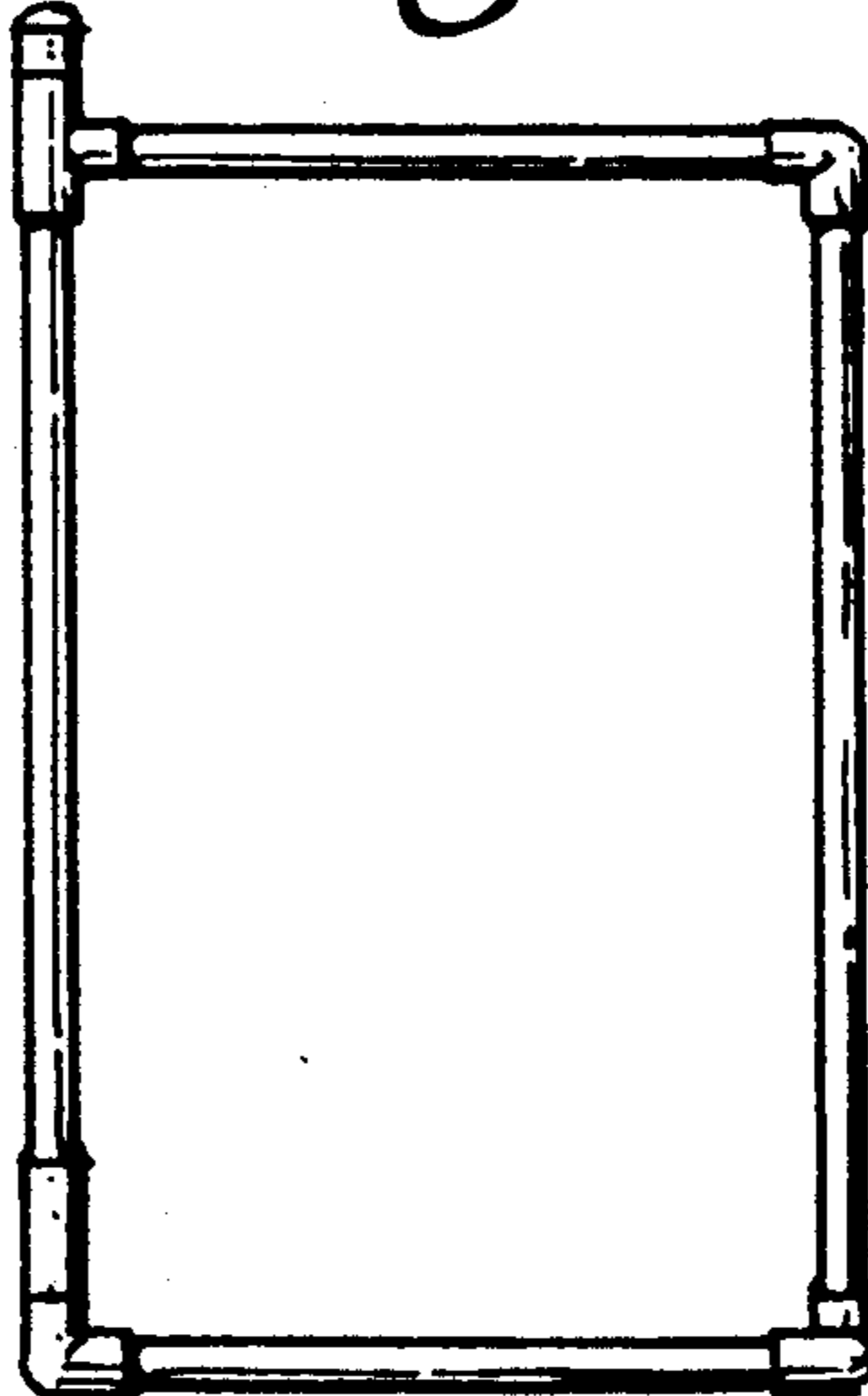
*Fig. 1*



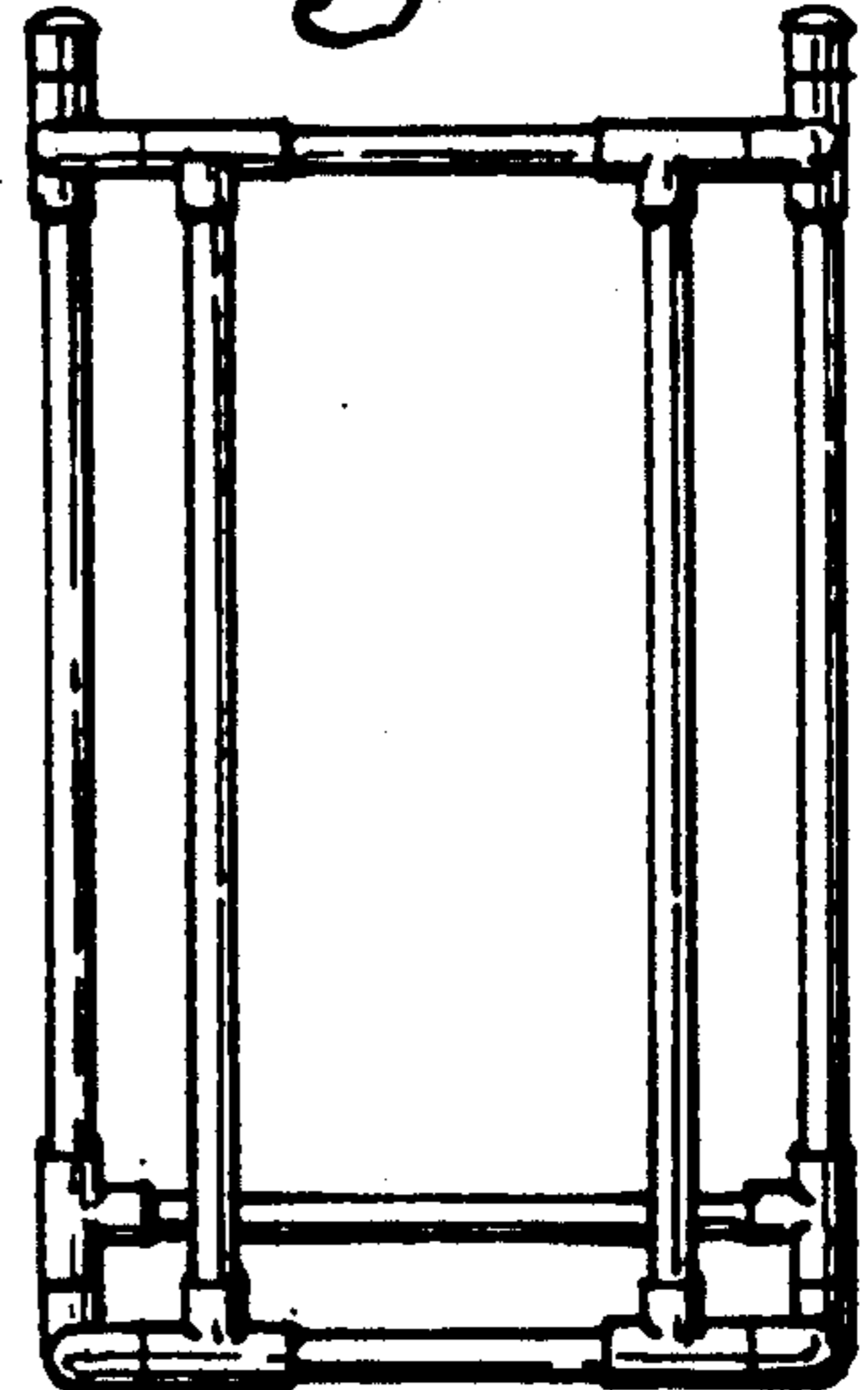
*Fig. 3*



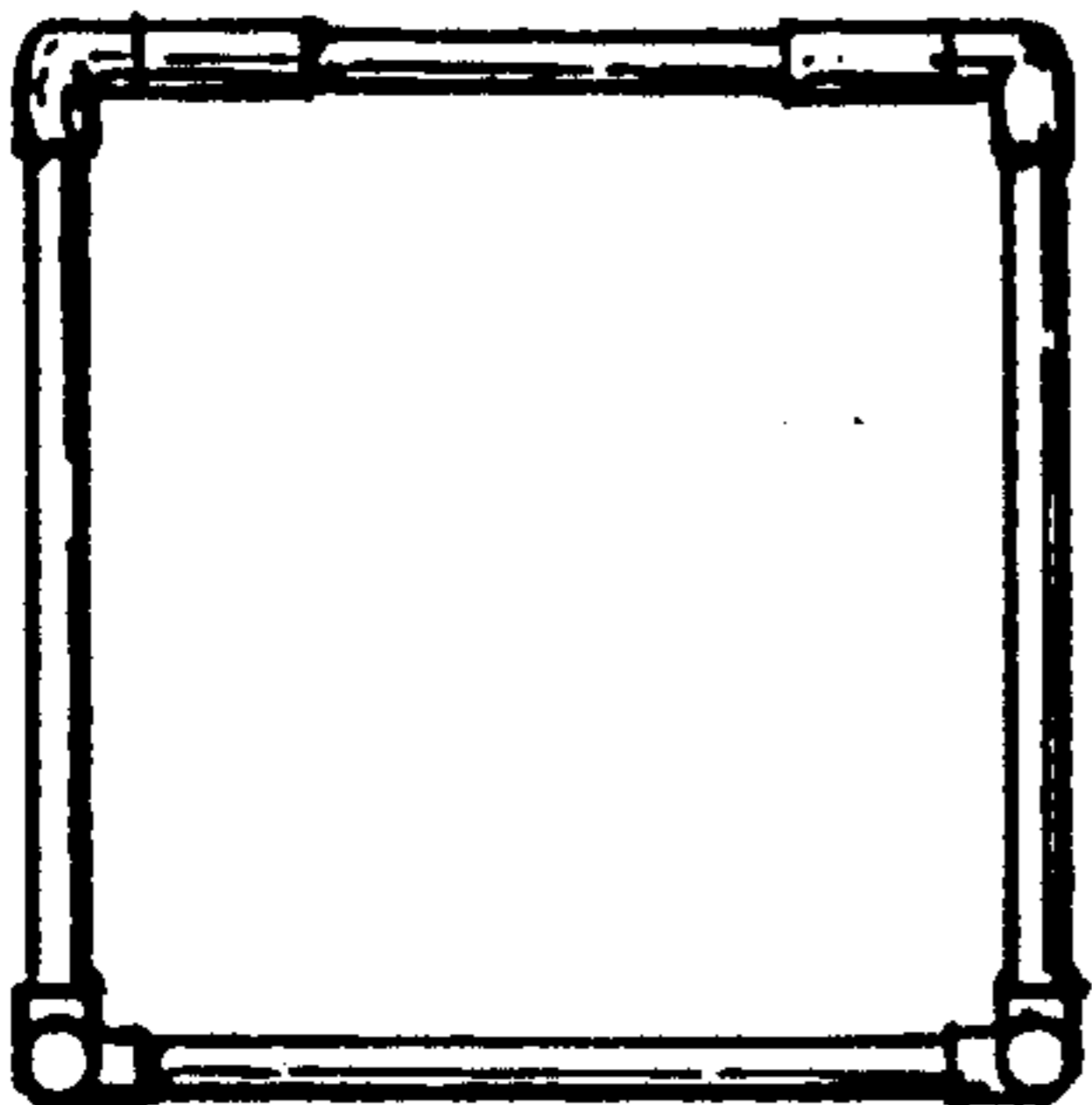
*Fig. 2*



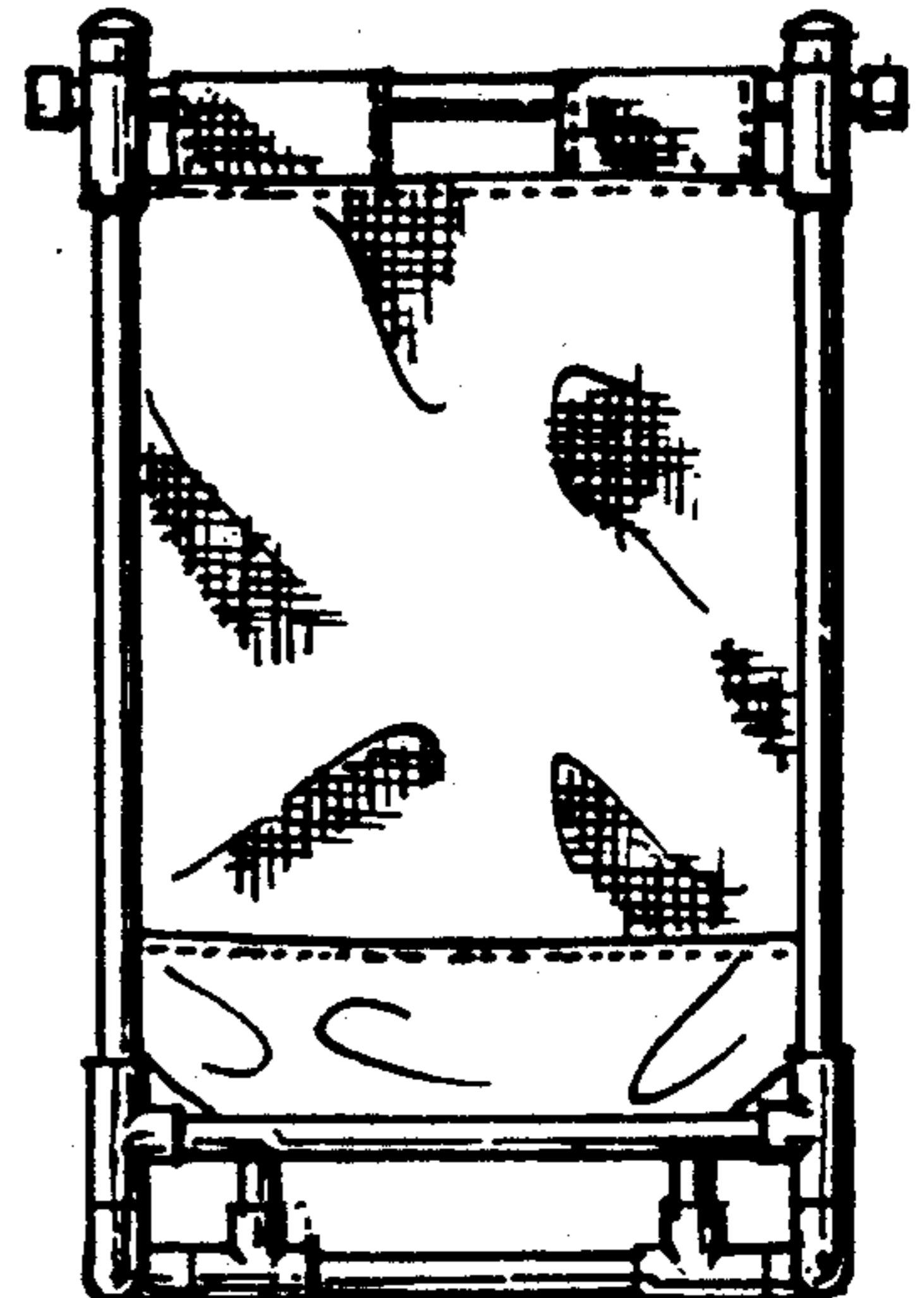
*Fig. 4*



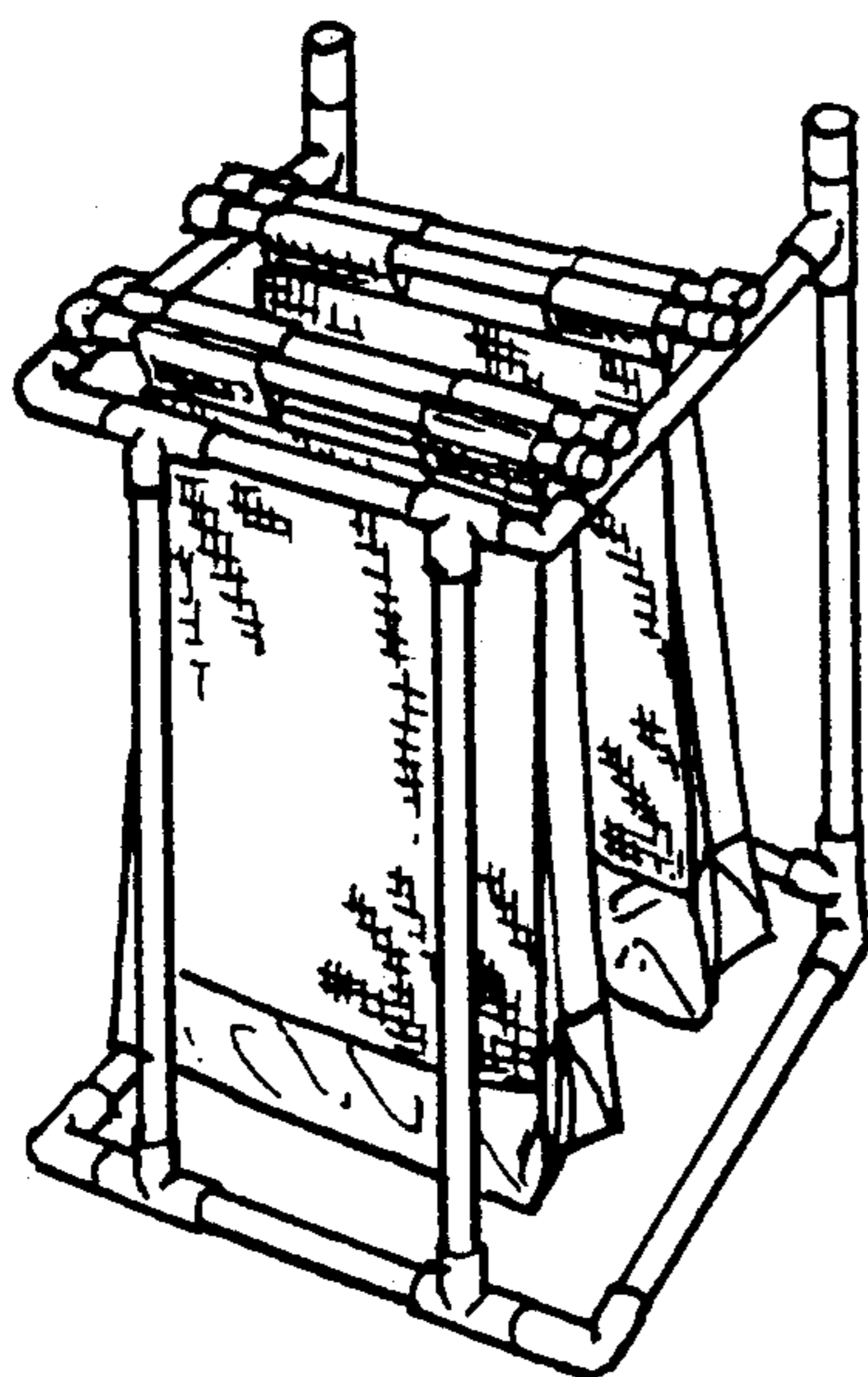
*Fig. 5*



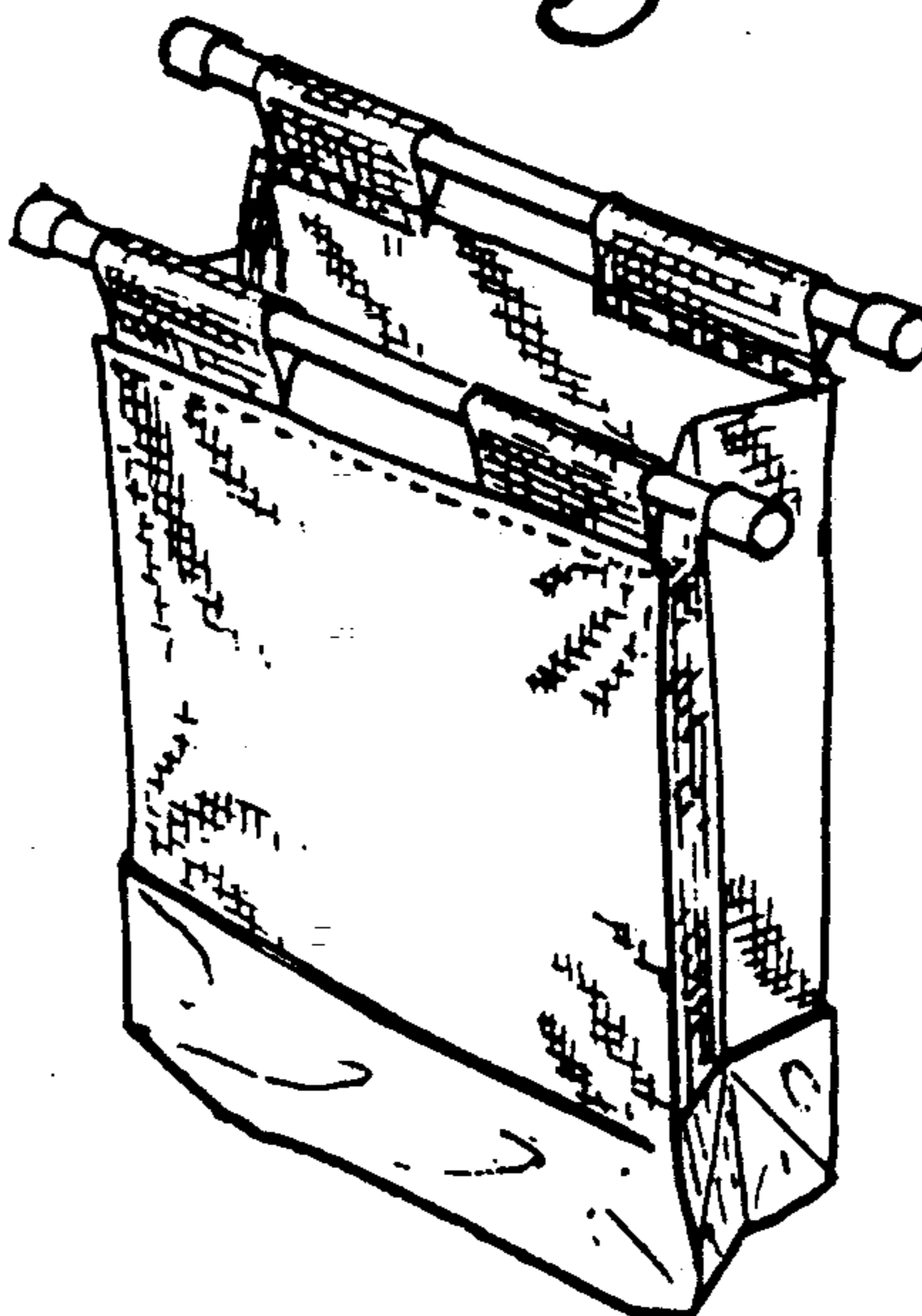
*Fig. 13*



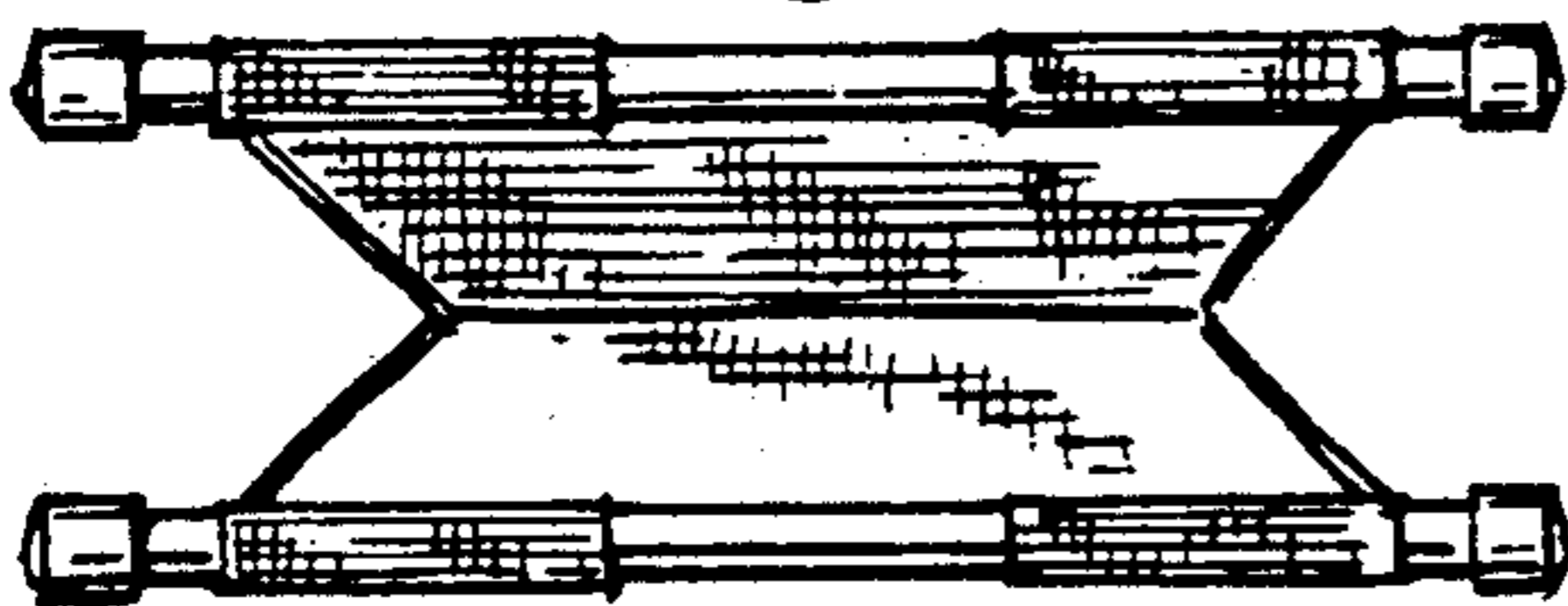
*Fig. 6*



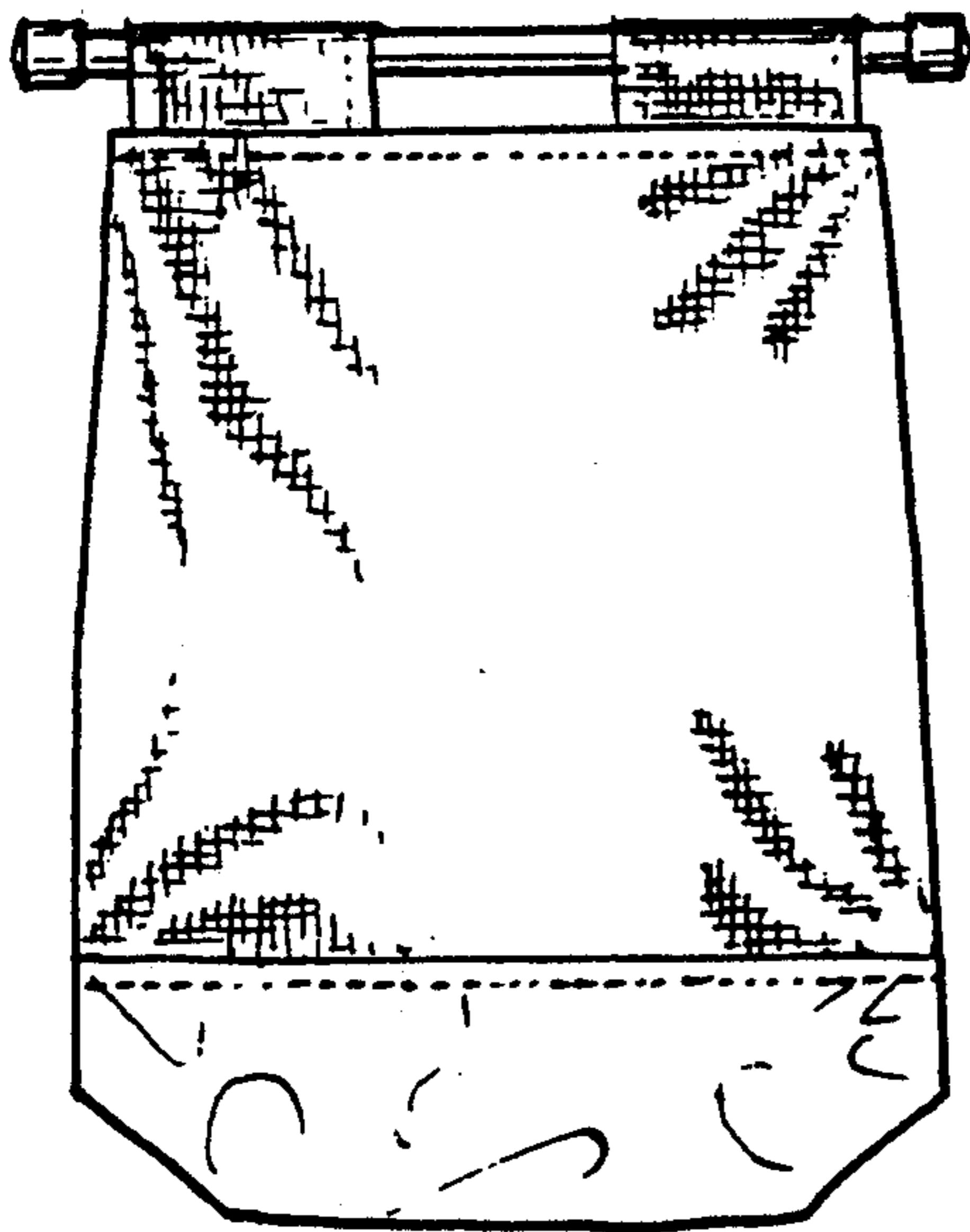
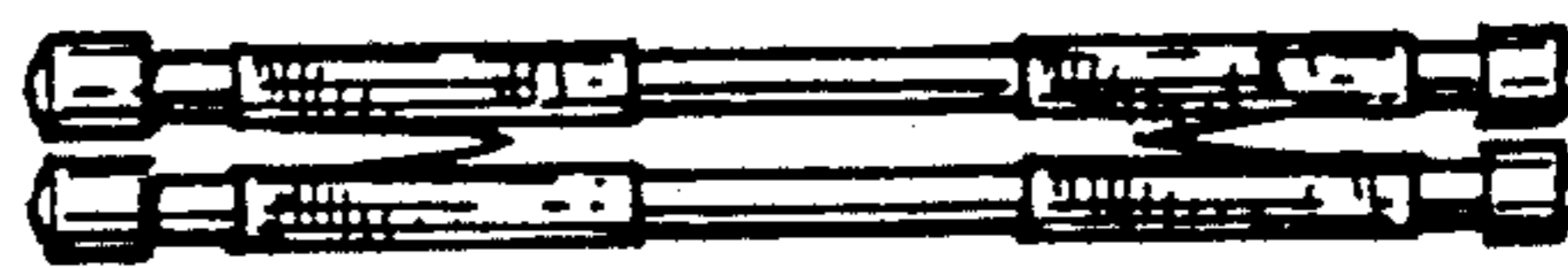
*Fig. 7*



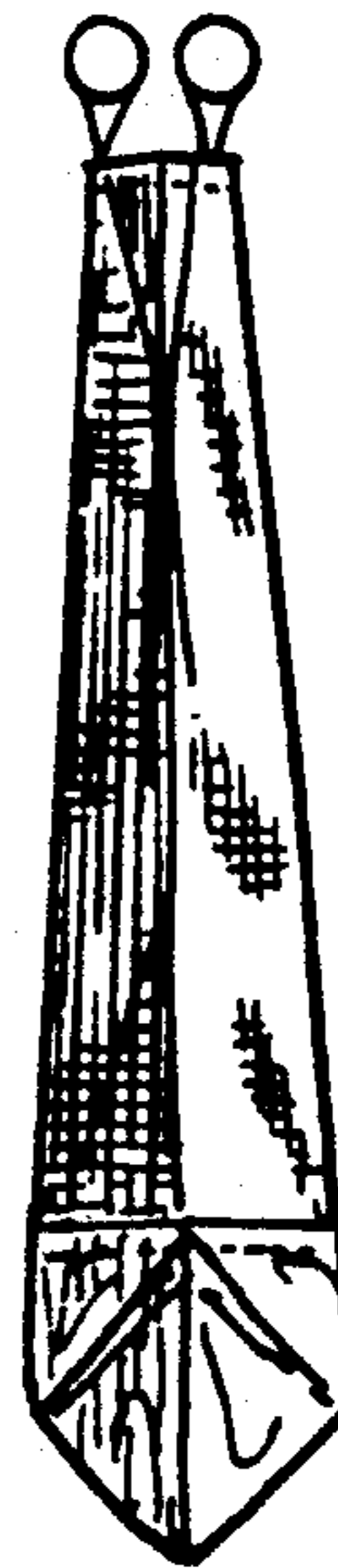
*Fig. 8*



*Fig. 9*



*Fig. 10*



*Fig. 11 Fig. 12*