



US00D326169S

United States Patent [19]

[11] Patent Number: **Des. 326,169**

Stützer et al.

[45] Date of Patent: **** May 12, 1992**

[54] **VACUUM CLEANER**

D. 300,379	3/1989	Yamamoto et al.	D32/18
D. 301,646	6/1989	Yamamoto et al.	D32/18
D. 304,104	10/1989	Busalt et al.	D32/18

[75] Inventors: **Franz A. Stützer**, Offenbach am Main; **Eduard Rohner**, Hammelburg, both of Fed. Rep. of Germany

Primary Examiner—A. Hugo Word
Assistant Examiner—Ruth McInroy
Attorney, Agent, or Firm—Toren, McGeady & Associates

[73] Assignee: **Rowenta-Werke GmbH**, Fed. Rep. of Germany

[**] Term: **14 Years**

[57] **CLAIM**

[21] Appl. No.: **614,735**

The ornamental design for a vacuum cleaner, as shown and described.

[22] Filed: **Nov. 15, 1990**

[30] **Foreign Application Priority Data**

DESCRIPTION

May 18, 1990 [DE] Fed. Rep. of Germany 9003459

FIG. 1 is a front perspective view of a vacuum cleaner showing our new design;

[52] U.S. Cl. **D32/18**

FIG. 2 is a rear perspective view thereof;

[58] Field of Search D32/17, 18; 15/344, 15/329

FIG. 3 is a right side elevational view thereof;

FIG. 4 is a left side elevational view thereof;

FIG. 5 is a front elevational view thereof;

FIG. 6 is a rear elevational view thereof;

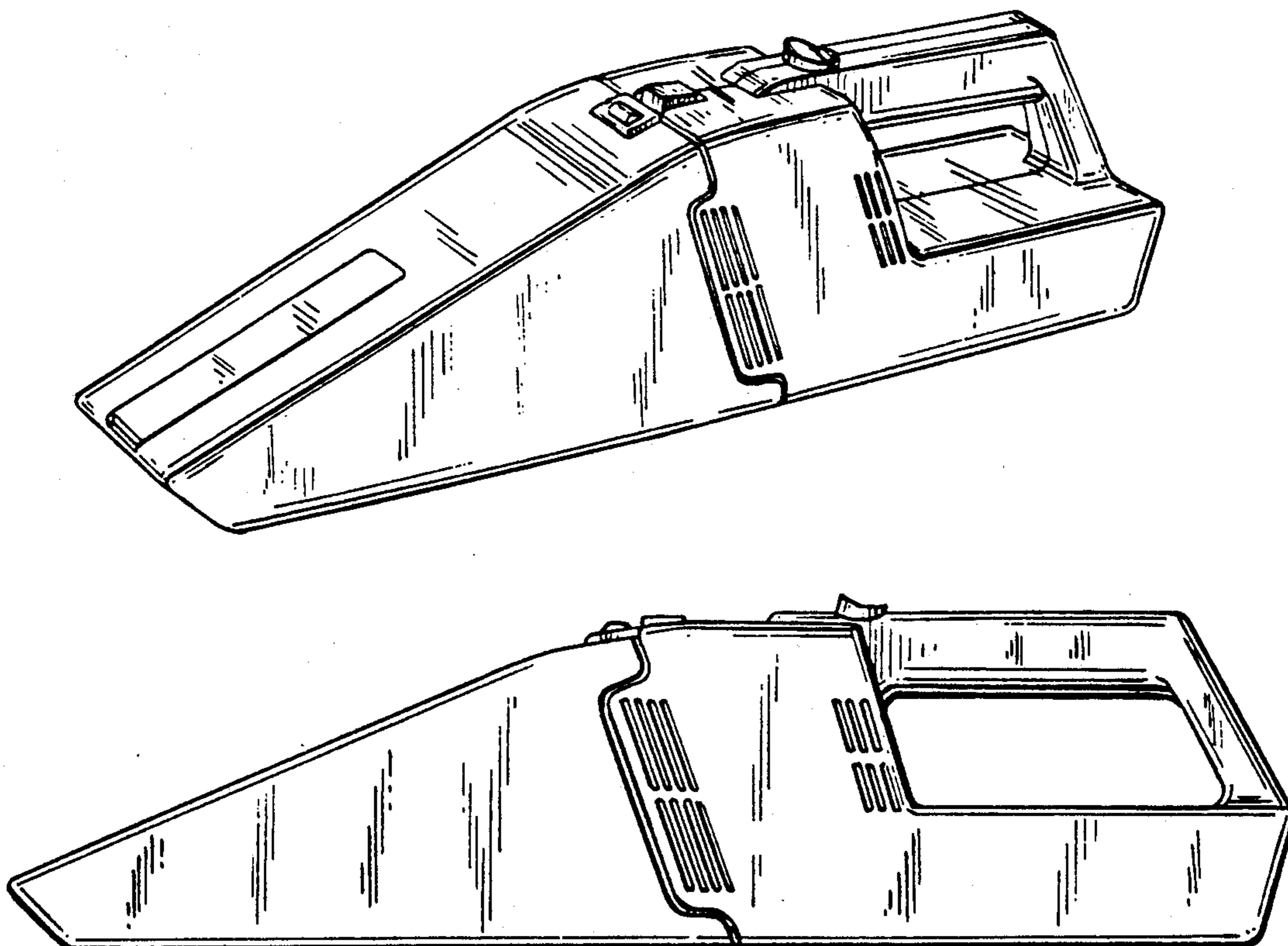
FIG. 7 is a top plan view thereof; and,

FIG. 8 is a bottom plan view thereof.

[56] **References Cited**

U.S. PATENT DOCUMENTS

D. 287,893 1/1987 Fujii et al. D32/18



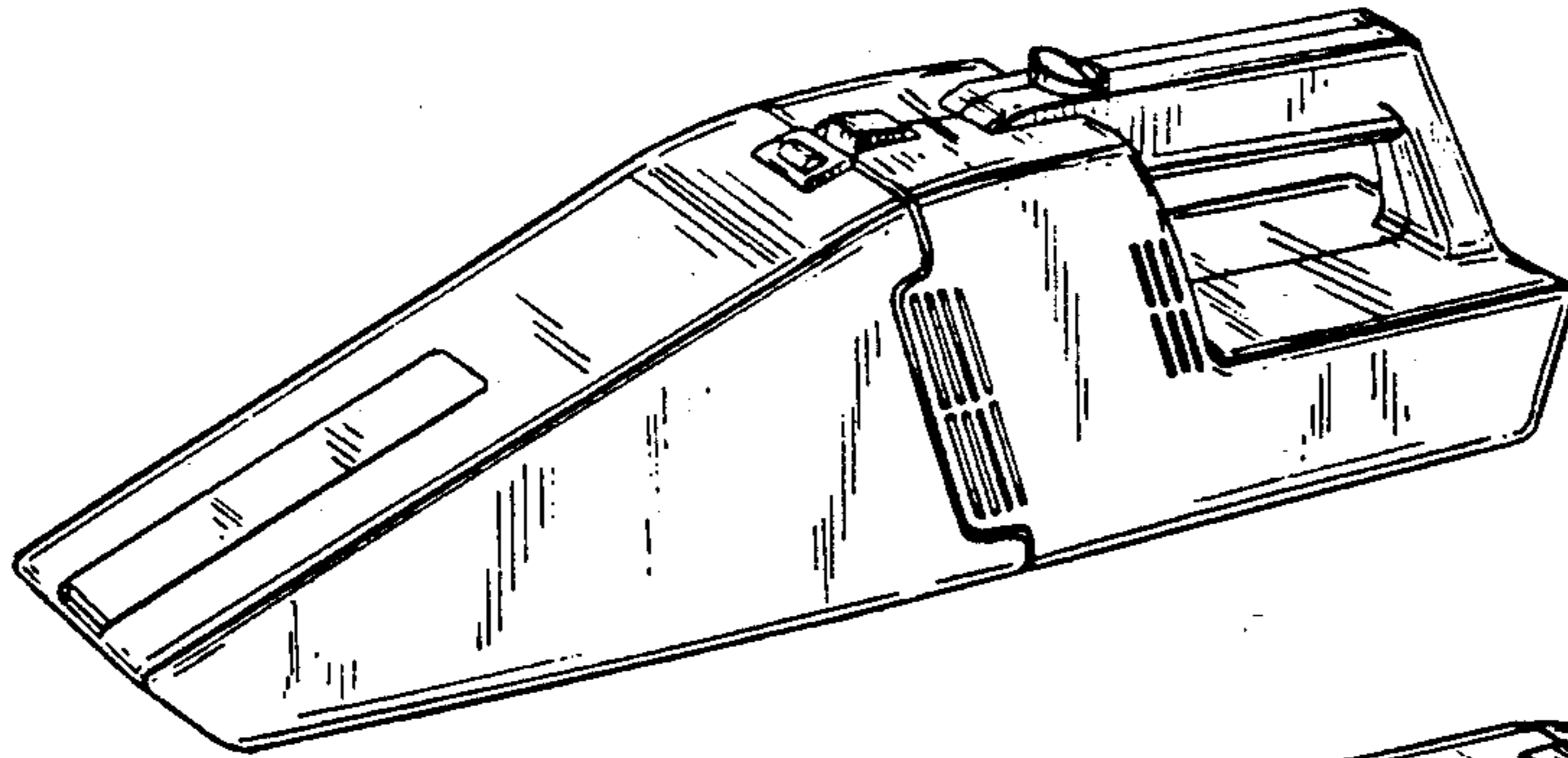


FIG. 1

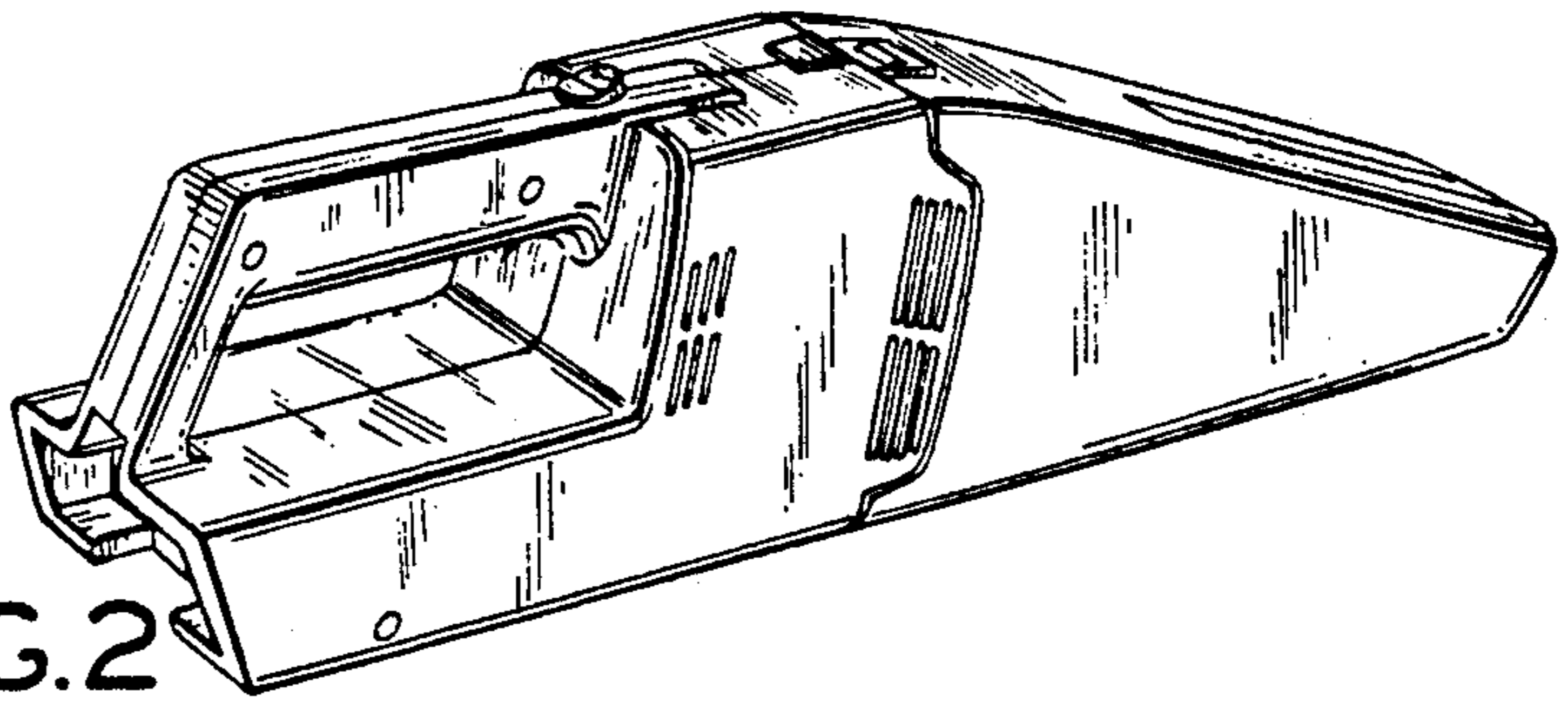


FIG. 2

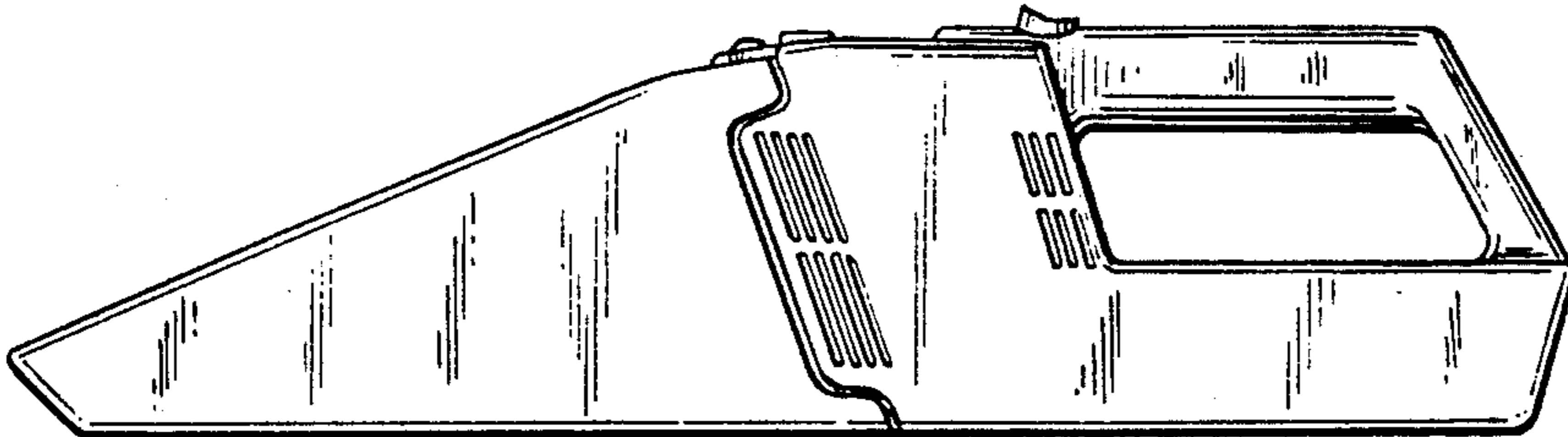


FIG. 3

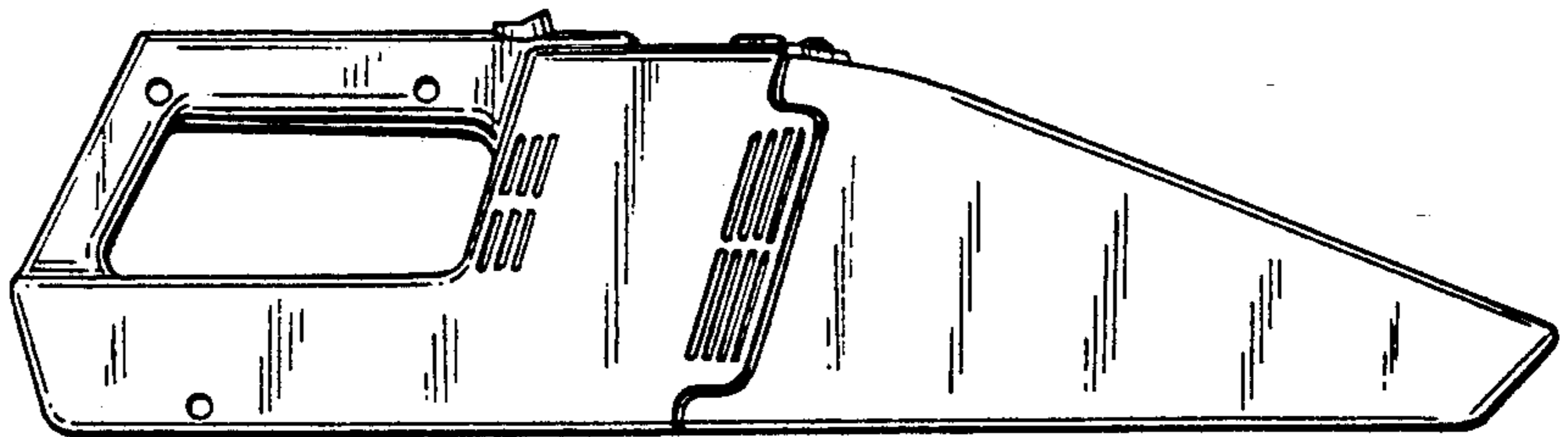


FIG. 4

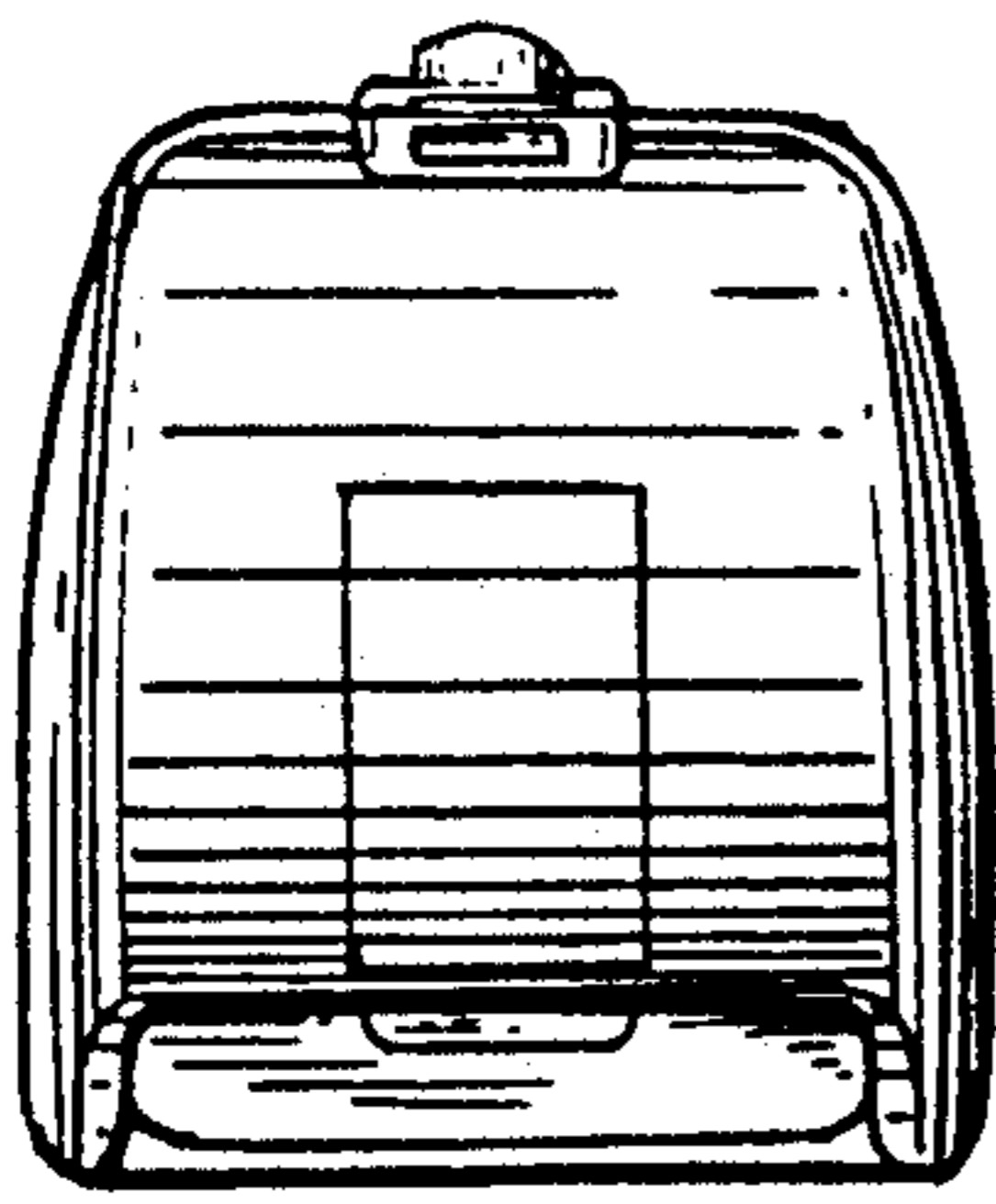


FIG. 5

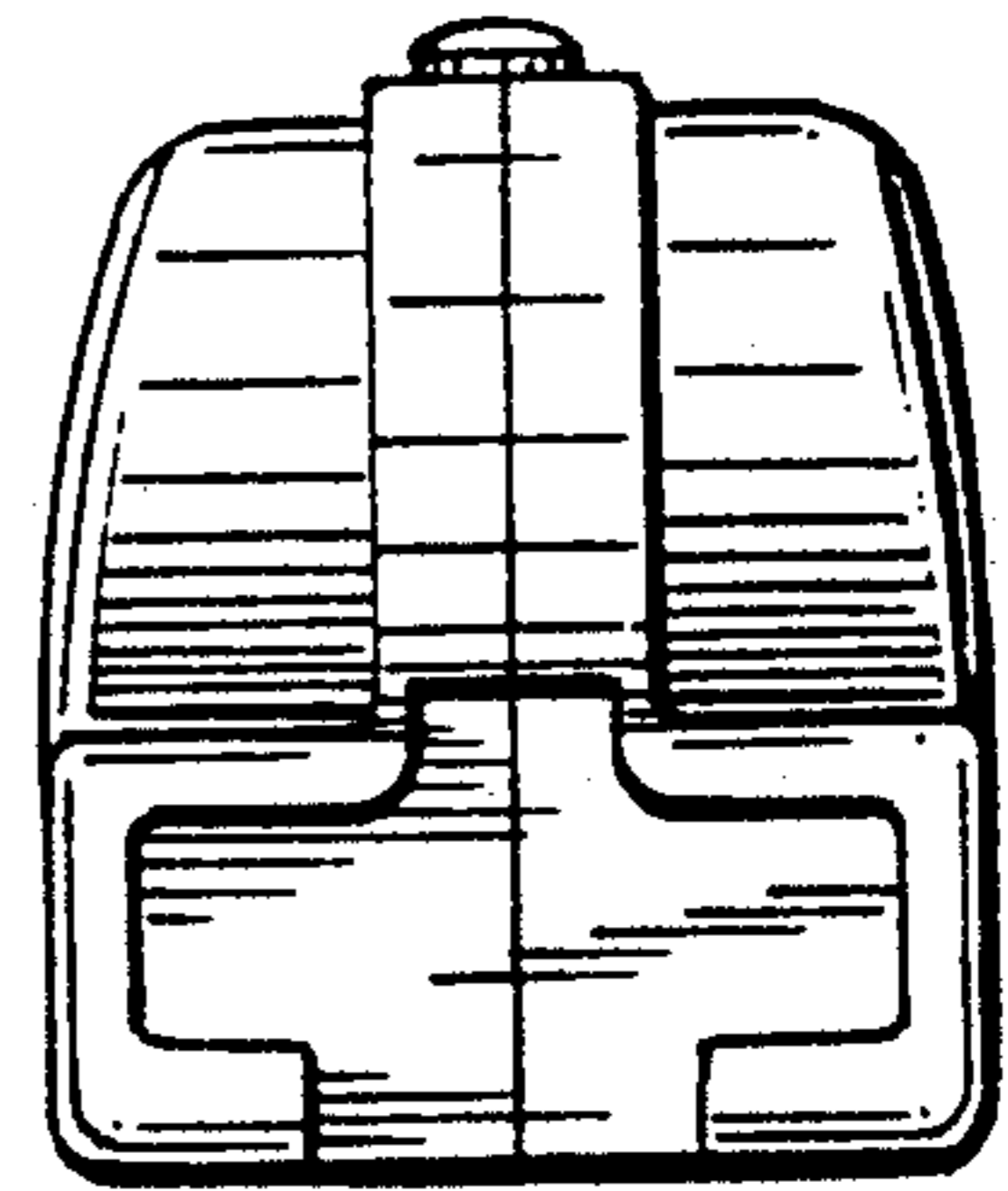


FIG. 6

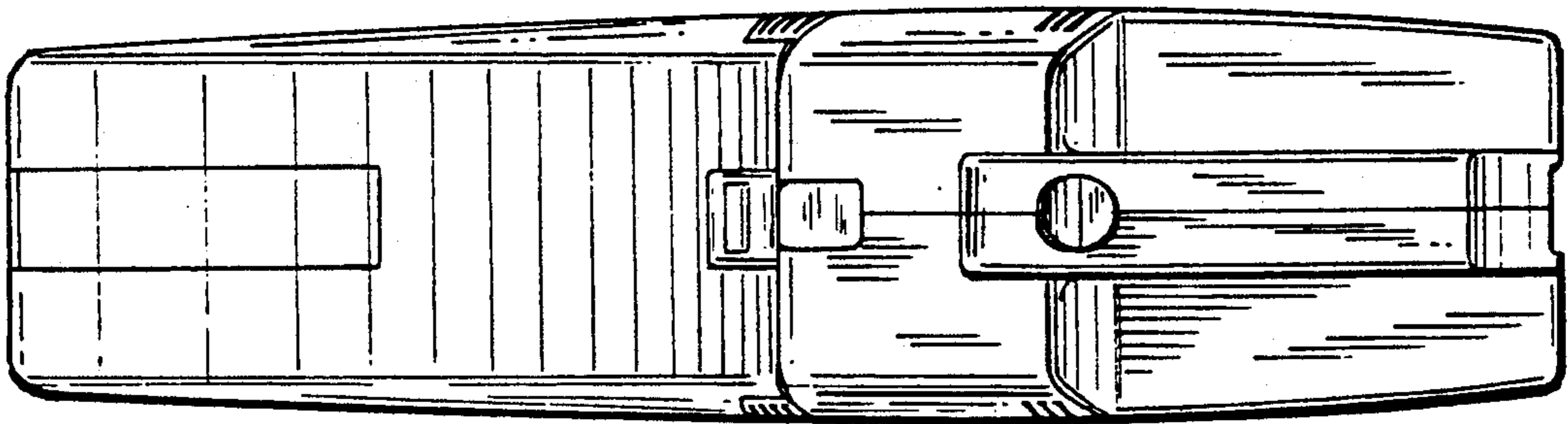


FIG. 7

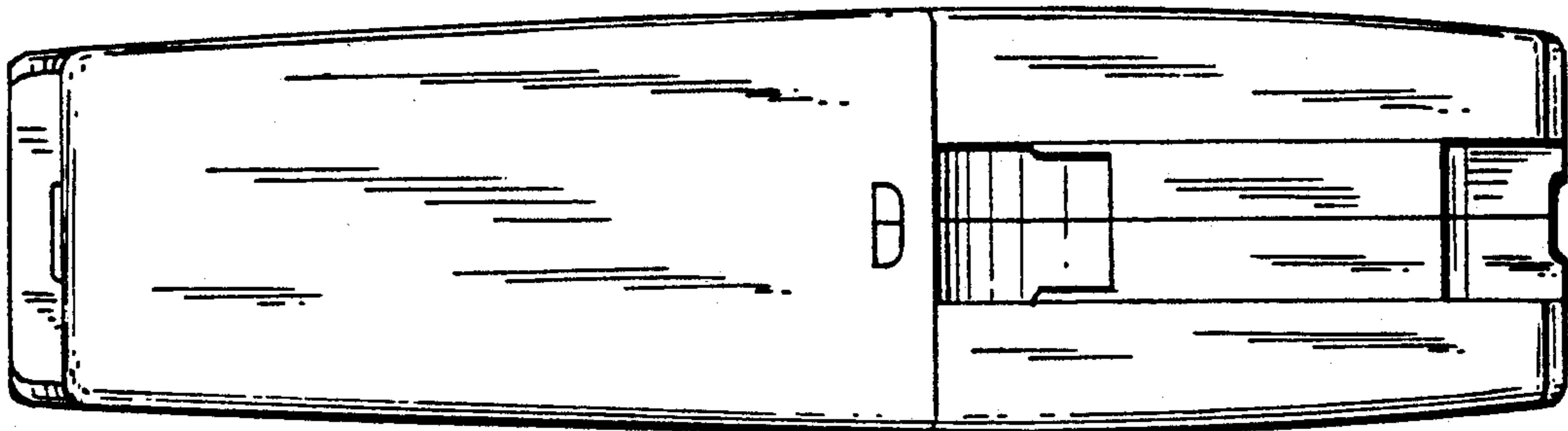


FIG. 8