



US00D326168S

United States Patent [19] Smith

[11] Patent Number: **Des. 326,168**
[45] Date of Patent: **** May 12, 1992**

[54] GIMBALED PET BOWL

[76] Inventor: **Billy J. Smith**, 8666 Hwy. 20,
Toledo, Oreg. 97391

[**] Term: **14 Years**

[21] Appl. No.: **598,333**

[22] Filed: **Oct. 16, 1990**

[52] U.S. Cl. **D30/129**

[58] Field of Search 119/57.4, 61, 52.4,
119/57.8, 57.9; D30/121-122, 129-133;
220/516, 23.6, 630, 23.83, 23.4, 575; 206/503,
551, 423; D7/602, 629, 523, 529, 533-555, 501,
505, 550, 552, 590, 630; 248/184; D26/22, 9, 13,
20

[56] References Cited

U.S. PATENT DOCUMENTS

D. 192,550	4/1902	Wright	D26/22
679,449	7/1901	Berthe	220/630
694,760	3/1902	Lathrop	119/61
1,342,807	6/1920	Harrington	220/630
1,414,911	5/1922	Watson	220/630
2,475,499	7/1949	Hearst	248/184
2,493,043	1/1950	Stipsky	248/184
2,755,049	7/1956	Curtiss	248/184

FOREIGN PATENT DOCUMENTS

1605 of 1888 United Kingdom 119/61
1571576 7/1980 United Kingdom 119/61

Primary Examiner—A. Hugo Word
Assistant Examiner—Cathy Anne MacCormac
Attorney, Agent, or Firm—Marger Johnson McCollom
& Stolowitz, Inc.

[57] CLAIM

The ornamental design for a gimbaled pet bowl, as shown and described.

DESCRIPTION

FIG. 1 is a perspective view of a gimbaled pet bowl, showing my new design;
FIG. 2 is a top plan view thereof;
FIG. 3 is a front elevational view thereof;
FIG. 4 is a bottom plan view thereof;
FIG. 5 is a left side elevational view thereof, the right side being a mirror image of the left side shown;
FIG. 6 is a rear elevational view thereof;
FIG. 7 is a perspective view of an alternative embodiment of FIG. 1;
FIG. 8 is a top plan view of FIG. 7;
FIG. 9 is a side elevational view of FIG. 7, all sides being identical to the side shown; and,
FIG. 10 is a bottom plan view of FIG. 7.

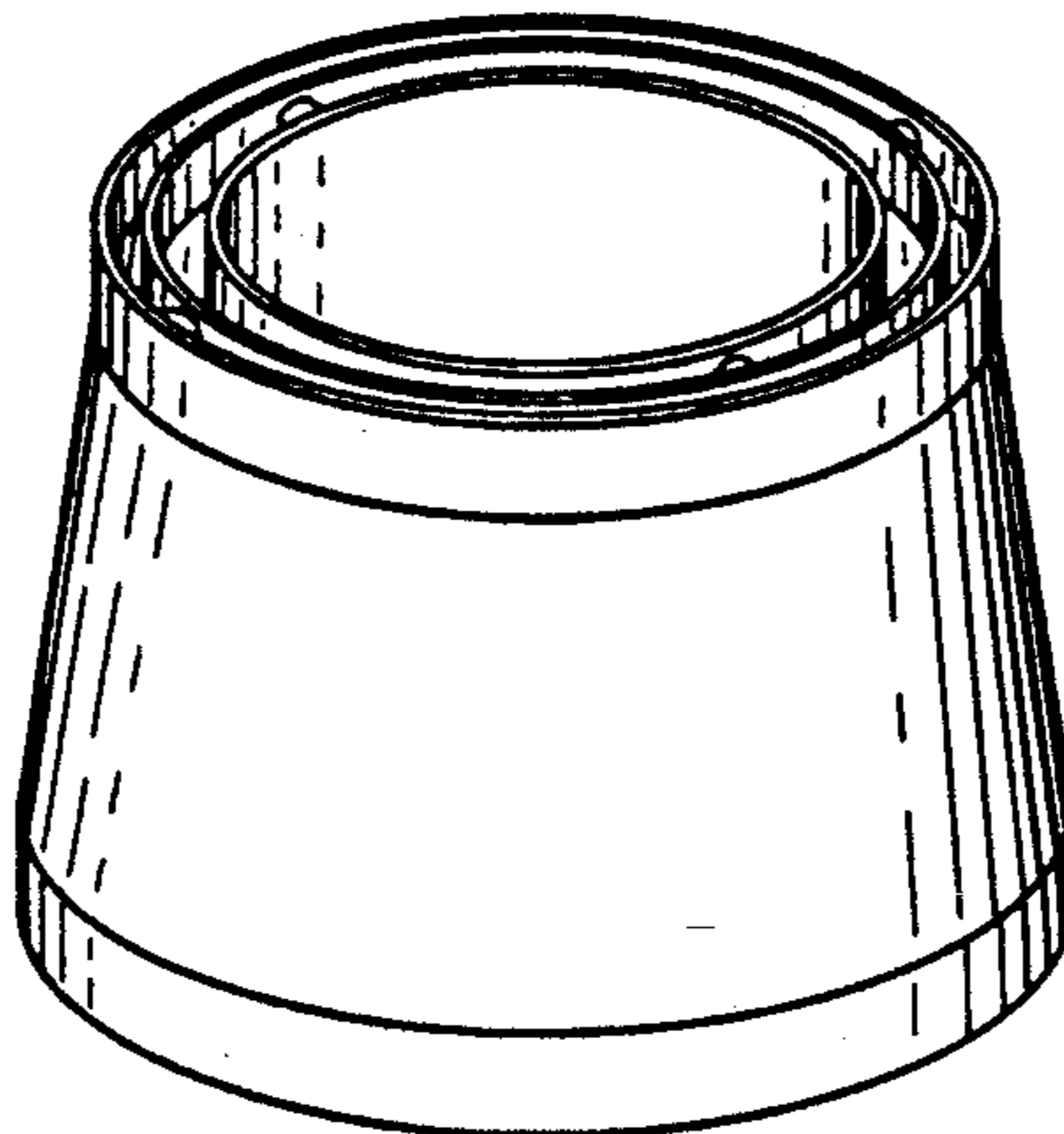
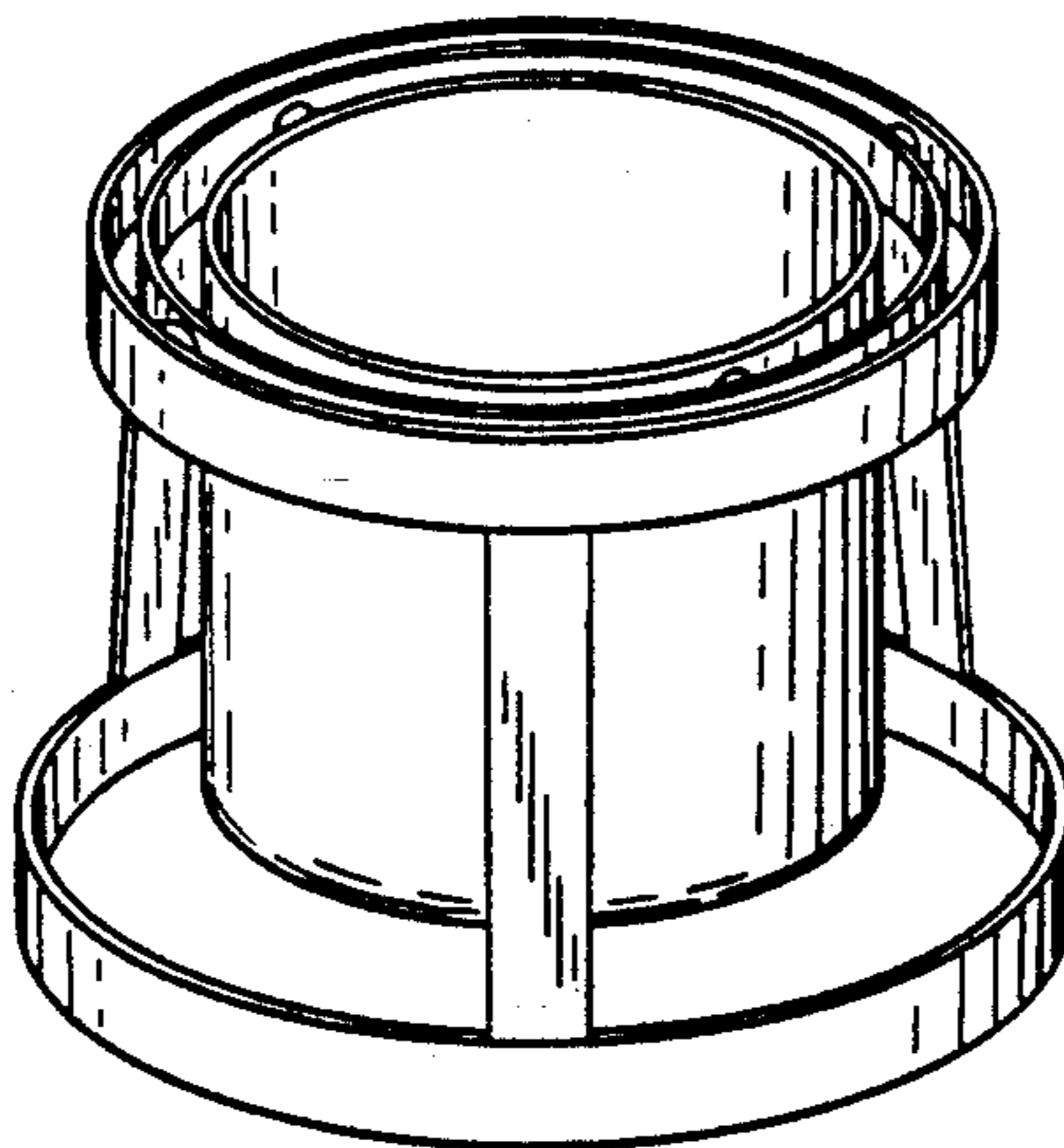


FIG. 1

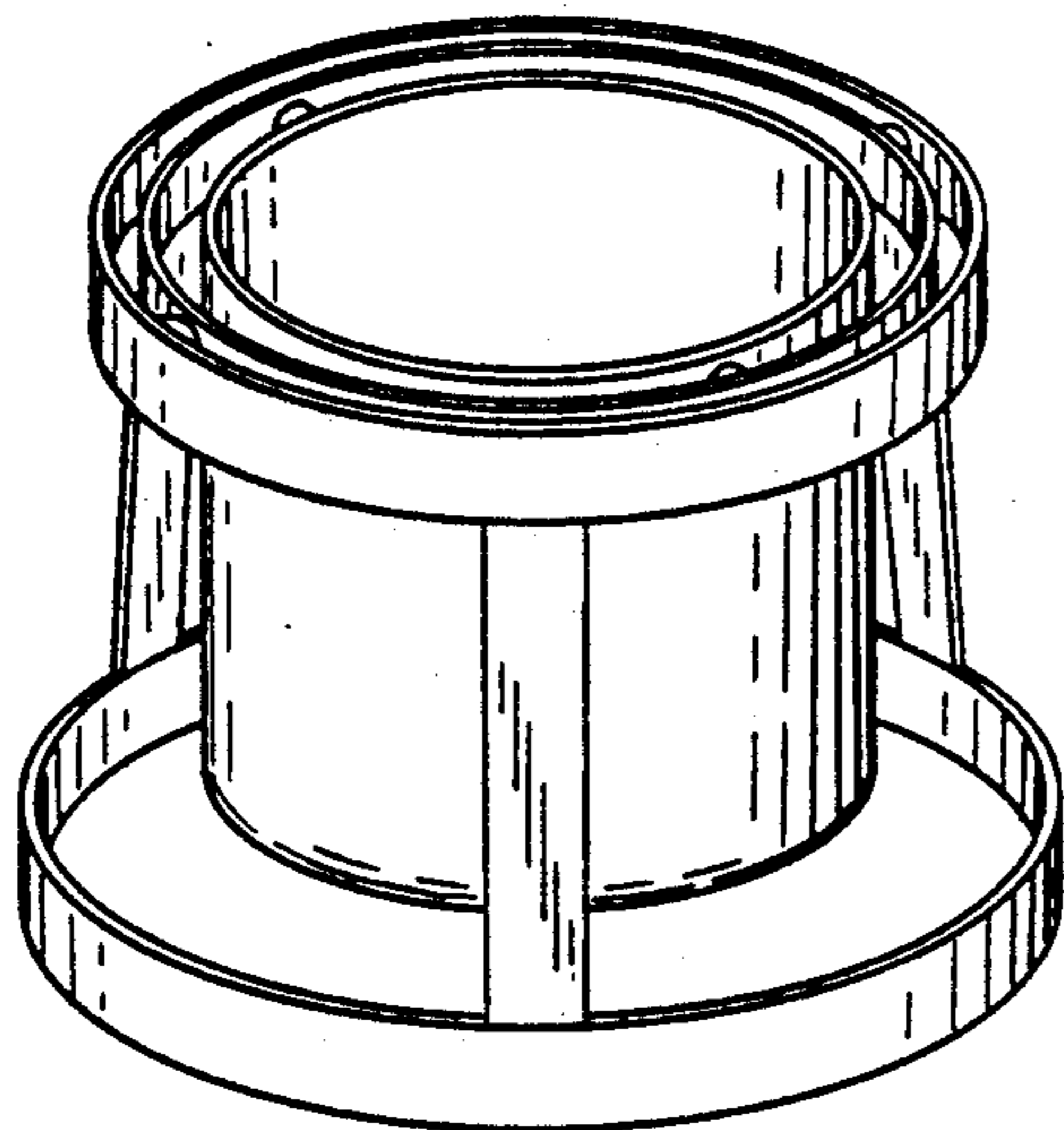


FIG. 2

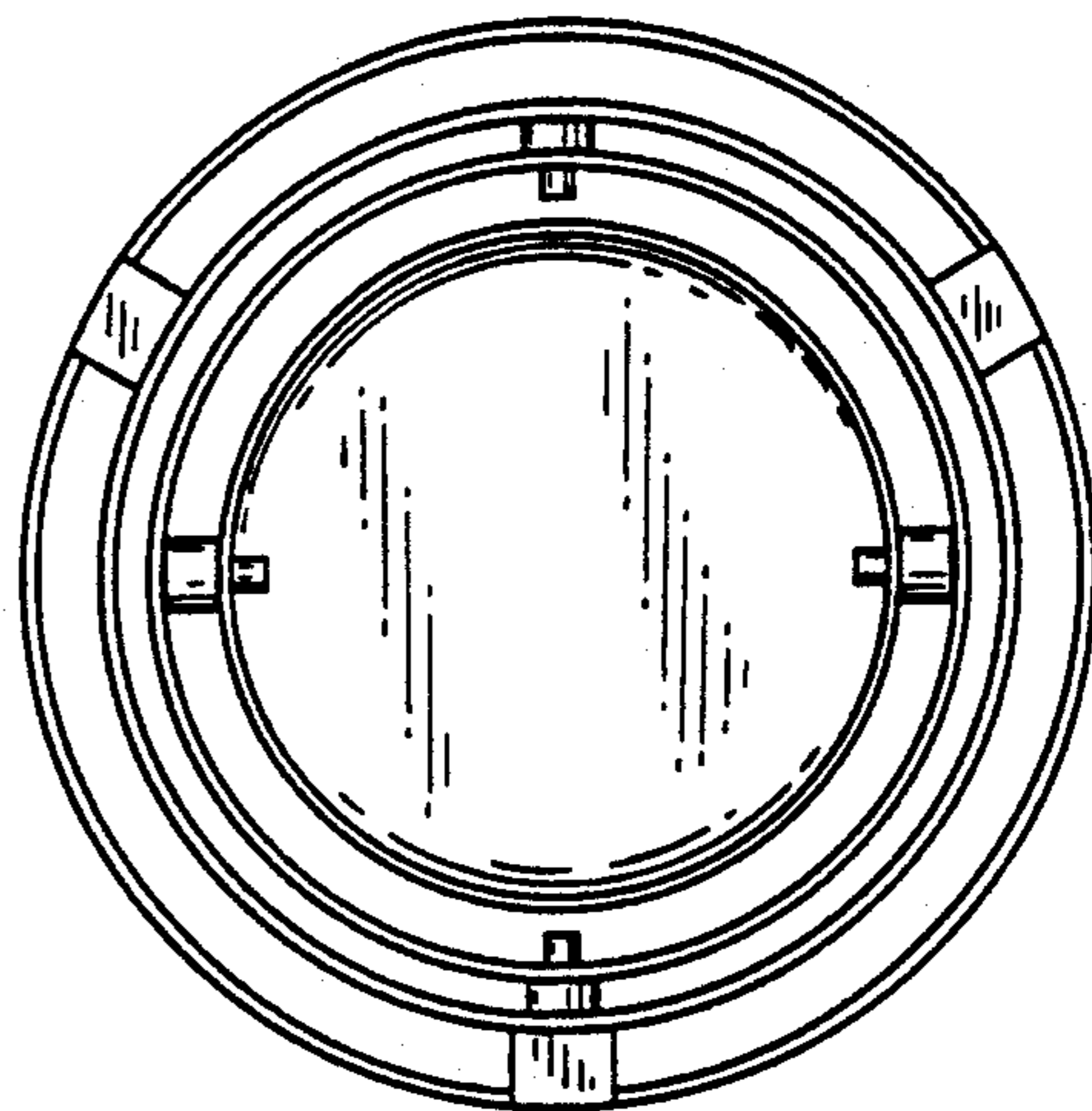


FIG. 5

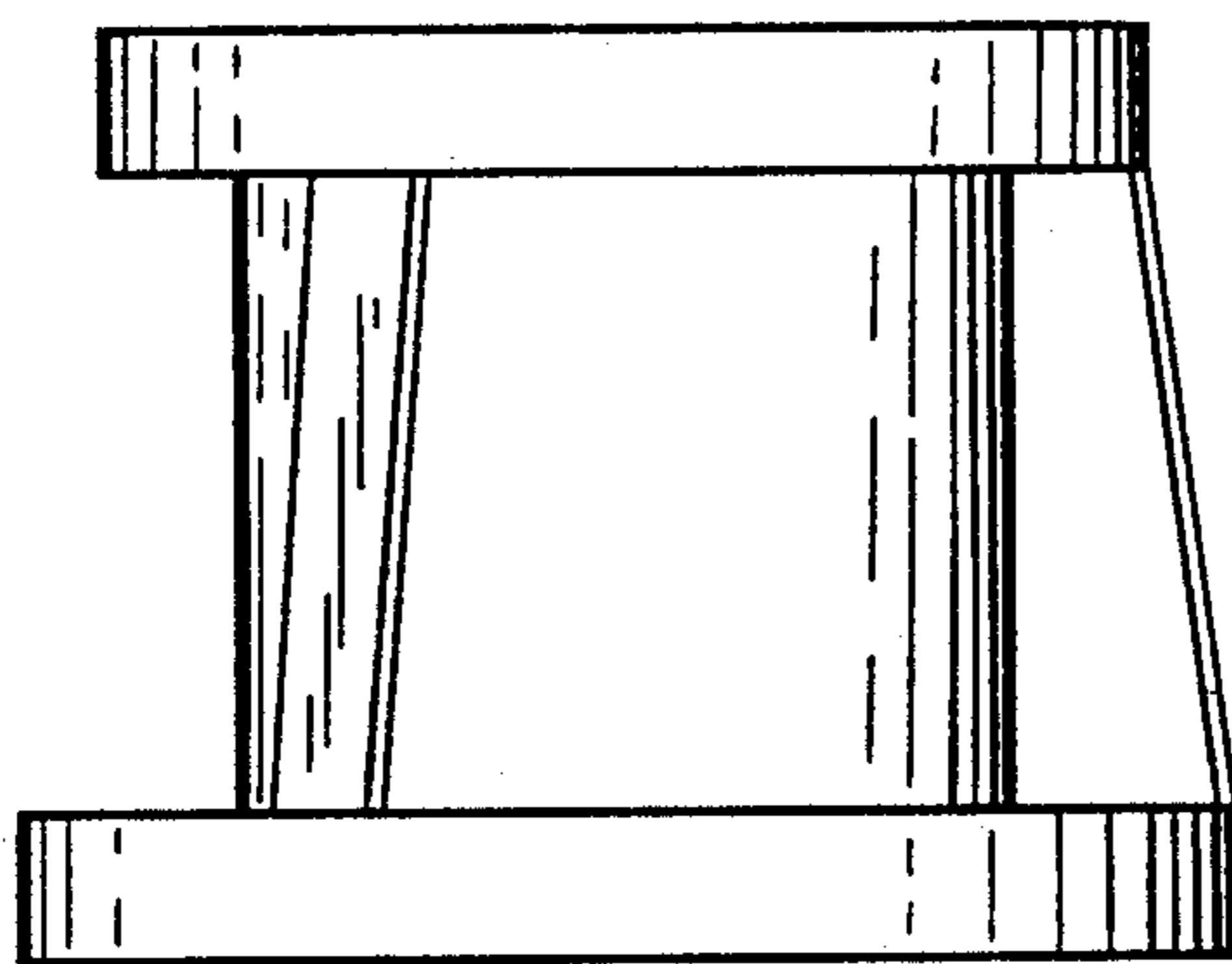


FIG. 3

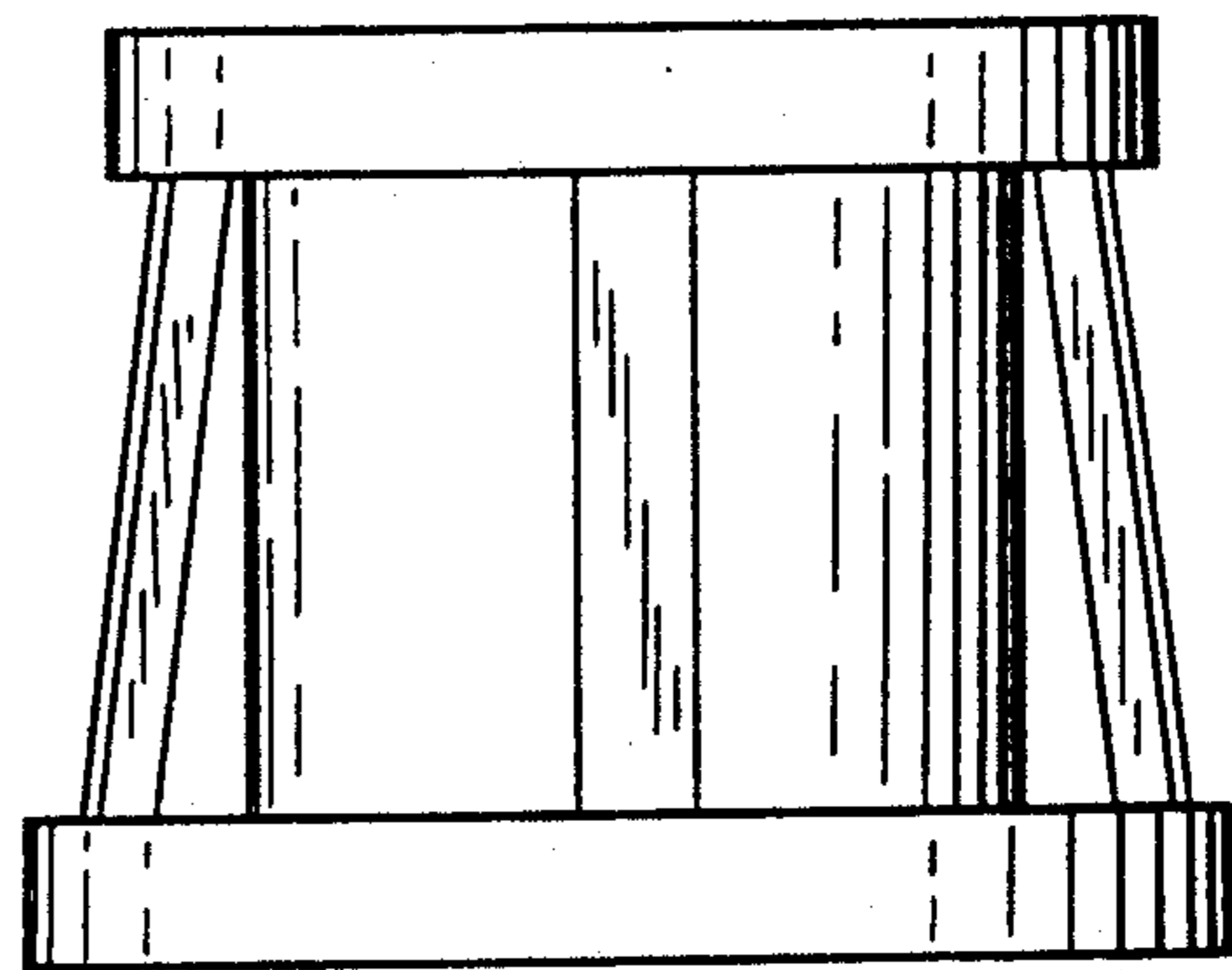


FIG. 6

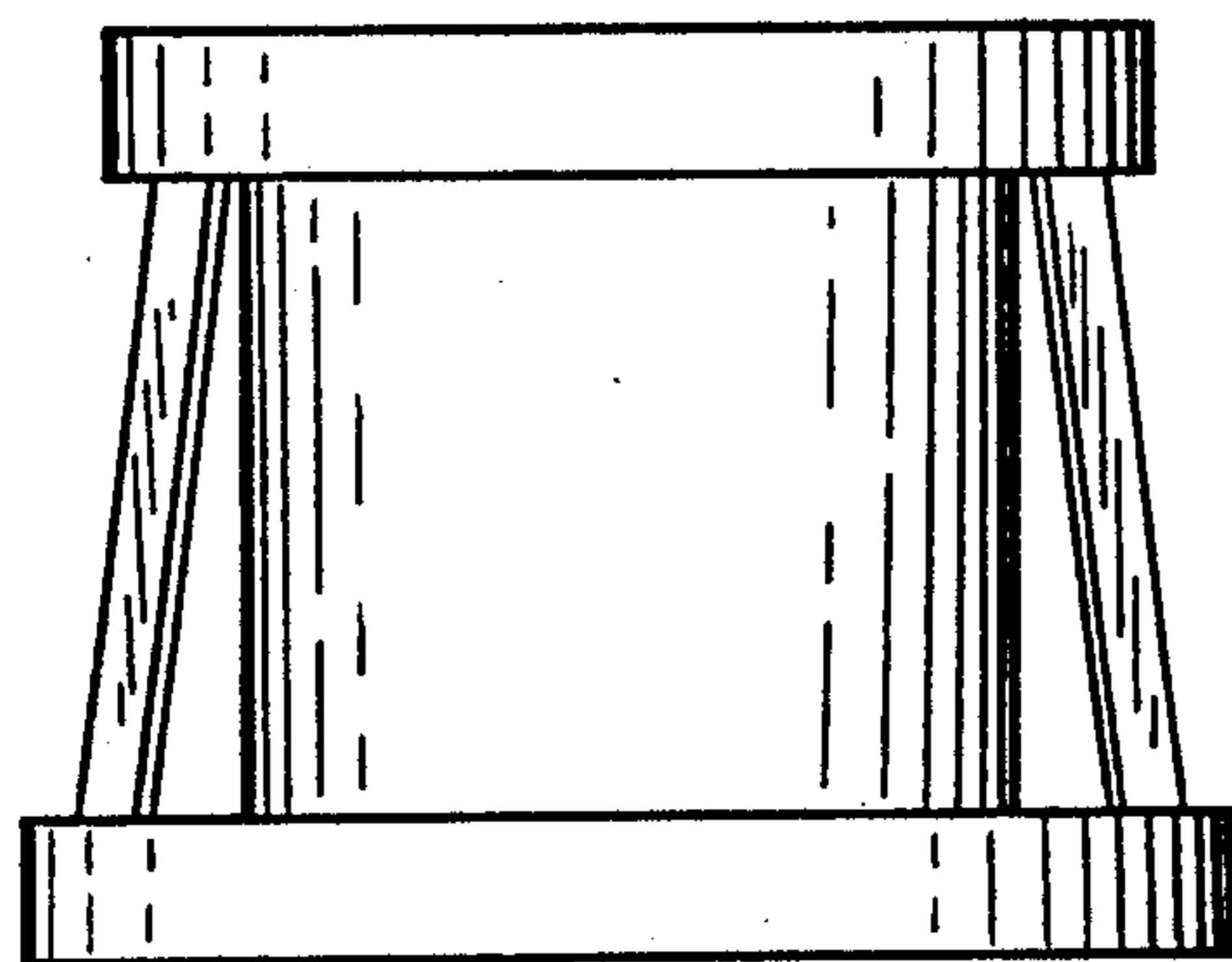


FIG. 4

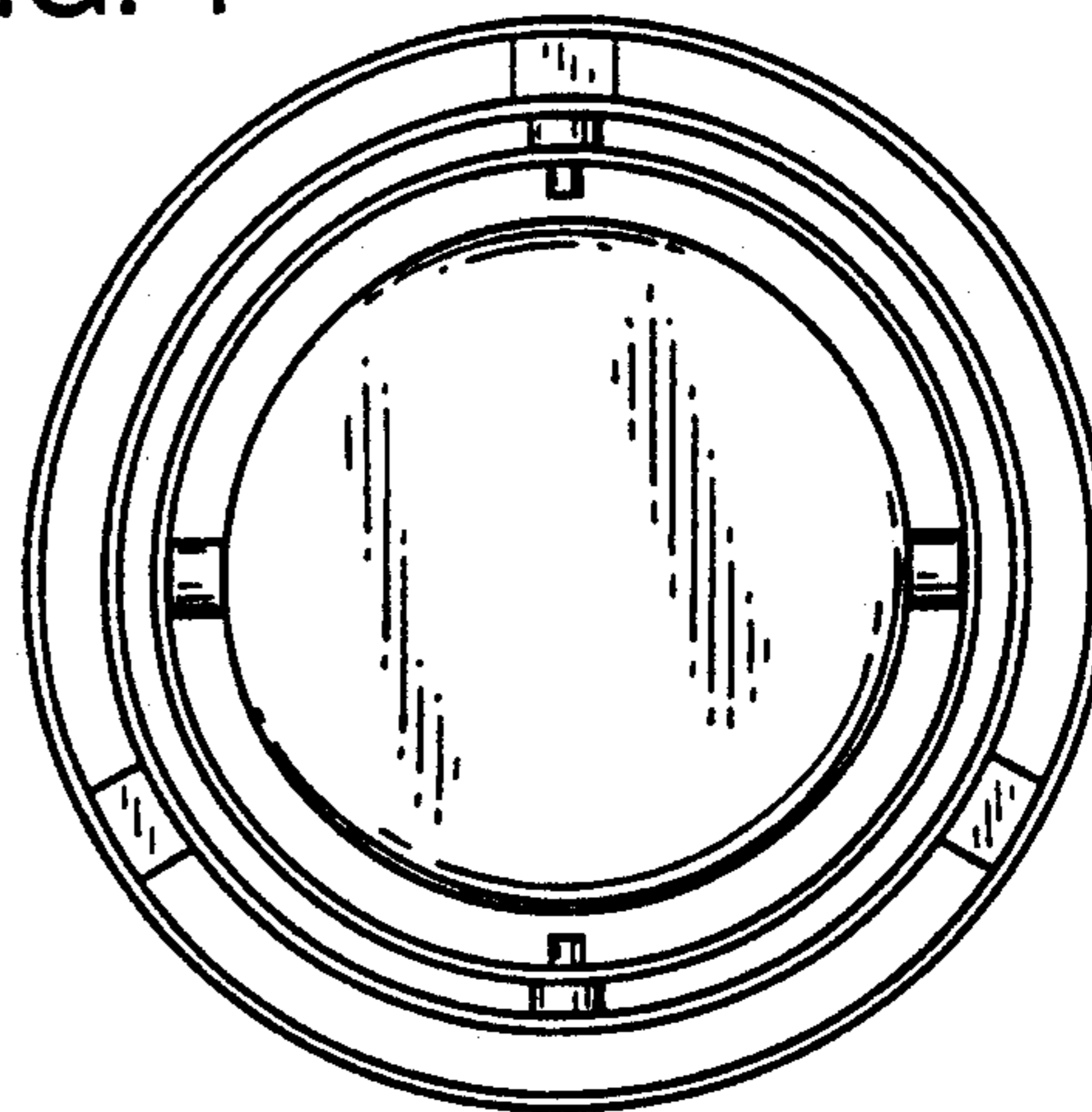


FIG. 7

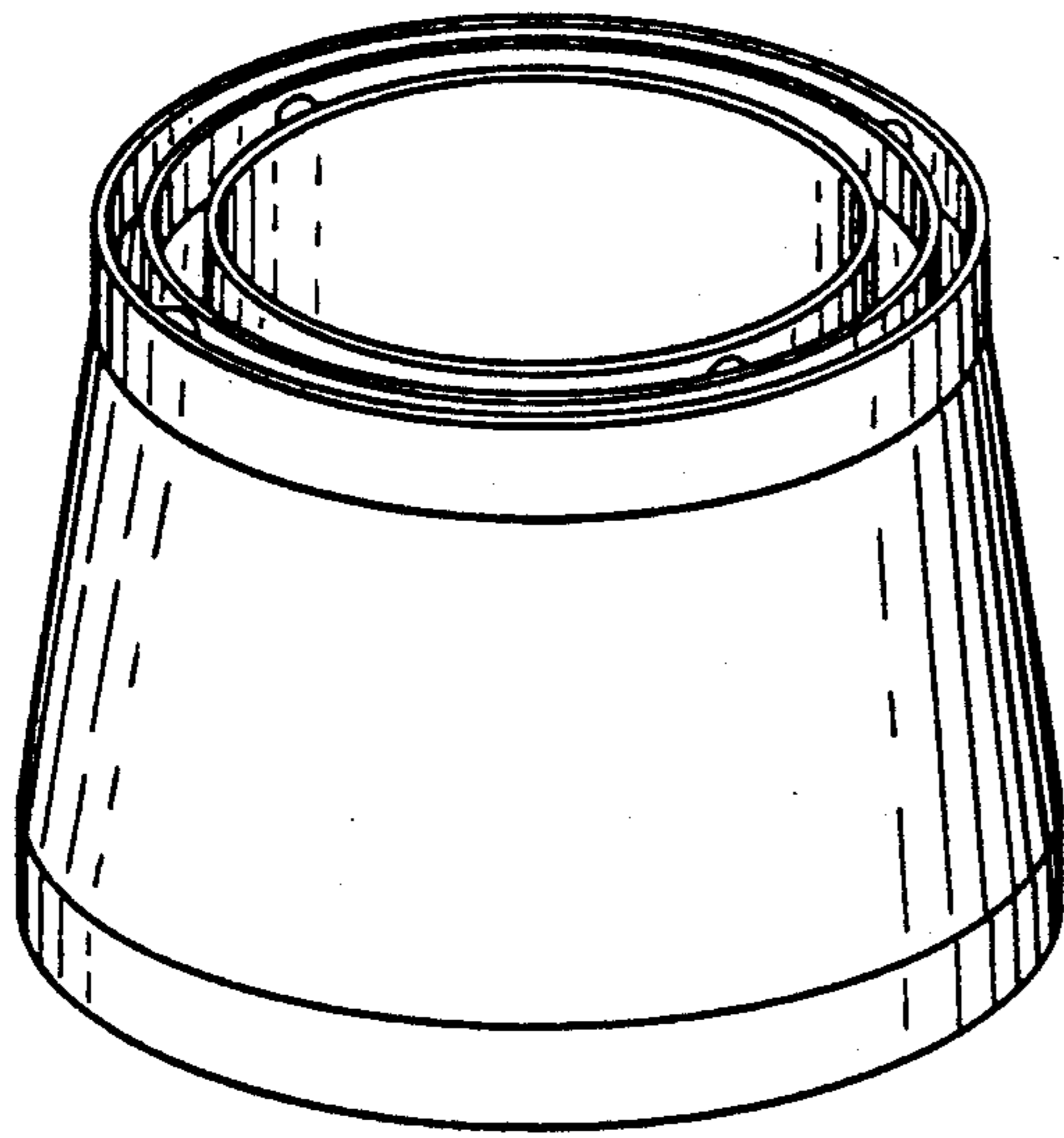


FIG. 8

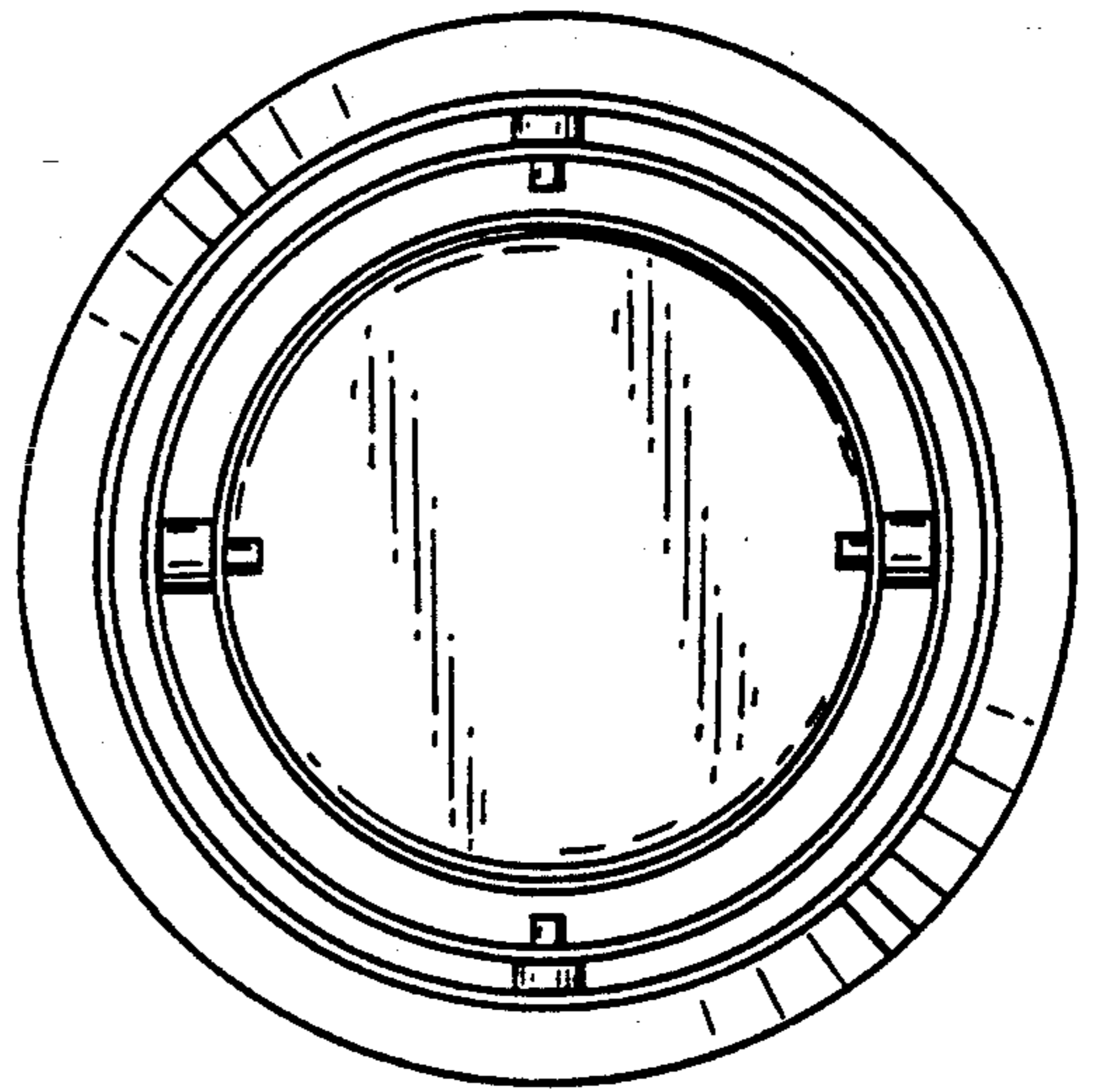


FIG. 9

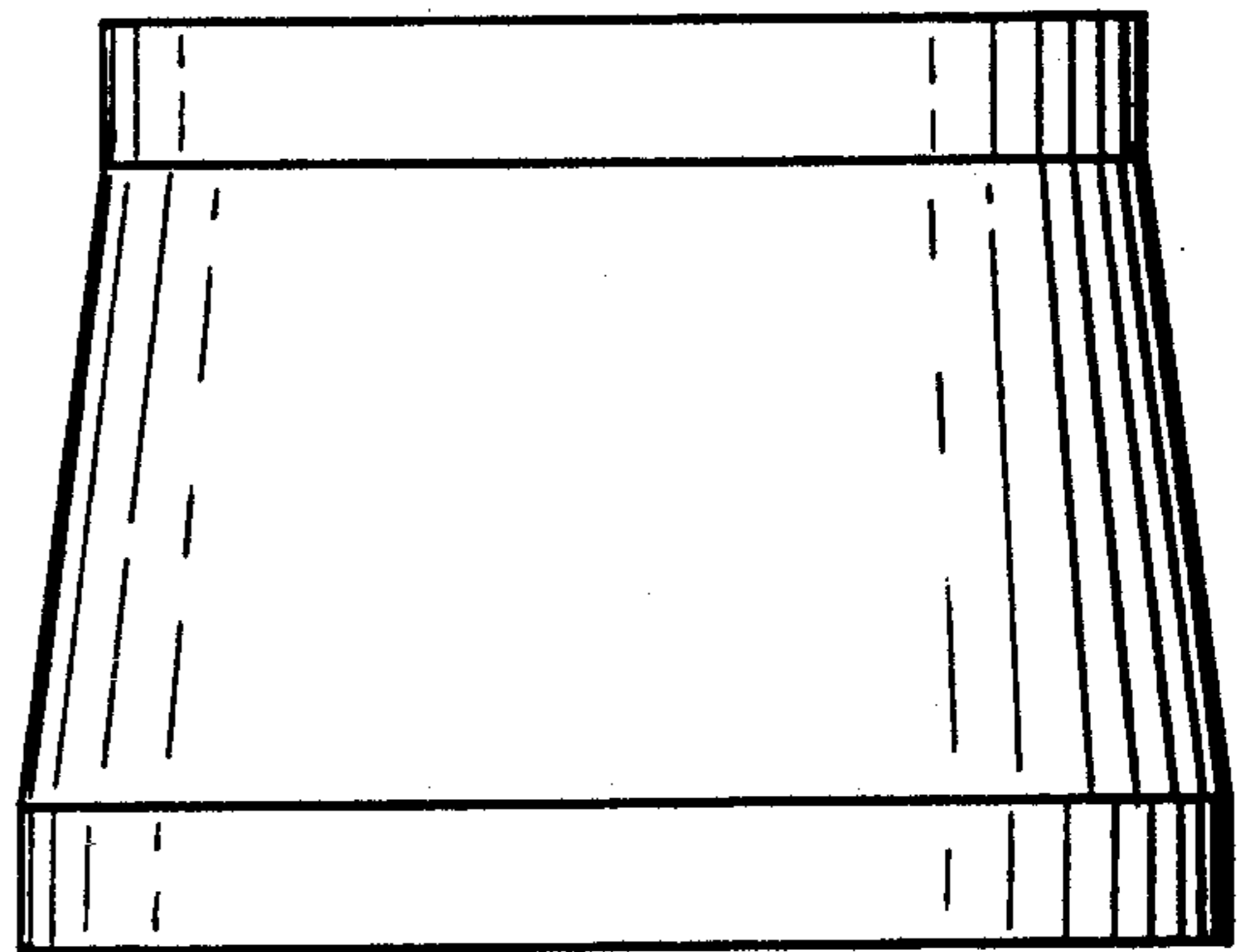


FIG. 10

