



US00D326164S

United States Patent [19]

[11] Patent Number: **Des. 326,164**

Taylor

[45] Date of Patent: **** May 12, 1992**

[54] **CURLING IRON HEATER**

[76] Inventor: **Herbert A. Taylor**, 8392-0 Roswell Rd., Dunwoody, Ga. 30350

[**] Term: **14 Years**

[21] Appl. No.: **580,516**

[22] Filed: **Sep. 11, 1990**

[52] U.S. Cl. **D28/38**

[58] Field of Search **D28/38, 18, 73, 61; D8/71; D6/469; D19/84, 85; 211/13, 60.1, 60.5, 70.6; 248/117.1-117.7, 176; 219/222, 242**

[56] **References Cited**

U.S. PATENT DOCUMENTS

D. 165,565	12/1951	White	D28/73
D. 217,789	6/1970	Oddo	D19/85
D. 223,968	6/1972	Collura	D19/84 X
D. 238,211	12/1975	Waters et al.	D28/38 X
D. 269,836	7/1983	Pruzan	D6/467

1,502,385	7/1924	Havenstein	248/176 X
4,103,145	7/1978	Oliveri	219/222
4,412,618	11/1983	La Conte	211/70.6 X

Primary Examiner—Bernard Ansher
Assistant Examiner—C. Tuttle
Attorney, Agent, or Firm—Hopkins & Thomas

[57] **CLAIM**

The ornamental design for a curling iron heater, as shown and described.

DESCRIPTION

FIG. 1 is a top perspective view of a curling iron heater showing my new design;
FIG. 2 is a front elevational view thereof;
FIG. 3 is a right side elevational view thereof, the side opposite being a substantial mirror image of the side shown;
FIG. 4 is a rear elevational view thereof;
FIG. 5 is a top plan view thereof; and,
FIG. 6 is a bottom plan view thereof.

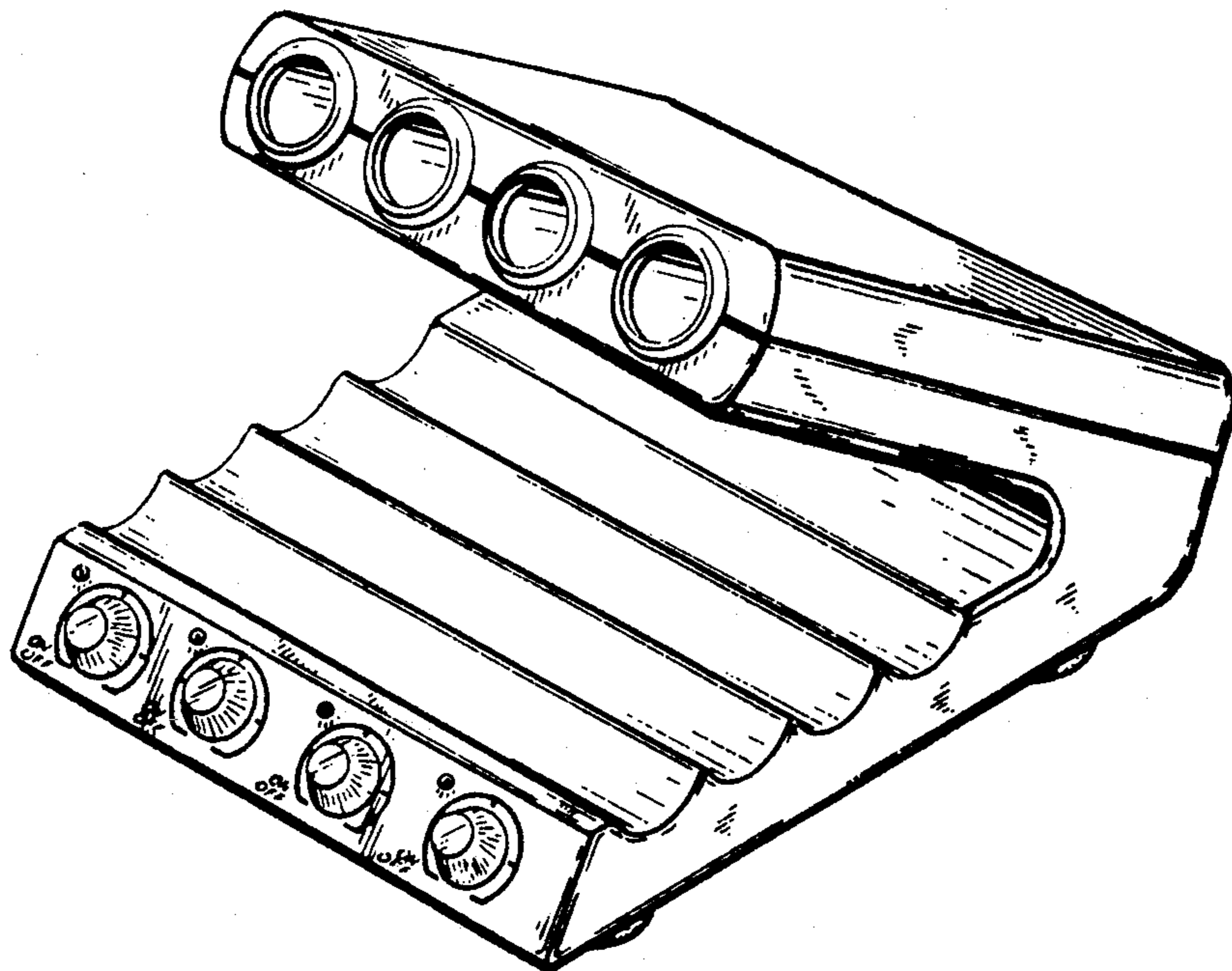


FIG 1

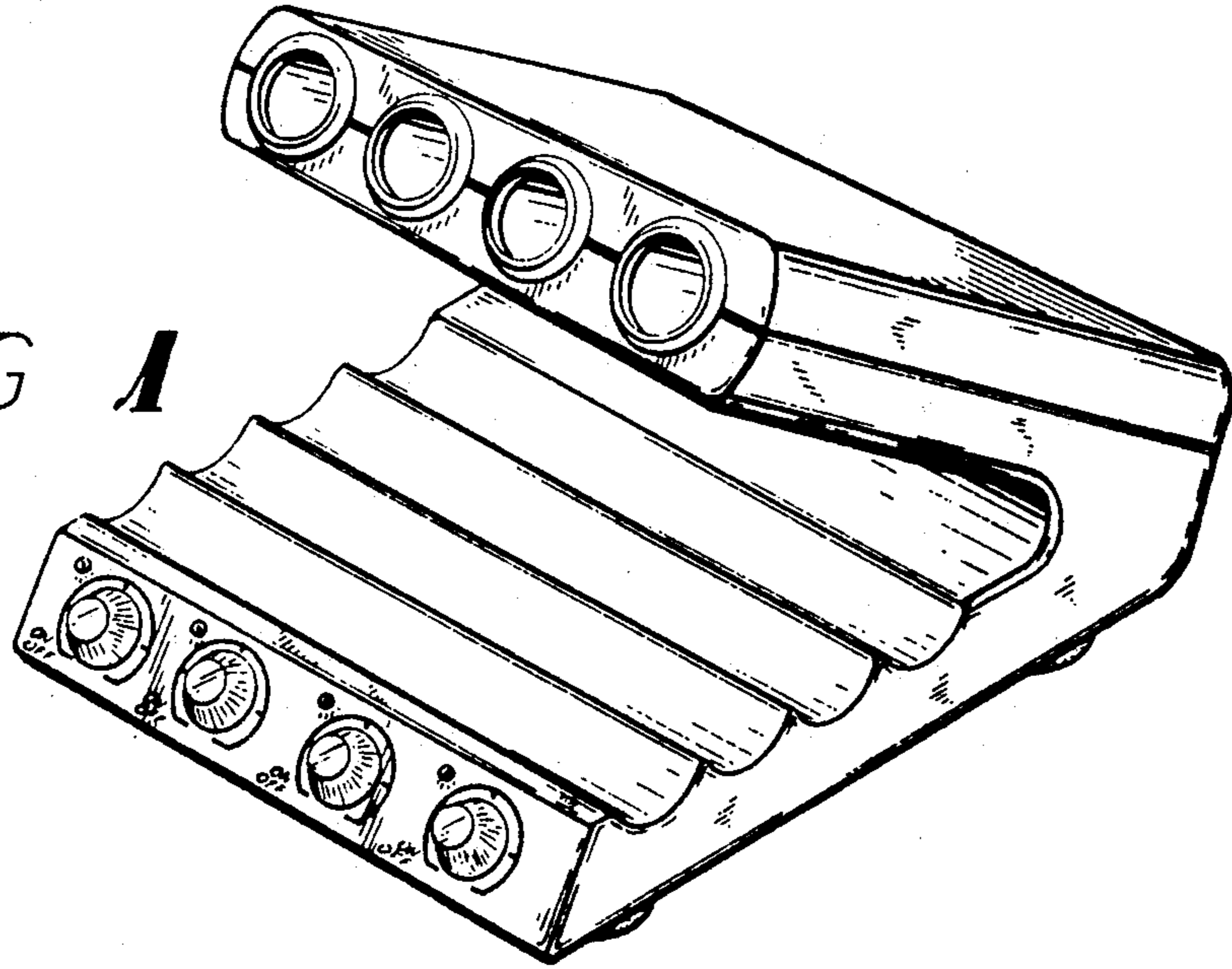


FIG 2

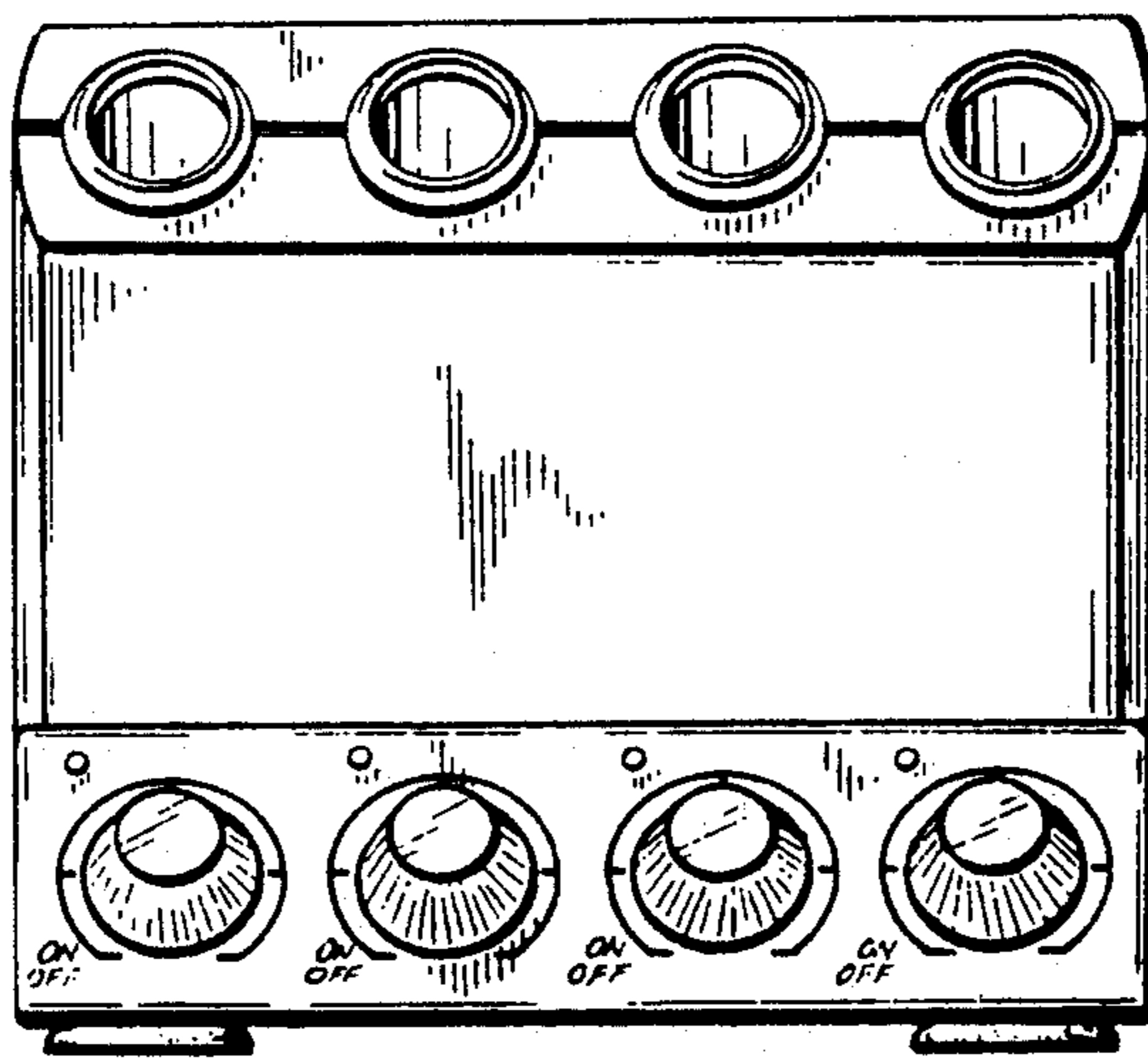
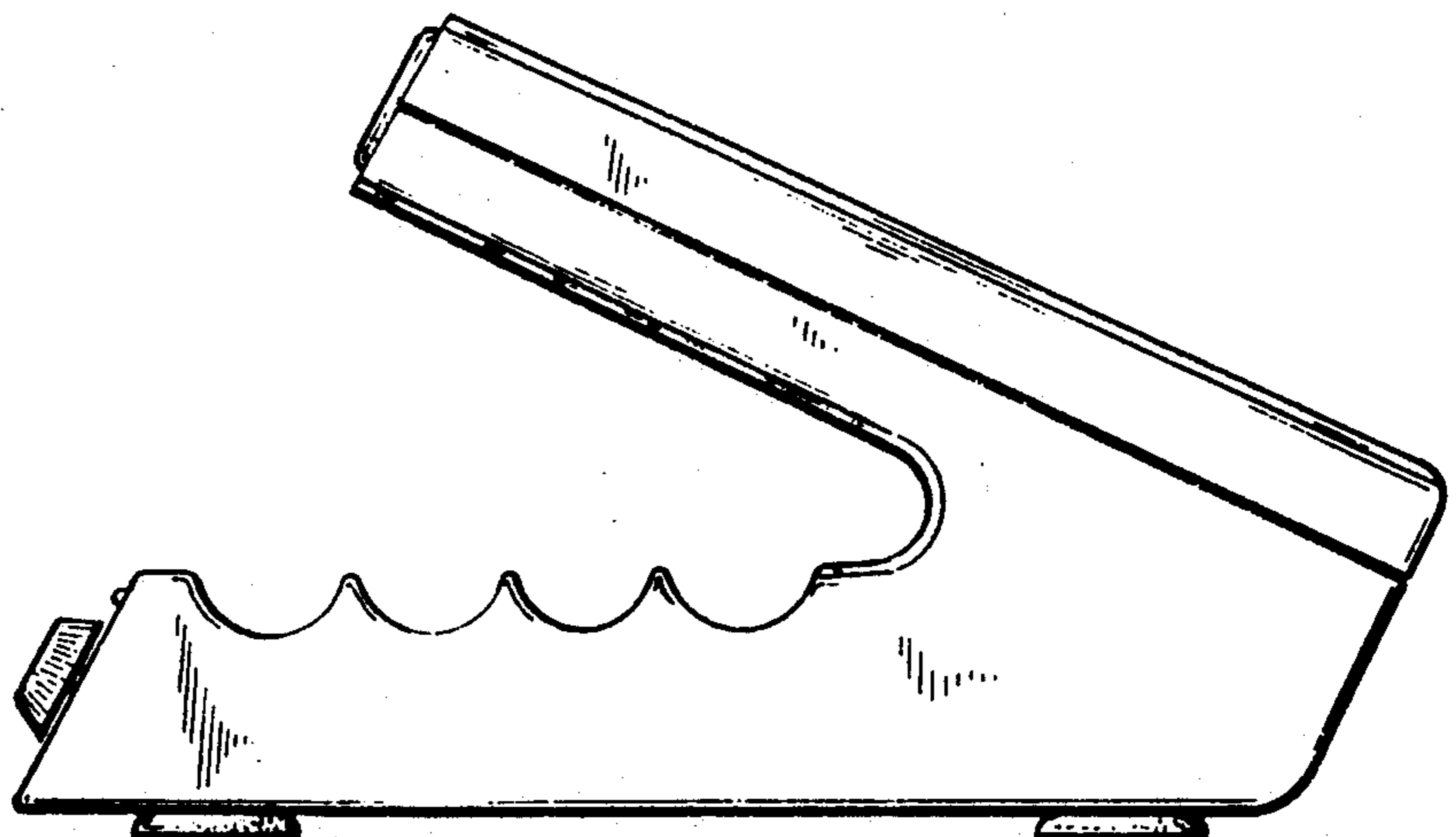


FIG 3



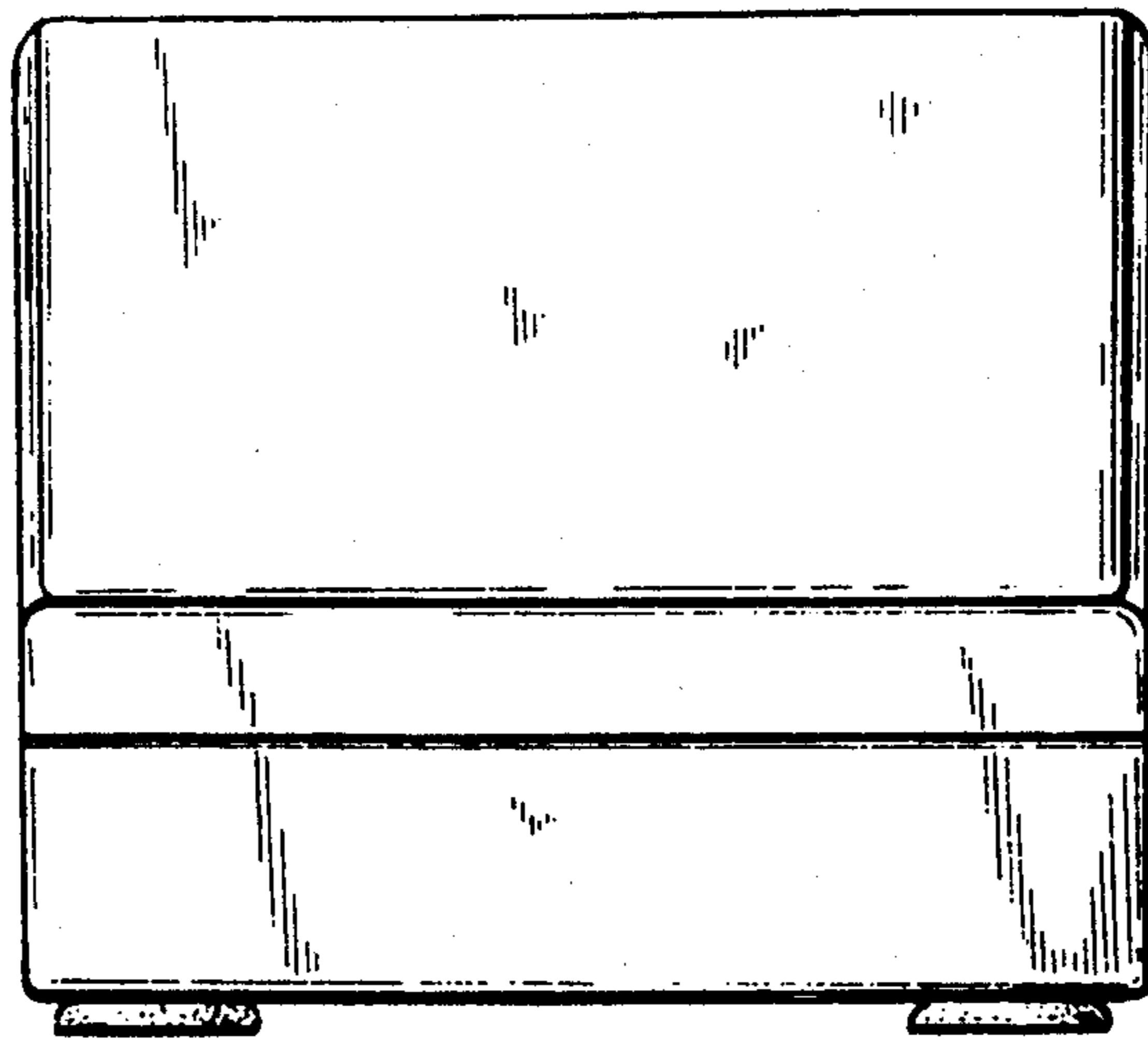


FIG 4

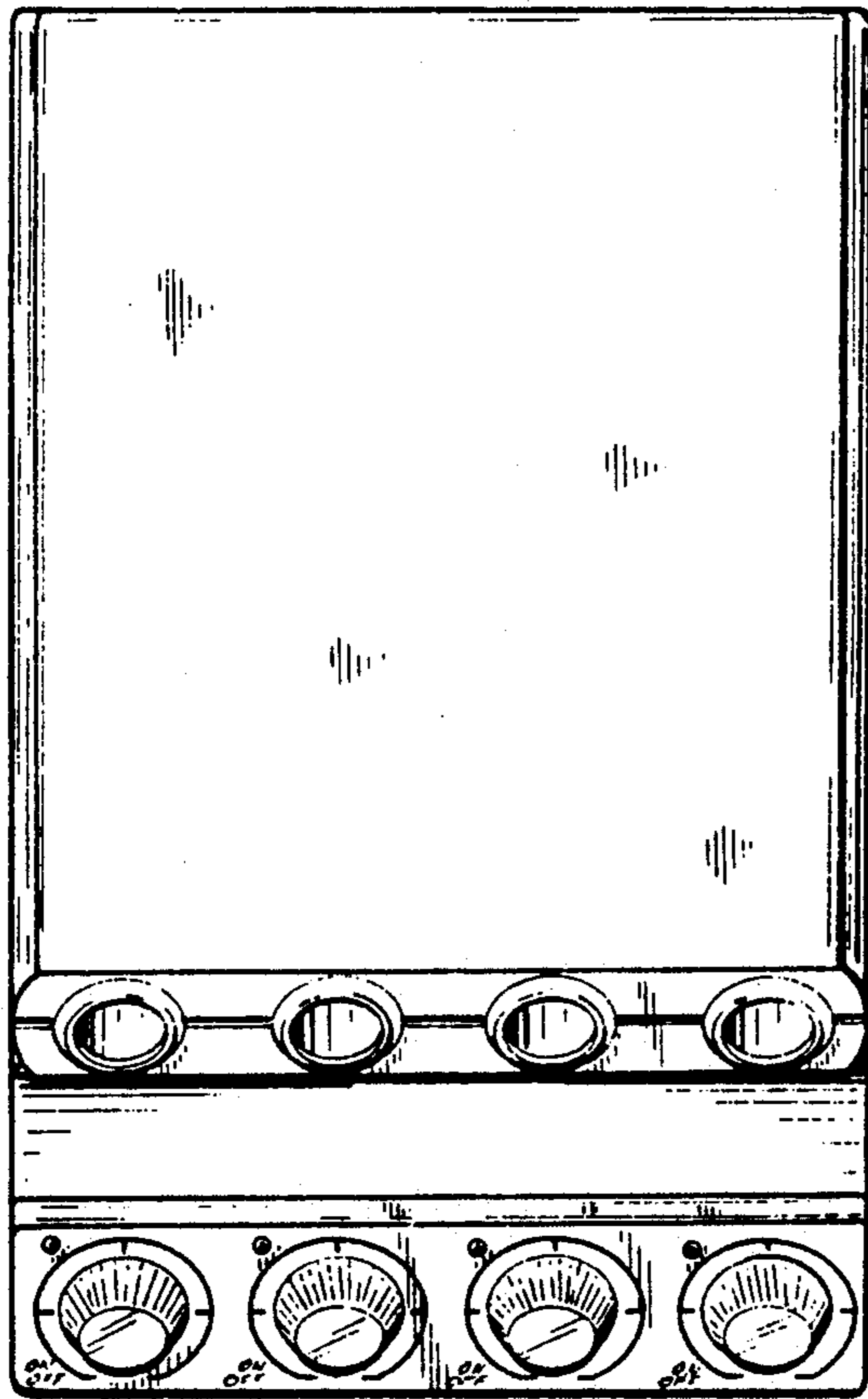


FIG 5

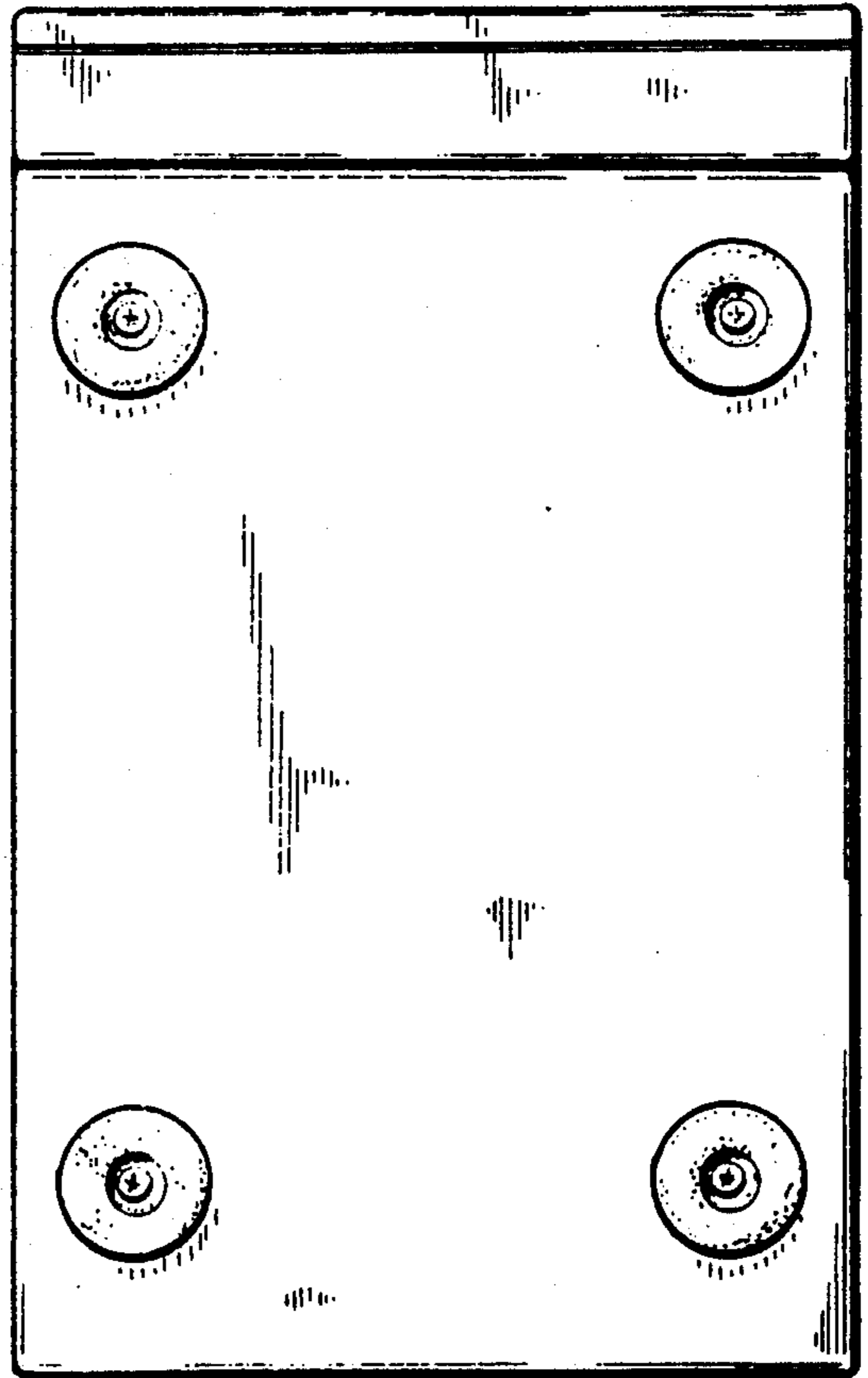


FIG 6