



US00D326162S

United States Patent [19]

[11] Patent Number: **Des. 326,162**

Price

[45] Date of Patent: **** May 12, 1992**

[54] LIGHT FIXTURE

4,931,917 6/1990 Scherf et al. 362/419 X

[75] Inventor: **Edison A. Price, New York, N.Y.**

Primary Examiner—Susan J. Lucas
Attorney, Agent, or Firm—Darby & Darby

[73] Assignee: **Edison Price Incorporated, New York, N.Y.**

[57] **CLAIM**

[**] Term: **14 Years**

The ornamental design for a light fixture, as shown and described.

[21] Appl. No.: **496,499**

[22] Filed: **Mar. 20, 1990**

DESCRIPTION

[52] U.S. Cl. **D26/63**

FIG. 1 is a front elevational view of a light fixture, showing my new design, the rear elevational view being a mirror image thereof;

[58] Field of Search **D26/61, 63, 65; 362/147, 404, 267, 275, 285, 418, 419, 427, 362**

FIG. 2 is a right side elevational view thereof;

FIG. 3 is a left side elevational view thereof;

FIG. 4 is a bottom plan view thereof;

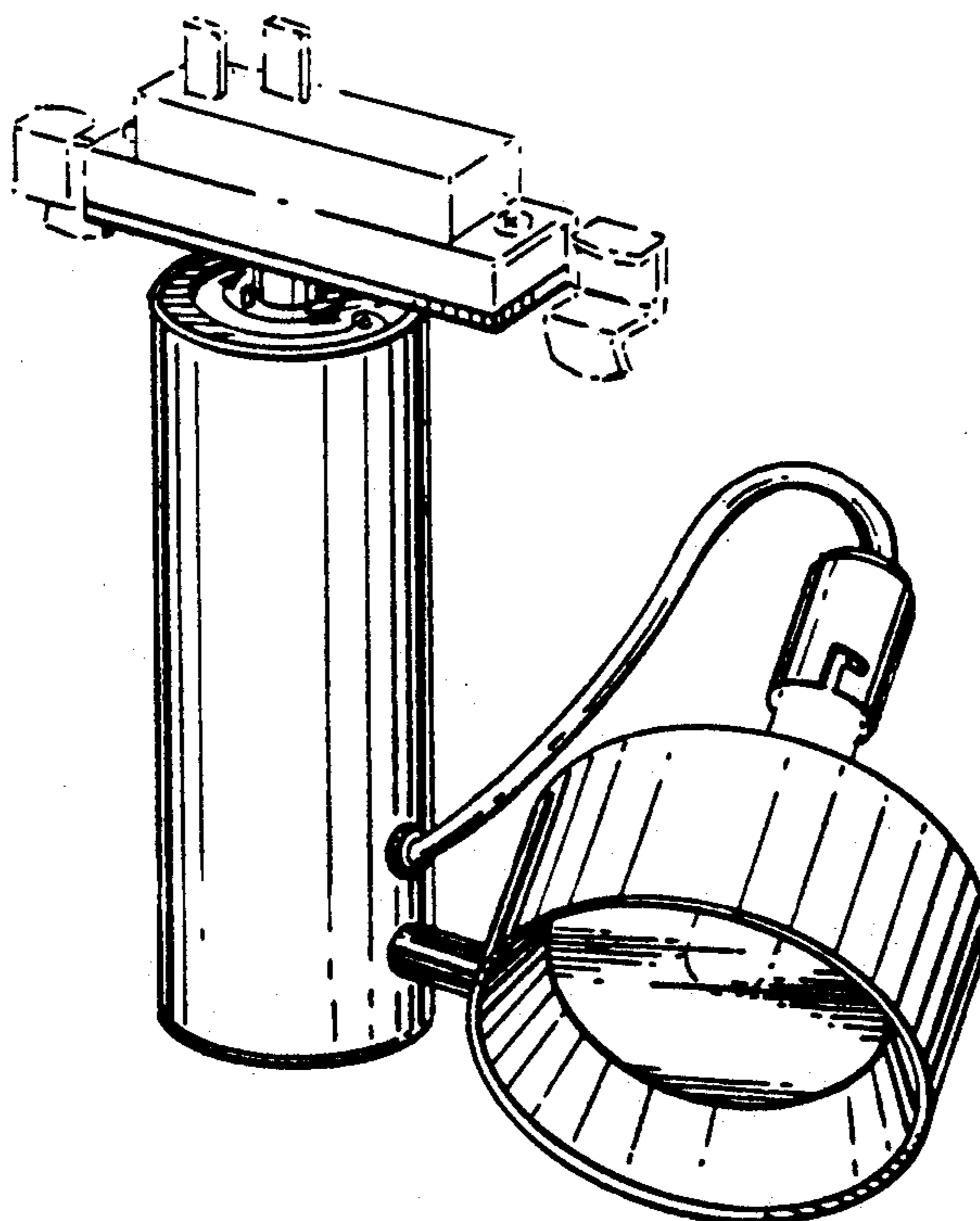
FIG. 5 is a top plan view thereof; and,

FIG. 6 is a perspective view thereof as seen from the right with the reflector portion partially rotated. The fixture connector and the reflector lamp are shown in broken line for illustrative purposes.

[56] **References Cited**

U.S. PATENT DOCUMENTS

- D. 318,740 7/1991 Layne D26/63
- 4,112,486 9/1978 Tovi 362/419
- 4,814,955 3/1989 Price 362/427 X



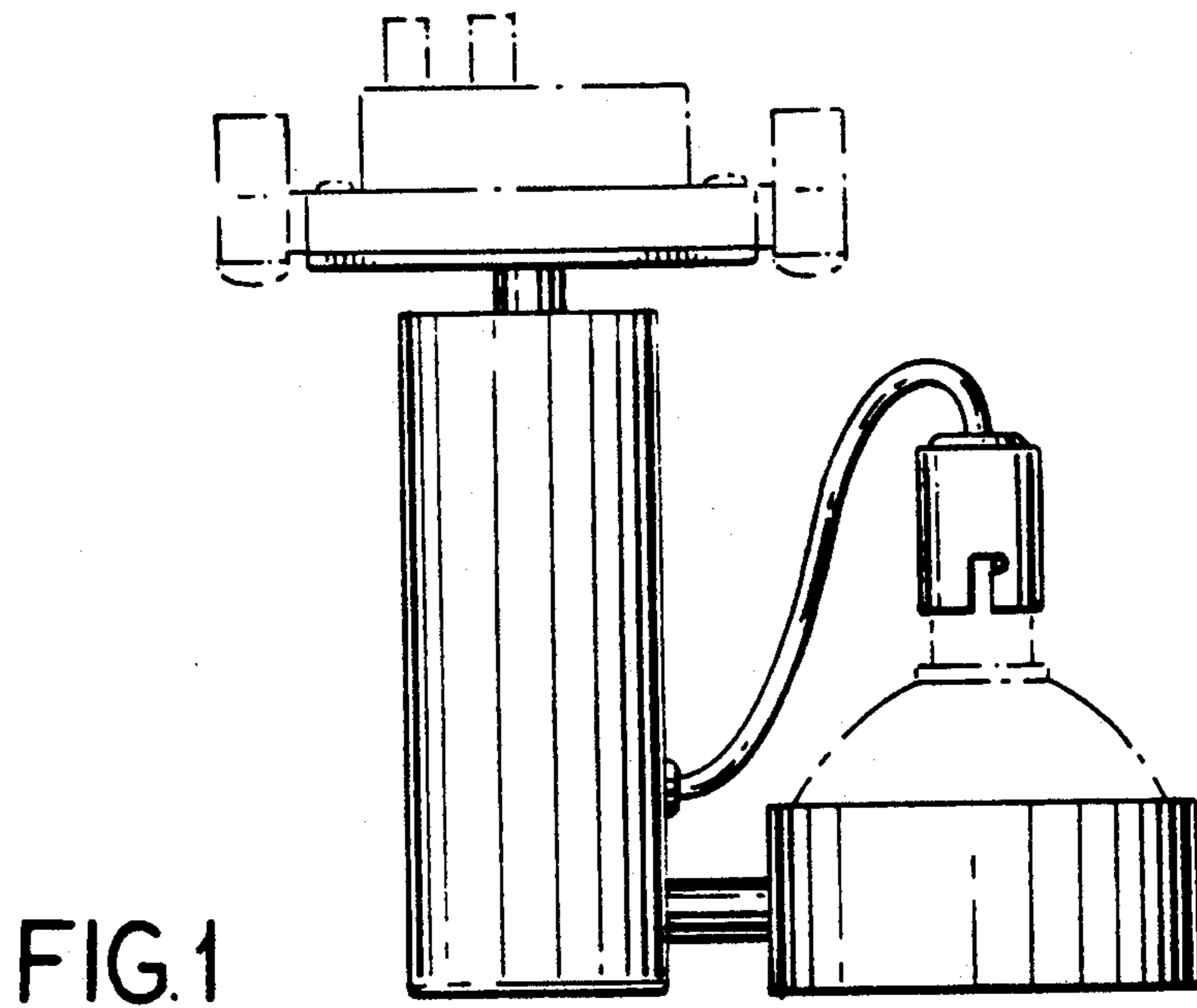


FIG. 1

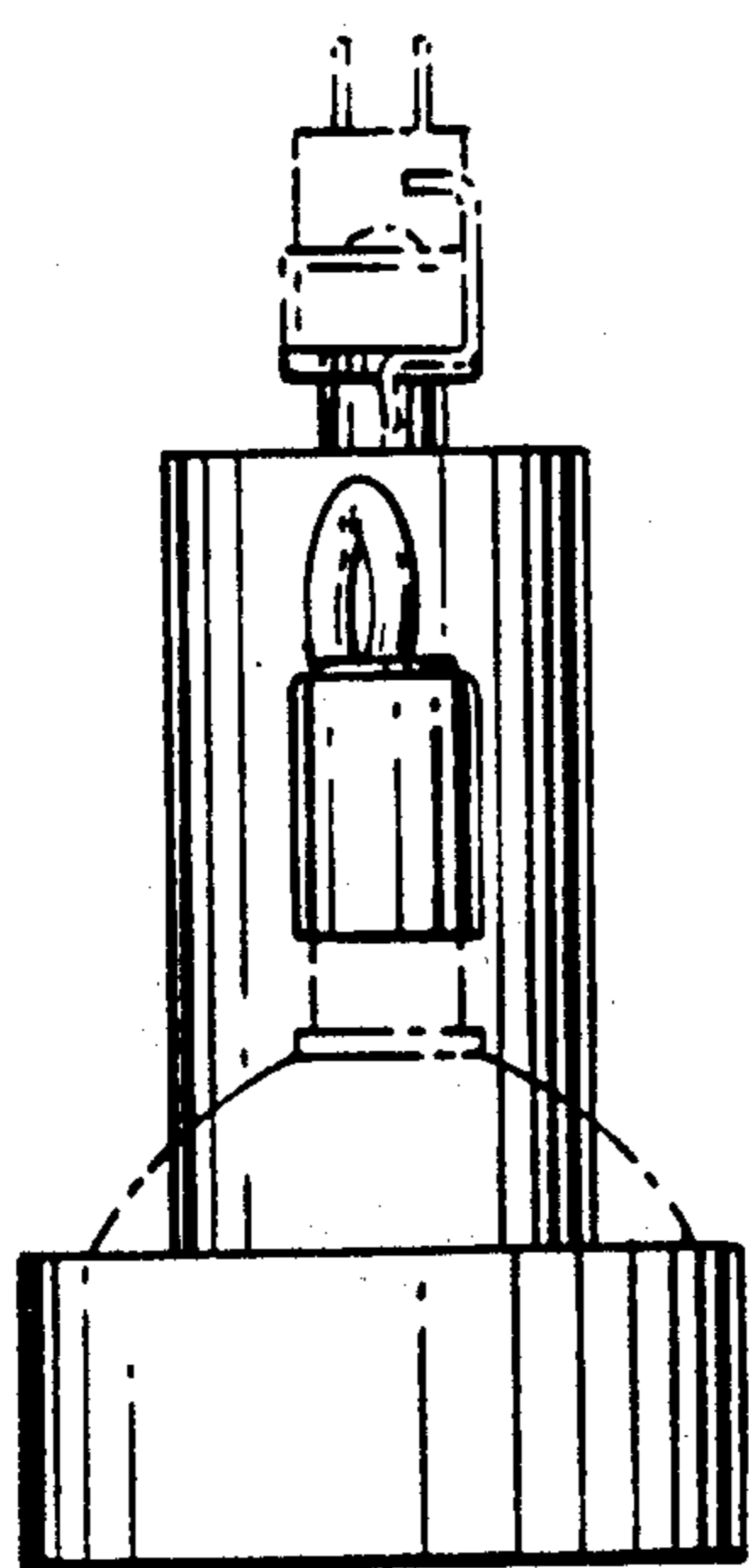


FIG. 2

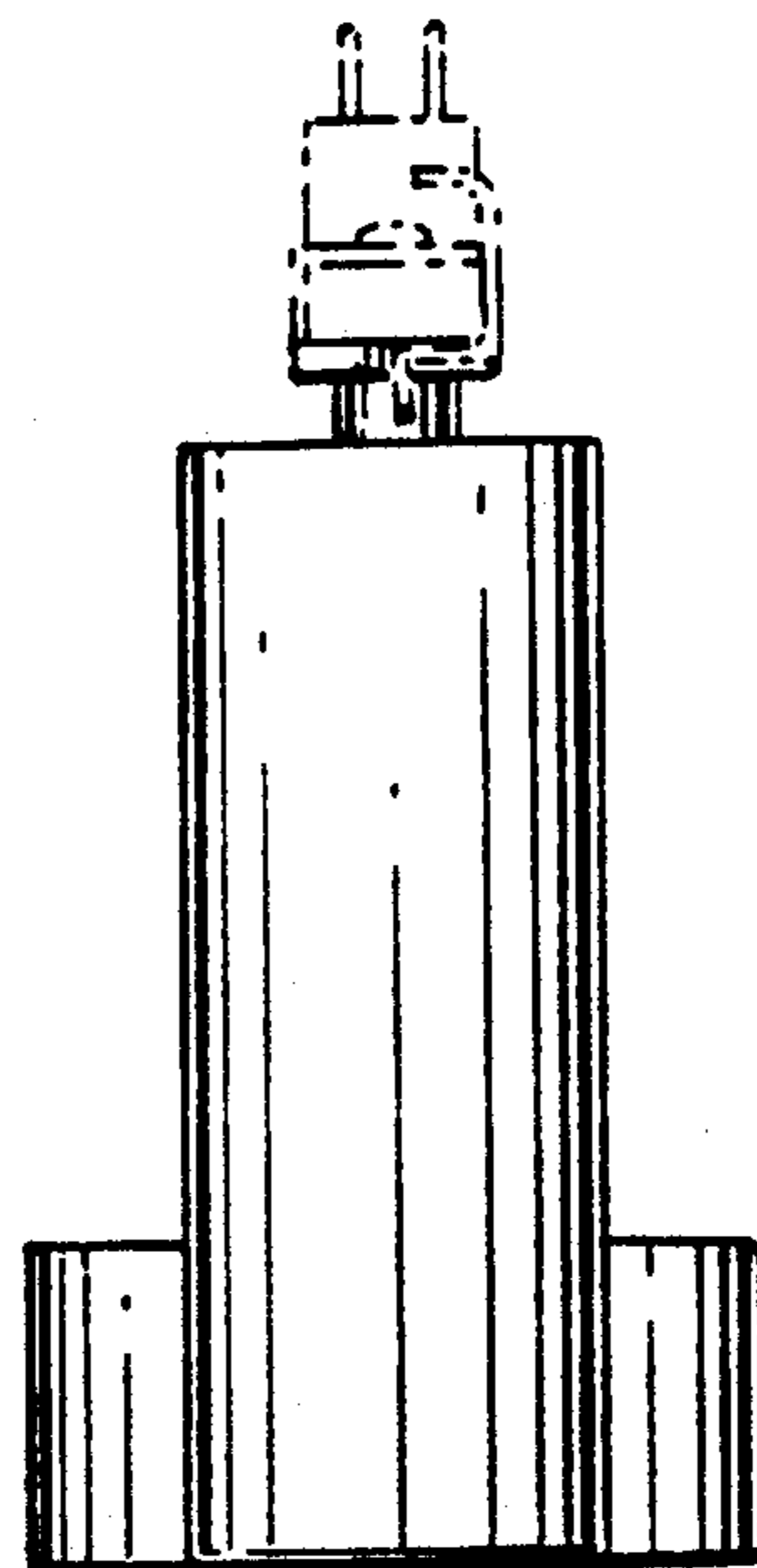


FIG. 3

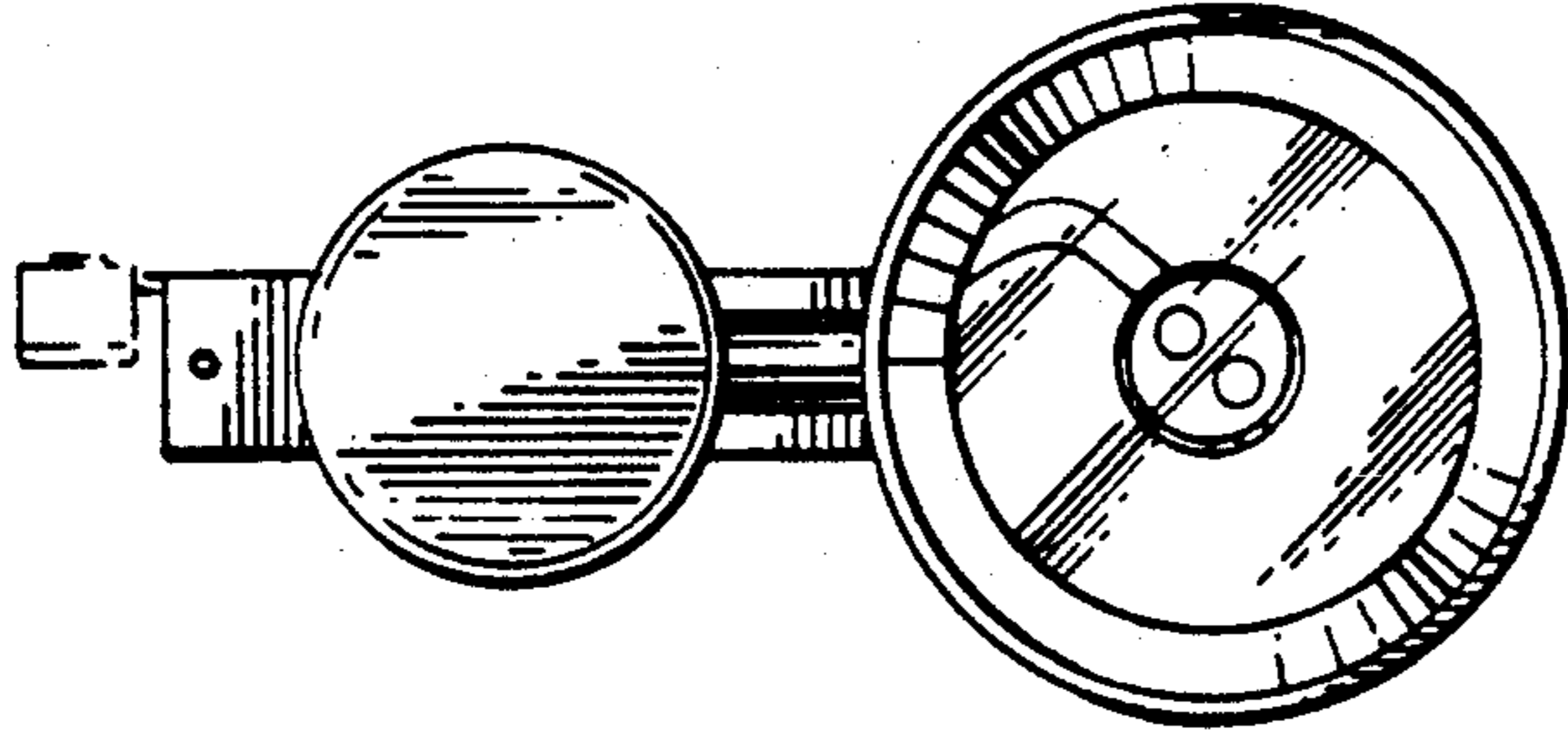


FIG. 4

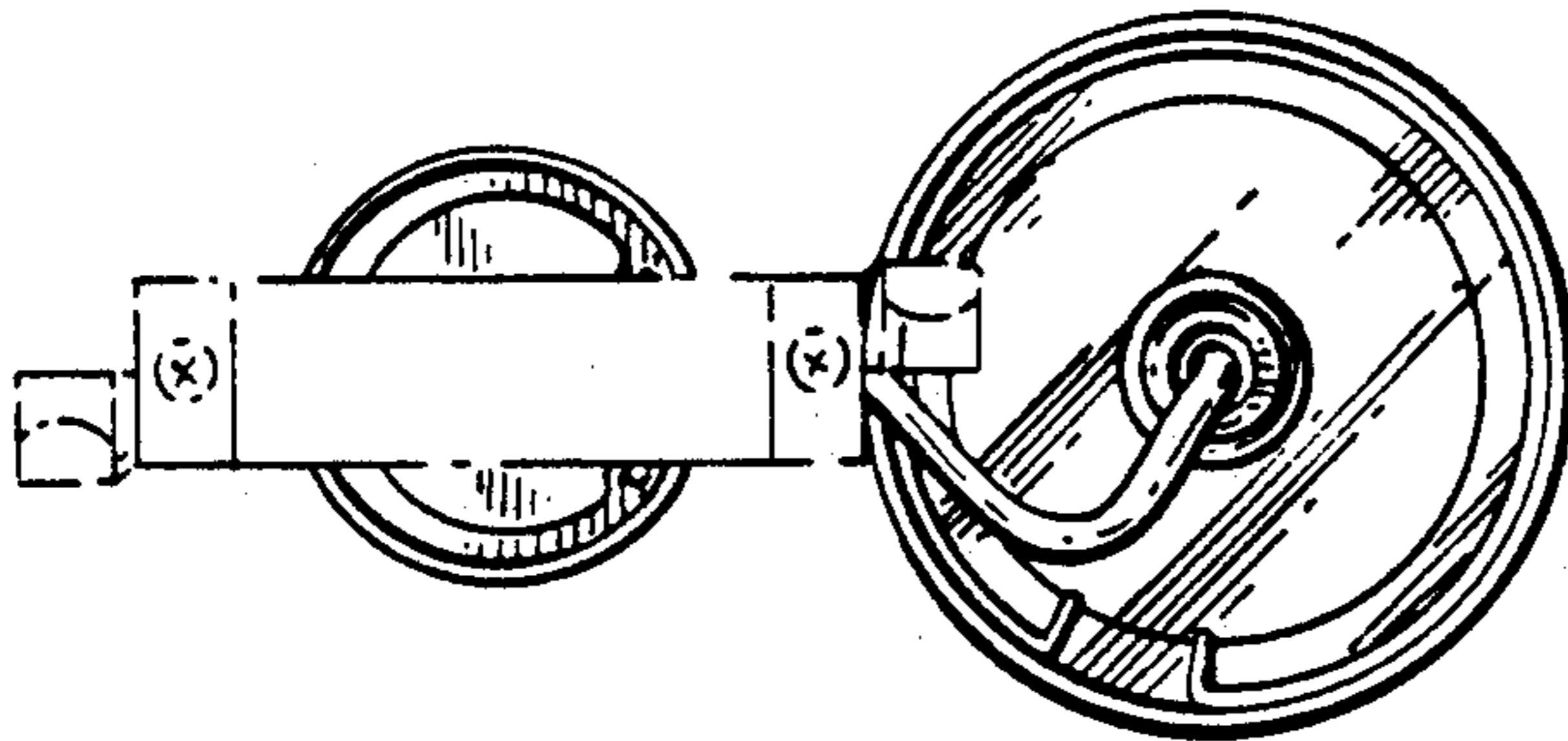


FIG. 5

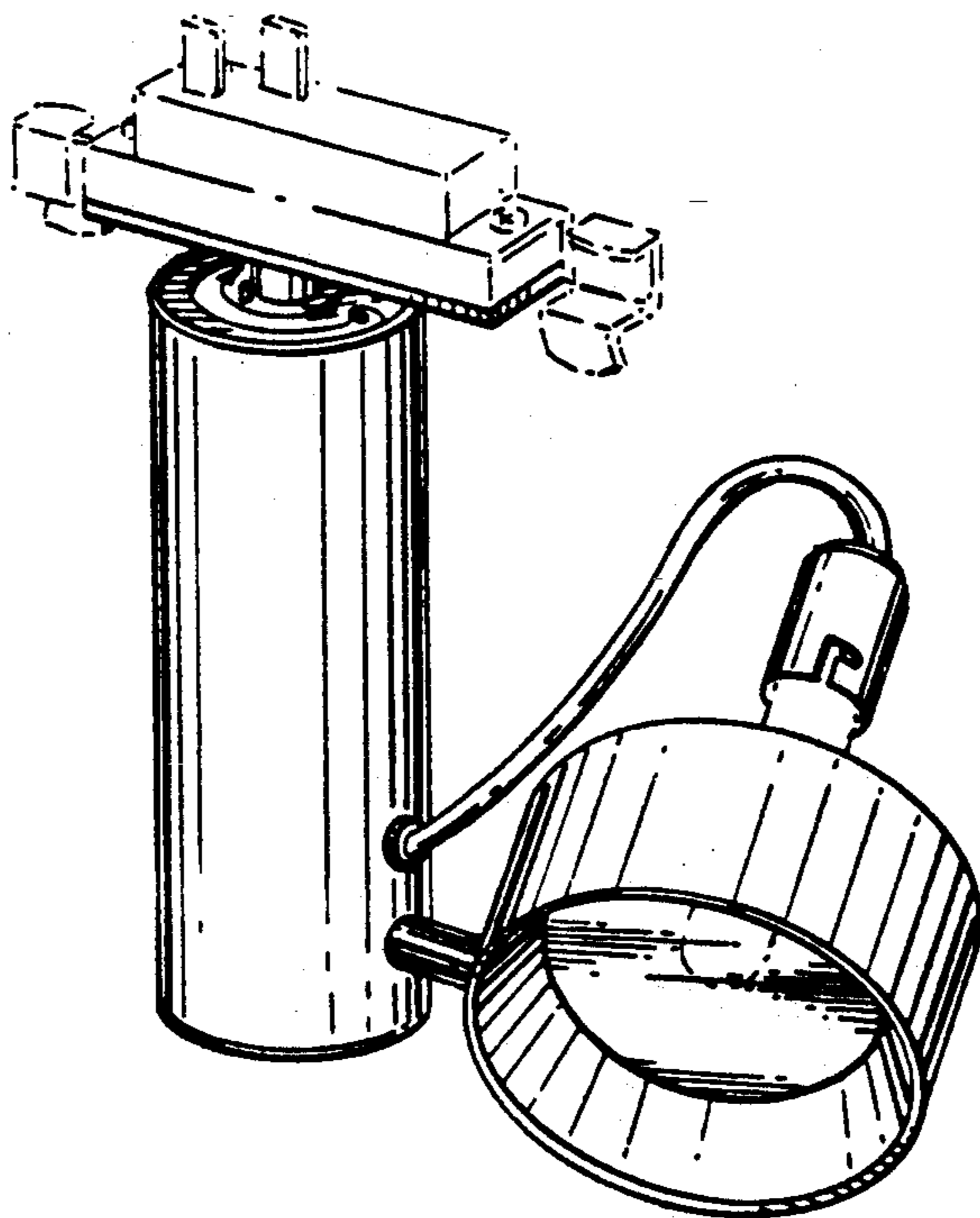


FIG. 6