



US00D326159S

# United States Patent [19]

Eickhoff

[11] Patent Number: **Des. 326,159**

[45] Date of Patent: **\*\* May 12, 1992**

[54] **STAIR STEP FOR A PLATFORM**

[75] Inventor: **Jon H. Eickhoff, Kalamazoo, Mich.**

[73] Assignee: **Ronningen Research & Development Company, Vicksburg, Mich.**

[\*\*] Term: **14 Years**

[21] Appl. No.: **446,916**

[22] Filed: **Dec. 6, 1989**

[52] U.S. Cl. .... **D25/69**

[58] Field of Search ..... **D25/62-66, D25/69, 127, 134; D6/349, 350, 353; 182/15, 17, 33, 178, 106, 179, 180, 222, 223; 52/182, 188**

[56] **References Cited**

**U.S. PATENT DOCUMENTS**

330,963 11/1885 Dennis ..... **D25/63**  
3,130,814 4/1964 Aquila ..... **182/15**

3,826,336 7/1974 Cramer ..... **182/15**  
4,034,829 7/1977 Hoffman ..... **182/106**  
4,753,320 6/1988 Walter ..... **182/33**

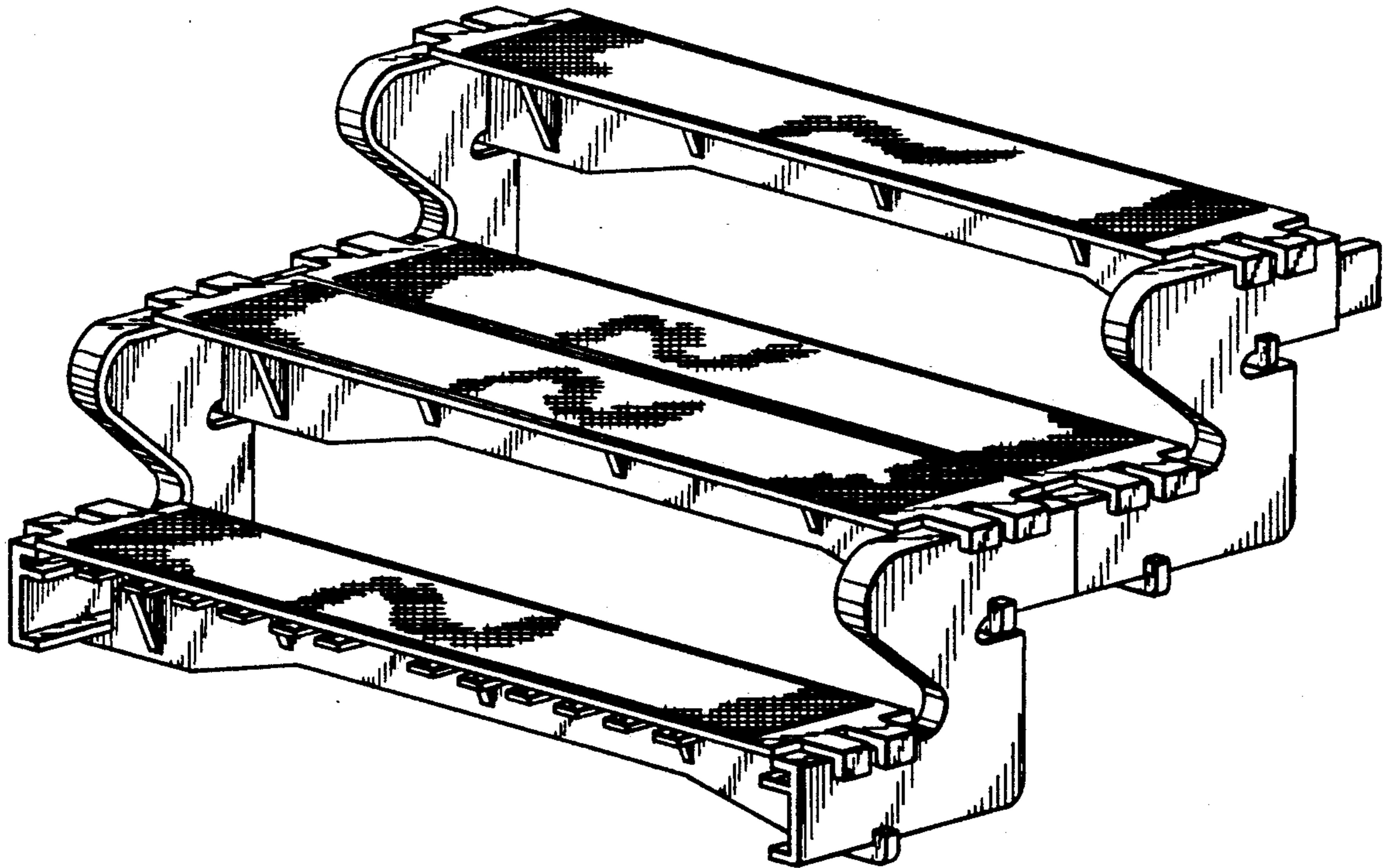
*Primary Examiner—A. Hugo Word*  
*Assistant Examiner—Doris Clark*  
*Attorney, Agent, or Firm—Flynn, Thiel, Boutell & Tanis*

[57] **CLAIM**

The ornamental design for a stair step for a platform, as shown and described.

**DESCRIPTION**

FIG. 1 is a front elevational view of a stair step for a platform showing my new design;  
FIG. 2 is a rear elevational view thereof;  
FIG. 3 is a right side elevational view, the left side being a mirror image thereof;  
FIG. 4 is a top plan view thereof;  
FIG. 5 is a bottom plan view thereof; and,  
FIG. 6 is a perspective view thereof.



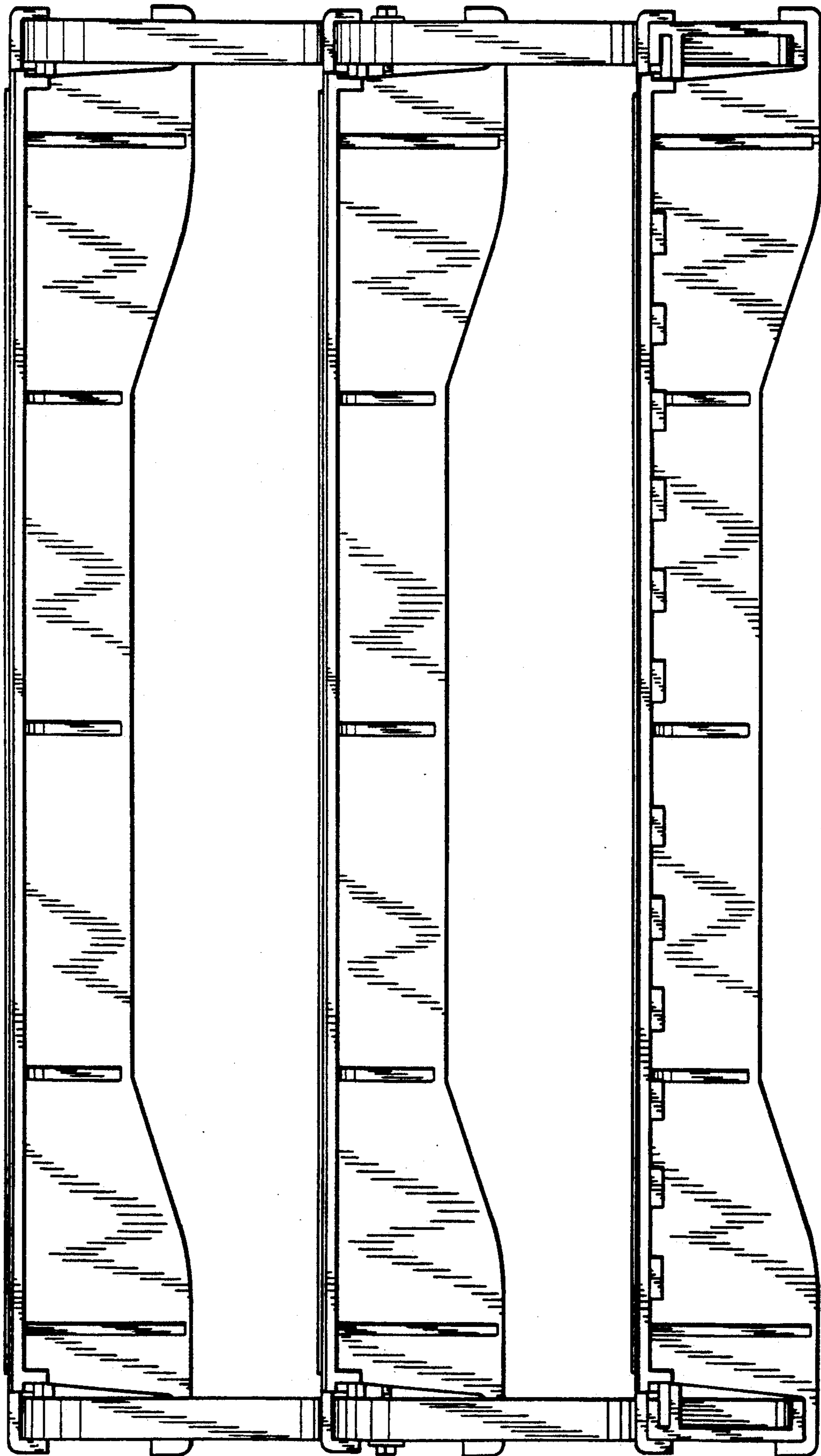


FIG. 1

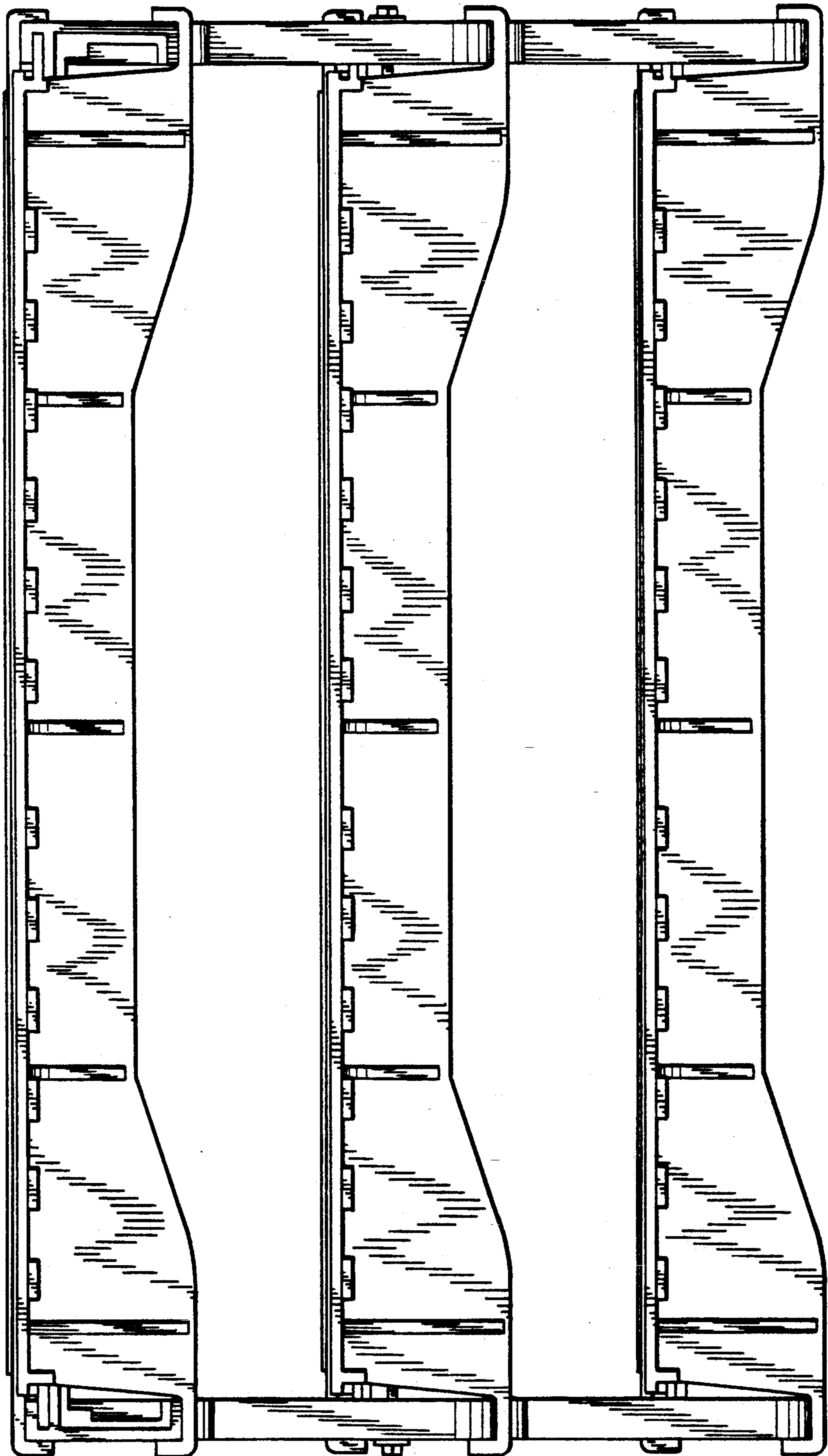
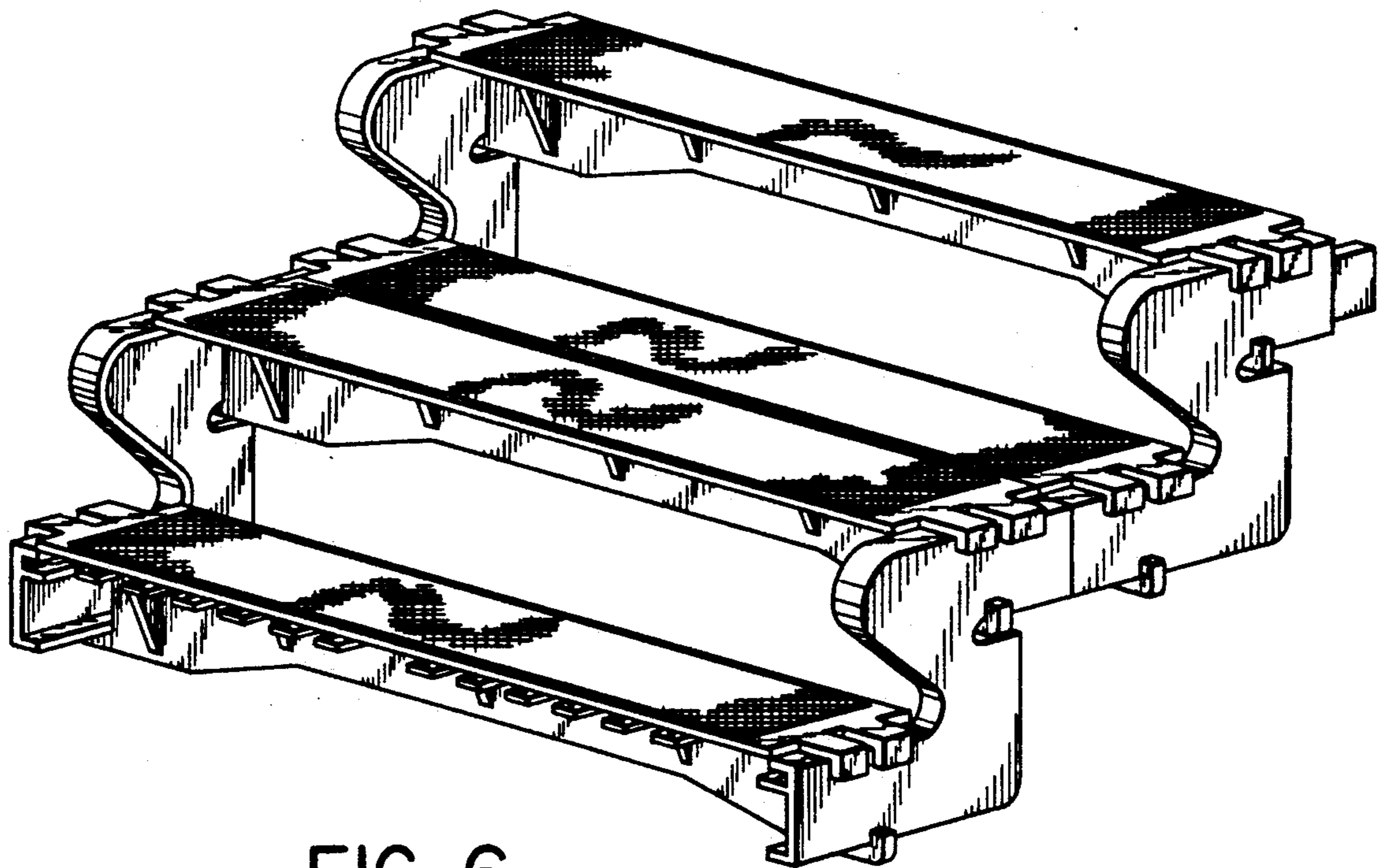
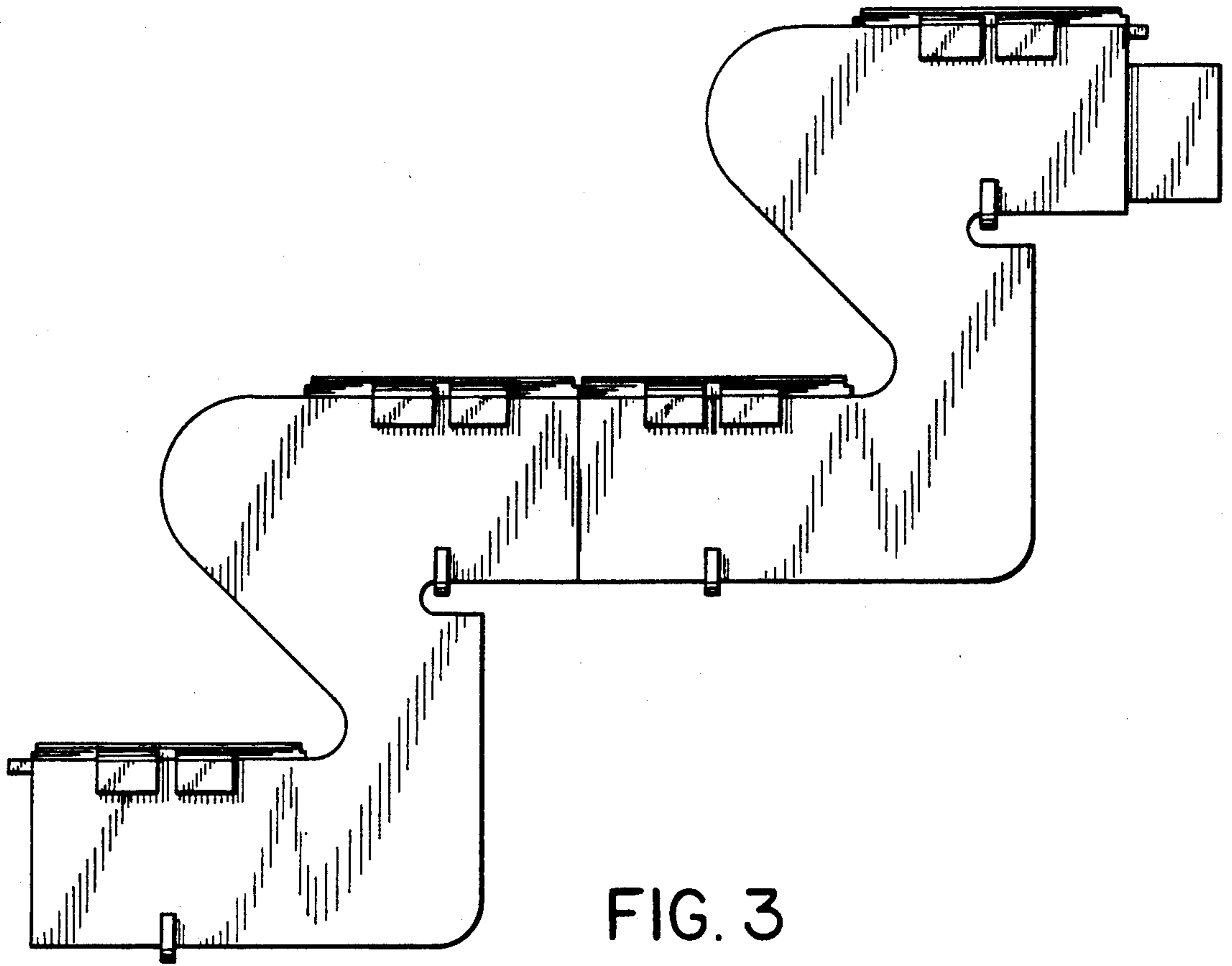


FIG. 2



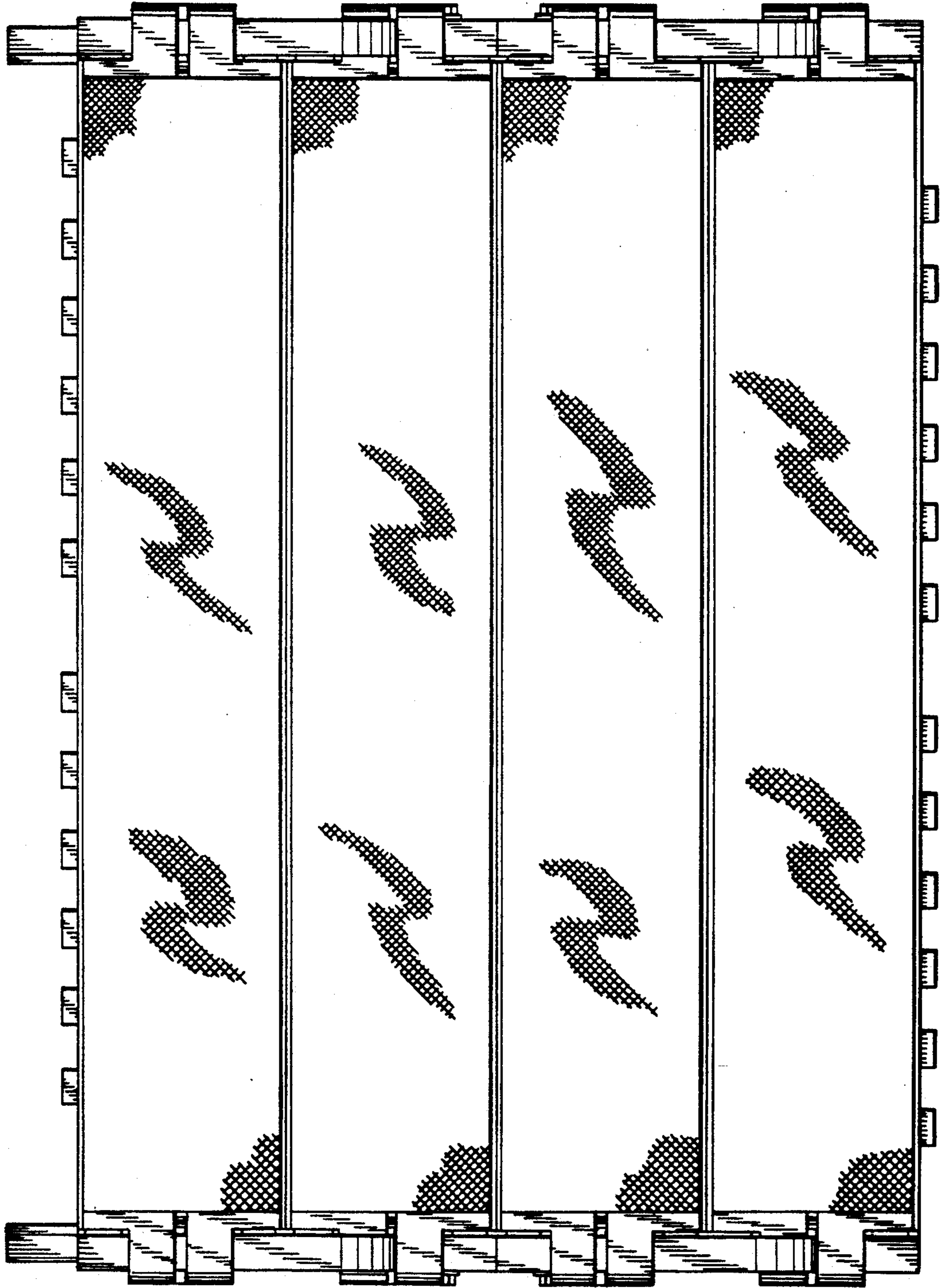


FIG. 4

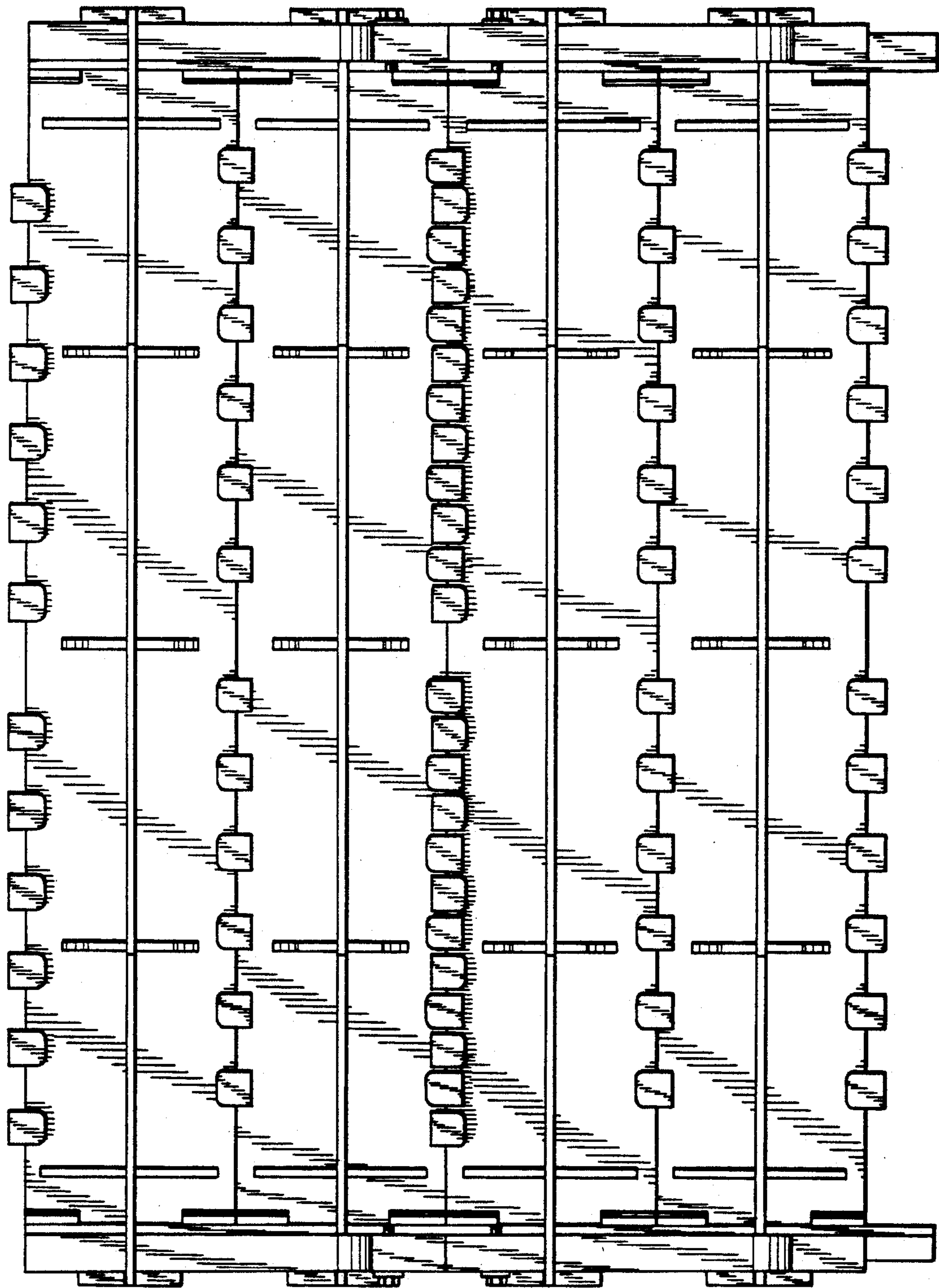


FIG. 5