



US00D326156S

United States Patent [19]

[11] Patent Number: **Des. 326,156**

Martinez

[45] Date of Patent: **** May 12, 1992**

[54] **KNEE JOINT FOR PROSTHETIC SYSTEM**

[75] Inventor: **David M. Martinez, Camarillo, Calif.**

[73] Assignee: **Techmedica, Inc., Carmarillo, Calif.**

[**] Term: **14 Years**

[21] Appl. No.: **255,425**

[22] Filed: **Oct. 11, 1988**

[52] U.S. Cl. **D24/155**

[58] Field of Search **D24/33; 623/20, 16**

4,944,756 7/1990 Kenna 623/20
 4,950,298 8/1990 Gustilo et al. 623/20

Primary Examiner—Stella Reid
Attorney, Agent, or Firm—Cislo & Thomas

[57] CLAIM

The ornamental design for a knee joint for prosthetic system, as shown and described.

DESCRIPTION

FIG. 1 is a perspective view of a knee joint for prosthetic system, showing my new design;
 FIG. 2 is a right side elevational view thereof, the left side elevational view being identical thereto;
 FIG. 3 is a front elevational view thereof;
 FIG. 4 is a rear elevational view thereof;
 FIG. 5 is a top plan view thereof; and,
 FIG. 6 is a bottom plan view thereof.

[56] References Cited

U.S. PATENT DOCUMENTS

4,257,129 3/1981 Volz 623/20
 4,822,362 4/1989 Walker et al. 623/20
 4,888,021 12/1989 Forte et al. 623/20

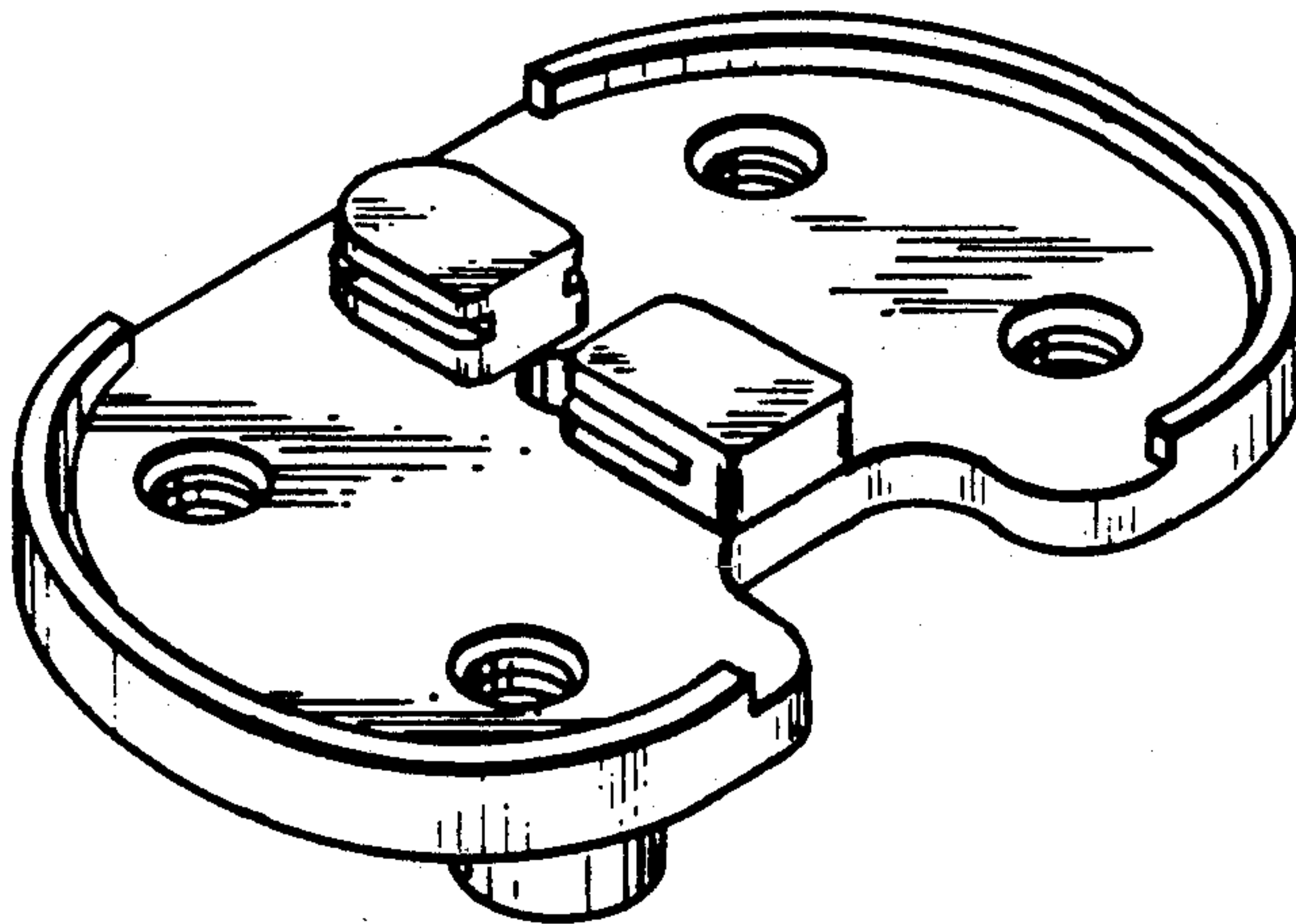


Fig. 1.

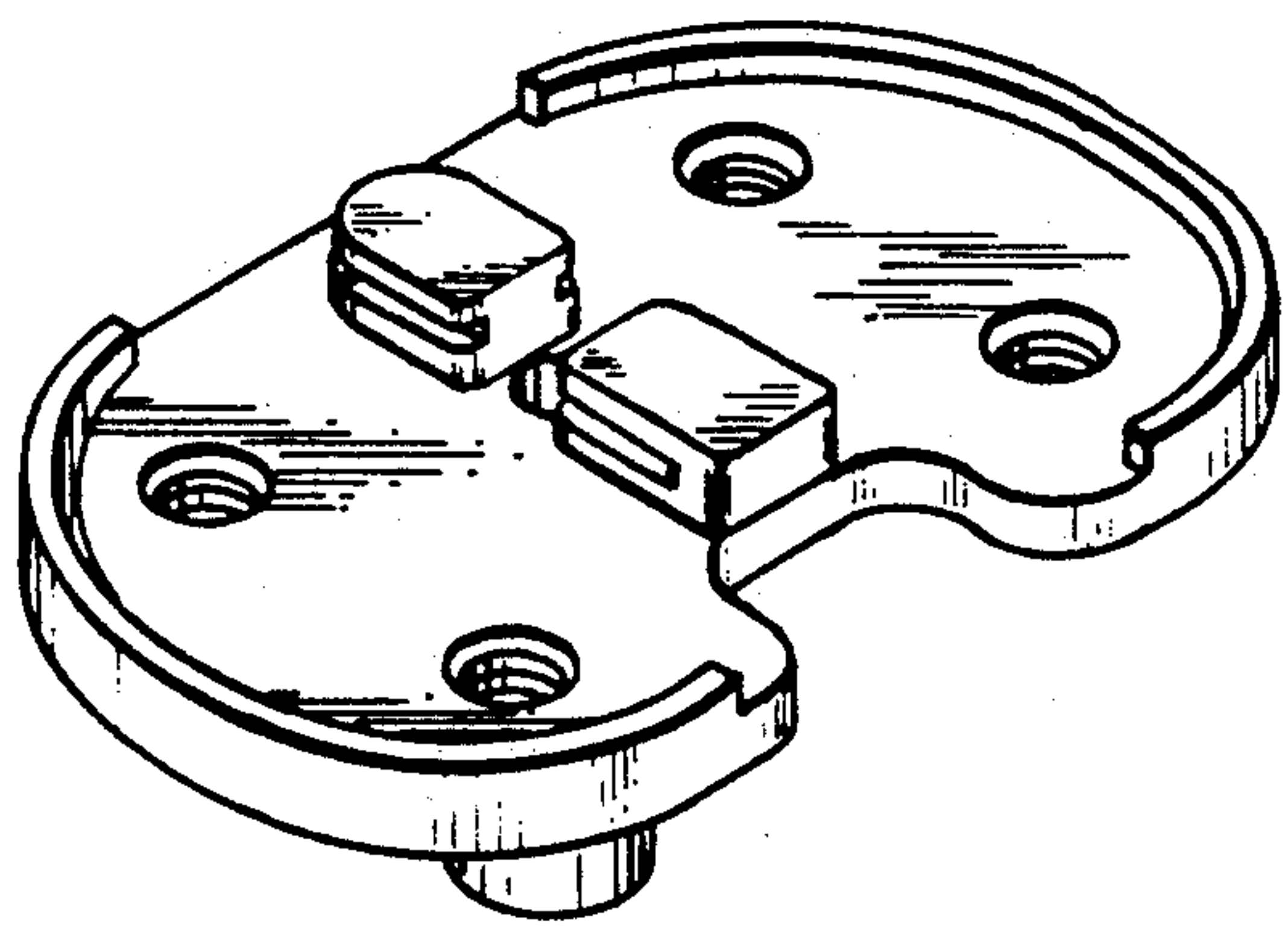


Fig. 2.

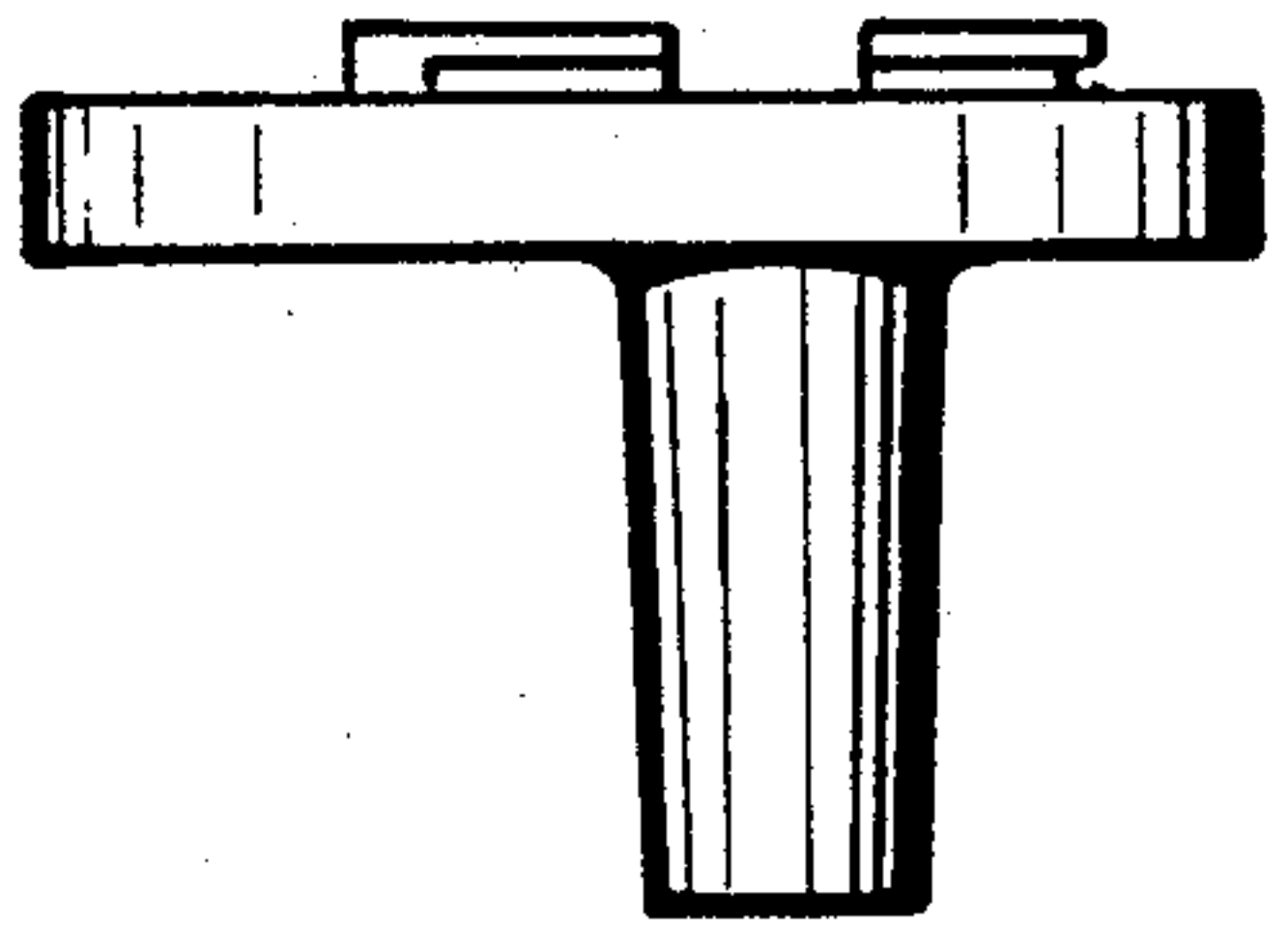


Fig. 3.

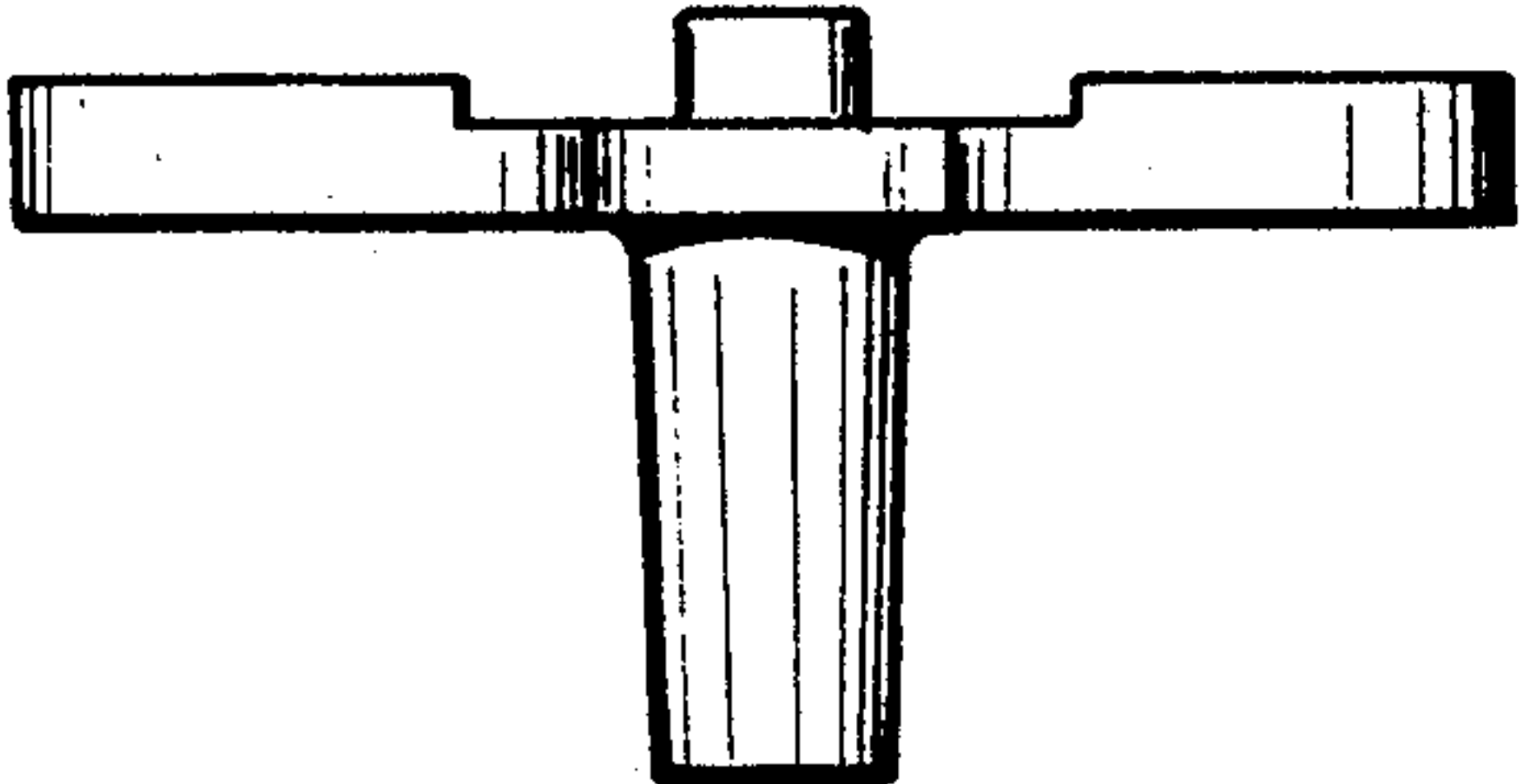


Fig. 4.

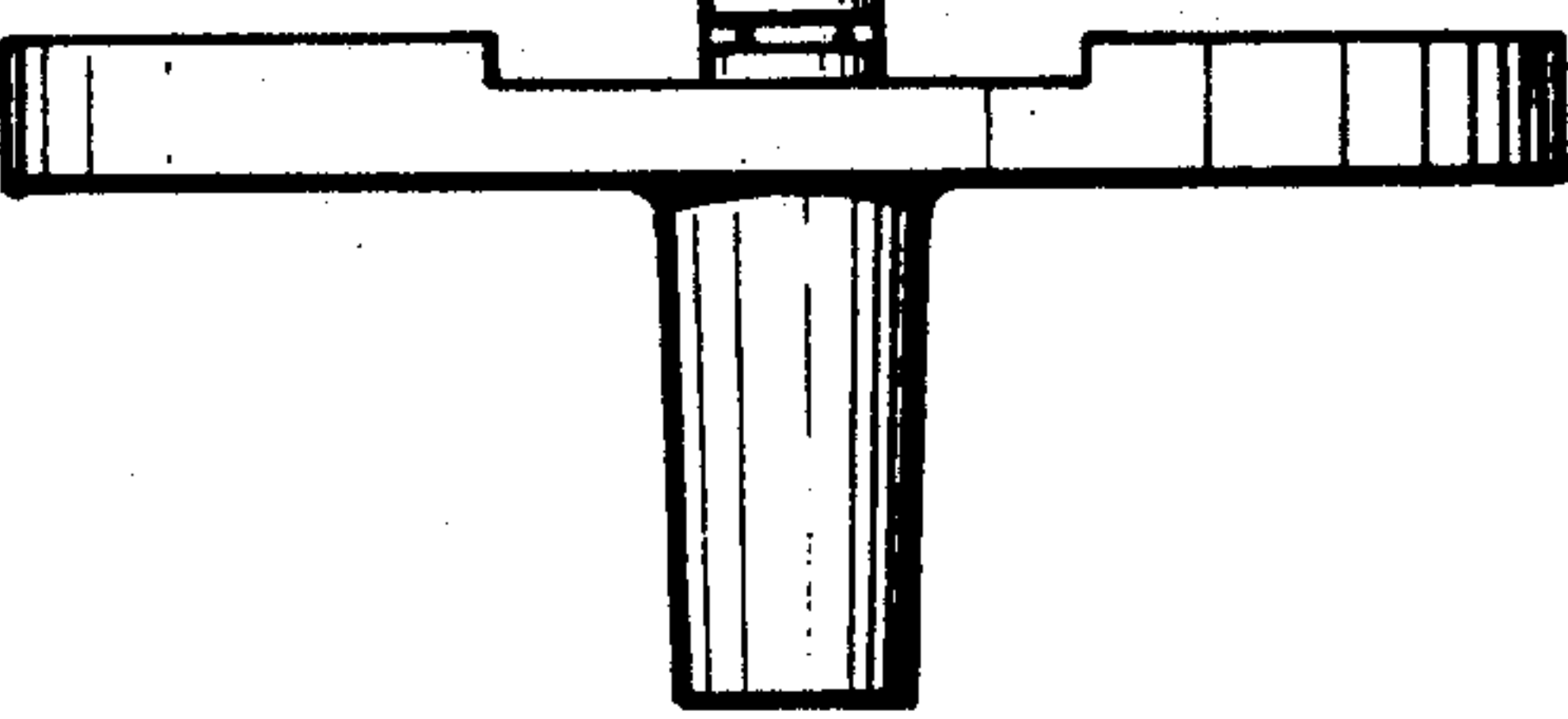


Fig. 5.

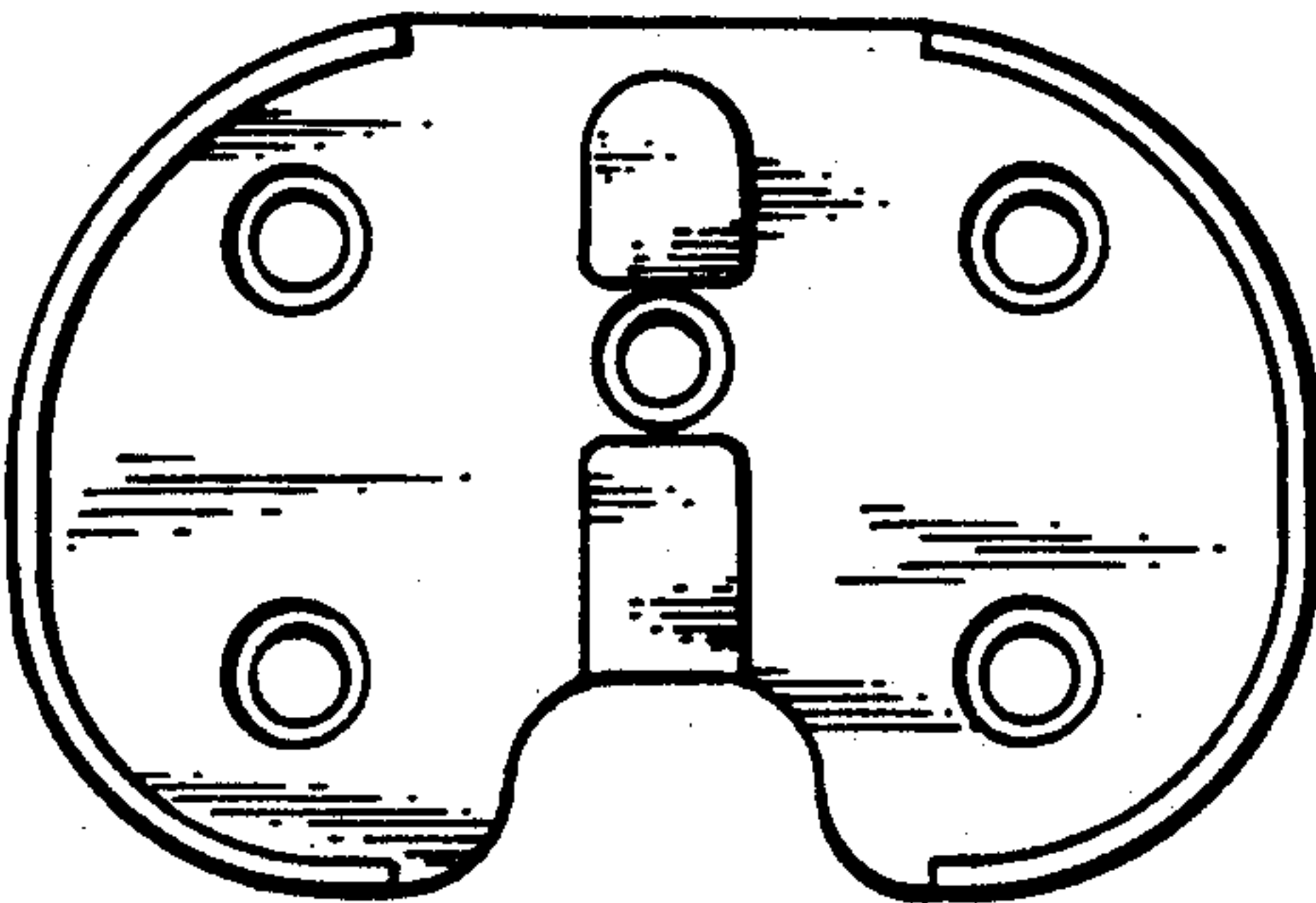


Fig. 6.

