



US00D326154S

United States Patent [19]

[11] Patent Number: **Des. 326,154**

Deguchi et al.

[45] Date of Patent: **** May 12, 1992**

[54] **INTRA-VASCULAR CATHETER ASSEMBLY**

4,314,555	2/1982	Sagae	604/167 X
4,964,854	10/1990	Luther	604/263 X
5,013,304	5/1991	Russell et al.	604/164 X

[75] Inventors: **Hiromi Deguchi, Fujinomiya; Masashi Yoshikawa, Tokyo, both of Japan**

Primary Examiner—Stella Reid
Attorney, Agent, or Firm—Frishauf, Holtz, Goodman & Woodward

[73] Assignee: **Terumo Kabushiki Kaisha, Tokyo, Japan**

[**] Term: **14 Years**

[57] **CLAIM**

The ornamental design for an intra-vascular catheter assembly, as shown and described.

[21] Appl. No.: **457,546**

DESCRIPTION

[22] Filed: **Dec. 27, 1989**

[30] **Foreign Application Priority Data**

Jul. 4, 1989 [JP] Japan 1-24497

[52] U.S. Cl. **D24/112**

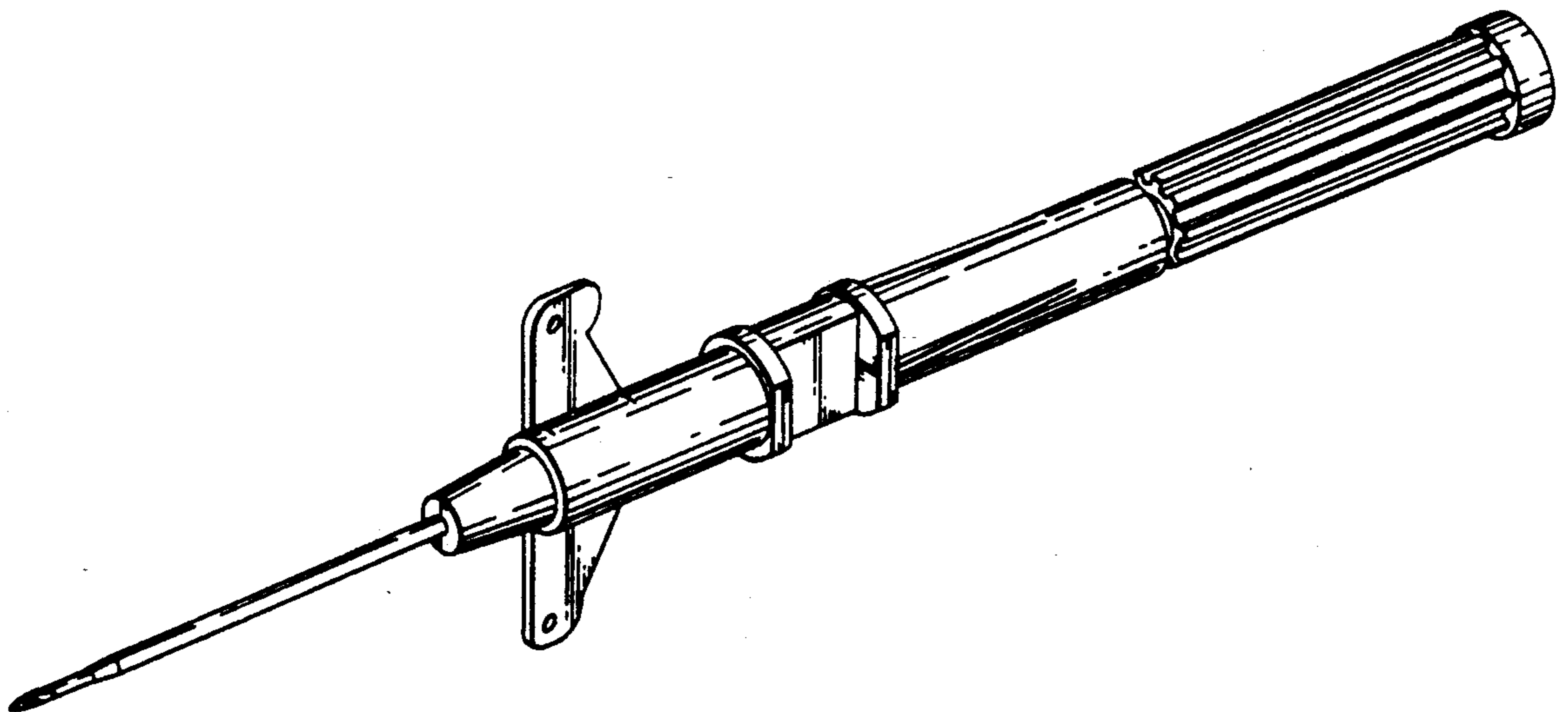
[58] Field of Search D24/112, 113, 114;
604/167, 168, 166, 164, 263

FIG. 1 is a perspective view of an intra-vascular catheter assembly showing our new design; FIG. 2 is a front elevational view thereof; FIG. 3 is a rear elevational view thereof; FIG. 4 is a top plan view thereof, the bottom plan view being a mirror image; FIG. 5 is a left side elevational view thereof; FIG. 6 is a right side elevational view thereof; FIG. 7 is a cross-sectional view thereof taken along the line VII—VII in FIG. 2; and, FIG. 8 is a cross-sectional view thereof taken along the line VIII—VIII in FIG. 2.

[56] **References Cited**

U.S. PATENT DOCUMENTS

D. 245,451 8/1977 Wortley D24/112
3,612,050 10/1971 Sheridan 604/166



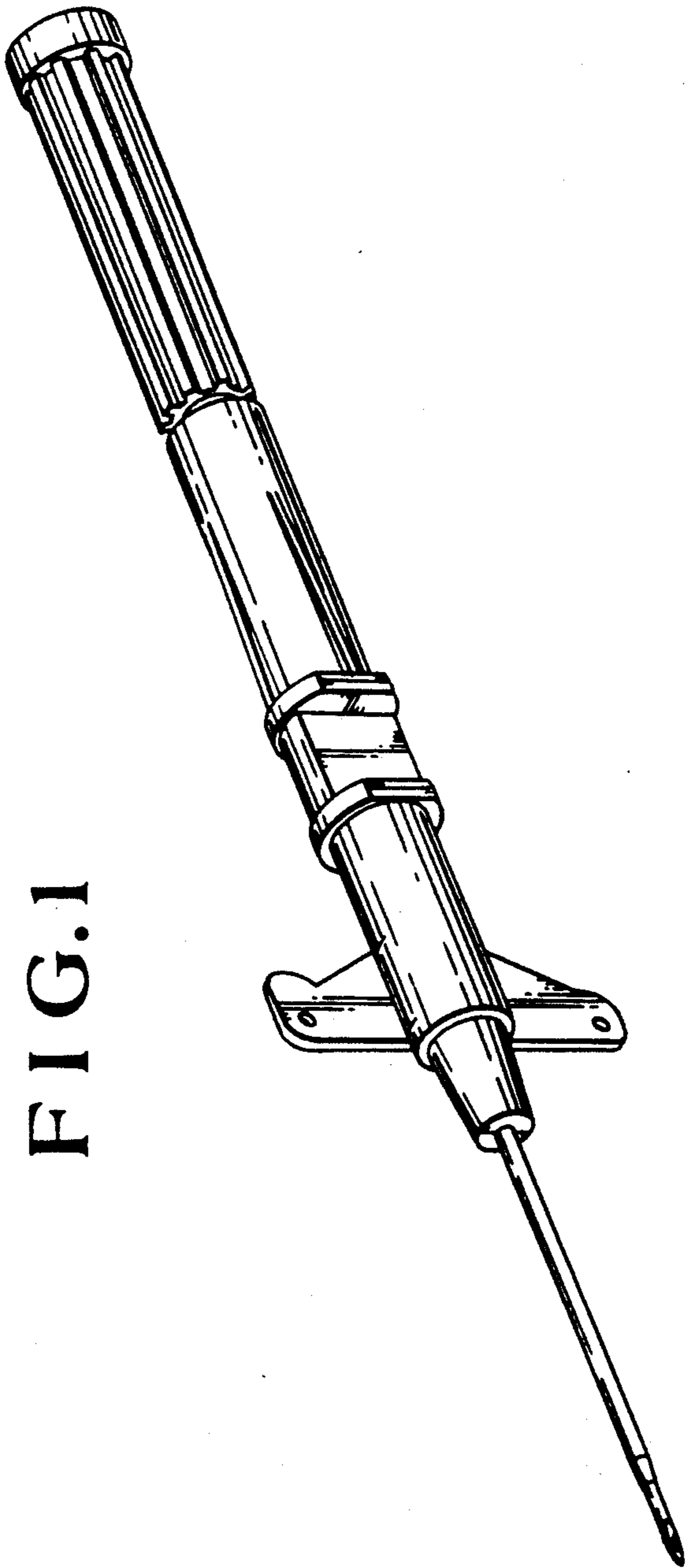


FIG. 1

FIG. 2

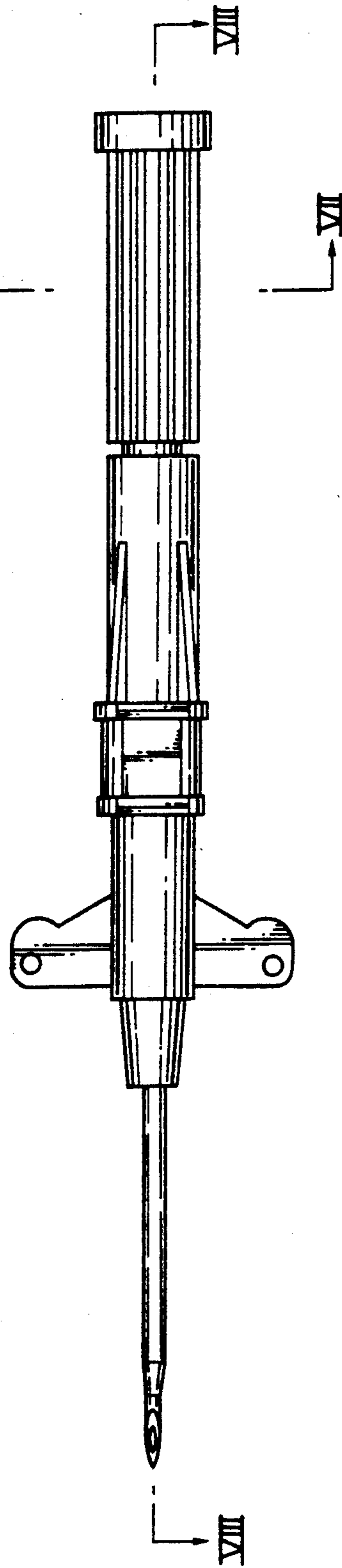


FIG.3

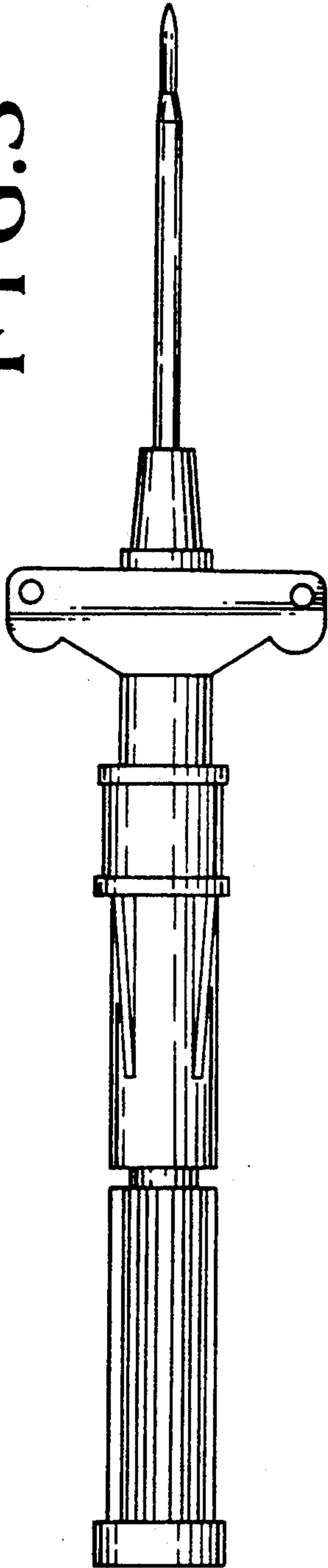


FIG.4

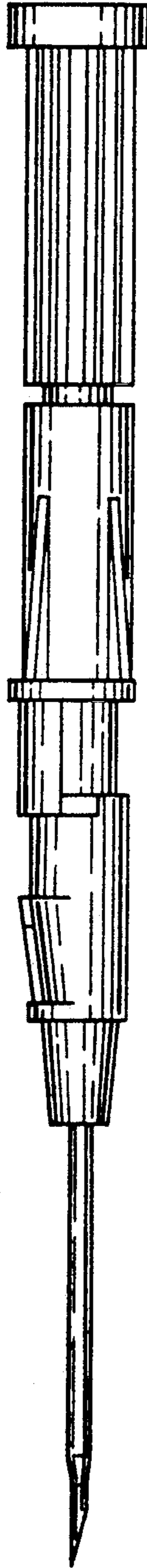


FIG.5

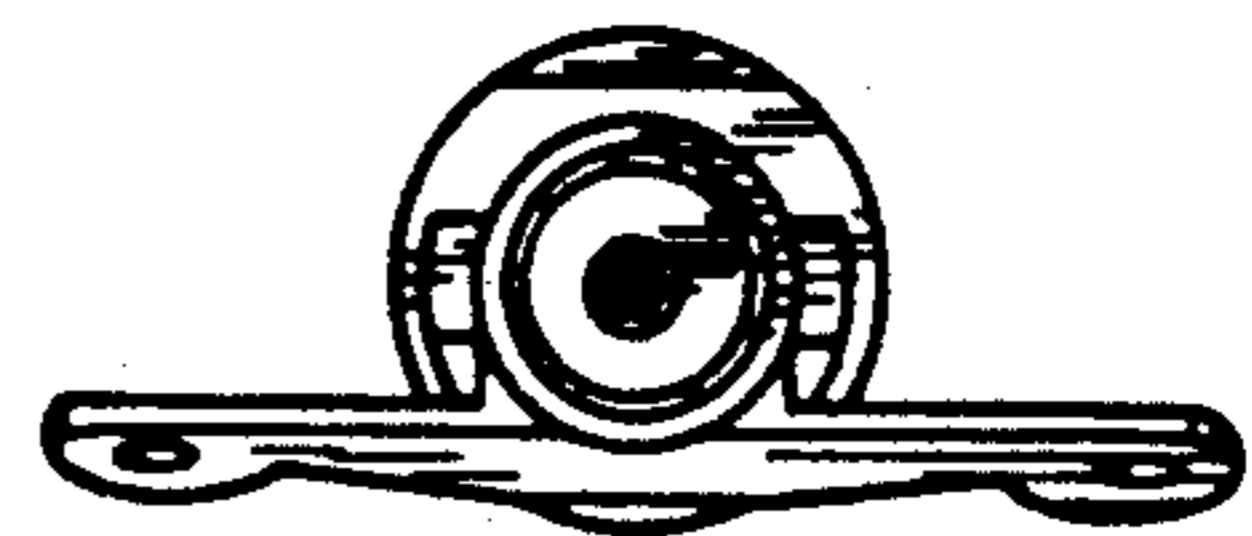


FIG.6

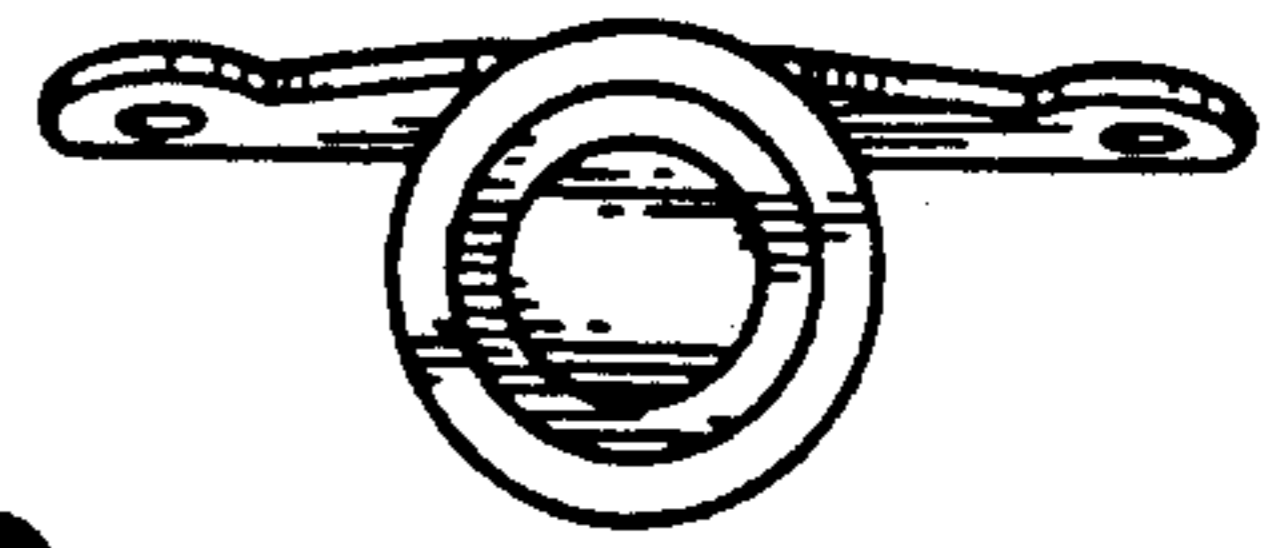


FIG.7

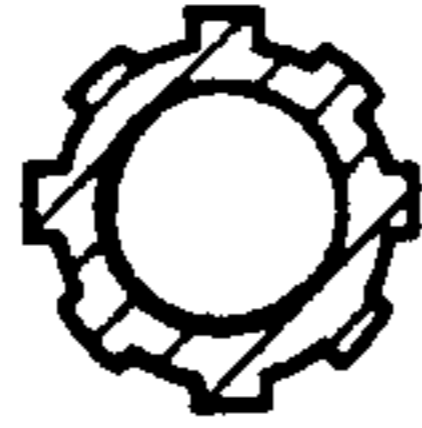


FIG.8

