



US00D326153S

United States Patent [19]

[11] Patent Number: **Des. 326,153**

Eastman et al.

[45] Date of Patent: **** May 12, 1992**

[54] **HOUSING FOR AN AMBULATORY INFUSION PUMP**

[75] Inventors: **William J. Eastman, St. Louis Park; Samuel K. Yue, Bloomington, both of Minn.**

[73] Assignee: **PMT Corporation, Chanhassen, Minn.**

[**] Term: **14 Years**

[21] Appl. No.: **435,784**

[22] Filed: **Nov. 13, 1989**

[52] U.S. Cl. **D24/111; D3/52; D3/78**

[58] Field of Search **D24/111; 190/115; 150/157, 120, 161, 165, 112, 123; 206/438; 604/131, 151; D3/39, 51, 78, 30.1, 52, 79**

[56] **References Cited**

U.S. PATENT DOCUMENTS

D. 234,164	1/1975	Swayze	D3/78 X
D. 285,347	8/1986	Nelson et al.	D24/111
D. 305,798	1/1990	Say	D24/111

D. 311,071	10/1990	Vanoncini	D3/39 X
1,947,718	2/1934	Labadie et al.	190/115
2,009,077	7/1935	Walitzky	150/112
4,529,401	7/1985	Leslie et al.	604/131
4,557,725	10/1985	Heyne et al.	604/151 X
4,796,790	1/1989	Hamilton	206/438 X
4,844,293	7/1989	McLaughlin	206/438 X
4,943,279	7/1990	Samiotes et al.	604/151

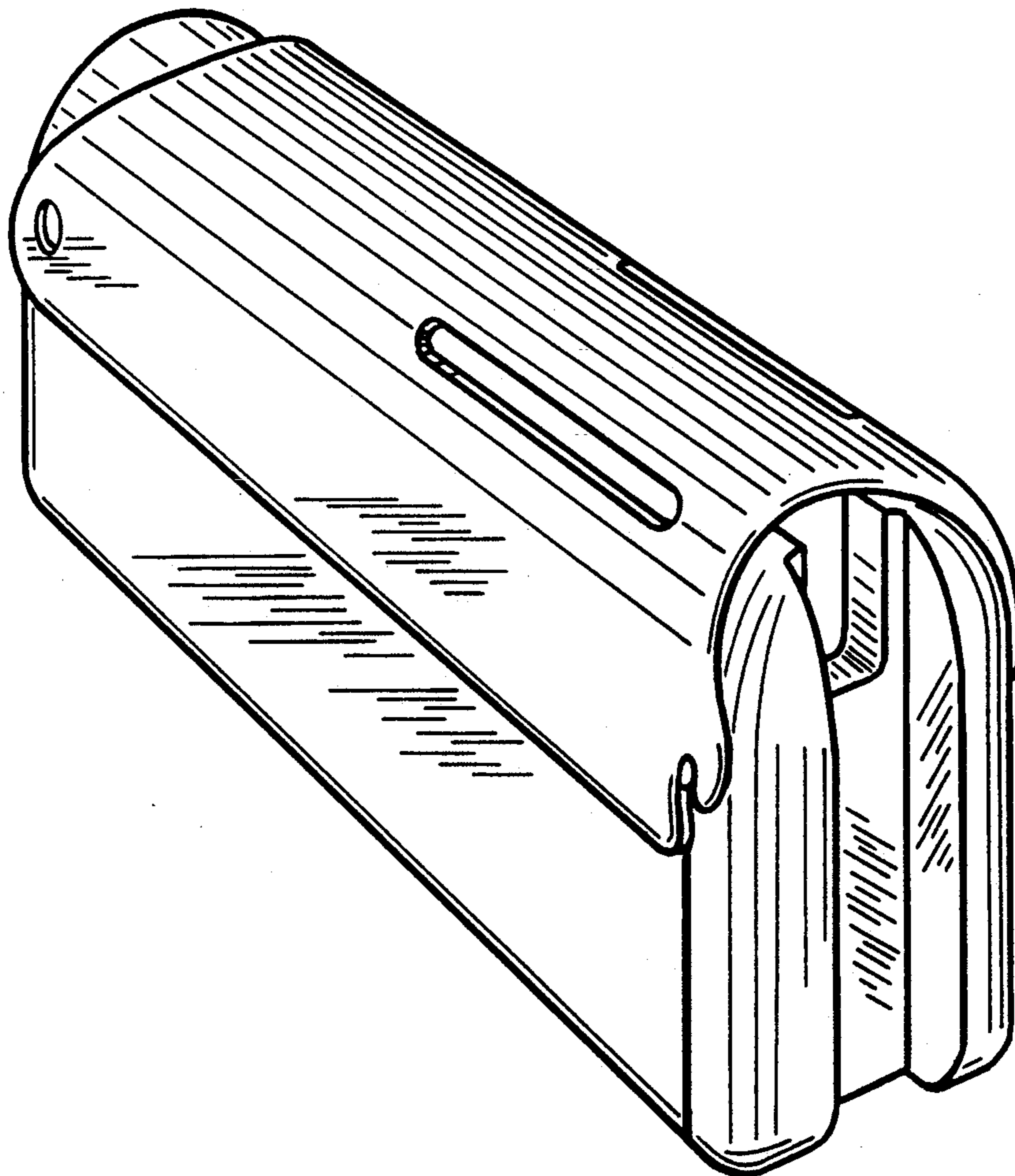
Primary Examiner—Donald P. Walsh
Assistant Examiner—M. N. Pandozzi
Attorney, Agent, or Firm—Harold D. Jastram

[57] **CLAIM**

The ornamental design for an housing for an ambulatory infusion pump, as shown.

DESCRIPTION

FIG. 1 is a perspective view of a housing for an ambulatory infusion pump showing our new design; FIG. 2 is a front elevational view thereof; FIG. 3 is a rear elevational view thereof; FIG. 4 is a top plan view thereof; FIG. 5 is a bottom plan view thereof; FIG. 6 is a left side elevational view thereof; and, FIG. 7 is a right side elevational view thereof.



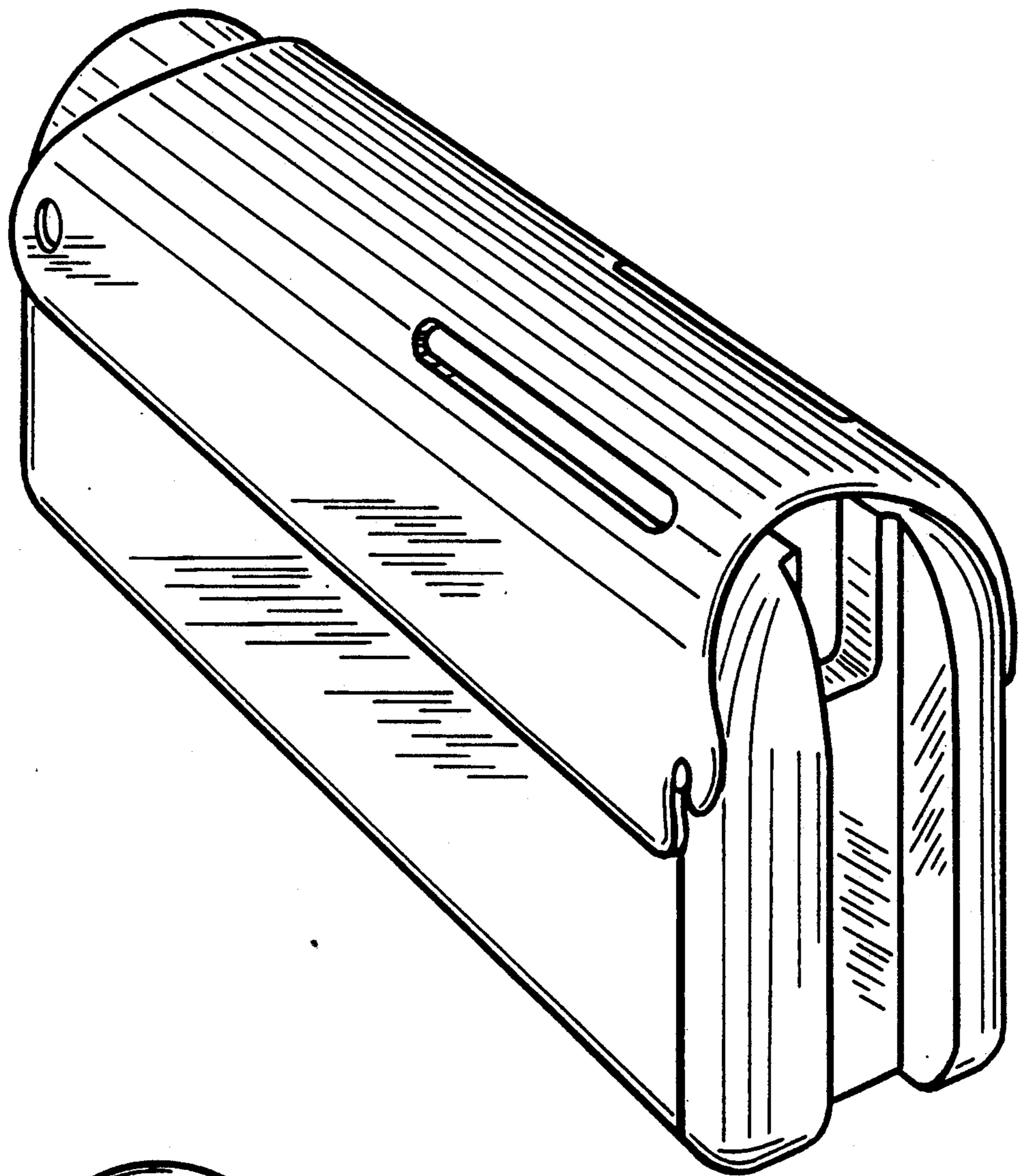


FIG. 1

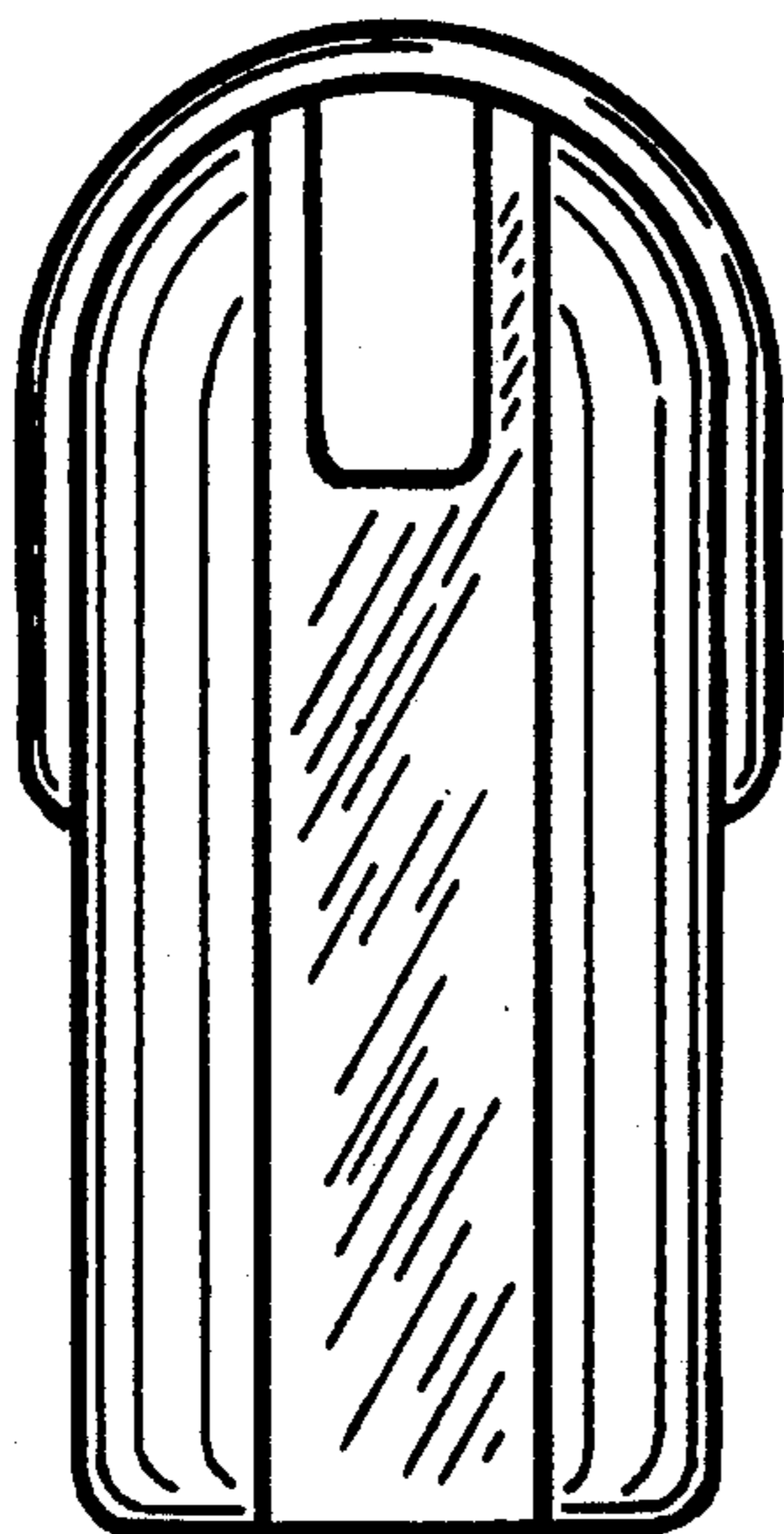


FIG. 2

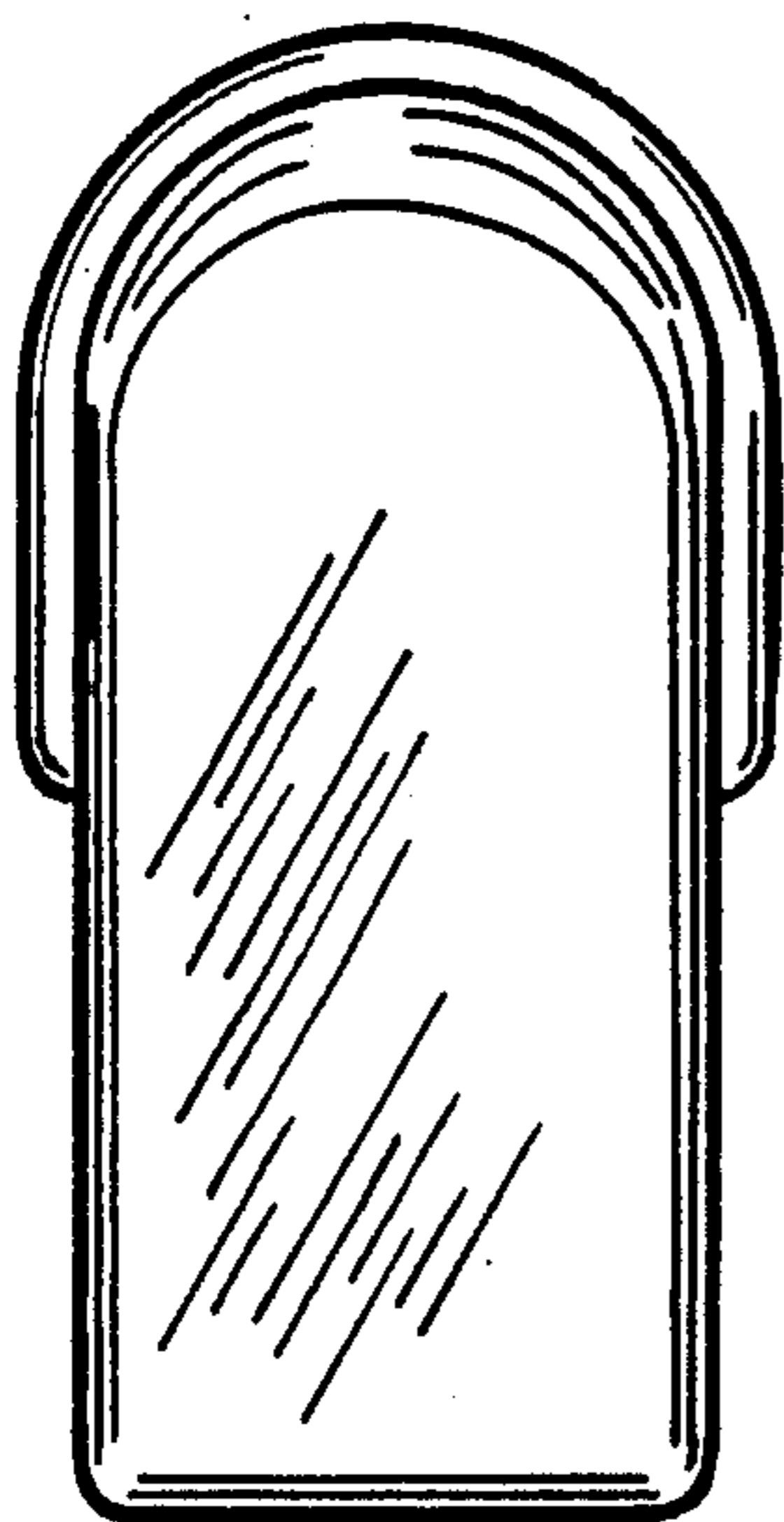


FIG. 3

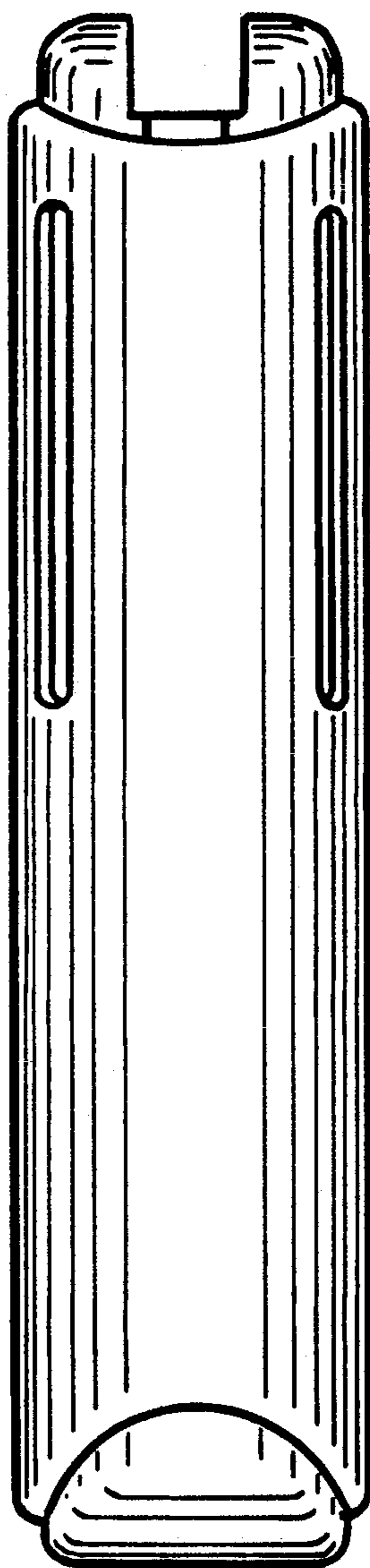


FIG. 4

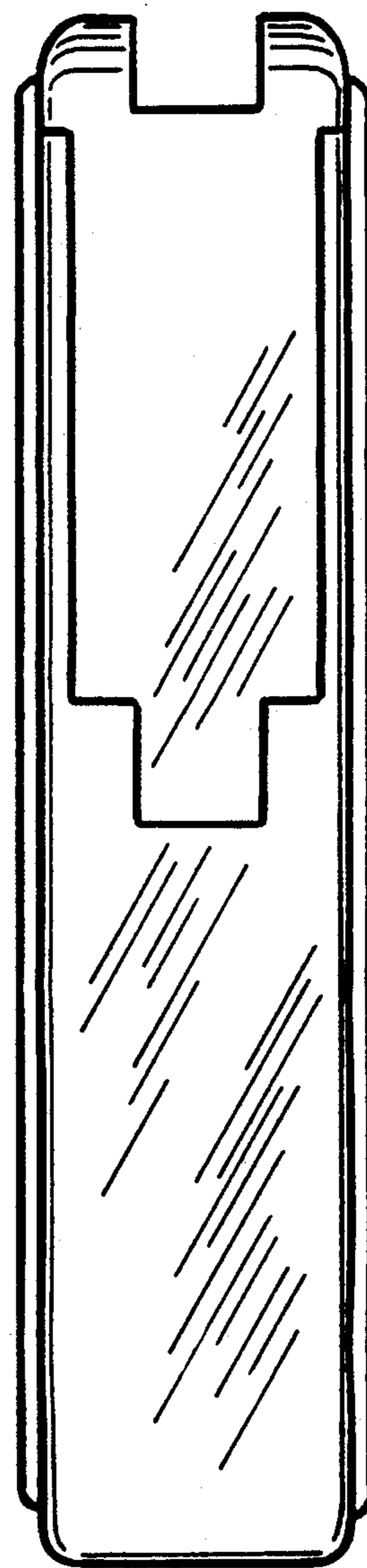


FIG. 5

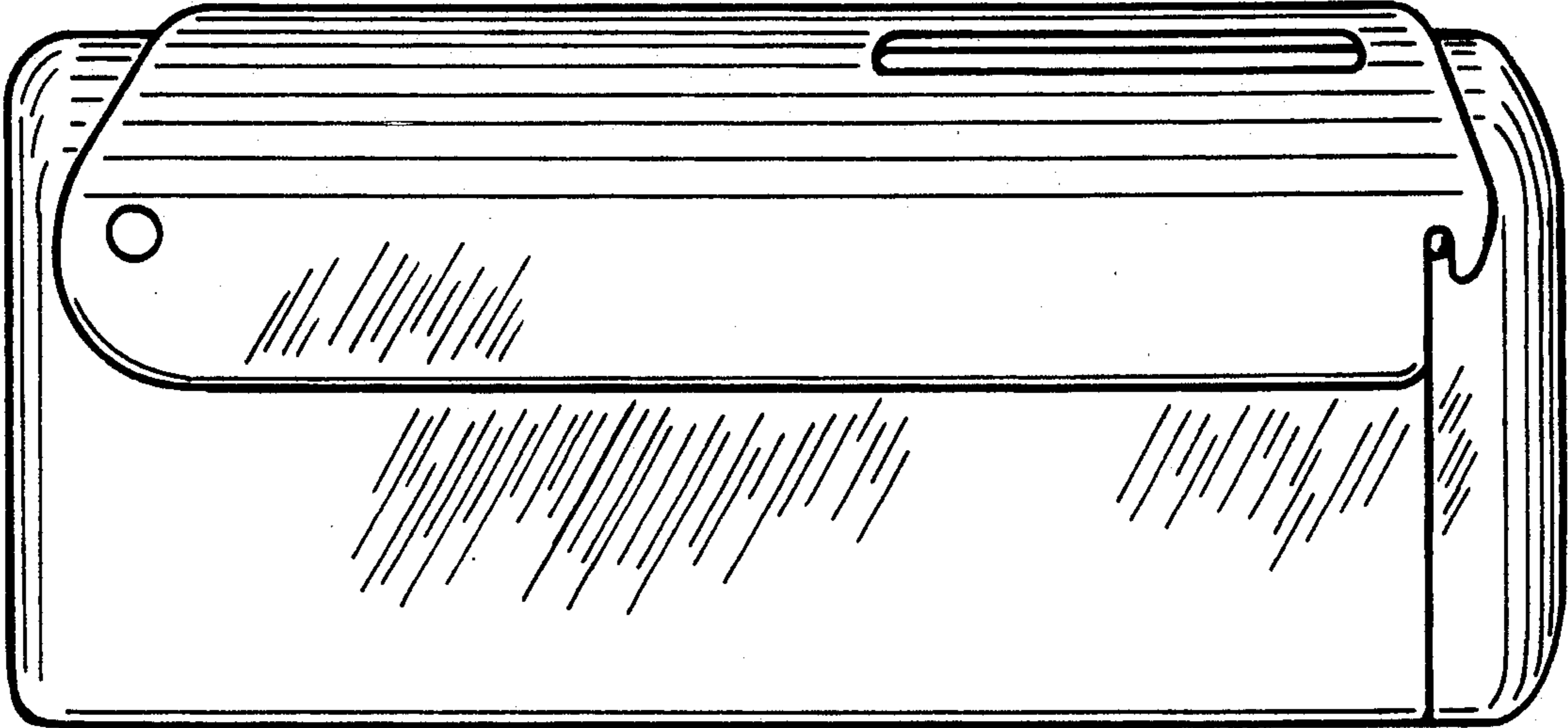


FIG. 6

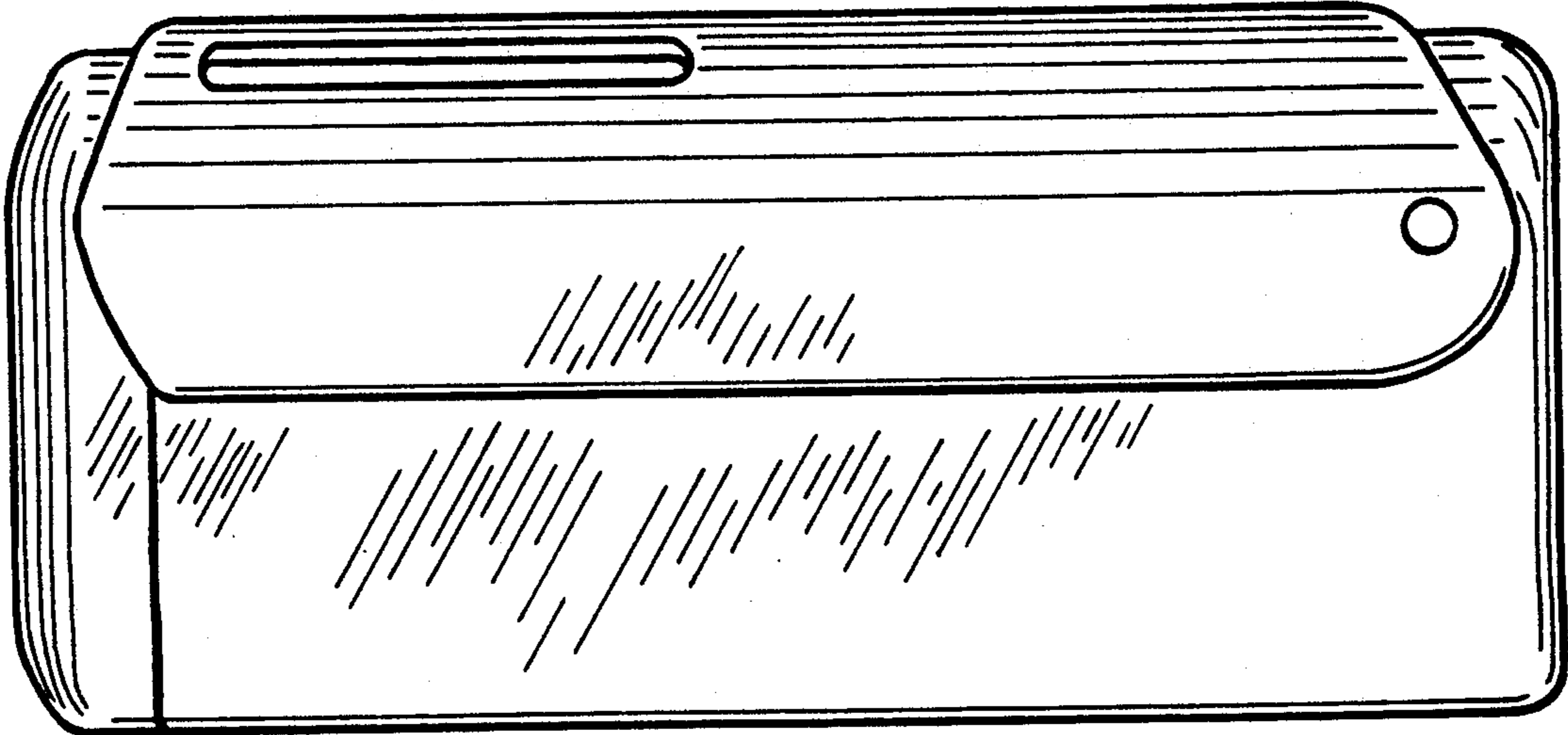


FIG. 7