



US00D326151S

United States Patent [19]

[11] Patent Number: **Des. 326,151**

Wallace et al.

[45] Date of Patent: **** May 12, 1992**

[54] **MEDICINE DISPENSING PACIFIER**

4,768,510 9/1988 Leung 606/234

[76] Inventors: **Tanya L. Wallace; Howard L. Wallace**, both of 901 Cheswold Ct., Bel Air, Md. 21014

FOREIGN PATENT DOCUMENTS

210888 2/1924 United Kingdom 606/234

[**] Term: **14 Years**

Primary Examiner—Stella Reid
Attorney, Agent, or Firm—Jerry T. Kearns

[21] Appl. No.: **301,743**

[57] CLAIM

[22] Filed: **Jan. 25, 1989**

The ornamental design for a medicine dispensing pacifier, as shown and described.

[52] U.S. Cl. **D24/194; D24/115**

[58] Field of Search **D24/46, 63; 606/234, 606/235, 236; 604/77, 78; 215/11.1-11.6**

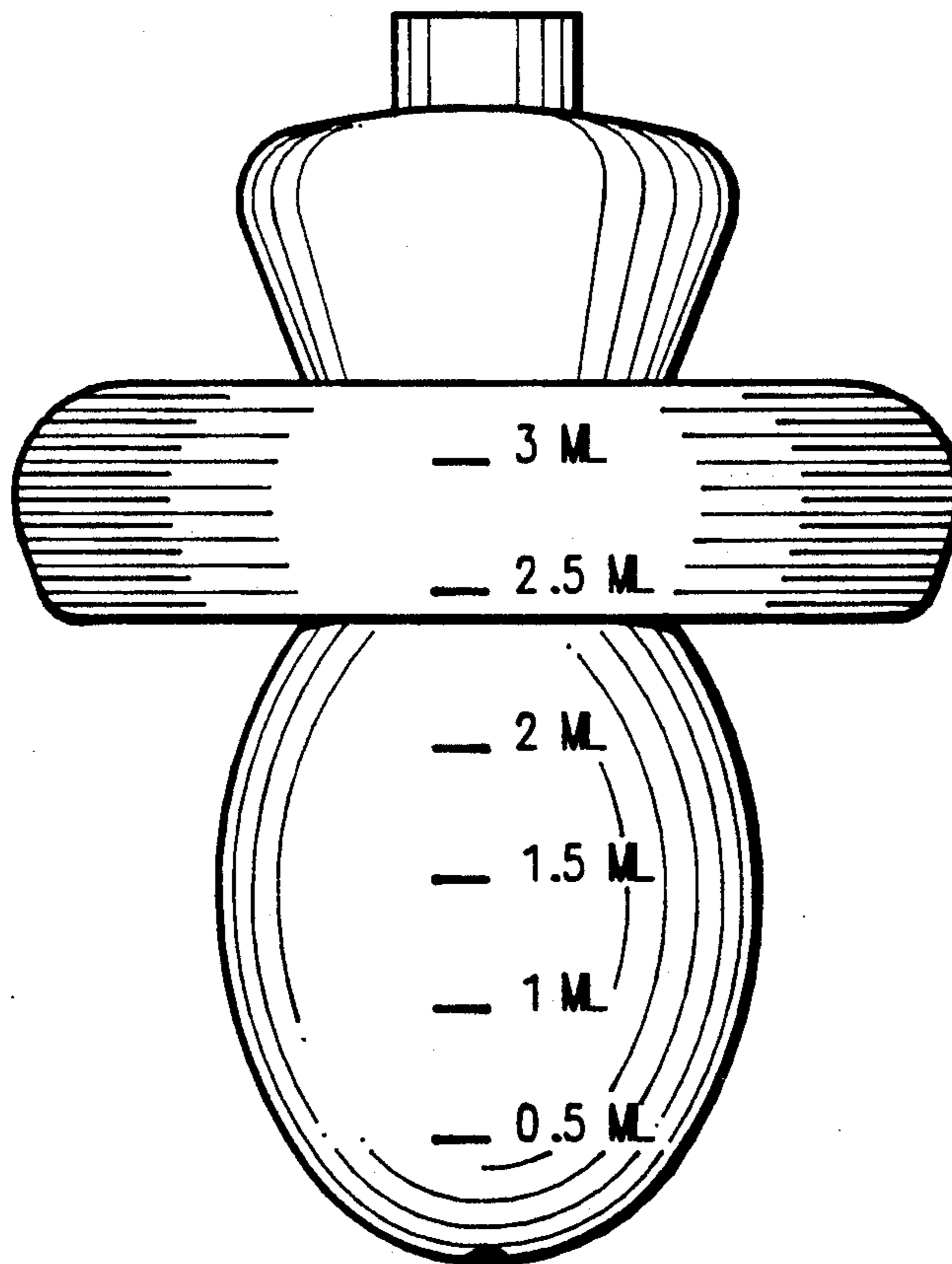
DESCRIPTION

[56] References Cited

U.S. PATENT DOCUMENTS

- D. 249,161 8/1978 Röhrig 606/234 X
- 2,612,165 9/1952 Szuderski 606/236
- 2,665,693 1/1954 Pecora 606/235

FIG. 1 is a front elevational view of a medicine dispensing pacifier showing our new design;
 FIG. 2 is a rear elevational view thereof;
 FIG. 3 is a left side elevational view thereof;
 FIG. 4 is a right side elevational view thereof;
 FIG. 5 is a top plan view thereof; and,
 FIG. 6 is a bottom plan view thereof.



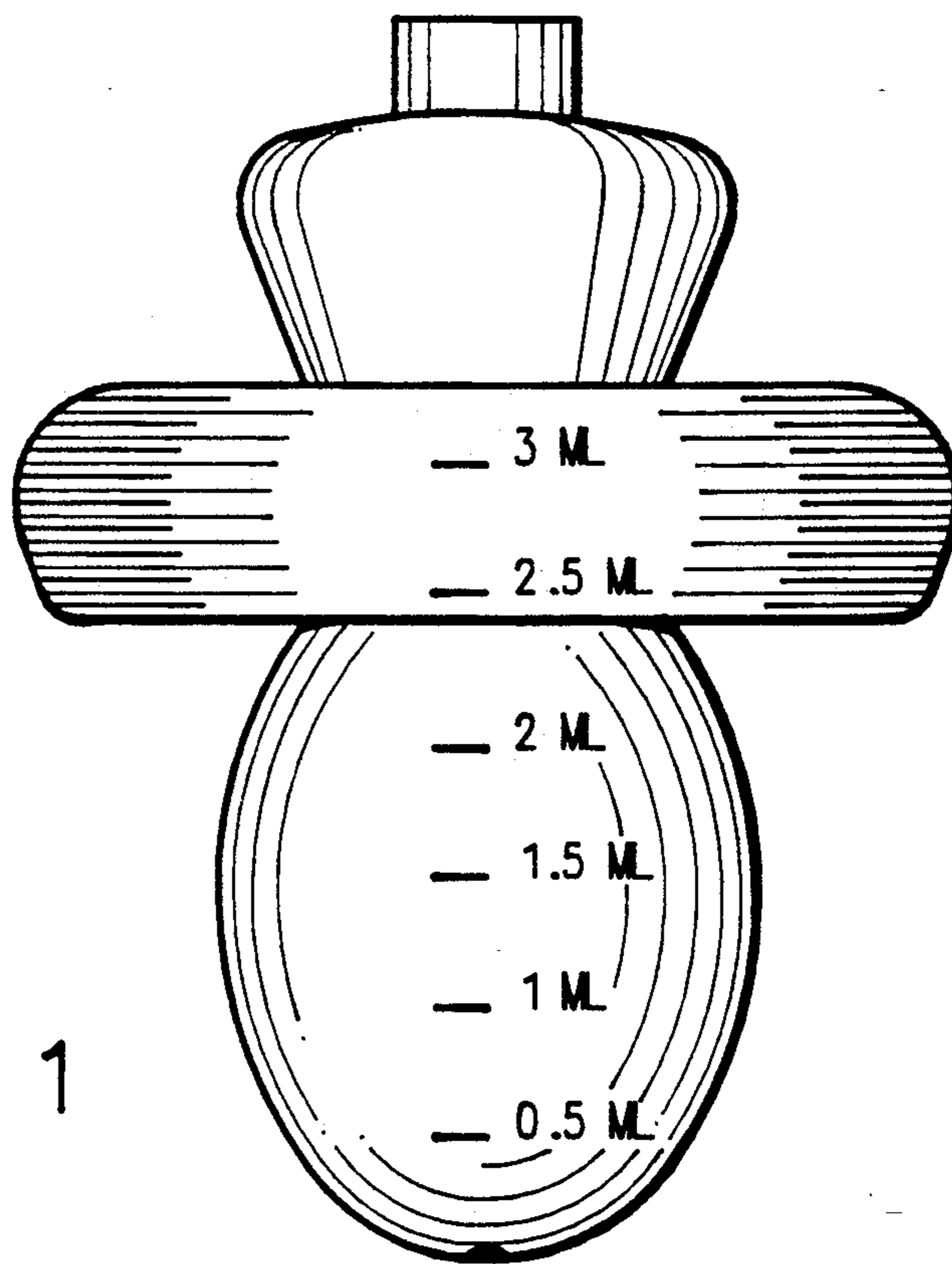


Fig. 1

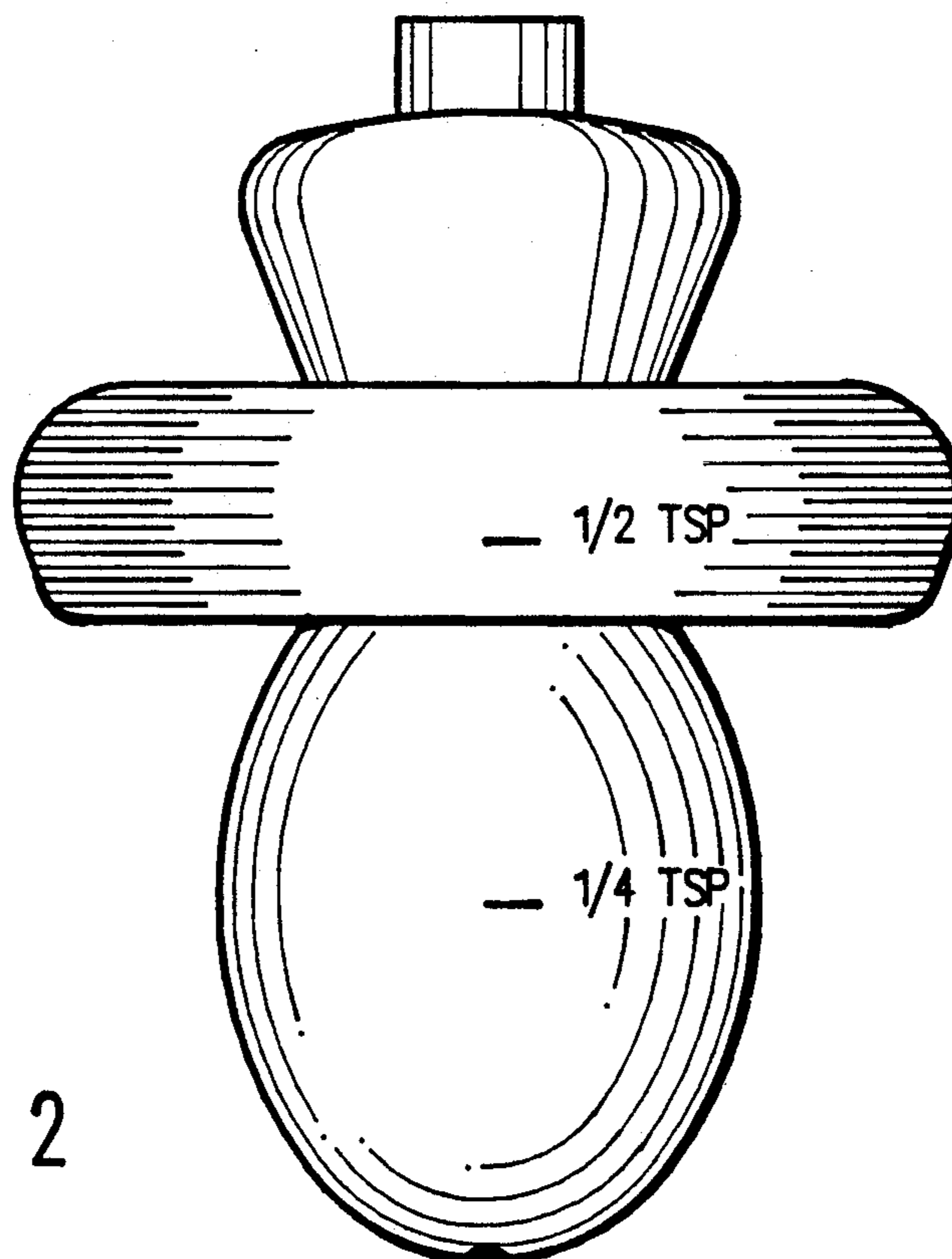


Fig. 2

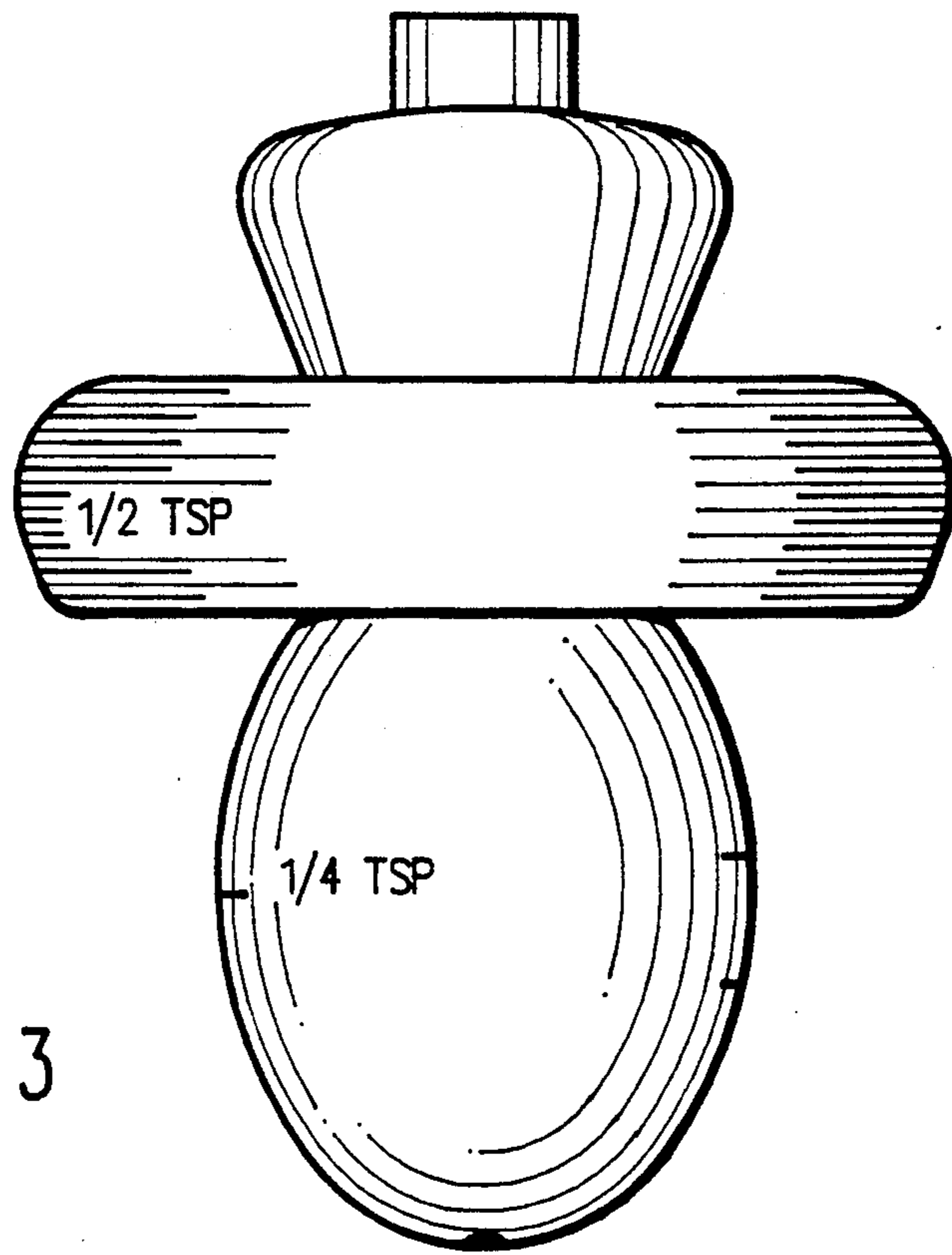


Fig. 3

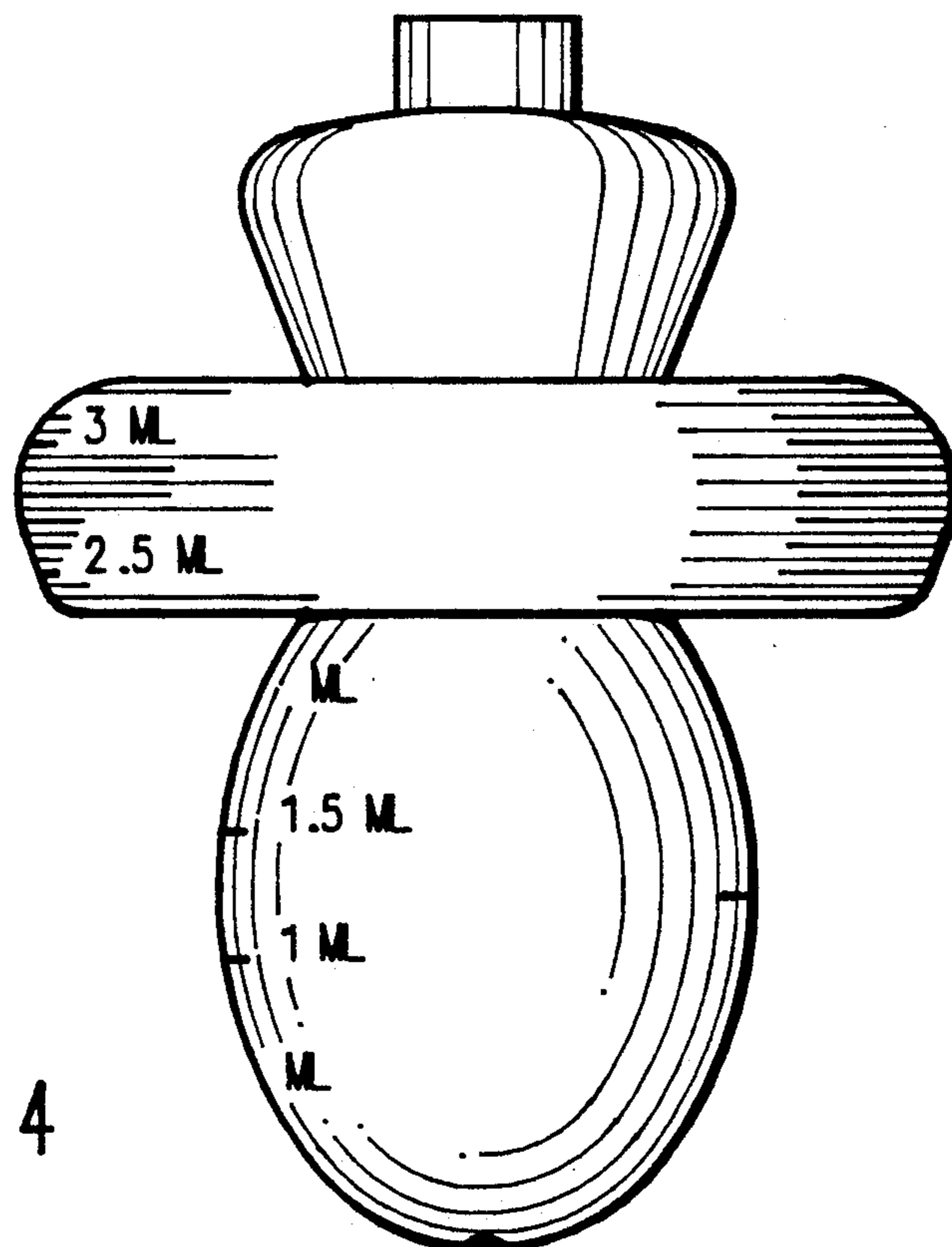


Fig. 4

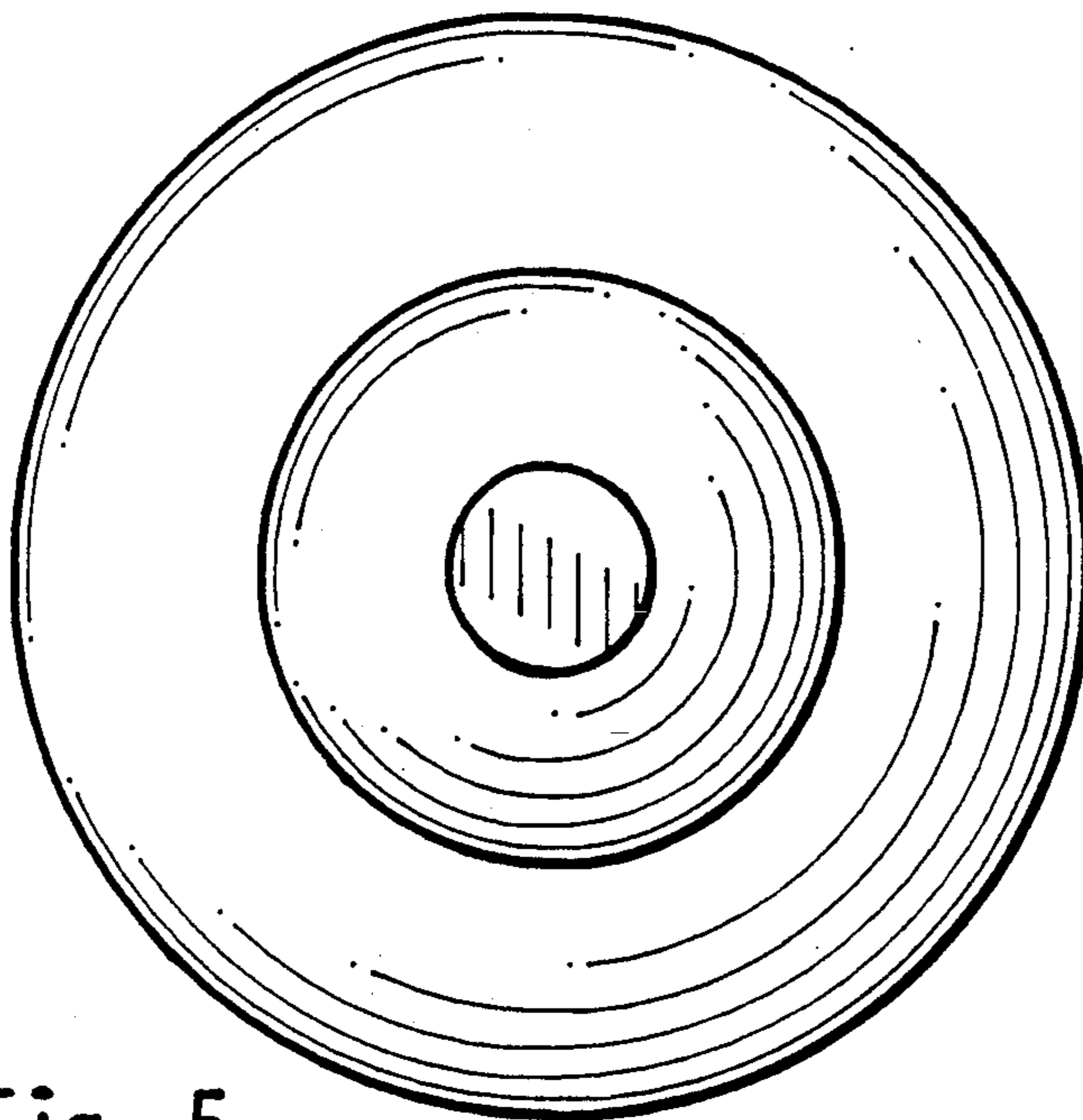


Fig. 5

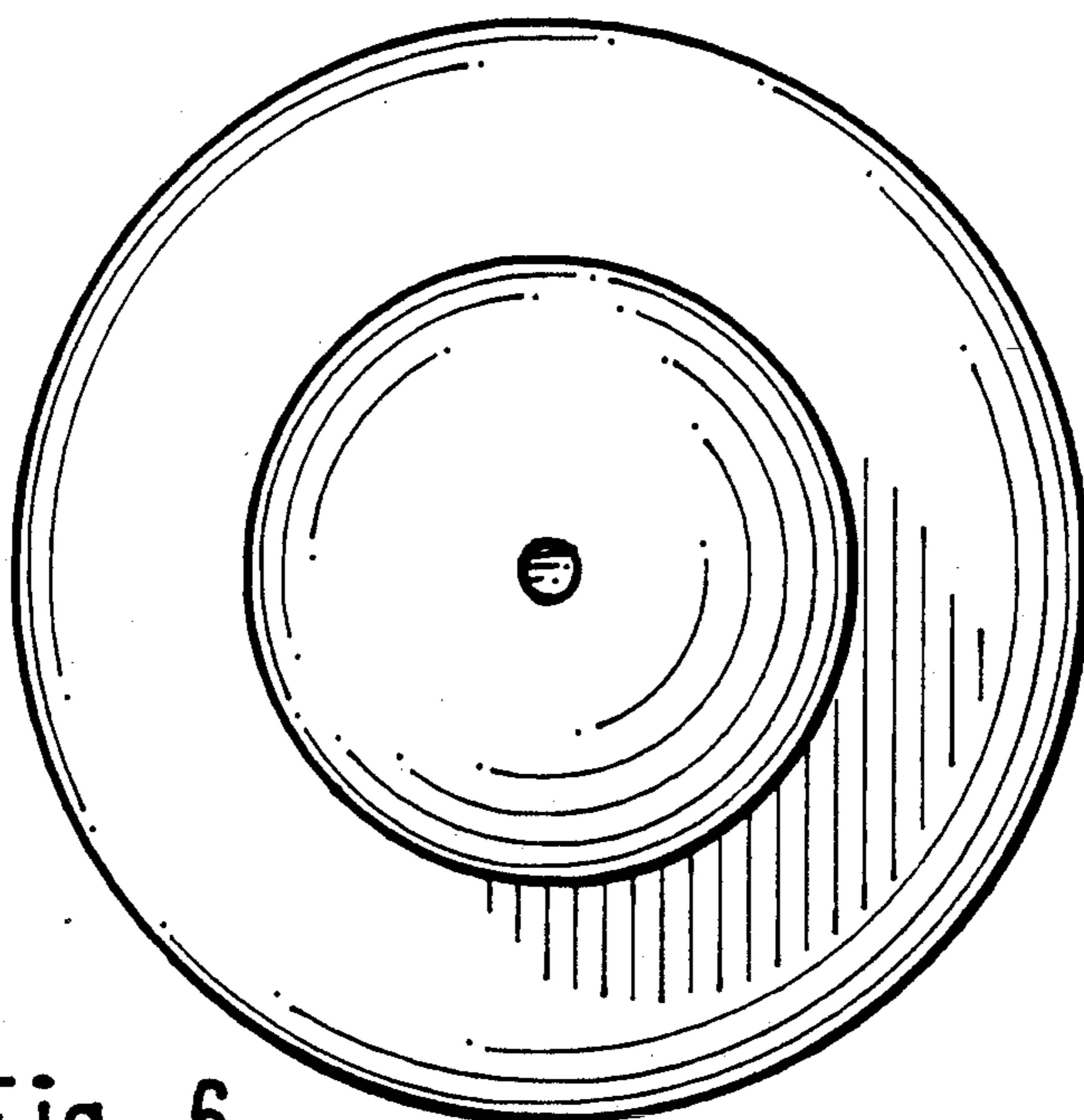


Fig. 6