



US00D326150S

United States Patent [19]

[11] Patent Number: **Des. 326,150**

Jakoub

[45] Date of Patent: **** May 12, 1992**

[54] ARTICULATOR

[76] Inventor: **Diab H. Jakoub**, 112 Richardson Heights Village, Richardson, Tex. 75080

[*] Notice: The portion of the term of this patent subsequent to Dec. 12, 2004 has been disclaimed.

[**] Term: **14 Years**

[21] Appl. No.: **794,045**

[22] Filed: **Oct. 25, 1985**

[52] U.S. Cl. **D24/182**

[58] Field of Search **D24/4-5, D24/10-16; 433/53-68; 264/16-20, 68-71, 213-214**

[56] References Cited

U.S. PATENT DOCUMENTS

D. 191,110	8/1961	Weissman	D24/10
D. 258,838	4/1981	Lee	D24/10
4,100,679	7/1978	Mogilevsky	433/58
4,417,873	11/1983	Kulas	433/57

FOREIGN PATENT DOCUMENTS

744402 2/1956 United Kingdom 433/56

OTHER PUBLICATIONS

Articulator-Model "D" Henry Schein catalogue 1982 p. 205.

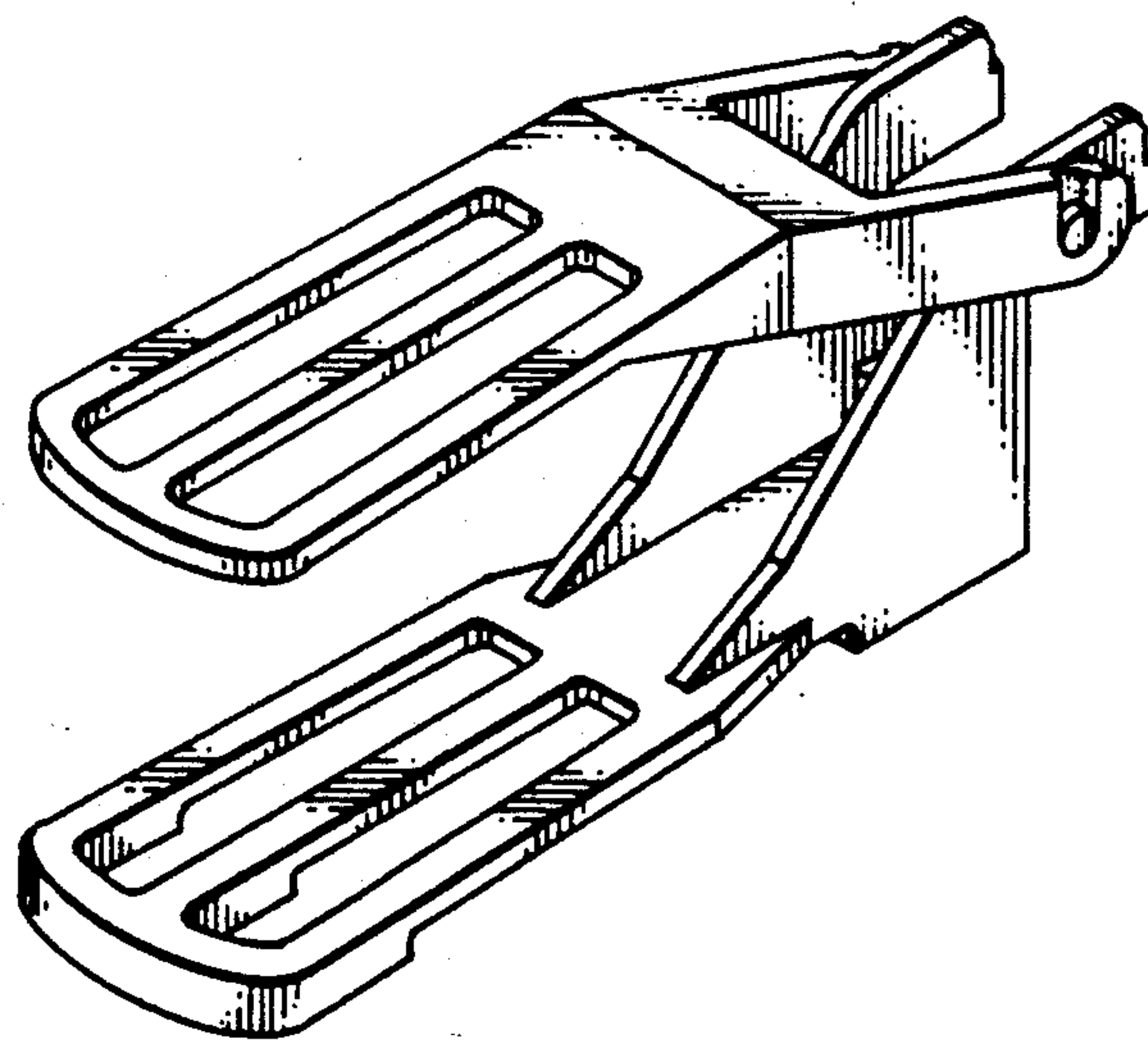
Primary Examiner—Wallace R. Burke
Assistant Examiner—Brian N. Vinson
Attorney, Agent, or Firm—Kanz, Scherback & Timmons

[57] CLAIM

The ornamental design for an articulator, as shown and described.

DESCRIPTION

FIG. 1 is a perspective view of an articulator embodying my new design;
FIG. 2 is a right side elevational view thereof;
FIG. 3 is a left side elevational view thereof;
FIG. 4 is a top plan view thereof;
FIG. 5 is a bottom plan view thereof;
FIG. 6 is a front elevational view thereof; and,
FIG. 7 is a rear elevational view thereof.



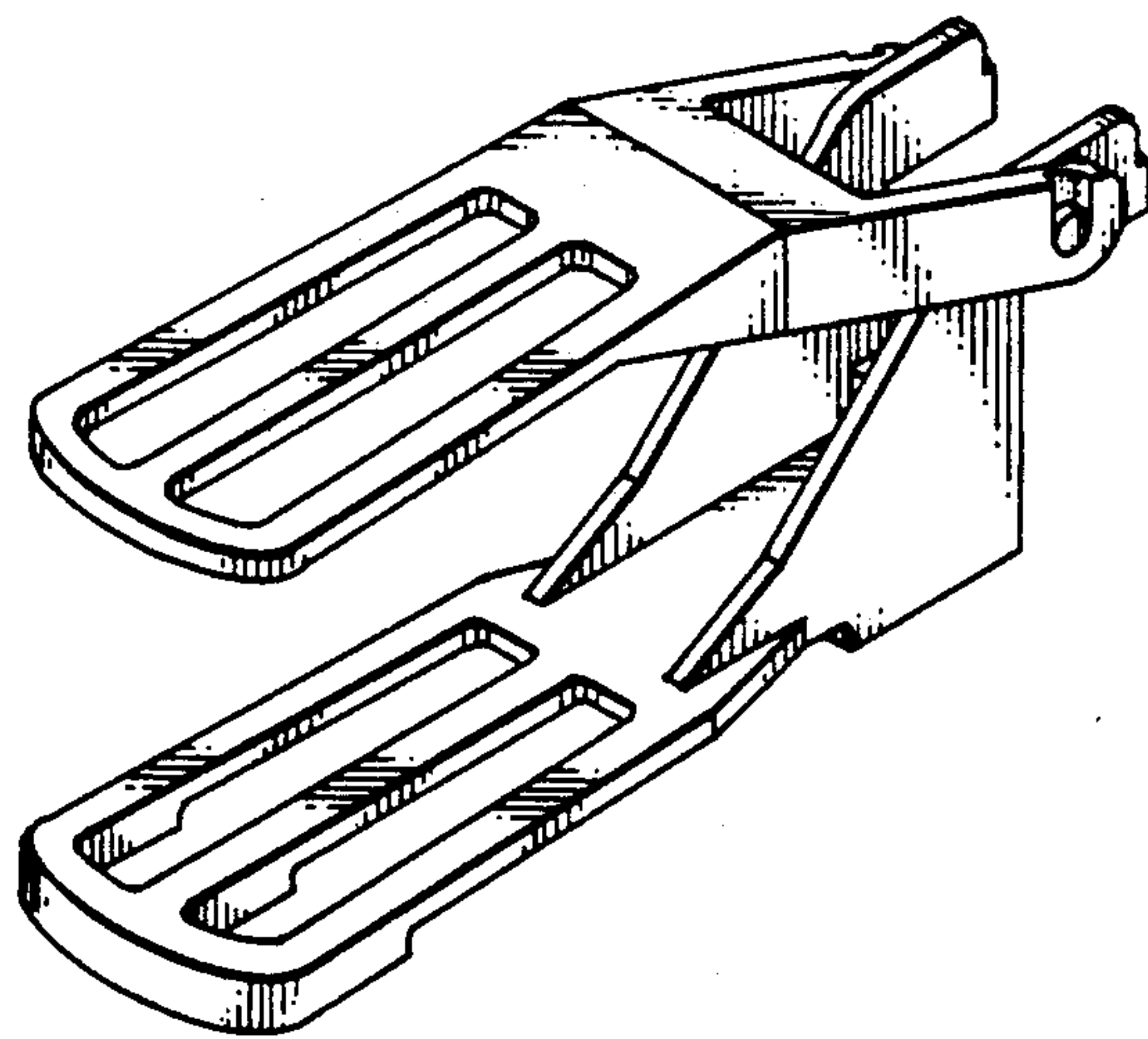


FIG. 1

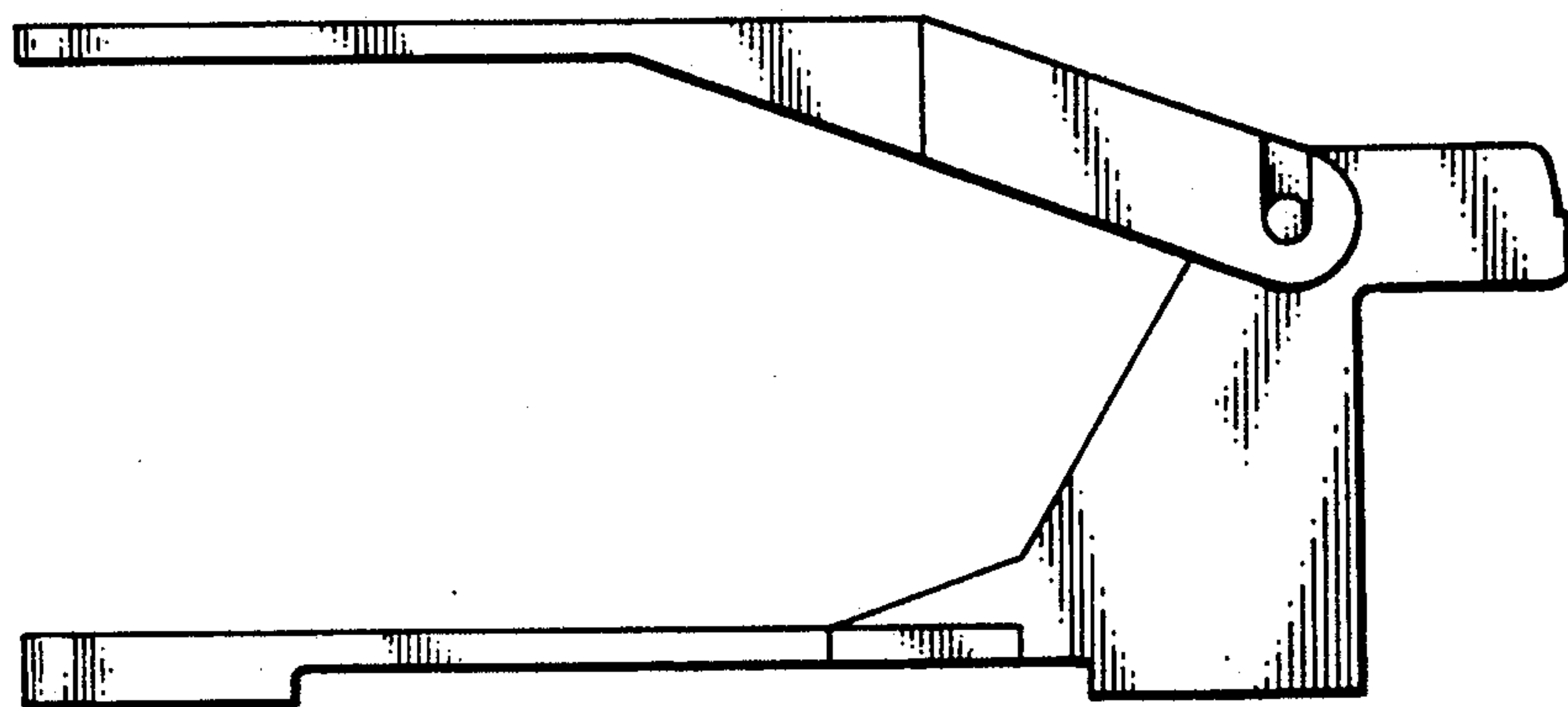


FIG. 2

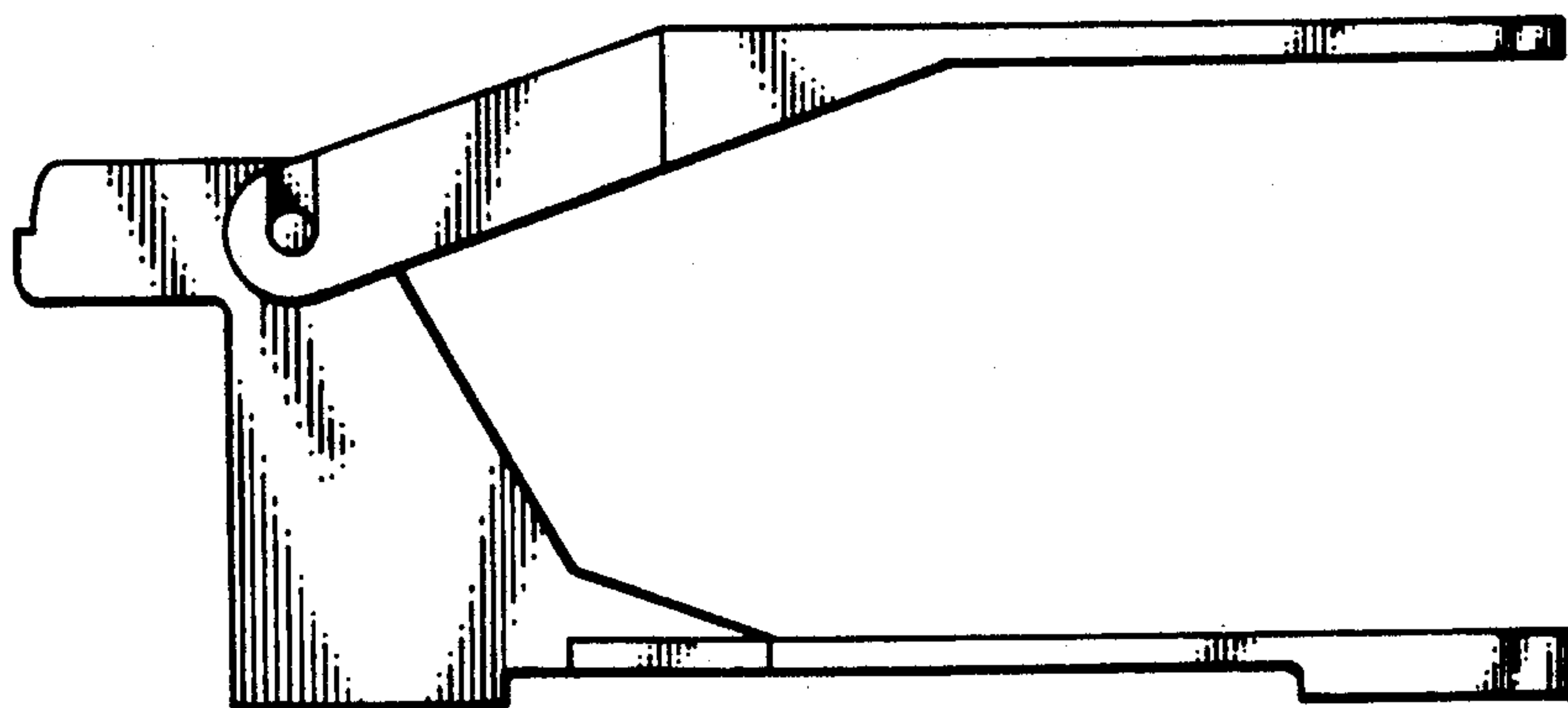


FIG. 3

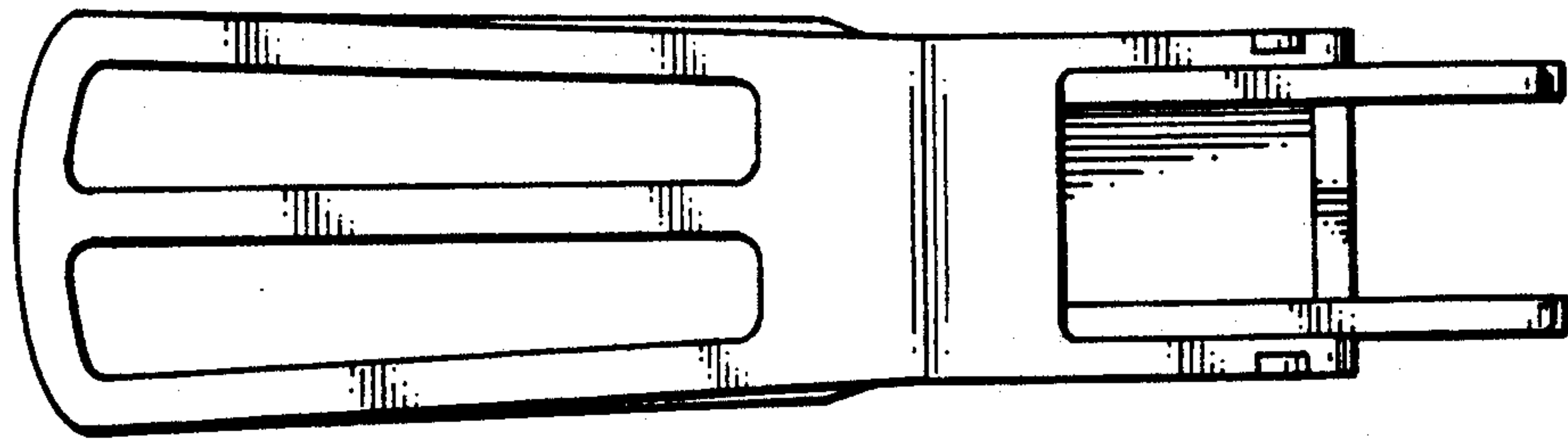


FIG. 4

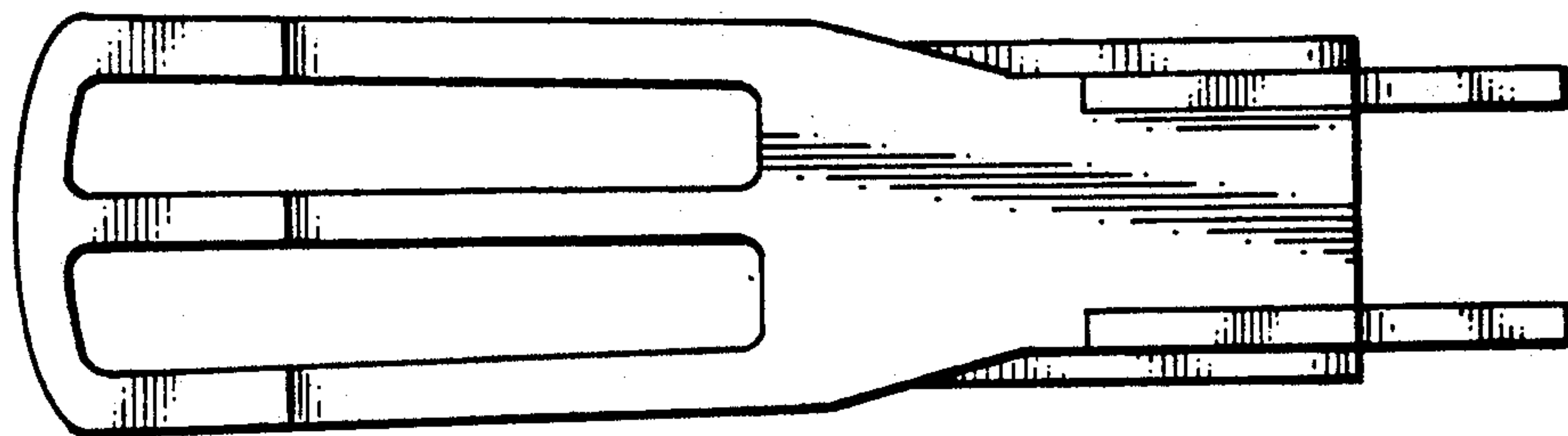


FIG. 5

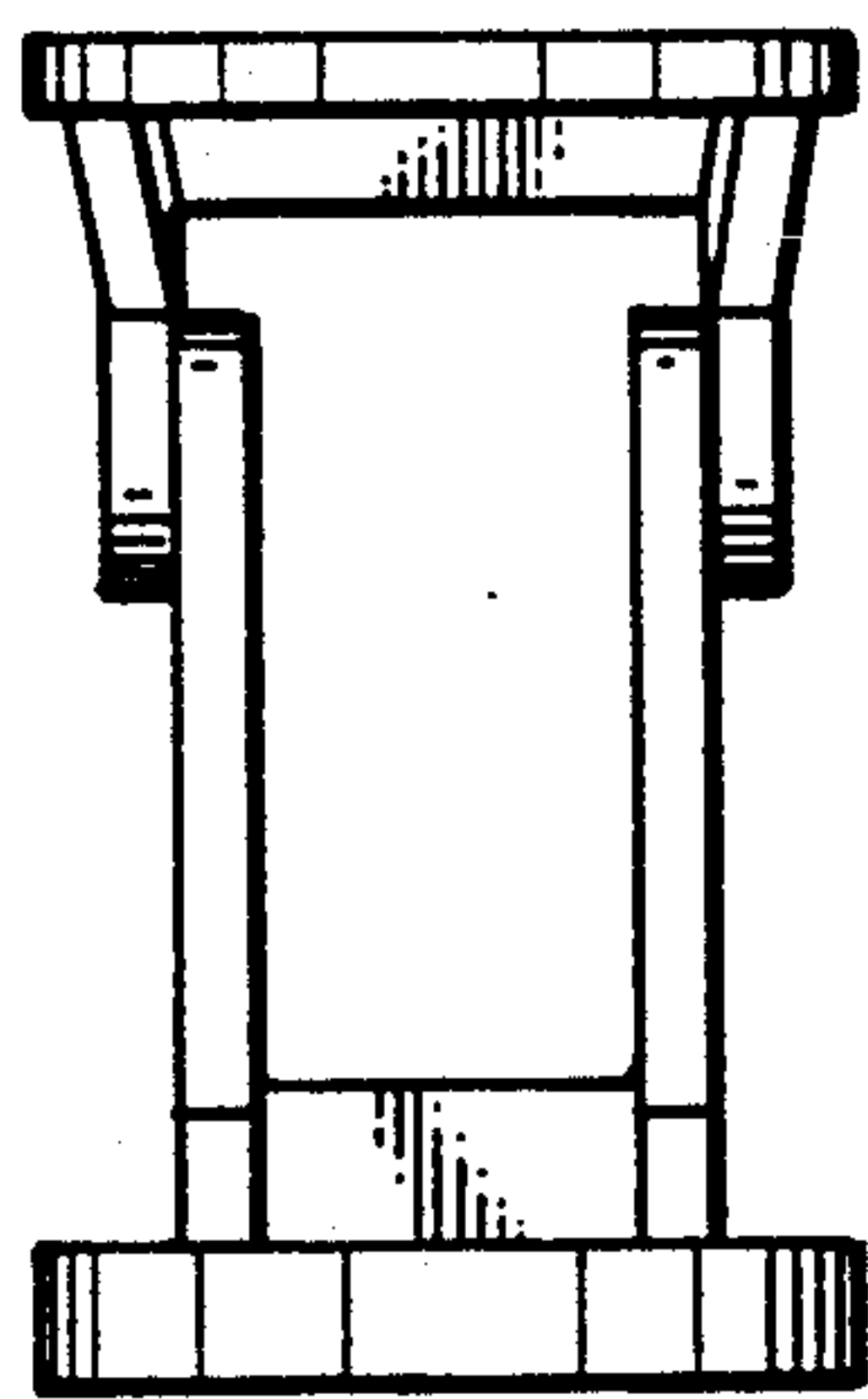


FIG. 6

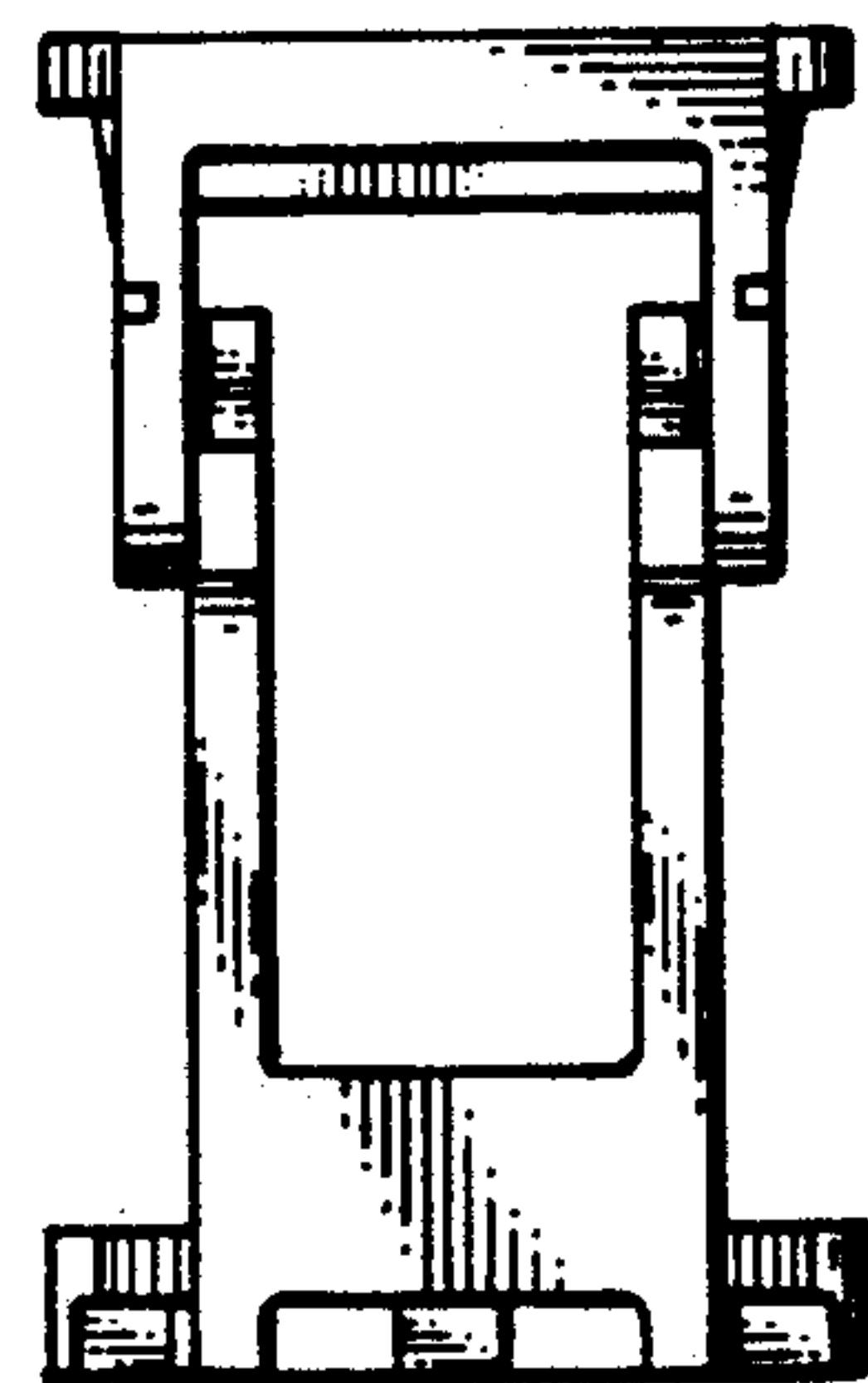


FIG. 7