



US00D326149S

# United States Patent [19]

[11] Patent Number: **Des. 326,149**

Taylor, III

[45] Date of Patent: **\*\* May 12, 1992**

[54] **CEILING FAN BLADE**

[76] Inventor: **William N. Taylor, III**, P.O. Box 810121, Dallas, Tex. 75381-0121

[\*] Notice: The portion of the term of this patent subsequent to Mar. 13, 2004 has been disclaimed.

[\*\*] Term: **14 Years**

[21] Appl. No.: **588,415**

[22] Filed: **Sep. 26, 1990**

### Related U.S. Application Data

[63] Continuation-in-part of Ser. No. 490,950, Mar. 9, 1990.

[52] U.S. Cl. .... **D23/413**

[58] Field of Search ..... **D23/377-379, D23/385, 411, 413; D21/235; 416/5**

### [56] References Cited

#### U.S. PATENT DOCUMENTS

D. 262,736	1/1982	Wooden	.....	D23/413
D. 292,313	10/1987	Kawai	.....	D23/377
D. 306,643	3/1990	Taylor, III	.....	D23/413
D. 309,183	7/1990	Taylor, III	.....	D23/413
D. 313,467	1/1991	Frampton	.....	D23/379
3,004,623	10/1961	Nissen	.....	D21/235

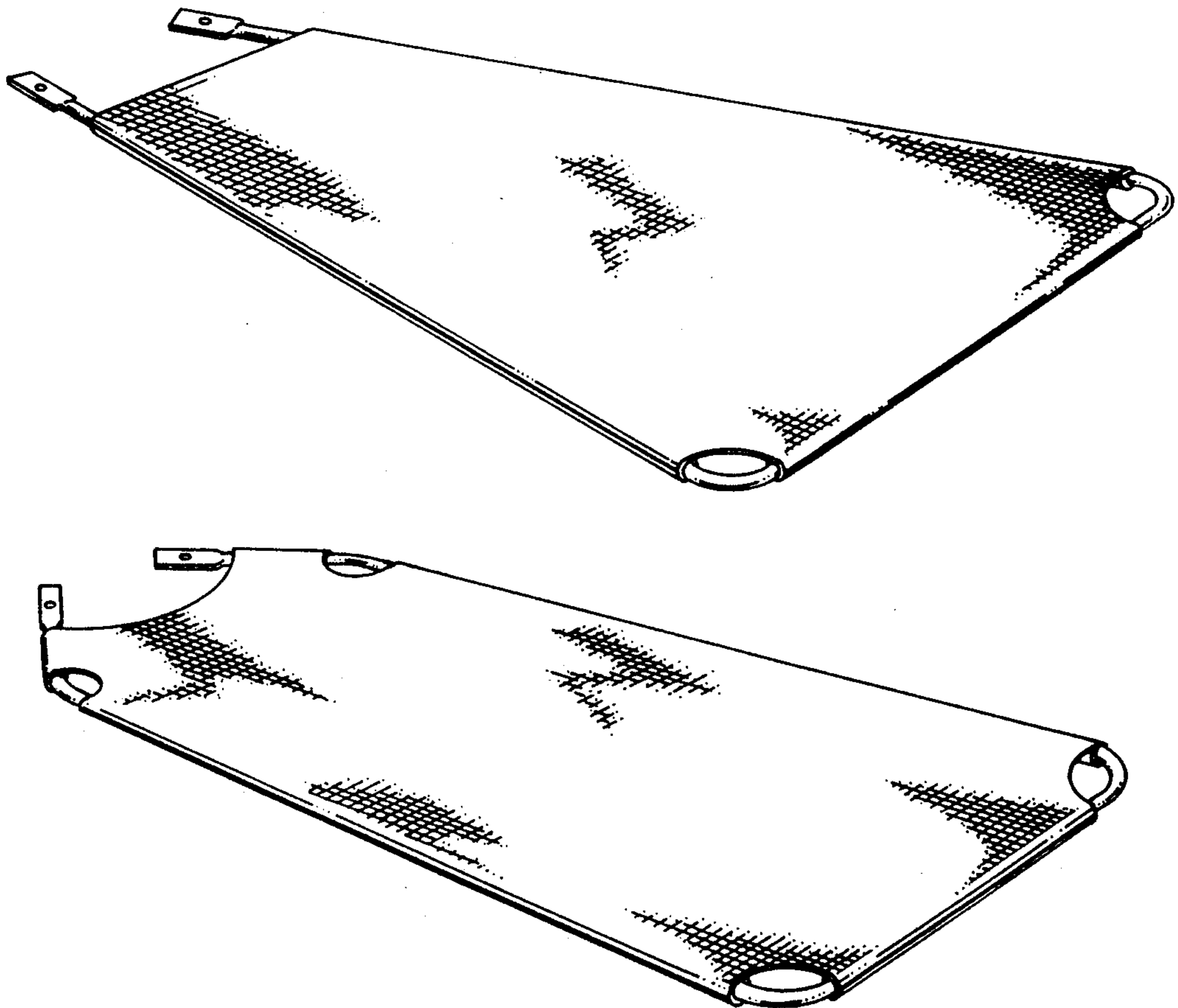
*Primary Examiner*—Wallace R. Burke  
*Assistant Examiner*—Lisa Lichtenstein  
*Attorney, Agent, or Firm*—W. Kirk McCord

### [57] CLAIM

The ornamental design for a ceiling fan blade, as shown and described.

### DESCRIPTION

FIG. 1 is a top perspective view of a ceiling fan blade showing my new design;  
 FIG. 2 is a top plan view thereof;  
 FIG. 3 is a right end elevation view thereof;  
 FIG. 4 is a left end elevation view thereof;  
 FIG. 5 is a bottom plan view thereof; and  
 FIG. 6 is a right side elevation view thereof, the left side being a mirror image of that shown;  
 FIG. 7 is a top perspective view of a ceiling fan blade showing a second embodiment of my new design;  
 FIG. 8 is a top plan view of FIG. 7;  
 FIG. 9 is a right end elevation view of FIG. 7;  
 FIG. 10 is a left end elevation view of FIG. 7;  
 FIG. 11 is a bottom plan view of FIG. 7; and,  
 FIG. 12 is a right side elevation view of FIG. 7, the left side being a mirror image of that shown.  
 The fragmentary criss-cross pattern shown in FIGS. 1-12 is understood to be repeated uniformly throughout the area.



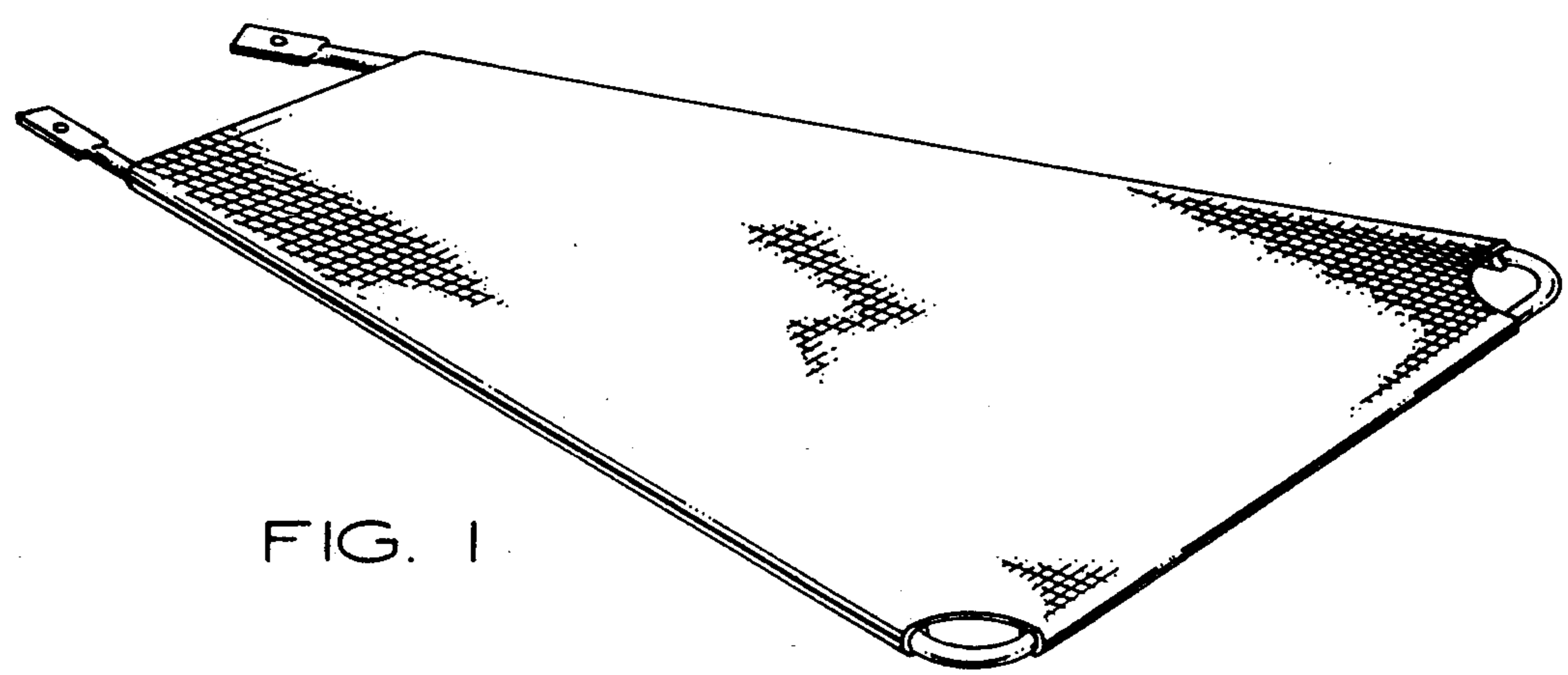


FIG. 1

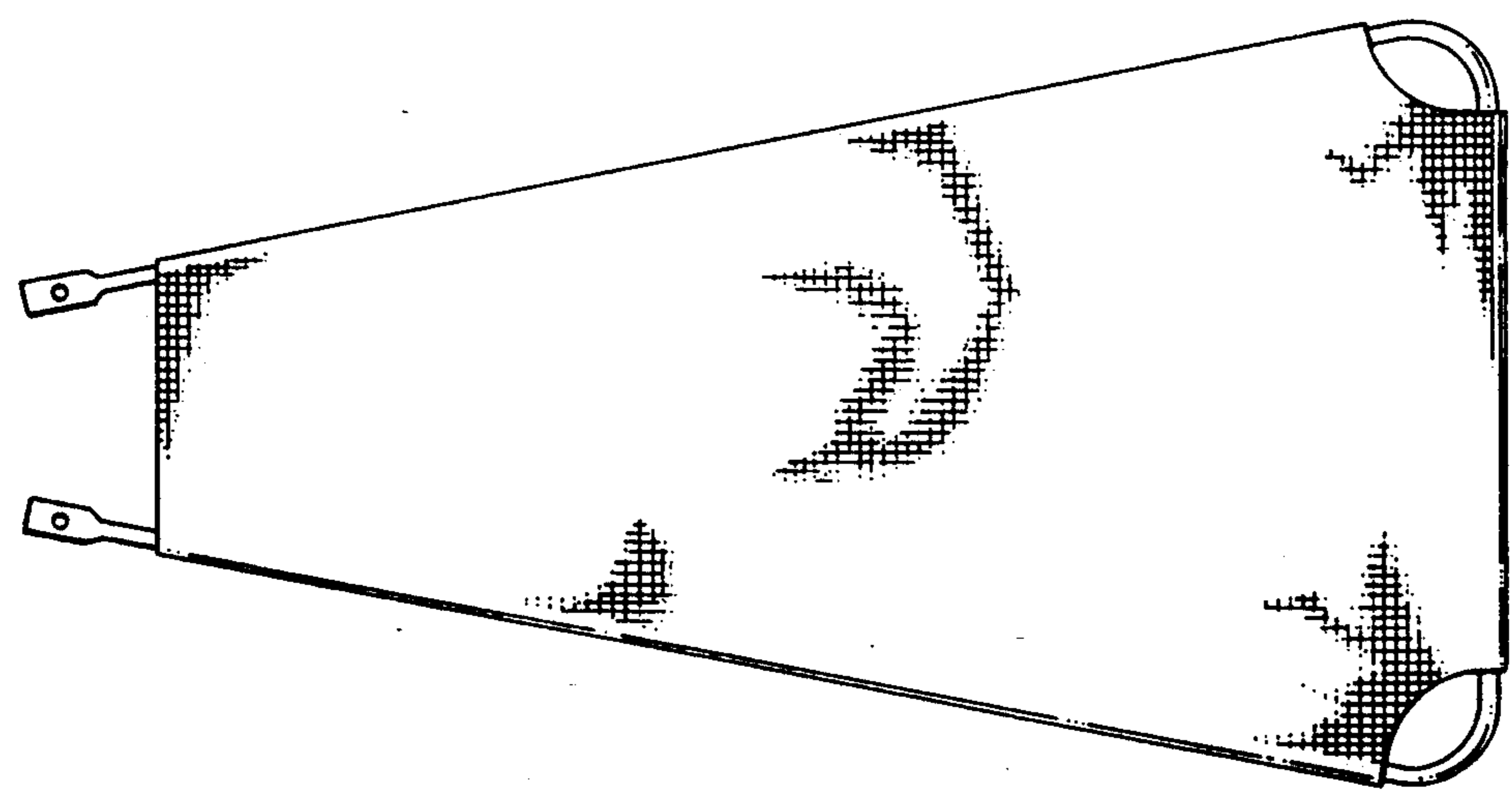


FIG. 2



FIG. 3



FIG. 4

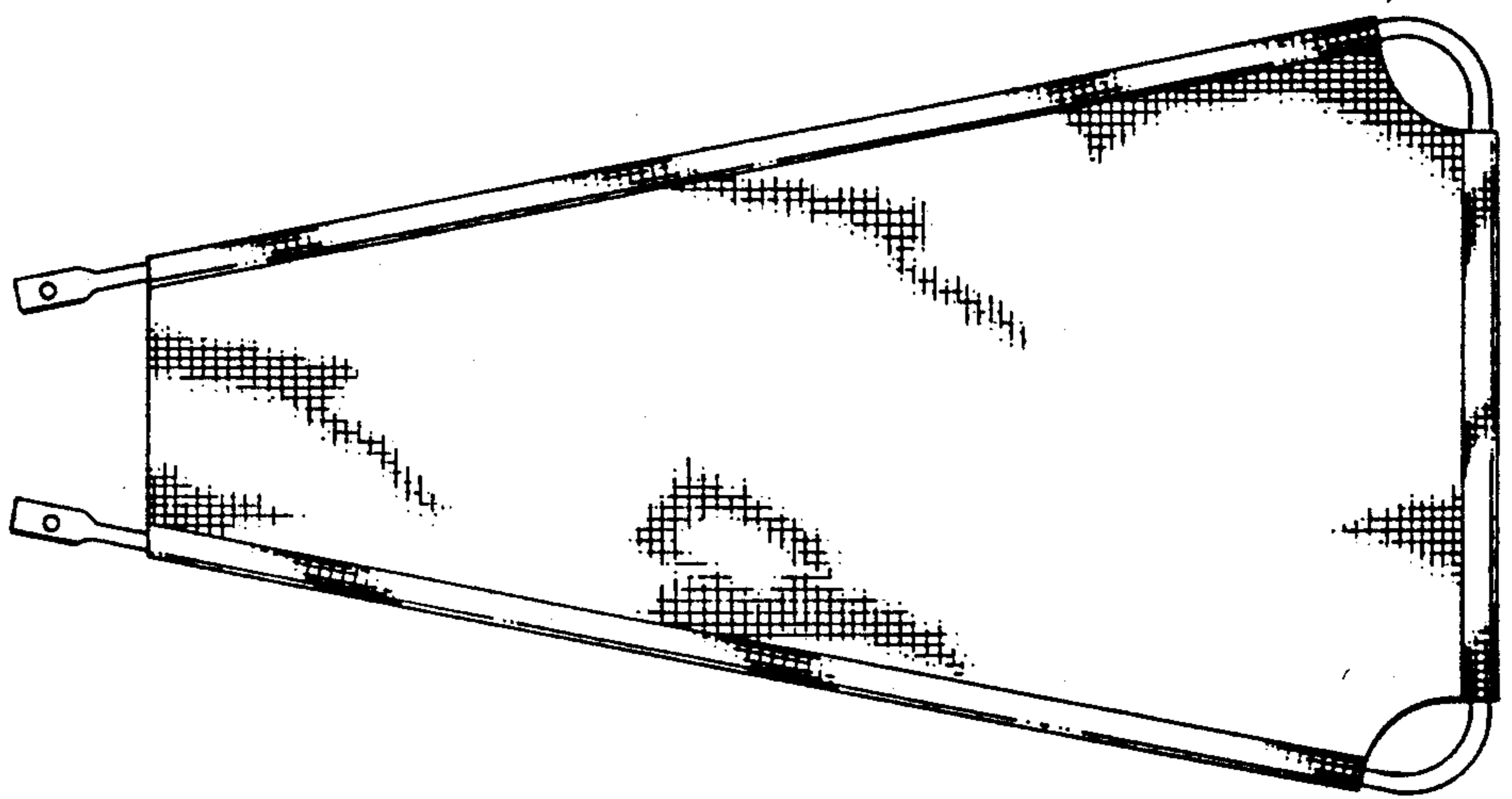


FIG. 5



FIG. 6

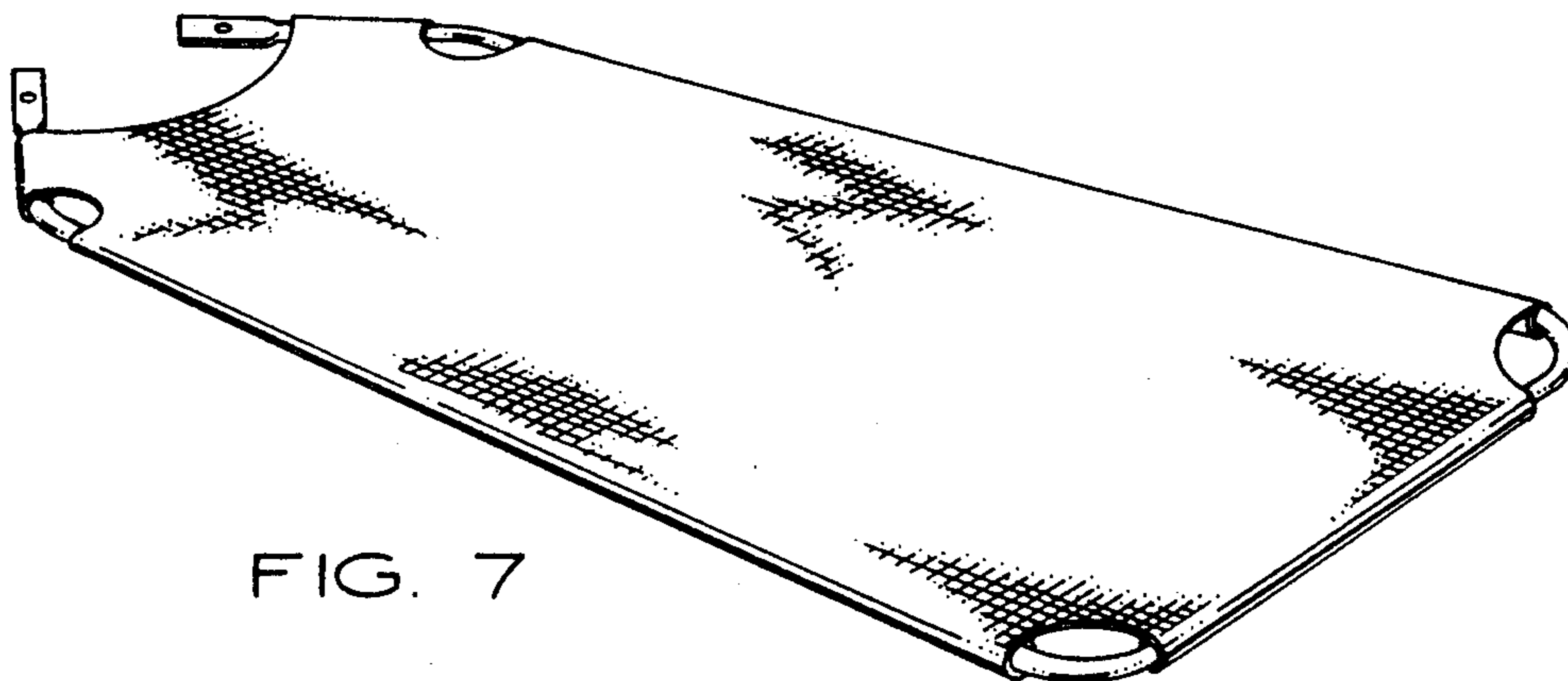


FIG. 7

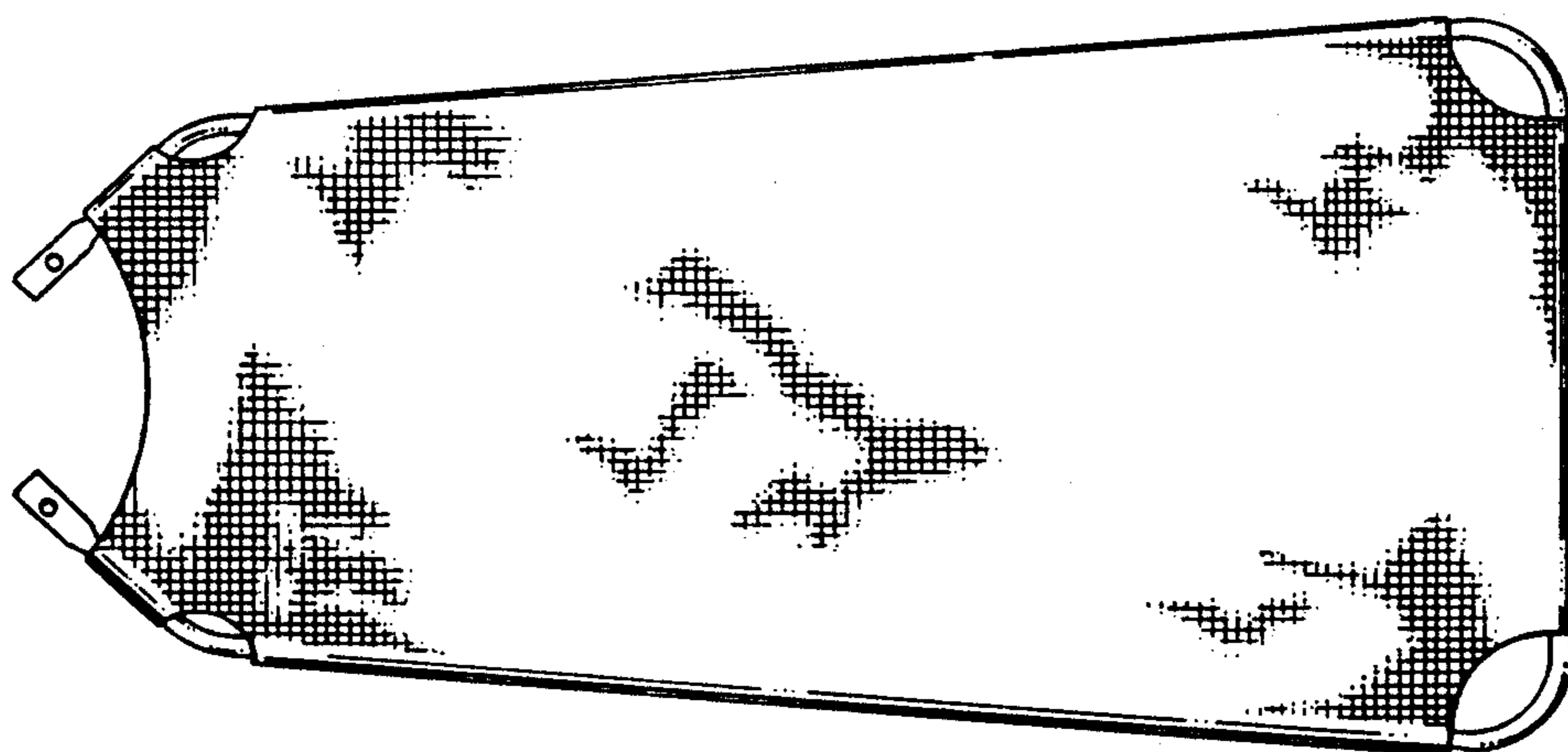


FIG. 8



FIG. 9



FIG. 10

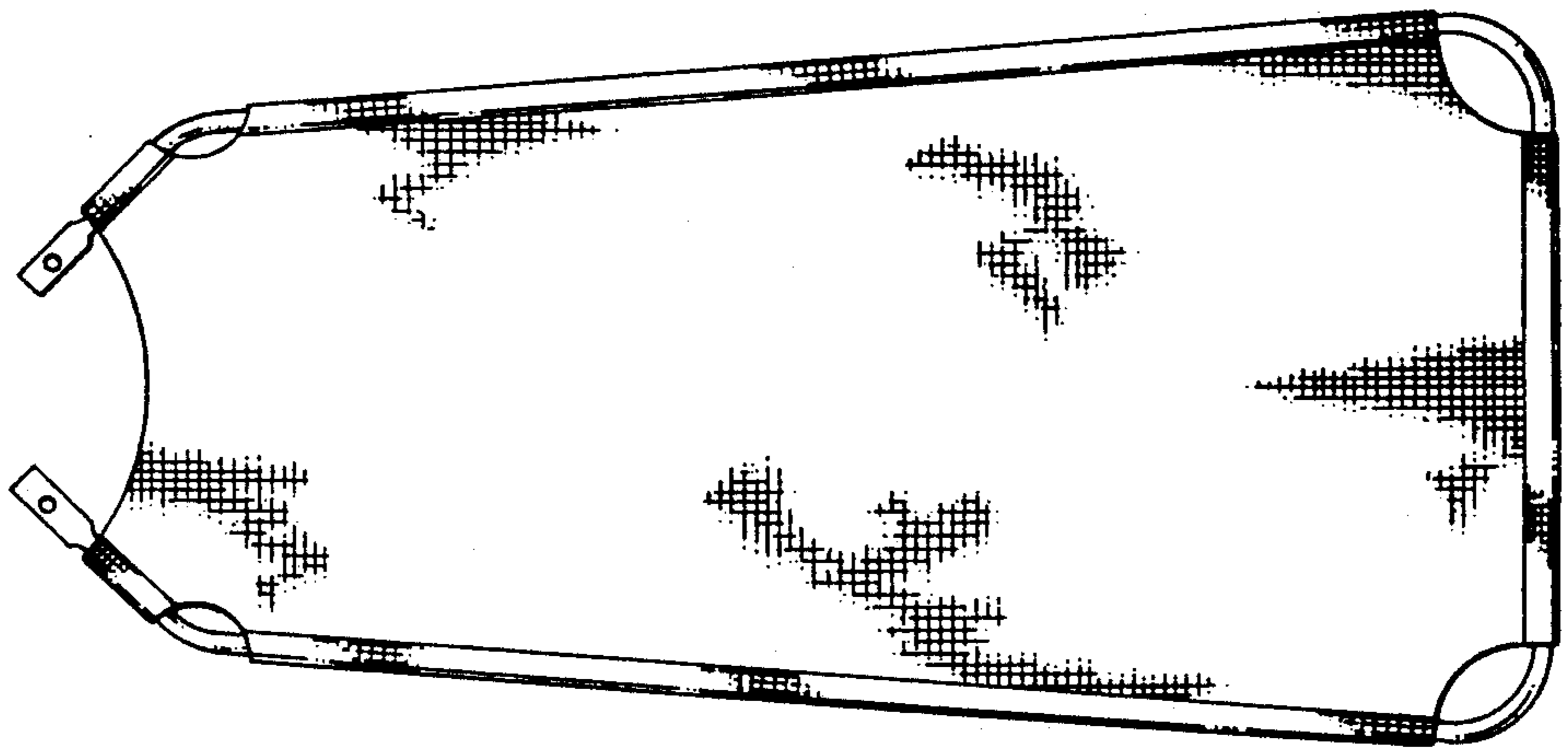


FIG. 11

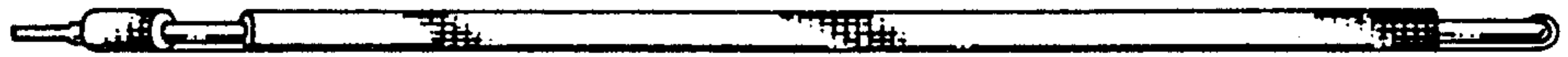


FIG. 12