



US00D326143S

United States Patent [19]

[11] Patent Number: **Des. 326,143**

Stites

[45] Date of Patent: **** May 12, 1992**

[54] **COMBINED HEAD & BACK SUPPORT TO FACILITATE WASHING HAIR IN A BATHTUB**

FOREIGN PATENT DOCUMENTS

567251 10/1957 Italy 4/575

[76] Inventor: **Cynthia N. Stites**, 9011 W. Swan Cir., Brentwood, Mo. 63144

OTHER PUBLICATIONS

J. C. Penney's Christmas Catalog, 1978, p. 277, position pillow #E.

[**] Term: **14 Years**

Primary Examiner—Susan J. Lucas

[21] Appl. No.: **322,226**

Attorney, Agent, or Firm—Rogers, Howell & Haferkamp

[22] Filed: **Mar. 13, 1989**

[57] CLAIM

[52] U.S. Cl. **D23/304**

The ornamental design for a combined head and back support to facilitate washing hair in a bathtub, as shown and described.

[58] Field of Search 4/513, 538-544, 4/546, 530, 523, 519, 515, 516, 559, 571-579, 584, 589, 590, 592, 594; D23/303, 304, 289

DESCRIPTION

[56] References Cited

U.S. PATENT DOCUMENTS

- 2,351,849 6/1944 Wells et al. .
- 2,505,252 4/1950 Langley .
- 2,818,585 1/1958 Campbell .
- 2,985,889 5/1961 Fain et al. .
- 3,210,775 10/1965 Jongeneel .
- 3,545,012 12/1970 Espin .
- 3,965,496 6/1976 Grelle .
- 4,074,370 2/1978 Harmony, III 4/575 X

FIG. 1 is a front, left side perspective view of a combined head and back support to facilitate washing hair in a bathtub showing my new design;
 FIG. 2 is a rear, right side perspective view thereof;
 FIG. 3 is a top plan view thereof;
 FIG. 4 is a bottom plan view thereof;
 FIG. 5 is a front elevational view thereof;
 FIG. 6 is a rear elevational view thereof;
 FIG. 7 is a right side elevational view thereof; and,
 FIG. 8 is a left side elevational view thereof.

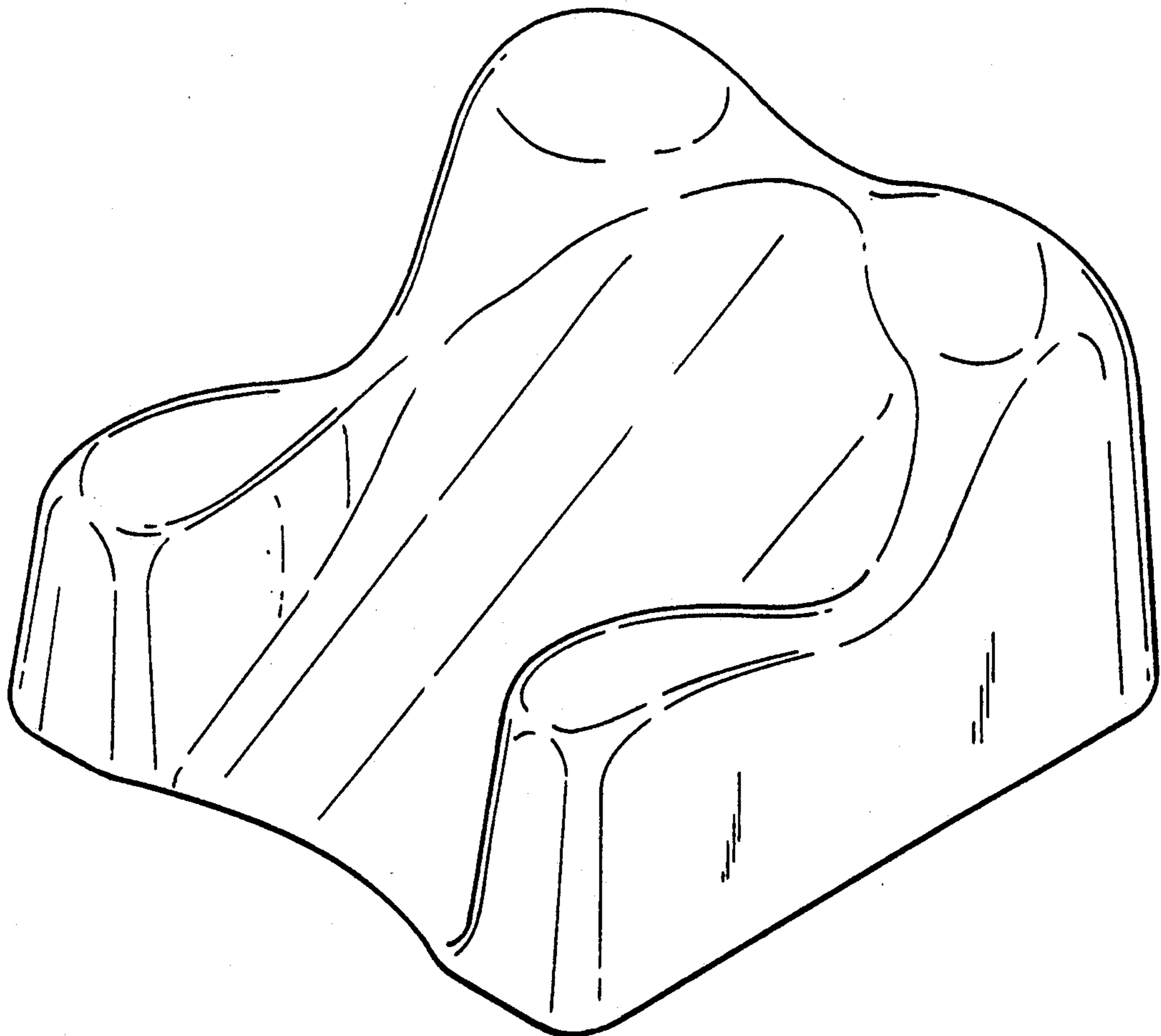


FIG. 1.

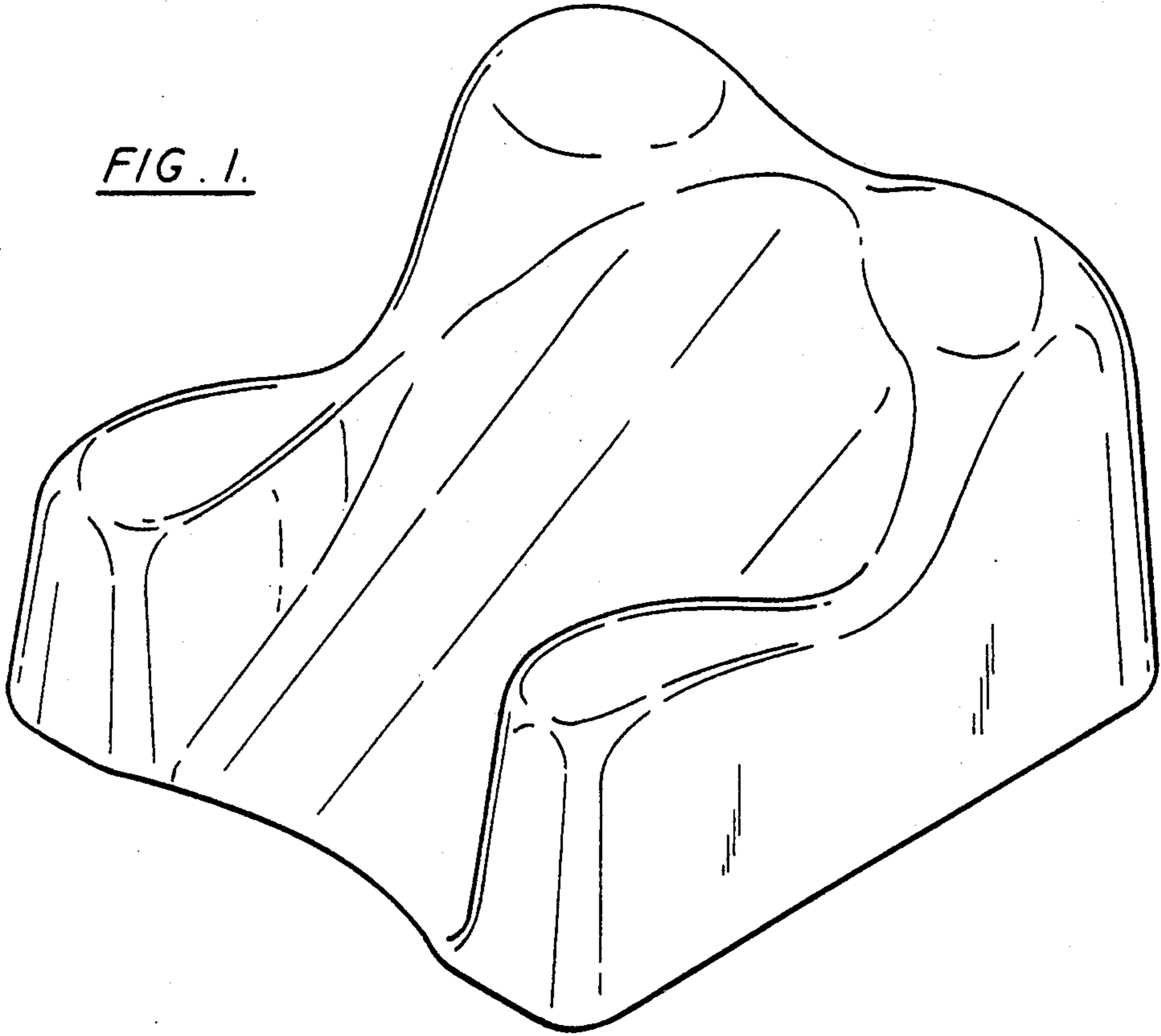


FIG. 2.

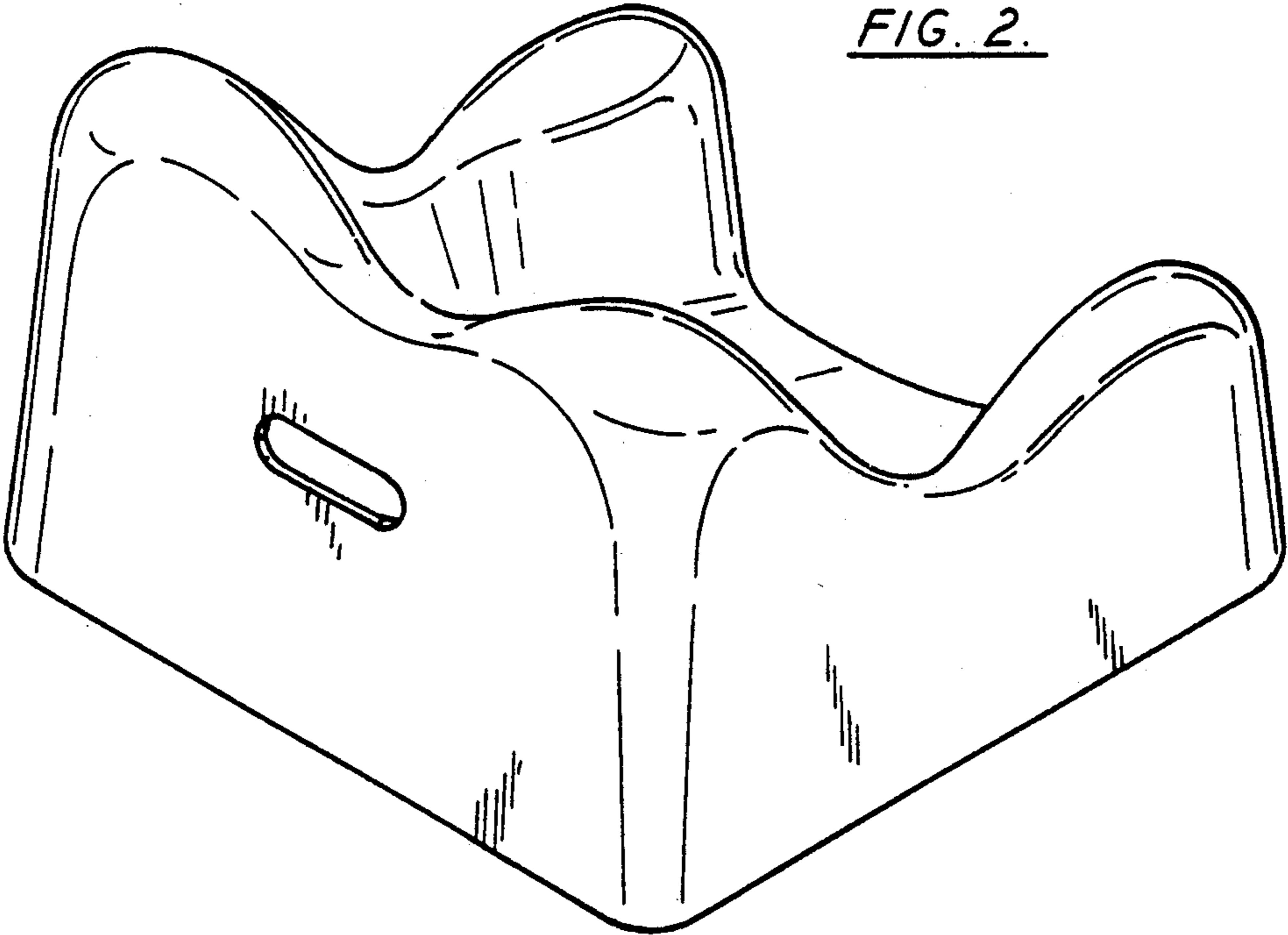


FIG. 3.

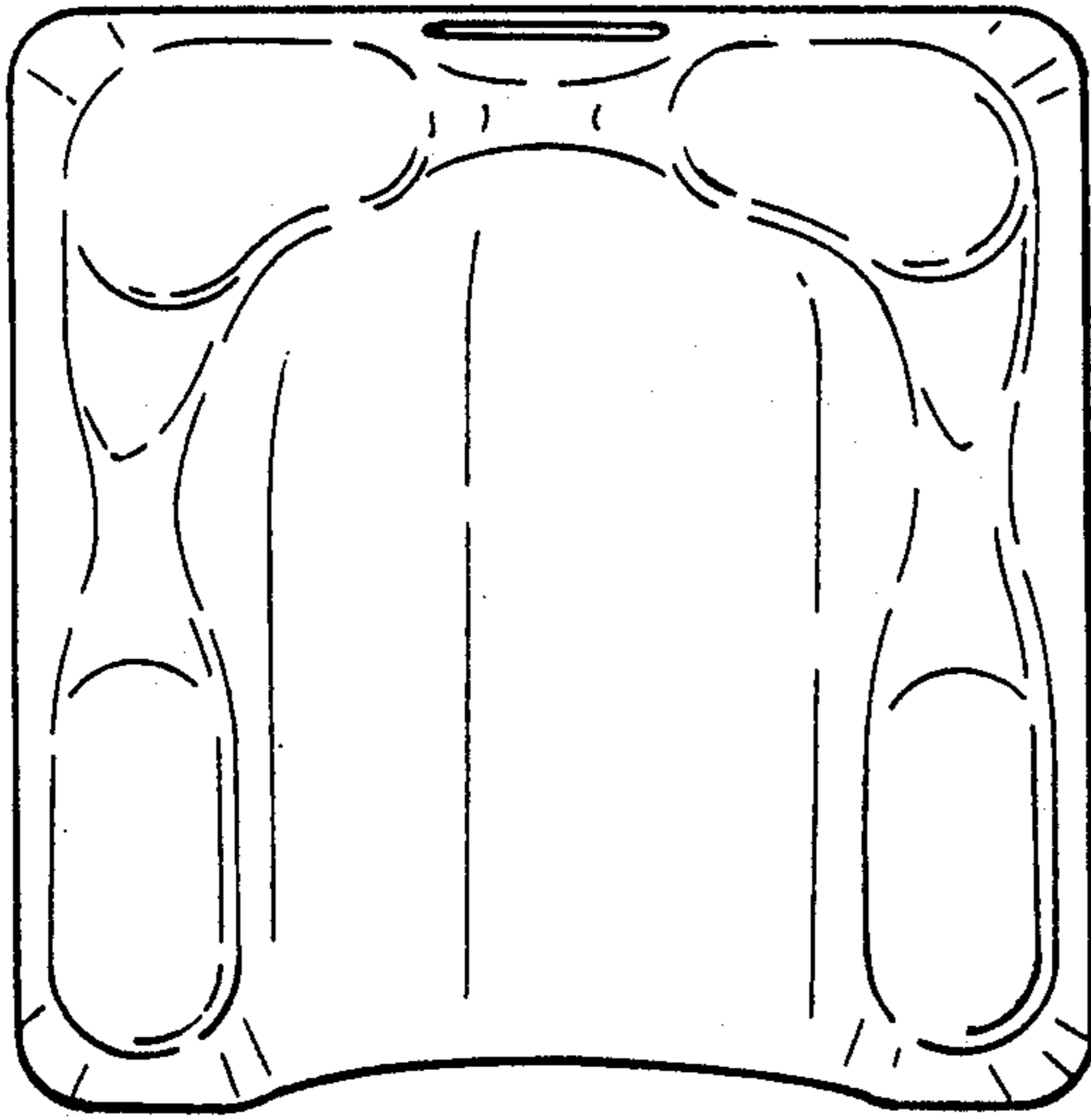


FIG. 4.

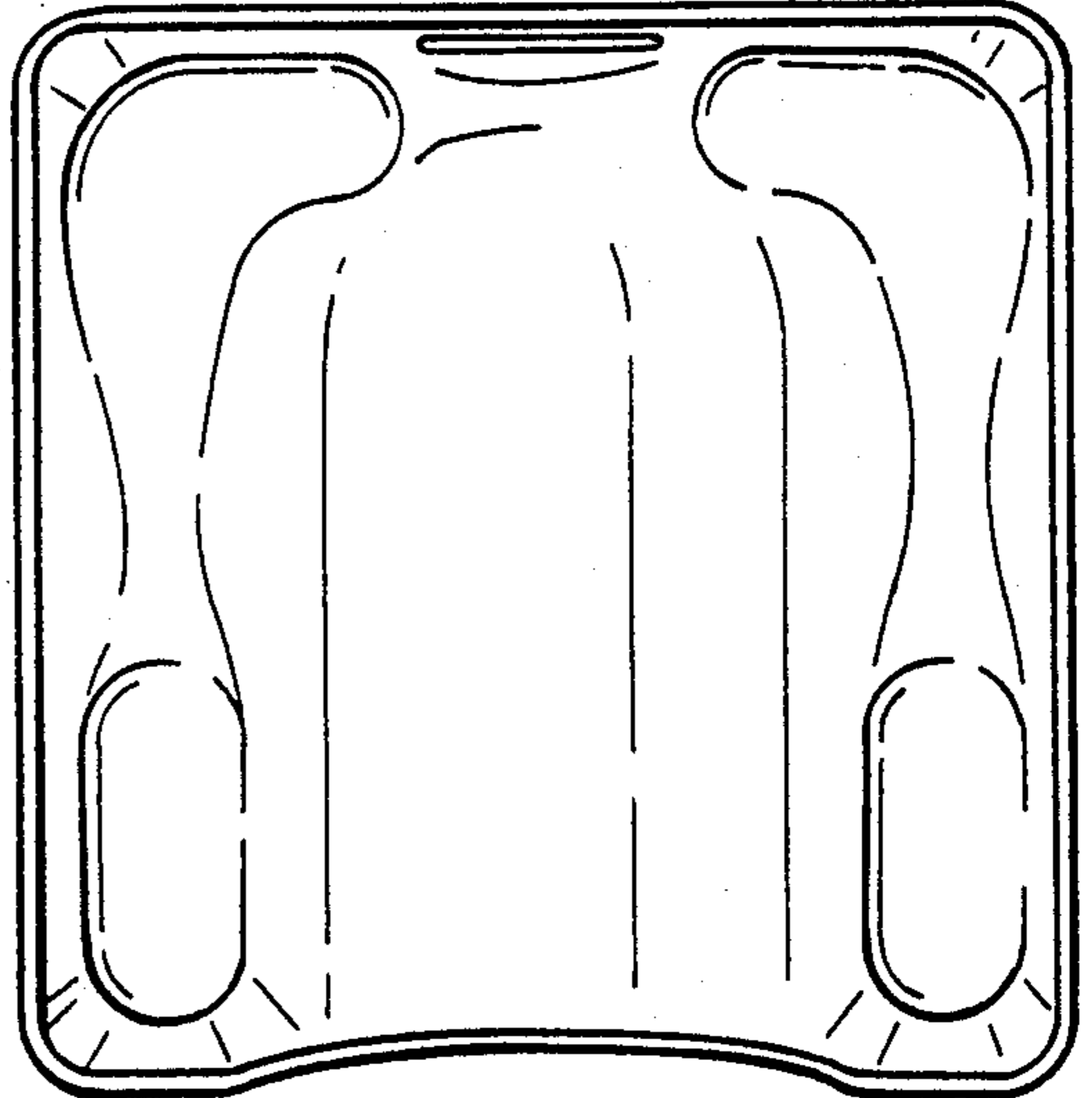


FIG. 5.

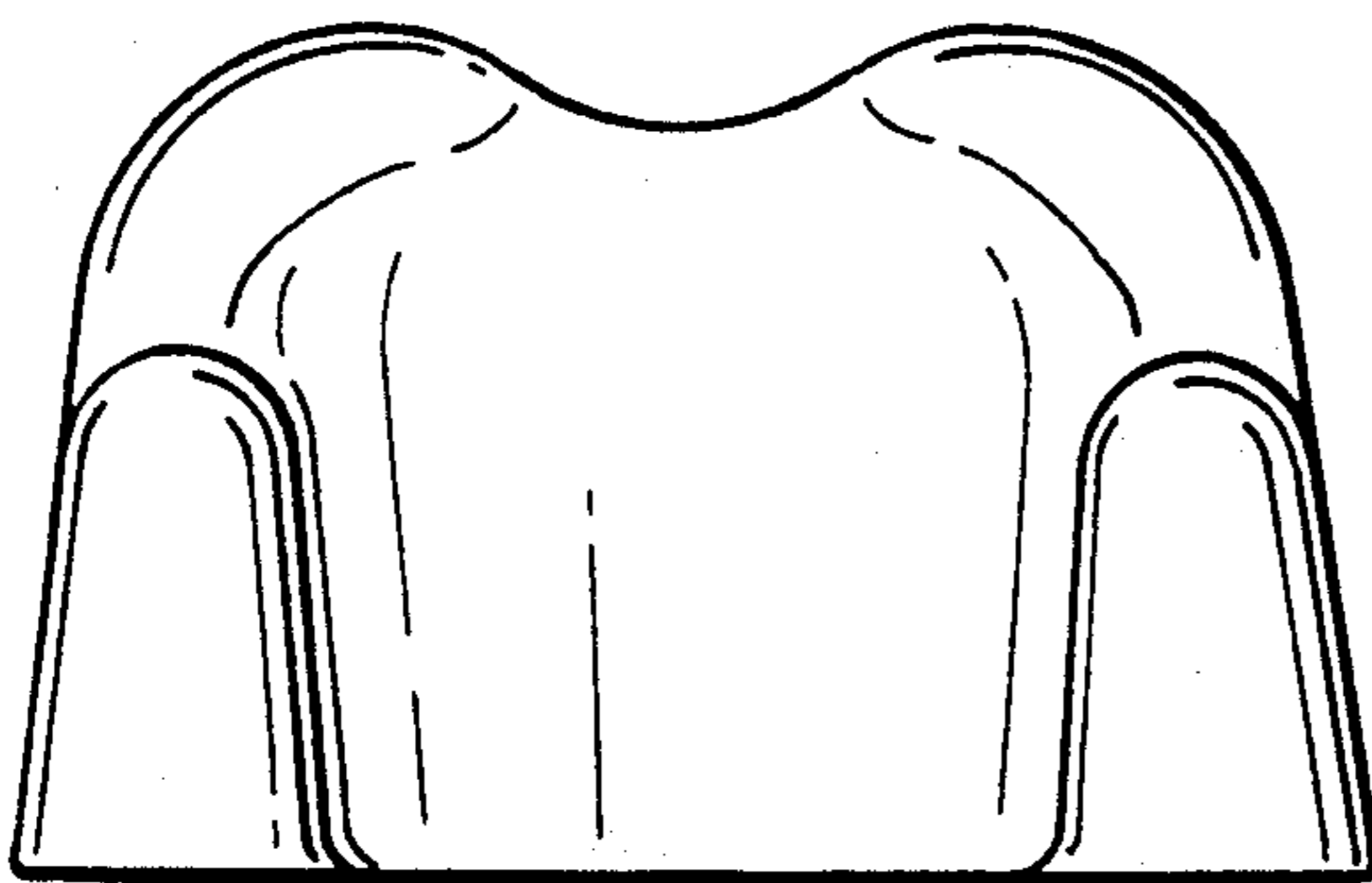


FIG. 6.

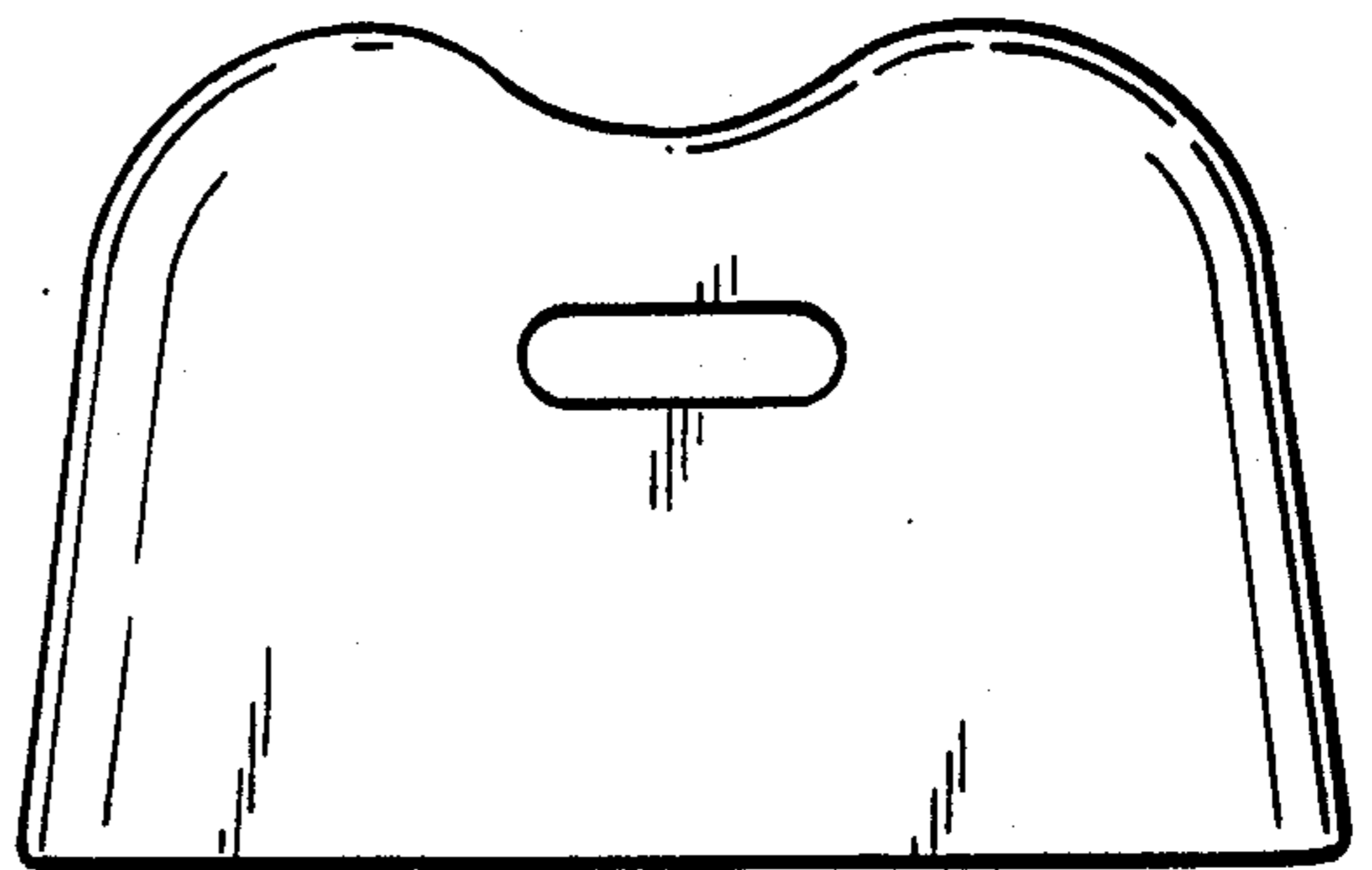


FIG. 7.

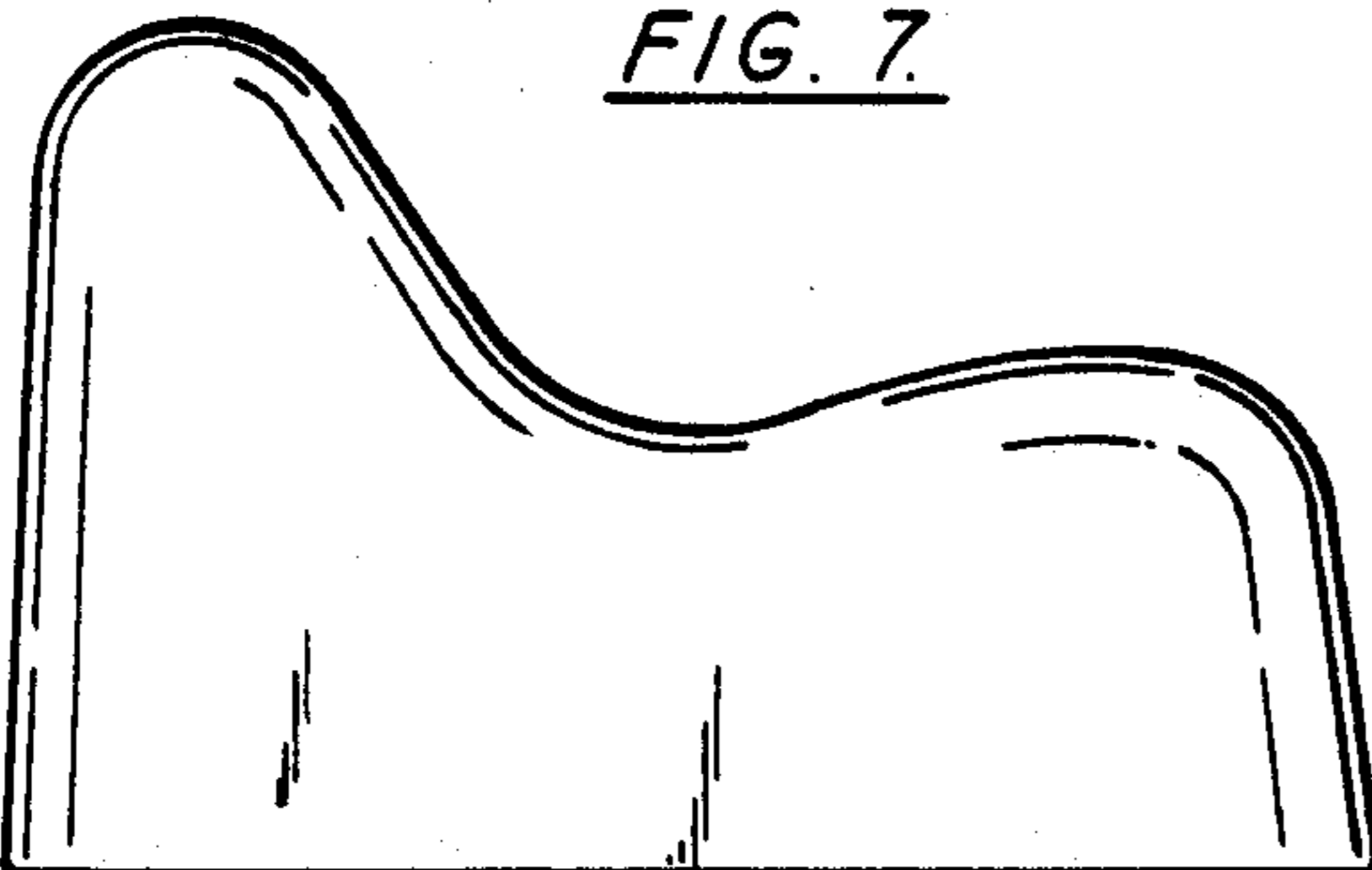


FIG. 8.

