



US00D326140S

United States Patent [19]

[11] Patent Number: **Des. 326,140**

Dekel

[45] Date of Patent: **** May 12, 1992**

[54] **GUTTER DRAIN**

3,876,322	4/1975	Deason	404/2
4,163,619	8/1979	Fales	405/49
4,365,911	12/1982	Rossberg	404/2 X
4,490,067	12/1984	Dahowski	404/4

[76] Inventor: **Joseph Dekel, 4532 Jubilo Dr., Tarzana, Calif. 91356**

[**] Term: **14 Years**

Primary Examiner—Brian N. Vinson
Attorney, Agent, or Firm—Charles H. Schwartz;
Ellsworth R. Roston

[21] Appl. No.: **341,587**

[57] CLAIM

[22] Filed: **Apr. 21, 1989**

The ornamental design for a gutter drain, as shown and described.

[52] U.S. Cl. **D23/267**

[58] Field of Search **D23/259-269;**
404/2-5; D25/119, 122; 445/43, 49

DESCRIPTION

[56] References Cited

U.S. PATENT DOCUMENTS

D. 9,891	4/1877	Starr, Jr.	D23/266
D. 16,877	8/1886	Briggs	D23/266
D. 219,877	2/1971	Thompson	D23/266 X
D. 264,116	4/1982	Södeström	D23/266
D. 349,968	8/1901	McRoy	D23/266
3,465,654	9/1969	Fox	404/4

FIG. 1 is a top, end, and side perspective view of a gutter drain showing my new design;
FIG. 2 is an enlarged end elevational view thereof, the opposite end being a mirror image of that shown;
FIG. 3 is a side elevational view thereof, the opposite side being a mirror image of that shown;
FIG. 4 is a top plan view thereof; and,
FIG. 5 is a bottom plan view thereof.

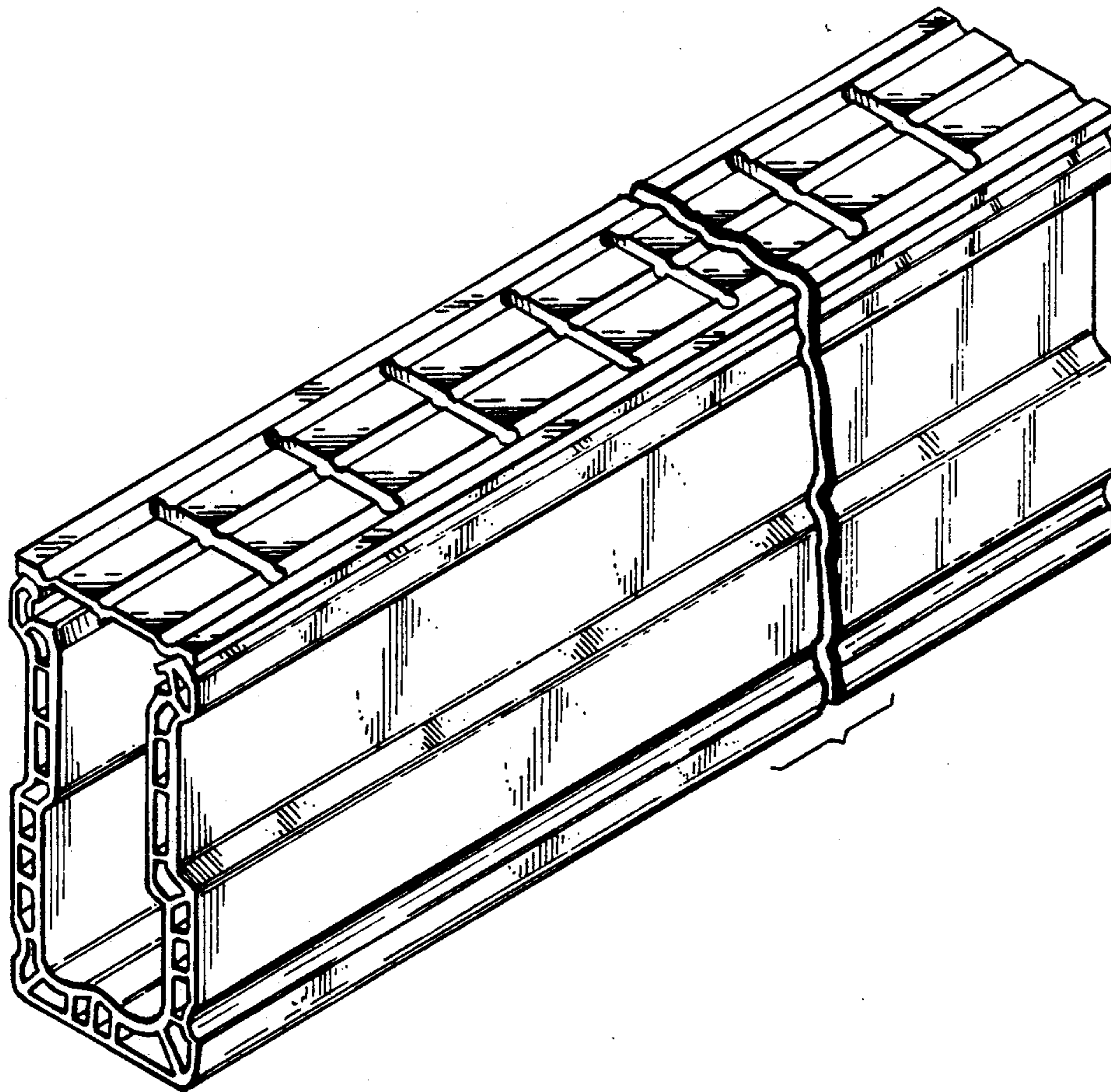


FIG. 1

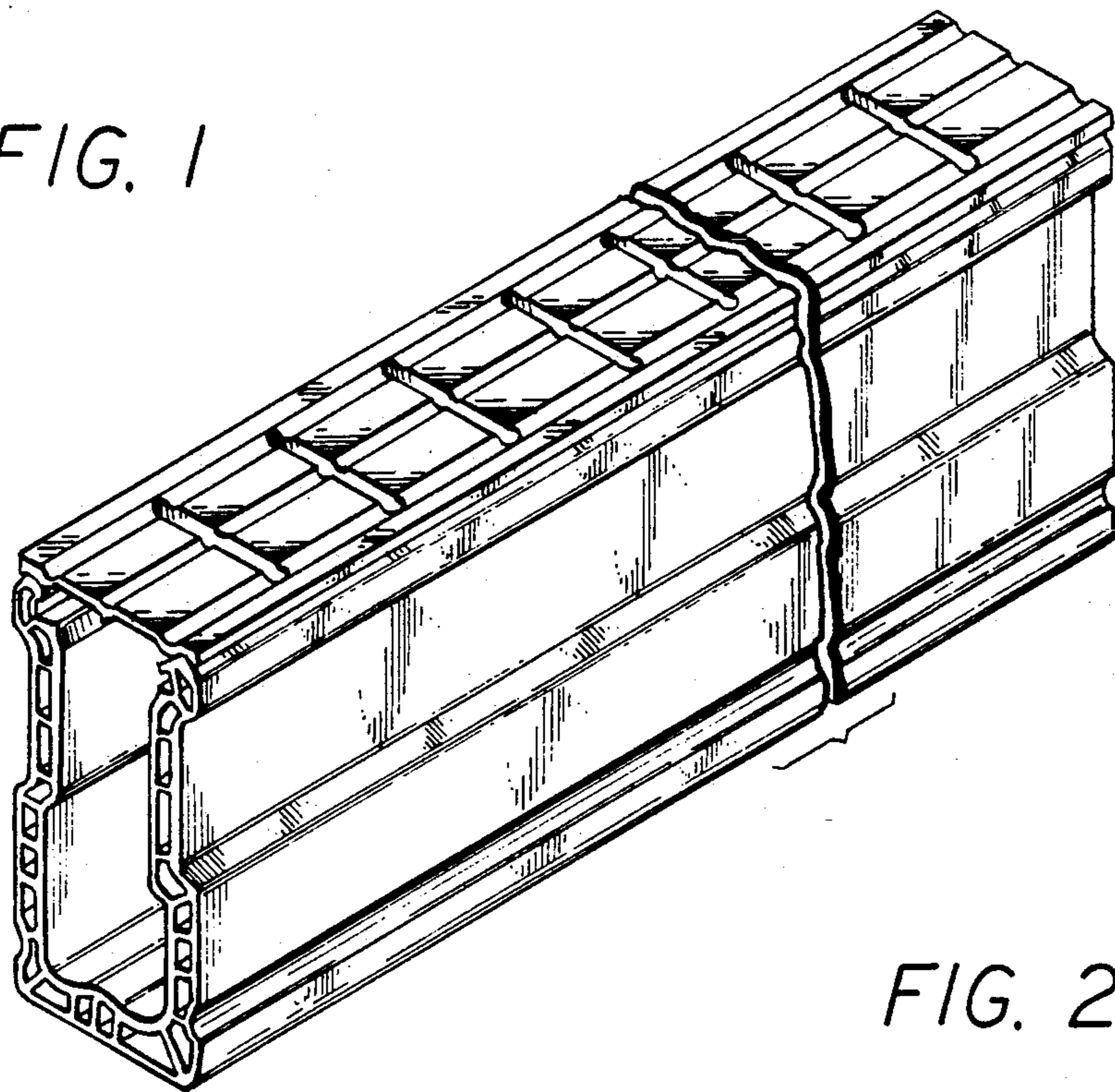


FIG. 2

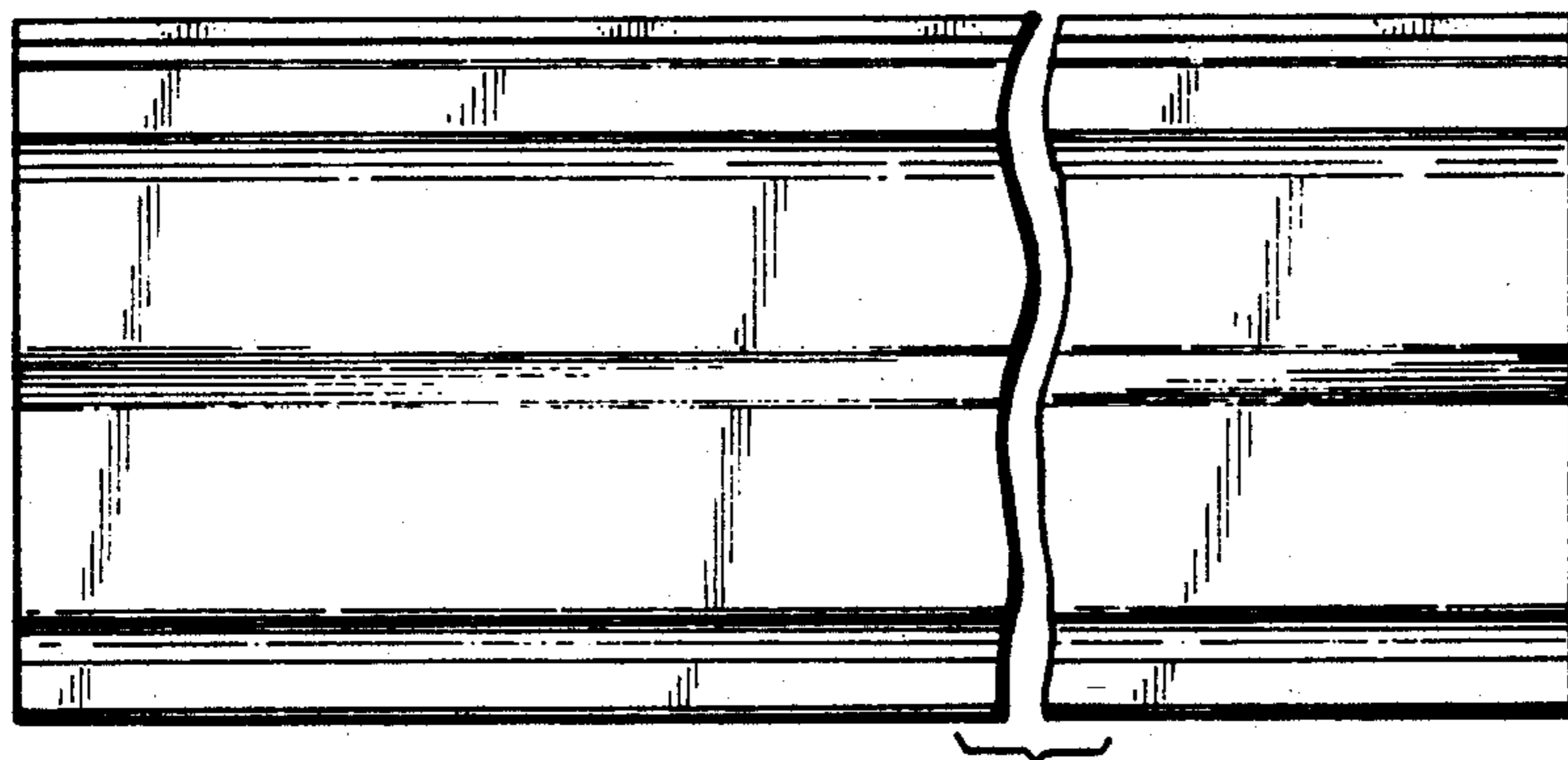
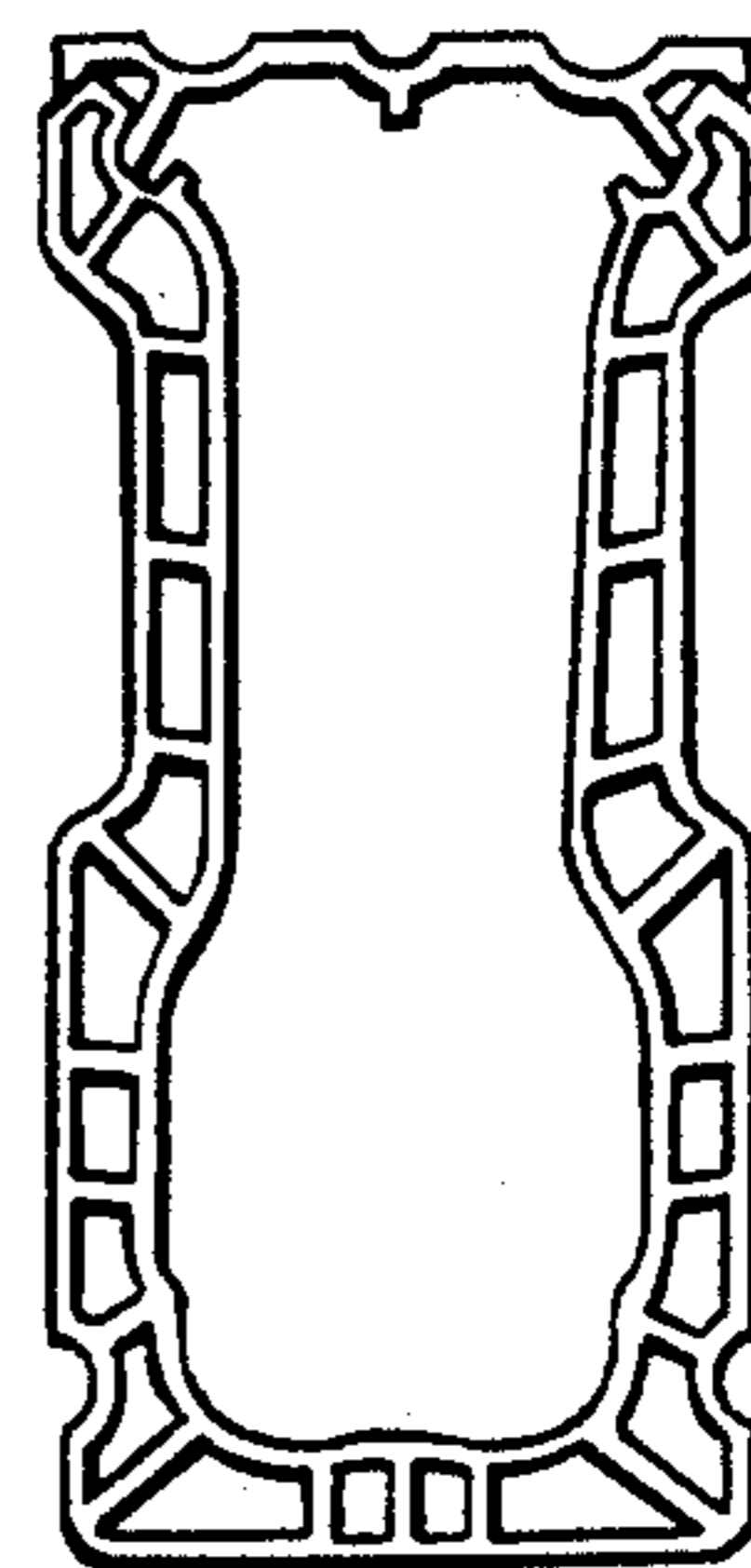


FIG. 3

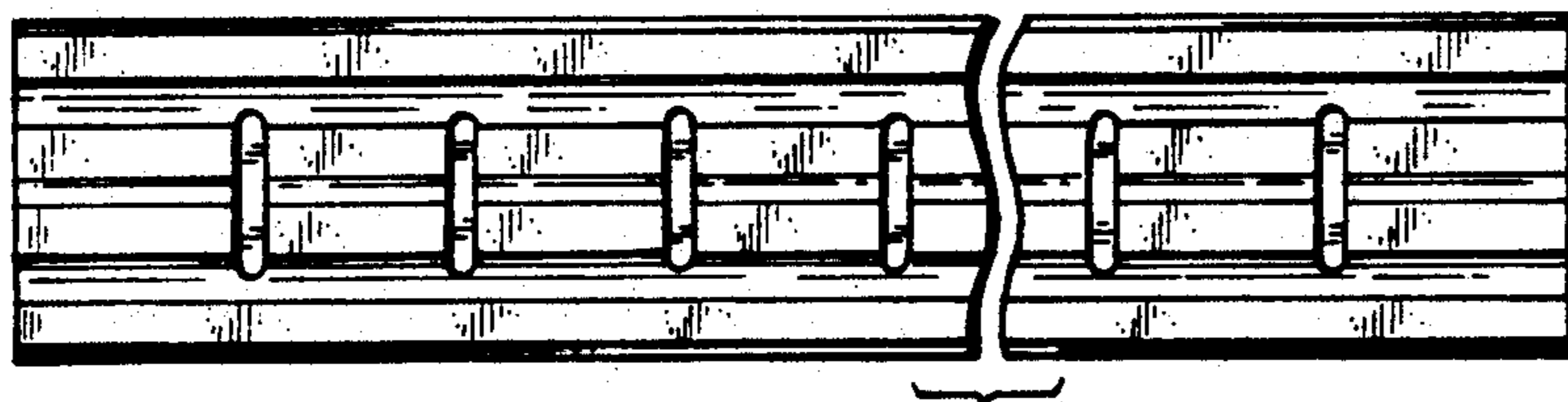


FIG. 4

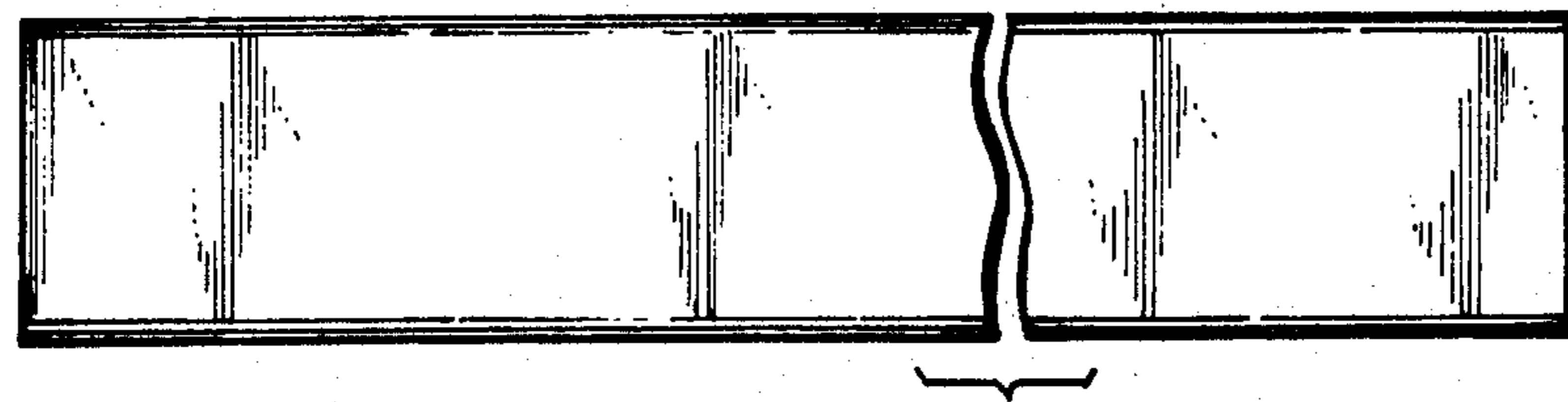


FIG. 5