



US00D326139S

United States Patent [19]

[11] Patent Number: **Des. 326,139**

Ragonot

[45] Date of Patent: **** May 12, 1992**

- [54] **PLUMBING FITTING HANDLE OR THE LIKE**
- [75] Inventor: **Christian M. Ragonot, Paris, France**
- [73] Assignee: **Jacob Delafon, Paris, France**
- [**] Term: **14 Years**
- [21] Appl. No.: **375,313**
- [22] Filed: **Jul. 3, 1989**
- [52] U.S. Cl. **D23/252**
- [58] Field of Search **D23/238-243, D23/250-254; D8/300, 307-312; 4/191, 192; 16/118, 121; 137/801**

Harden advertisement showing the 63-01-9-OB-B valve handle, undated (admitted prior art).
 American Standard advertisement showing the "Ceramic" valve handle, undated (admitted prior art).
 Benthor advertisement showing the "Type 112" valve handle, undated (admitted prior art).
 SOL advertisement entitled "Bellezze Al Bagno", undated (admitted prior art).
 Dornbracht advertisement from 1986 showing the "Cosima" line of fittings.

Primary Examiner—James R. Largen
Attorney, Agent, or Firm—Quarles & Brady

[57] CLAIM

The ornamental design for a plumbing fitting handle or the like, as shown and described.

DESCRIPTION

FIG. 1 is a perspective view taken from the top and left side of a plumbing fitting handle or the like showing my new design;
 FIG. 2 is another perspective view taken from the front and left side thereof;
 FIG. 3 is a left side elevational view thereof, the right side being a mirror image of the left side;
 FIG. 4 is a front elevational view thereof;
 FIG. 5 is a rear elevational view thereof;
 FIG. 6 is a top plan view thereof;
 FIG. 7 is a bottom plan view thereof;
 FIG. 8 is a cross-sectional view taken on line 8—8 of FIG. 6; and,
 FIG. 9 is a perspective view taken from the front and left side of a second embodiment thereof.

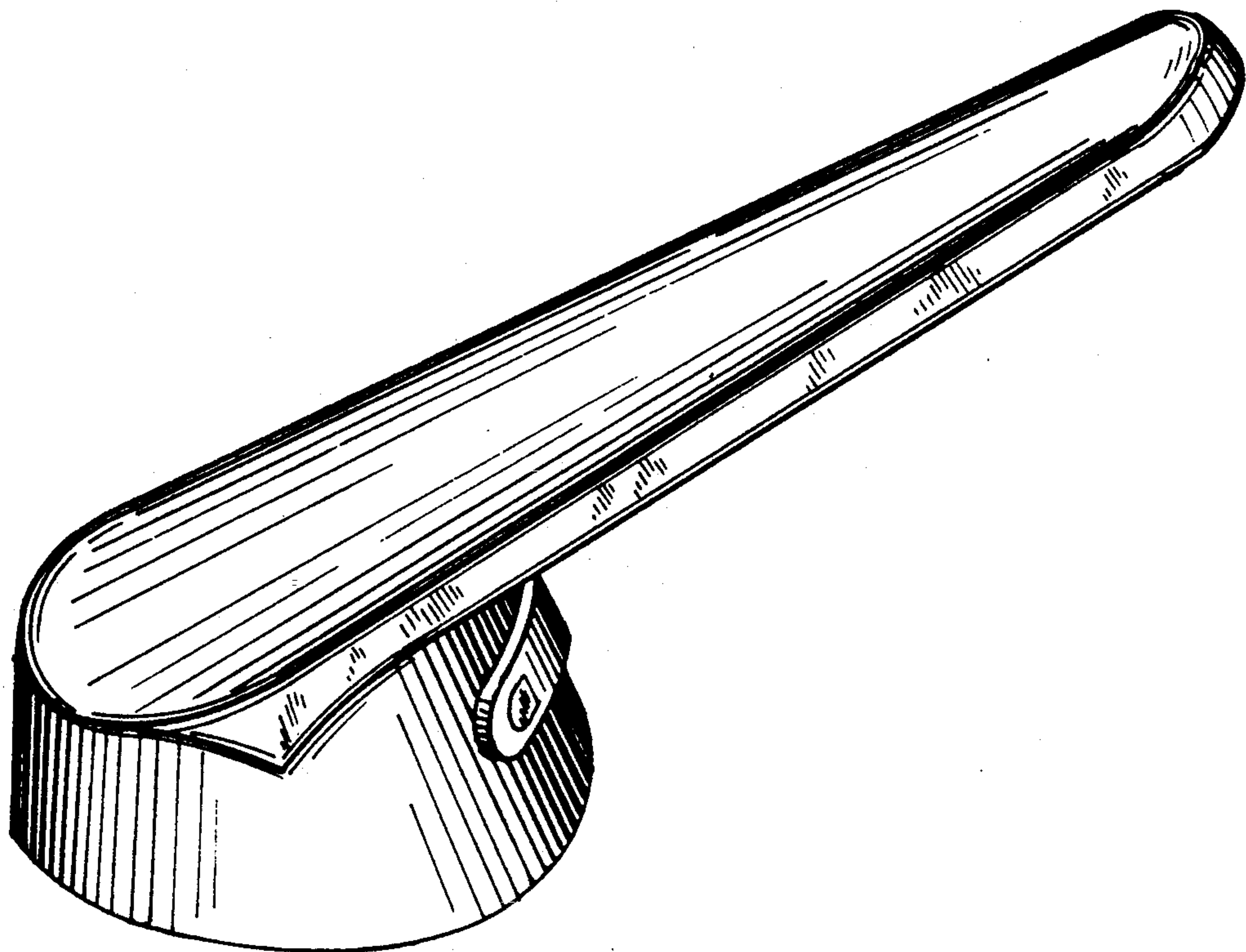
[56] References Cited

U.S. PATENT DOCUMENTS

D. 187,909	5/1960	Gonas et al.	D8/308
D. 219,739	1/1971	Niemann	D23/238
D. 219,779	1/1971	Tiller	D23/238
D. 219,780	1/1971	Niemann	D23/238
D. 223,913	6/1972	Niemann	D23/252
D. 227,465	6/1973	Genaro	D23/238
D. 254,088	1/1980	Haug	D23/252
D. 291,238	8/1987	Haug et al.	D23/252
D. 297,257	8/1988	Kohlar, Jr. et al.	D23/252
D. 297,357	8/1988	Spangler	D23/252
4,525,894	7/1983	Knapp	16/111 R

OTHER PUBLICATIONS

Page 264 from a Jacob Delafon catalog, undated, showing the "Surf" handle (admitted prior art).



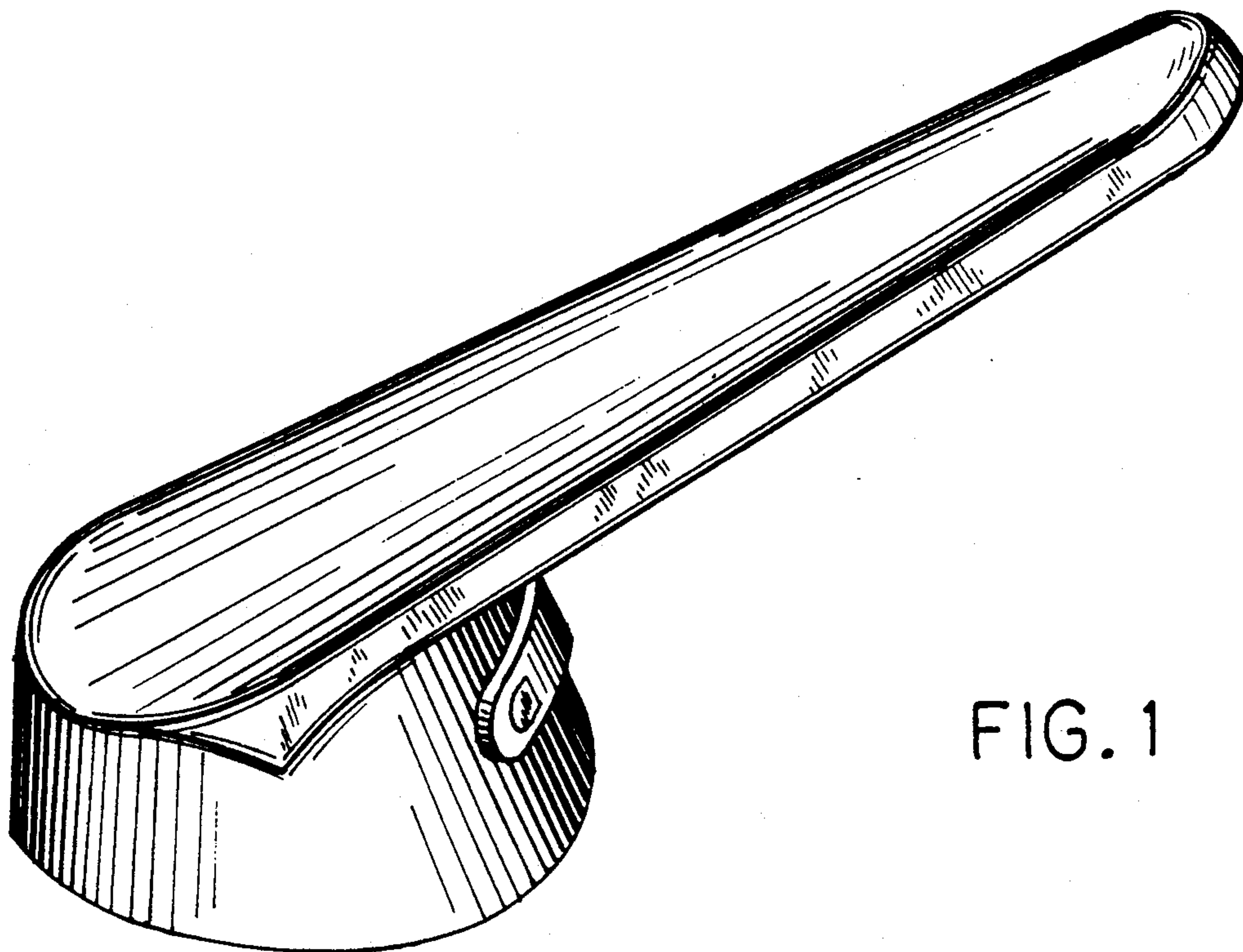


FIG. 1

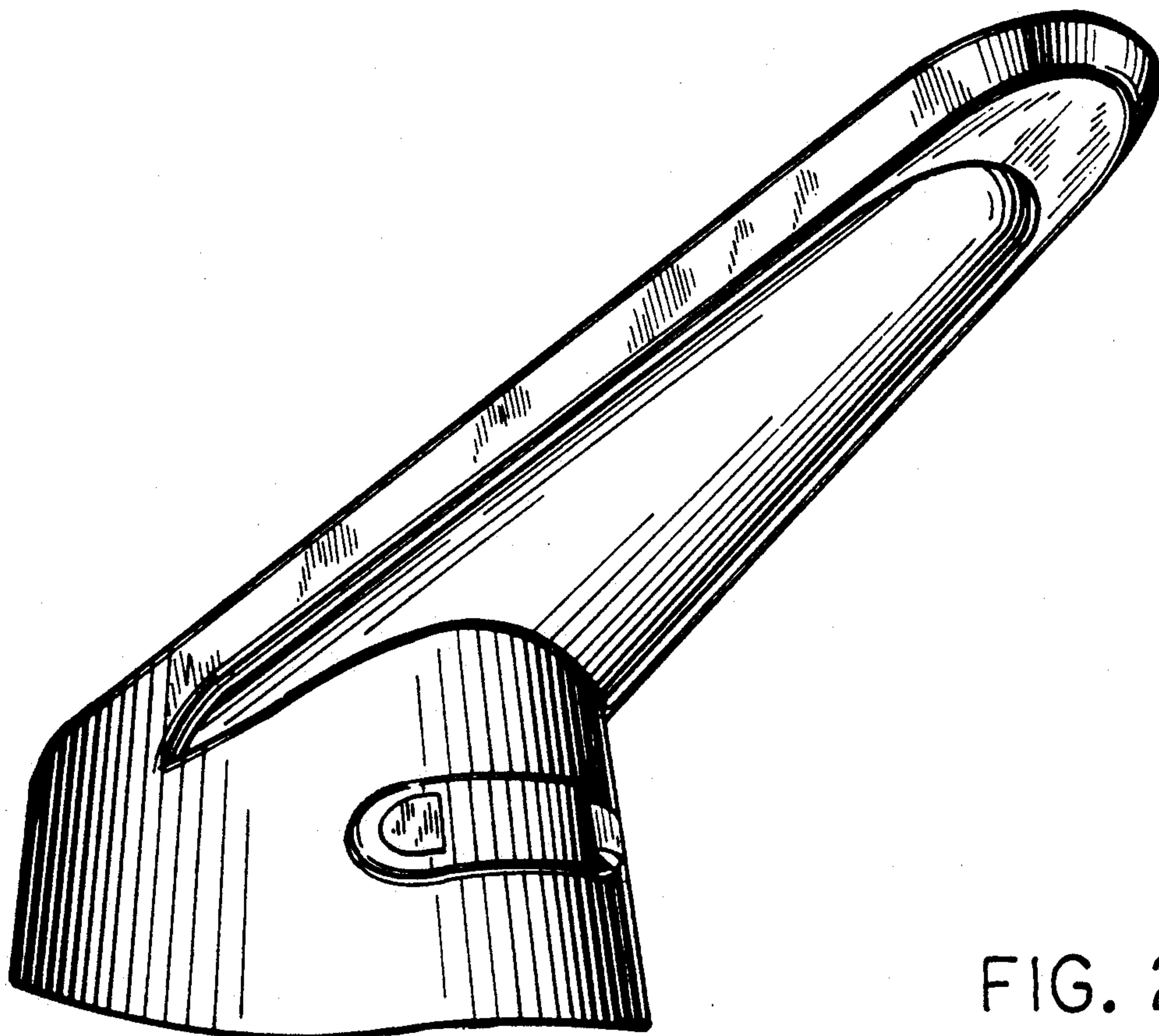


FIG. 2

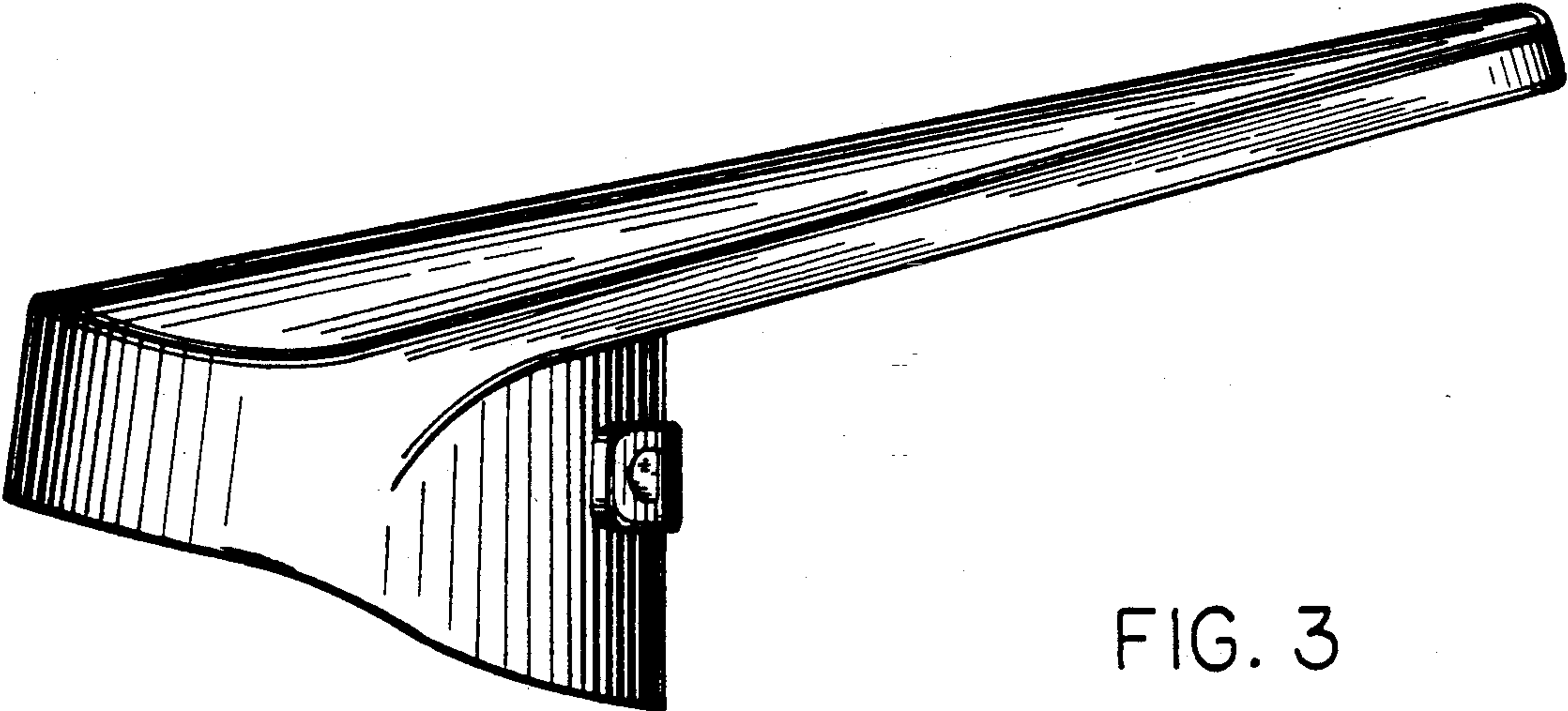


FIG. 3

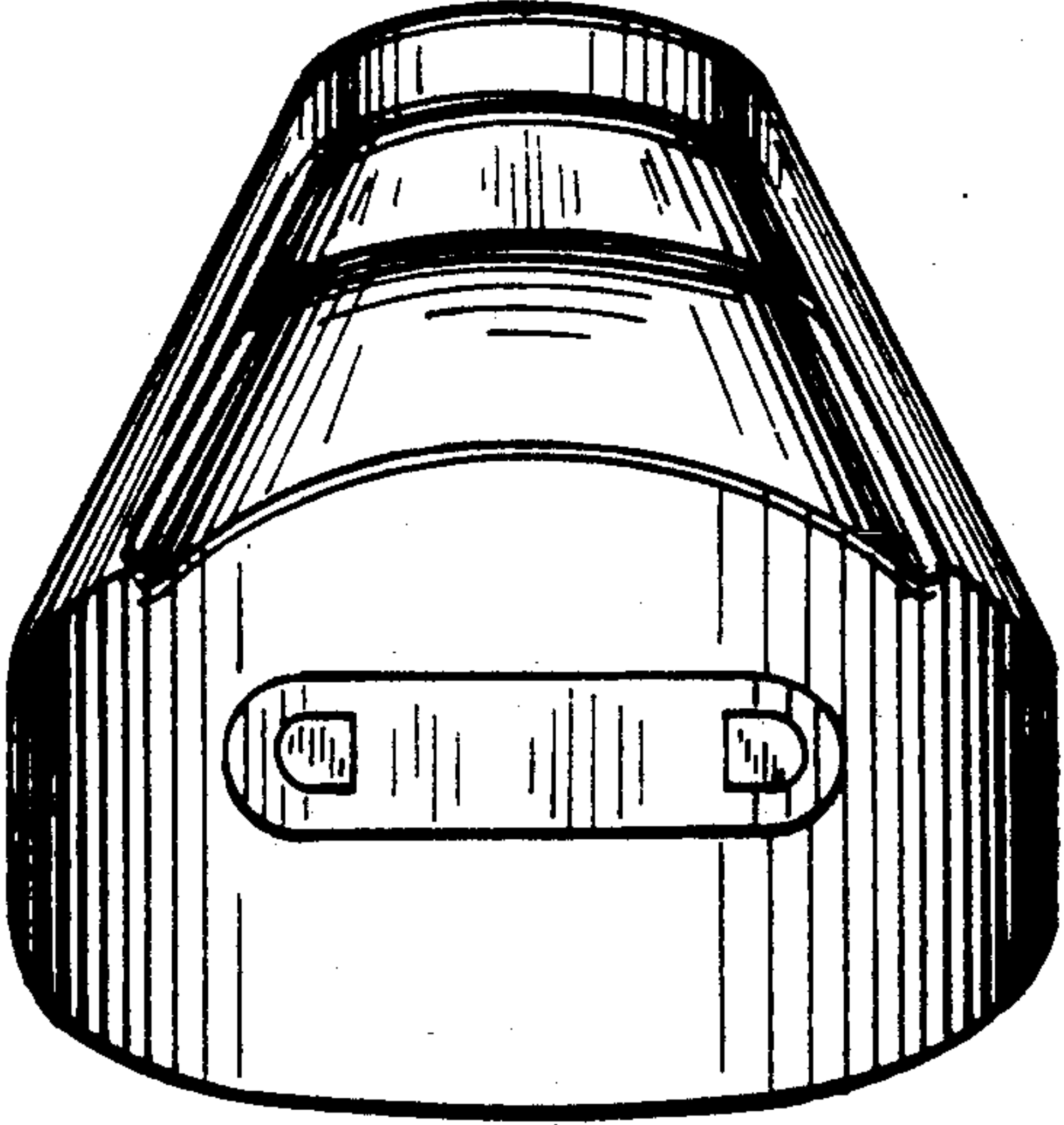


FIG. 4

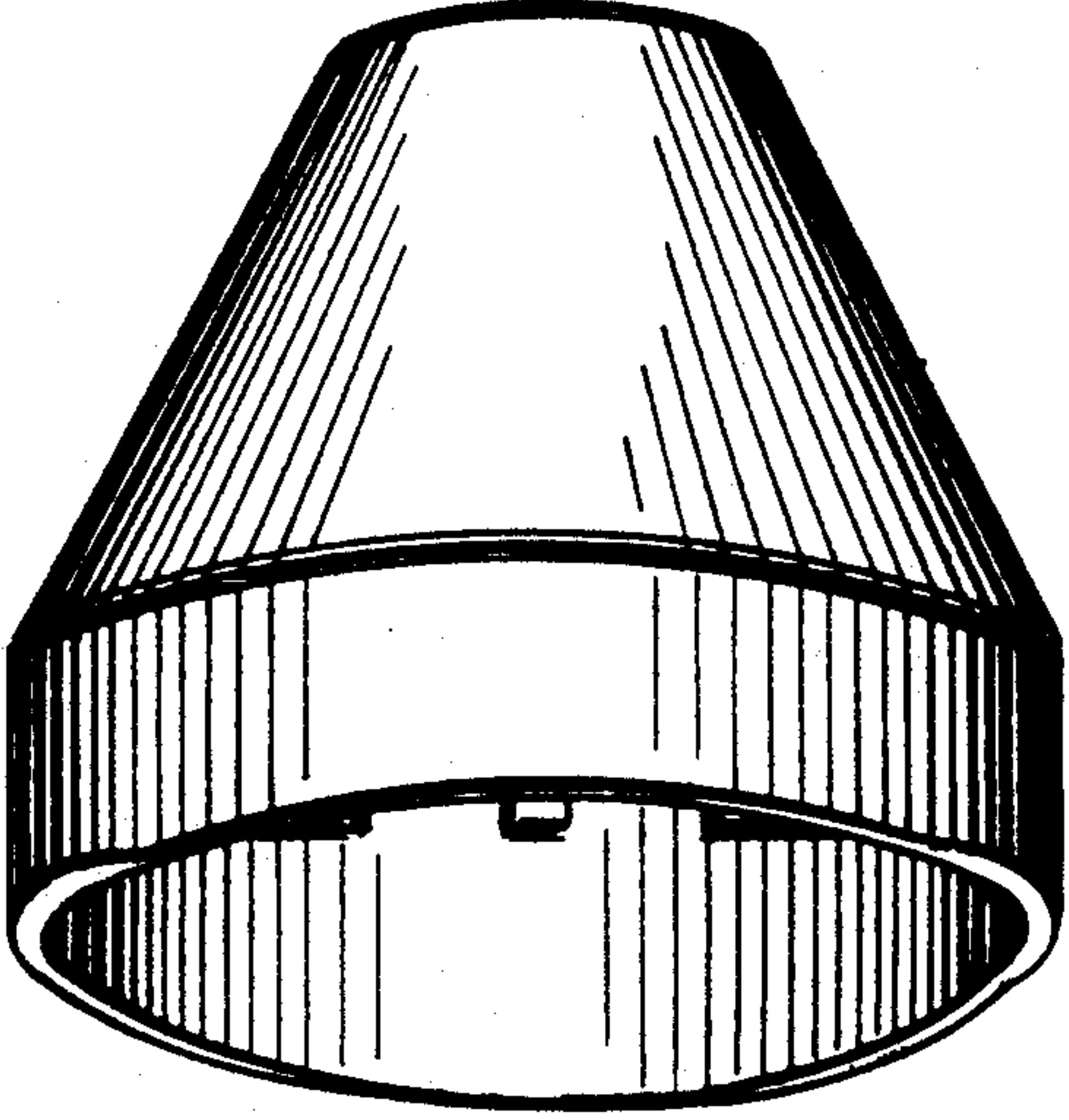
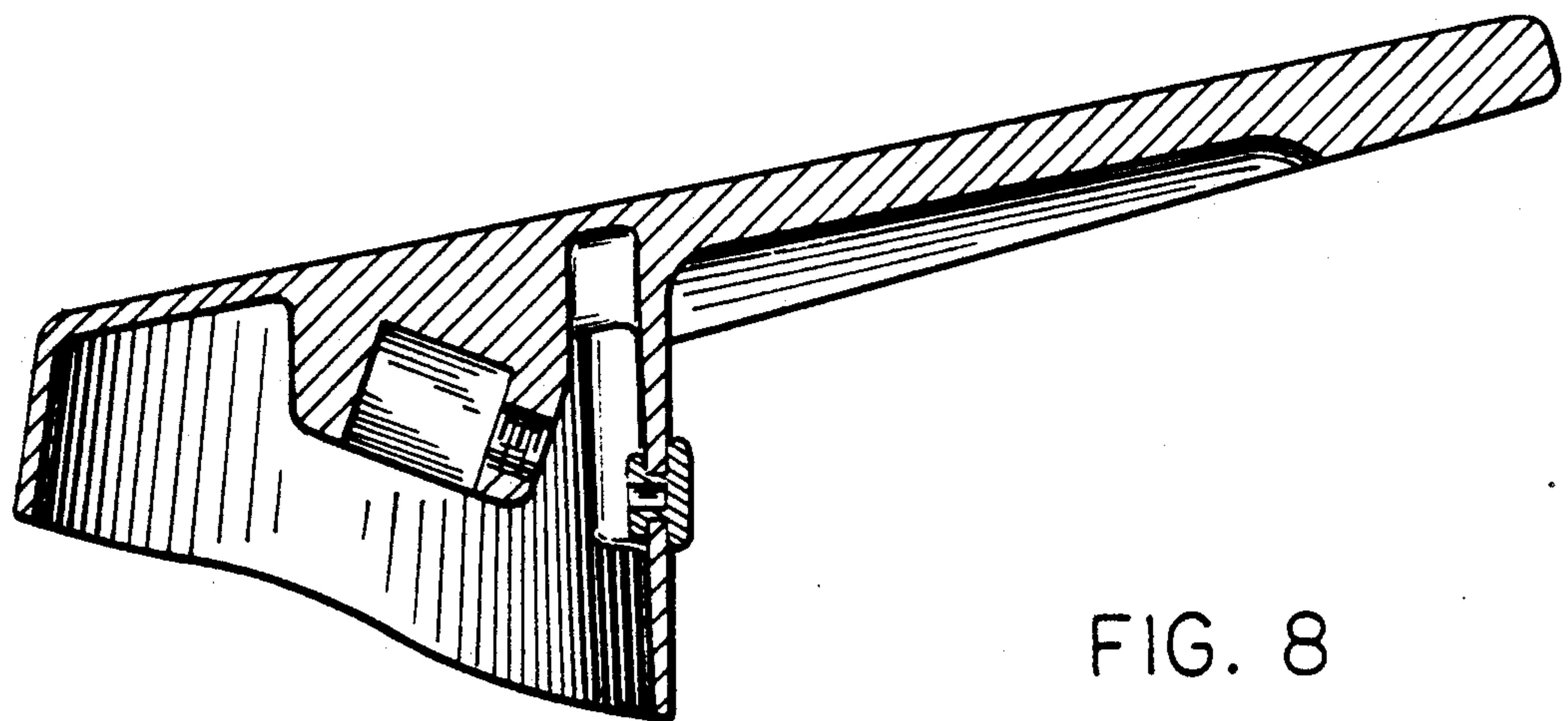
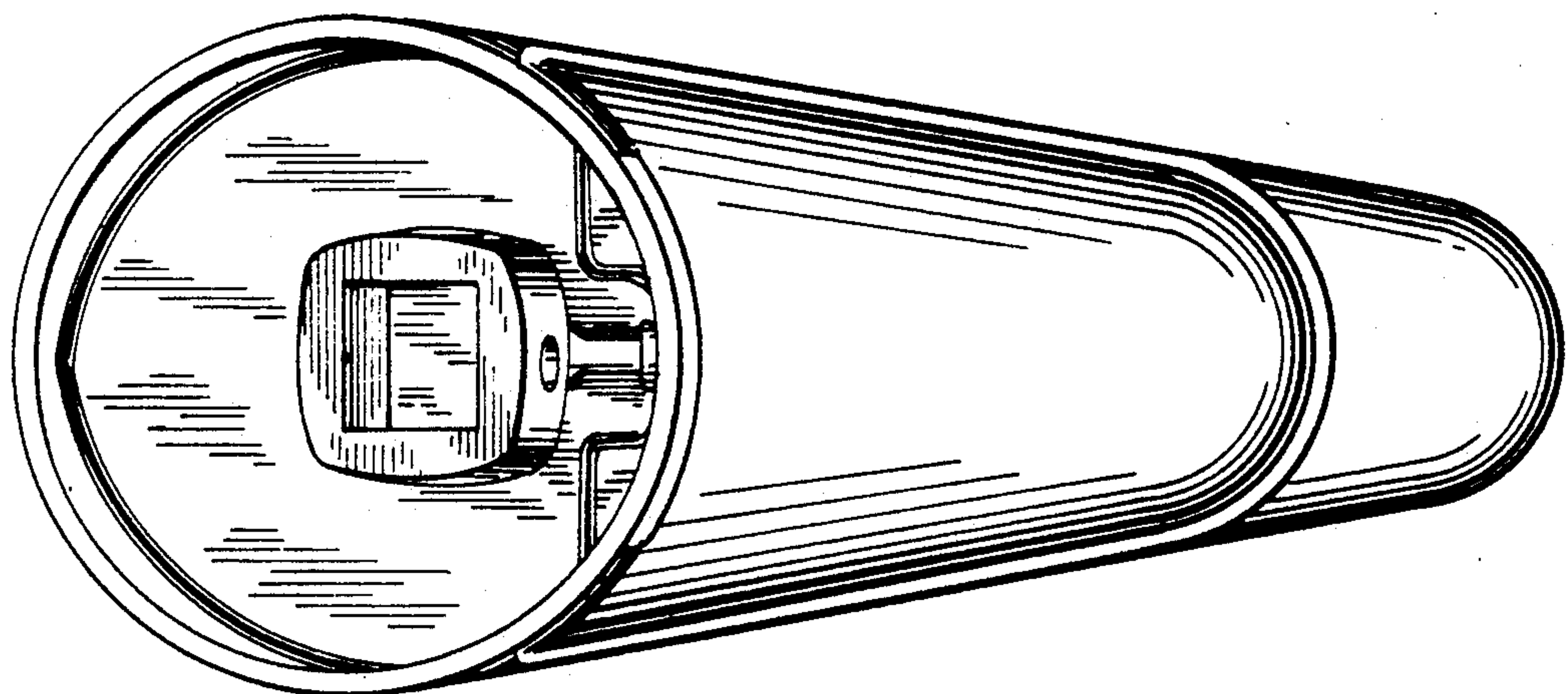
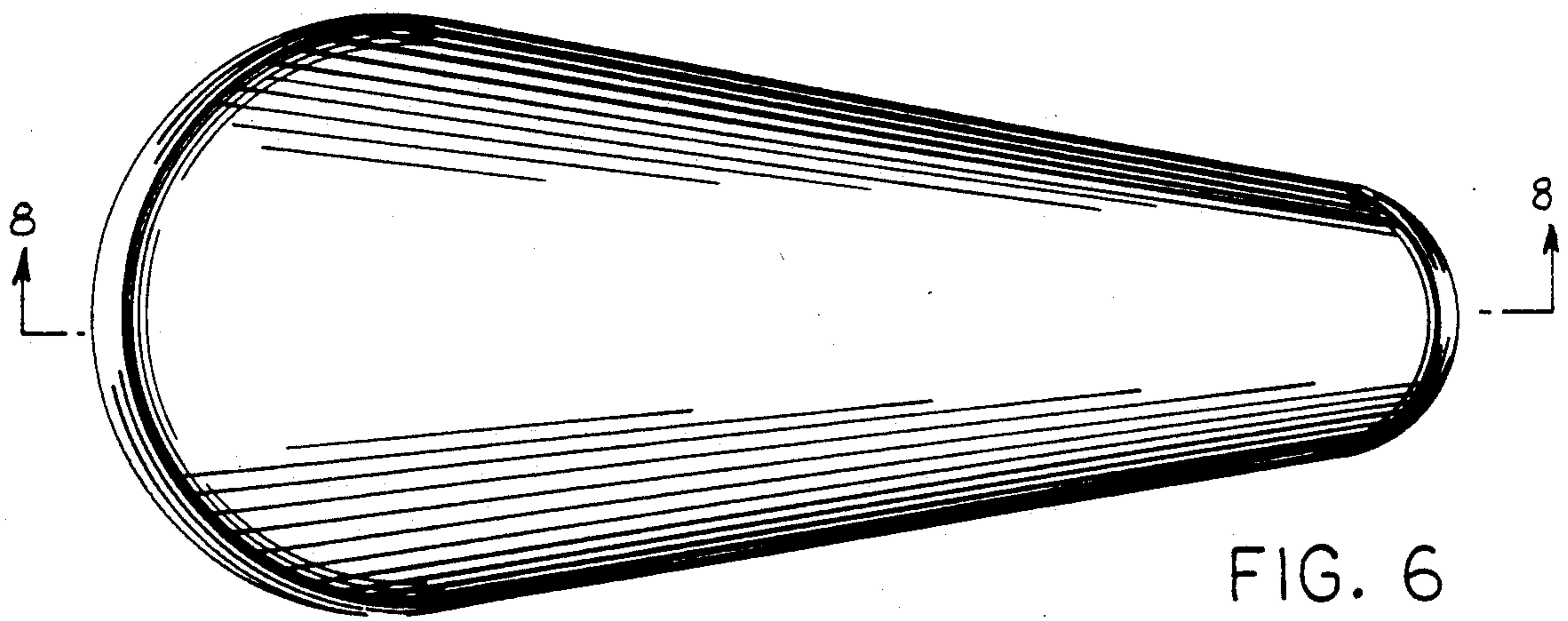


FIG. 5



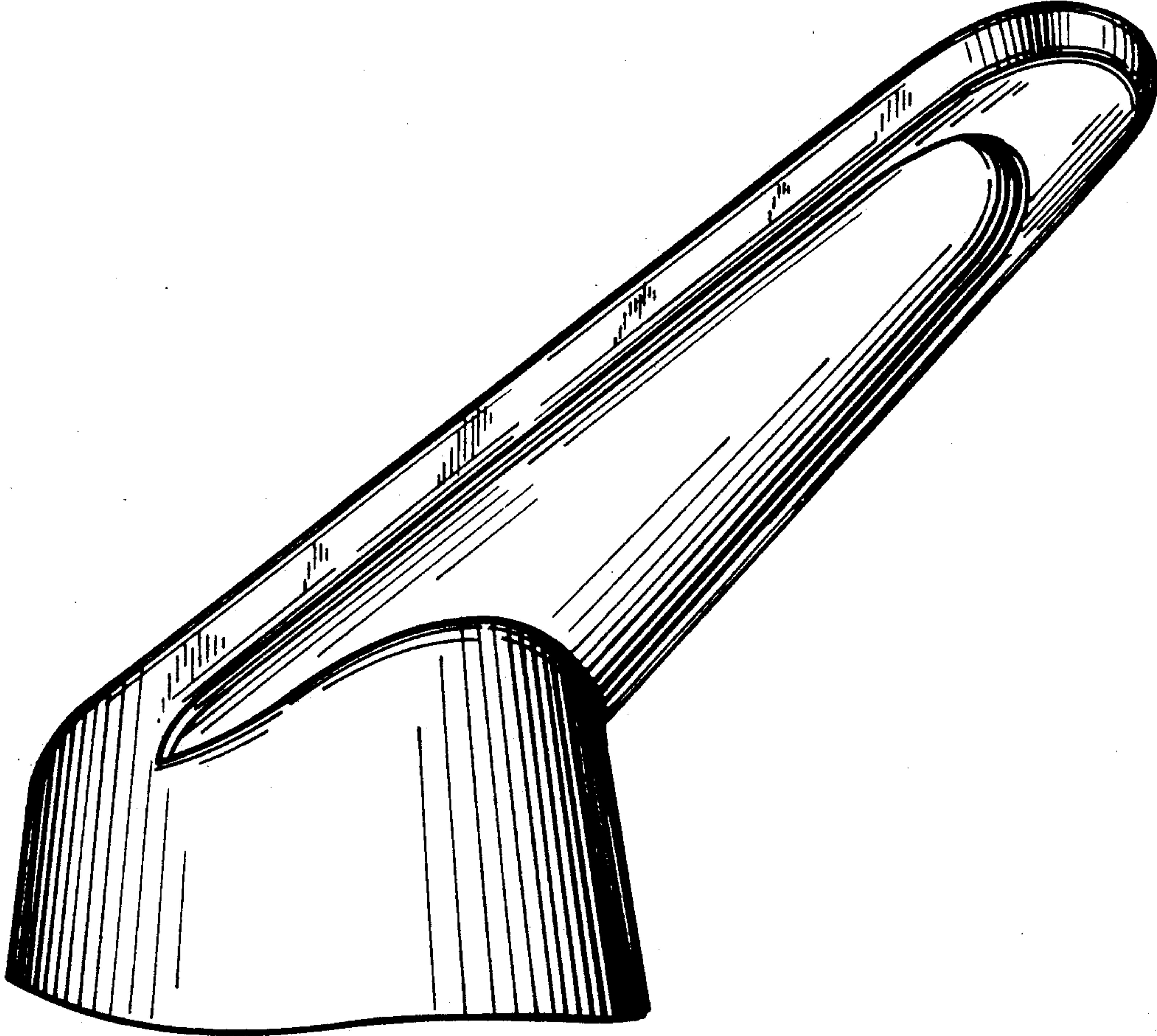


FIG. 9