



US00D326138S

United States Patent [19]

[11] Patent Number: **Des. 326,138**

Clivio

[45] Date of Patent: **** May 12, 1992**

[54] **SPRAYER**

[75] Inventor: **Franco Clivio, Zurich, Switzerland**

[73] Assignee: **Gardena Kress & Kastner GmbH, Fed. Rep. of Germany**

[**] Term: **14 Years**

[21] Appl. No.: **390,674**

[22] Filed: **Aug. 7, 1989**

[52] U.S. Cl. **D23/226**

[58] Field of Search **D23/213, 223-229; 239/301, 332, 337, 394, 414-415, 525-528, 532, 554, 556; D8/14.1, 68**

[56] **References Cited**

U.S. PATENT DOCUMENTS

D. 299,158	12/1988	Bender	D23/226
D. 315,014	2/1991	Clivio	D23/226
3,888,421	6/1975	Chow	239/526 X
3,893,621	7/1975	Johnson	239/415 X
4,427,153	1/1984	Schaefer	239/415 X
4,609,149	9/1986	Jessen	239/414 X

OTHER PUBLICATIONS

Advertising brochure of Sirotex, p. 7.
Advertising brochure, p. 22, of Gardena, Kress & Kast-

ner GmbH, Lichternseestrasse 40, D-7900 Ulm, Germany.

Advertising brochure of Wolf Geräte, p. 46.

Advertising brochure of Nelson, p. 17.

Advertising brochure of Hozelock.

Advertising brochure of Gardena, pp. 19-20.

Primary Examiner—Susan J. Lucas

Assistant Examiner—M. H. Tung

Attorney, Agent, or Firm—Eckert Seamans Cherin & Mellott

[57] **CLAIM**

The ornamental design for a sprayer, as shown and described.

DESCRIPTION

FIG. 1 is a side perspective view of a sprayer showing my new design;

FIG. 2 is a side elevational view thereof;

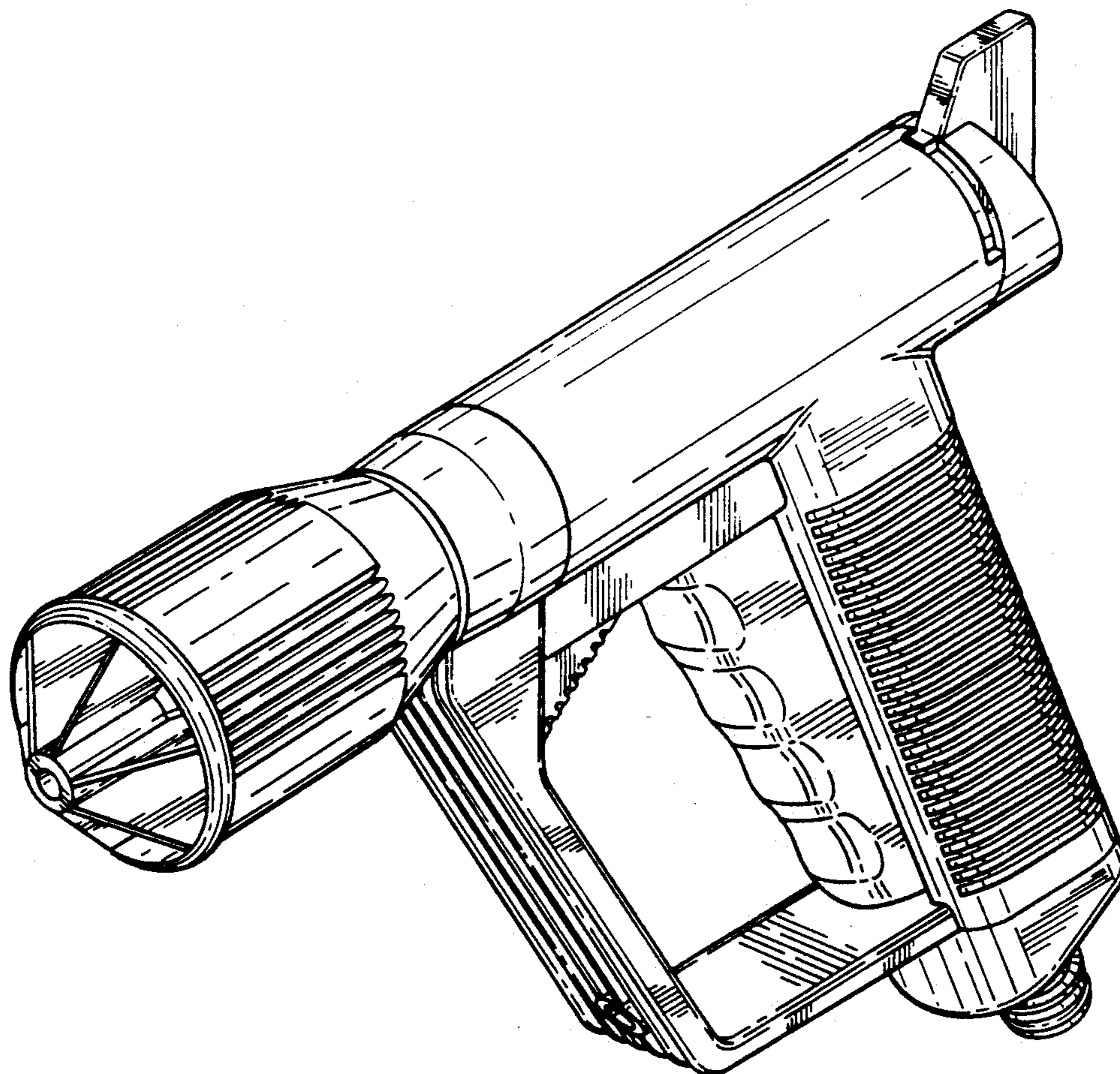
FIG. 3 is a top plan view thereof;

FIG. 4 is a bottom plan view thereof;

FIG. 5 is an opposite side elevational view thereof;

FIG. 6 is a front elevational view thereof; and,

FIG. 7 is a rear elevational view thereof.



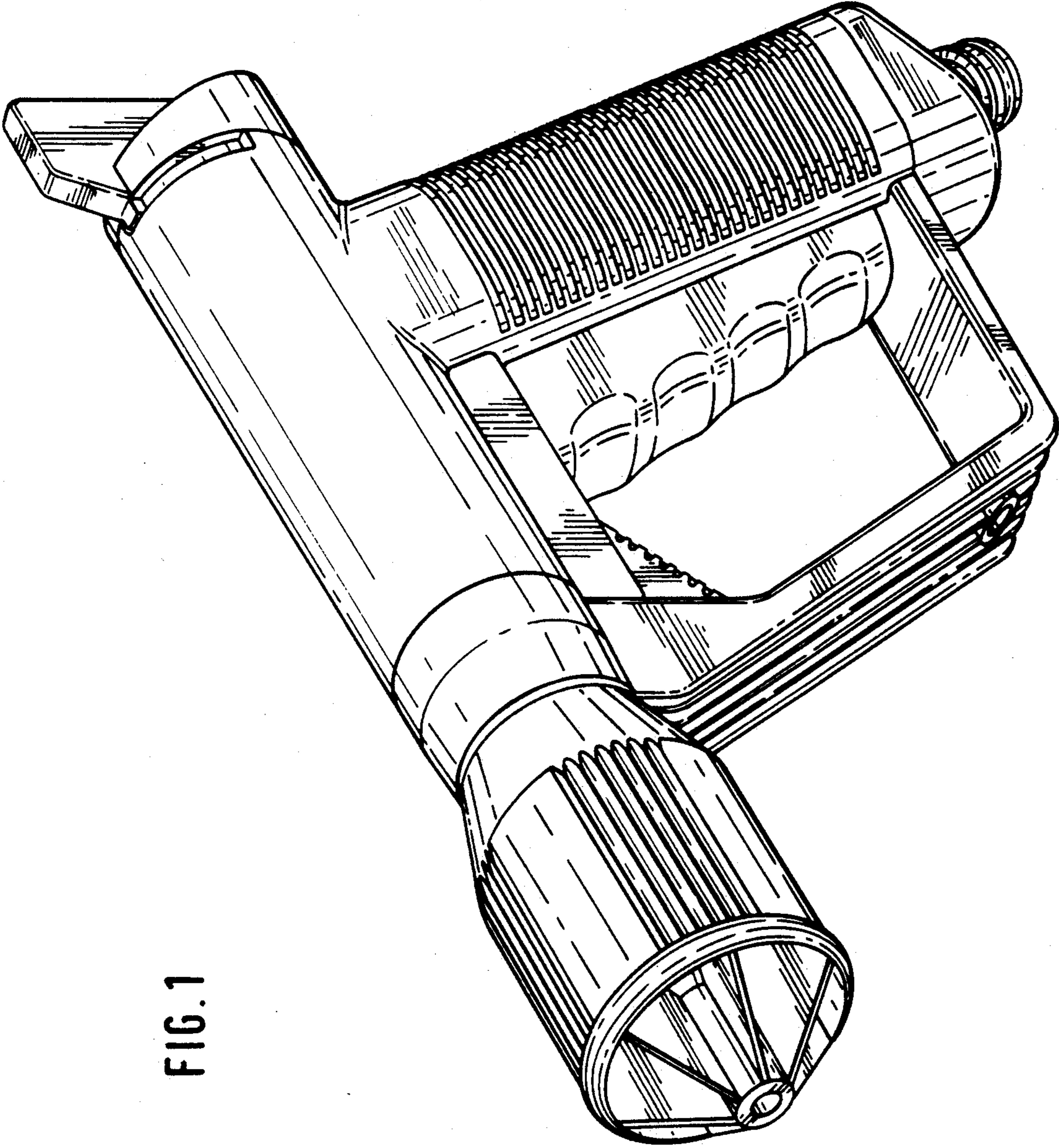


FIG. 1

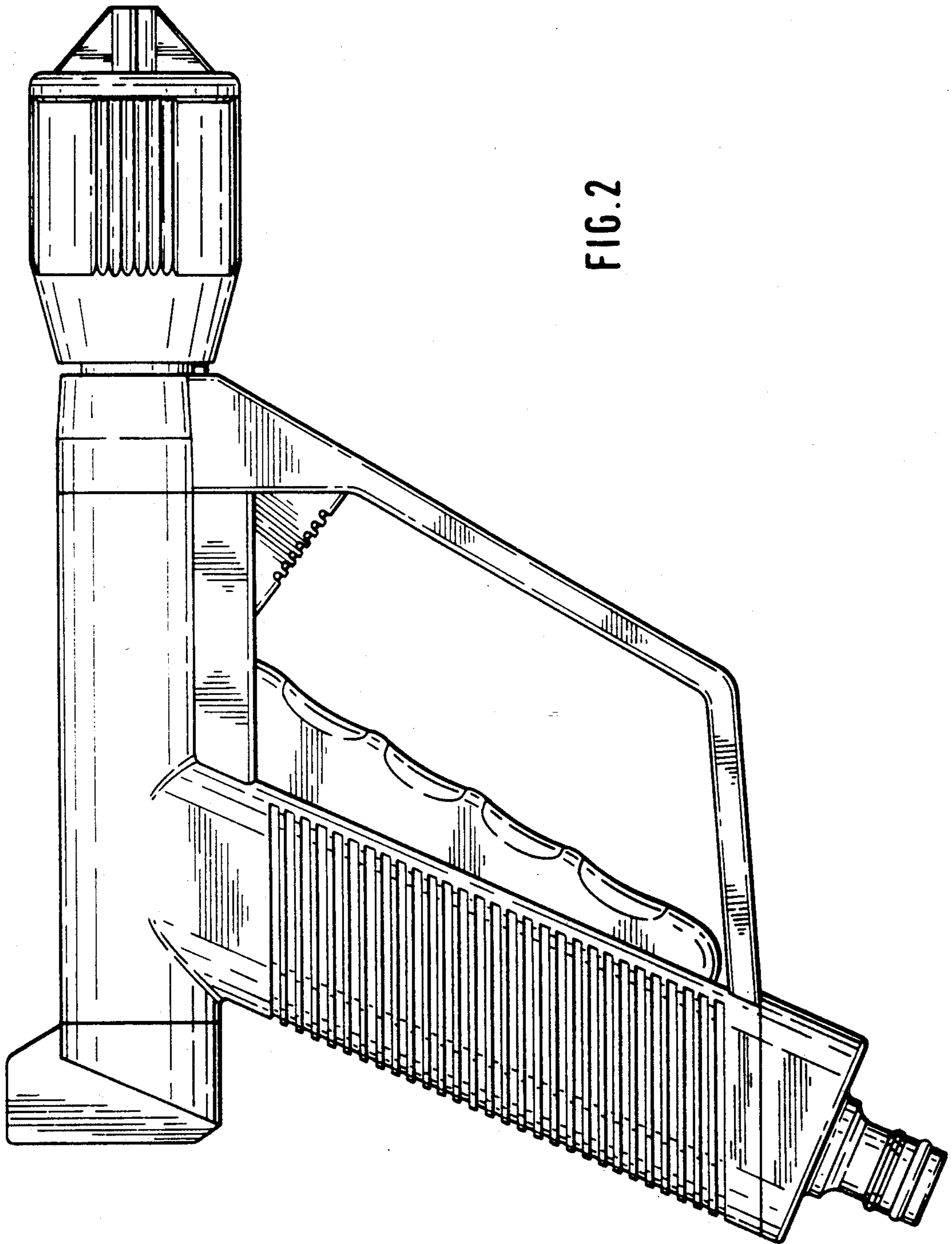


FIG. 2

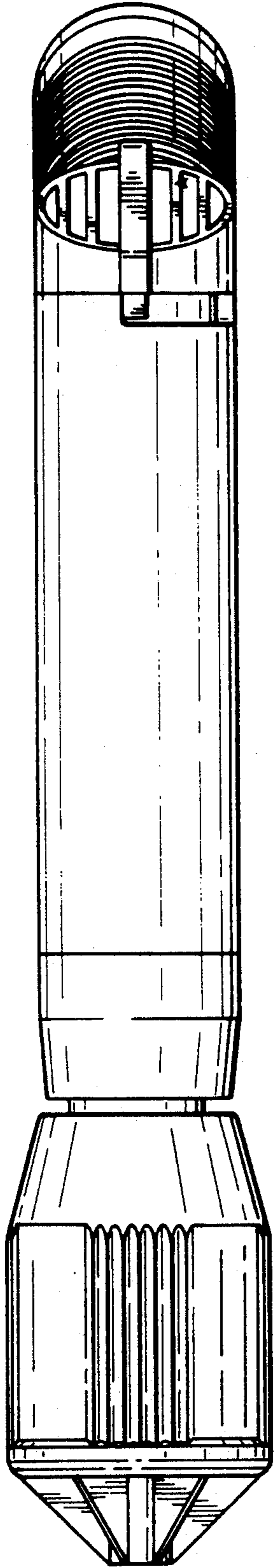
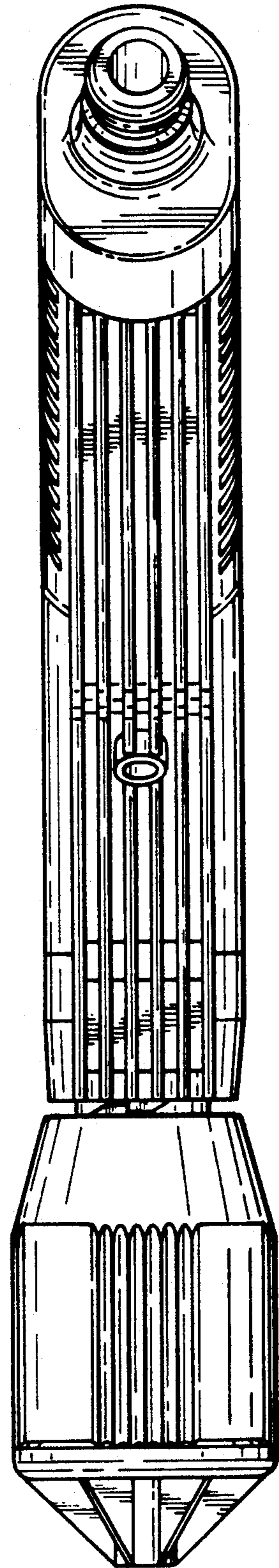


FIG. 3

FIG. 4



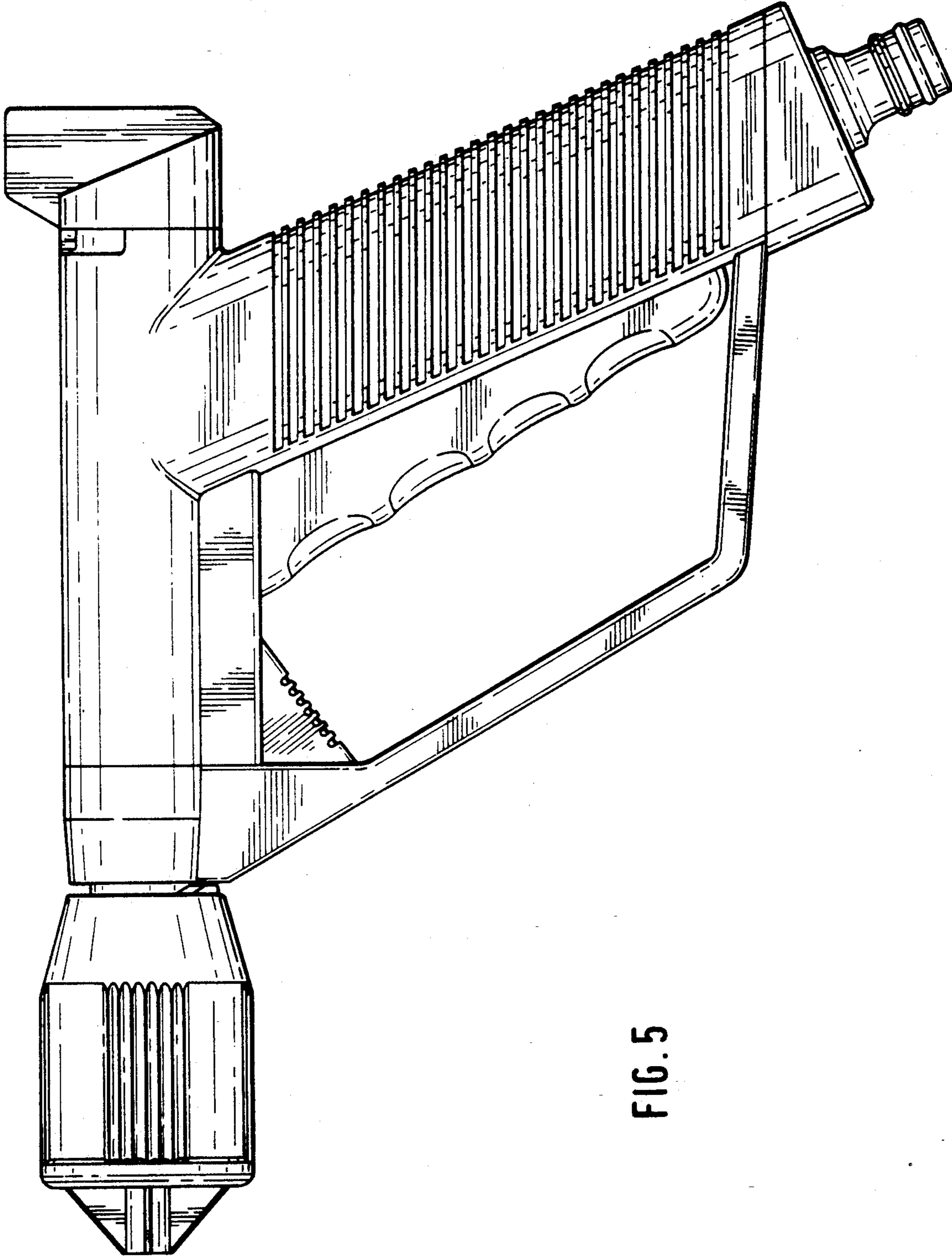


FIG. 5

FIG. 6

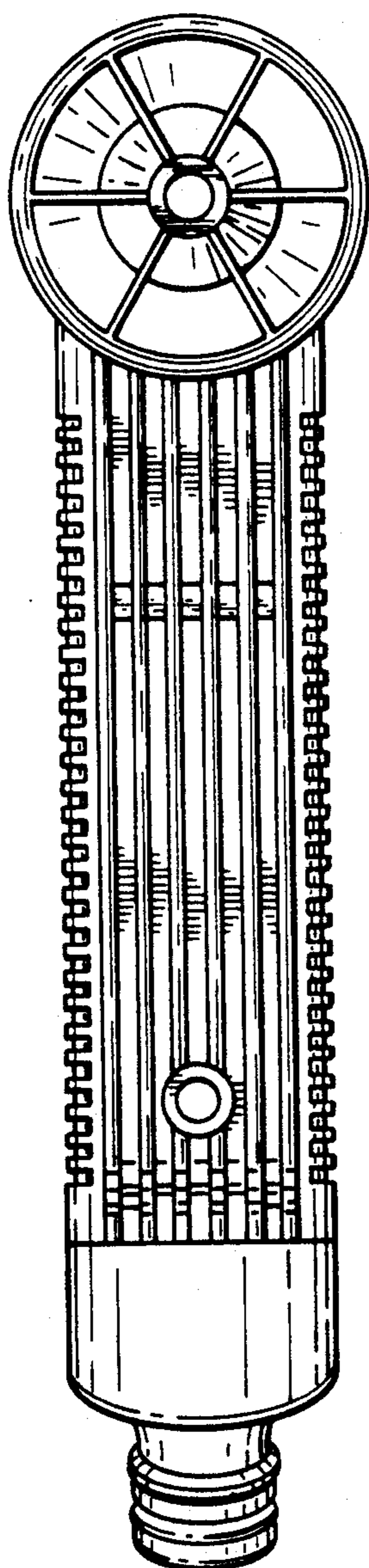


FIG. 7

