



US00D326137S

United States Patent [19]

[11] Patent Number: **Des. 326,137**

Ali

[45] Date of Patent: **** May 12, 1992**

[54] **CONTAINER FOR ATTACHMENT TO AN HERBICIDE SPRAYER**

[75] Inventor: **Eren Ali, Bristol, United Kingdom**

[73] Assignee: **Nomix Manufacturing Company Limited, Bristol, United Kingdom**

[**] Term: **14 Years**

[21] Appl. No.: **457,537**

[22] Filed: **Dec. 27, 1989**

[30] **Foreign Application Priority Data**

Jun. 30, 1989 [GB] United Kingdom 1060563

[52] U.S. Cl. **D23/225; D9/526**

[58] Field of Search **D23/213, 223-229; 239/530-532, 567-568, 592, 36; 222/372; D9/373-376**

[56] **References Cited**

U.S. PATENT DOCUMENTS

D. 196,198 9/1963 Corning et al. D23/225

D. 205,223	7/1966	Bouillard et al.	D23/225
D. 267,631	1/1983	Belchuk	D9/376
D. 272,380	1/1984	Poon	D23/225
3,904,116	9/1975	Jones et al.	239/532 X
4,618,099	10/1986	Nagao et al.	239/332

Primary Examiner—Susan J. Lucas
Assistant Examiner—M. H. Tung
Attorney, Agent, or Firm—Merchant & Gould, Smith, Edell, Welter & Schmidt

[57] **CLAIM**

The ornamental design for a container for attachment to an herbicide sprayer, as shown.

DESCRIPTION

FIG. 1 is a side front perspective view of a container for attachment to an herbicide sprayer showing my new design;

FIG. 2 is an opposite side front perspective view thereof;

FIG. 3 is an opposite side elevational view thereof;

FIG. 4 is a bottom plan view thereof; and,

FIG. 5 is a rear elevational view thereof.

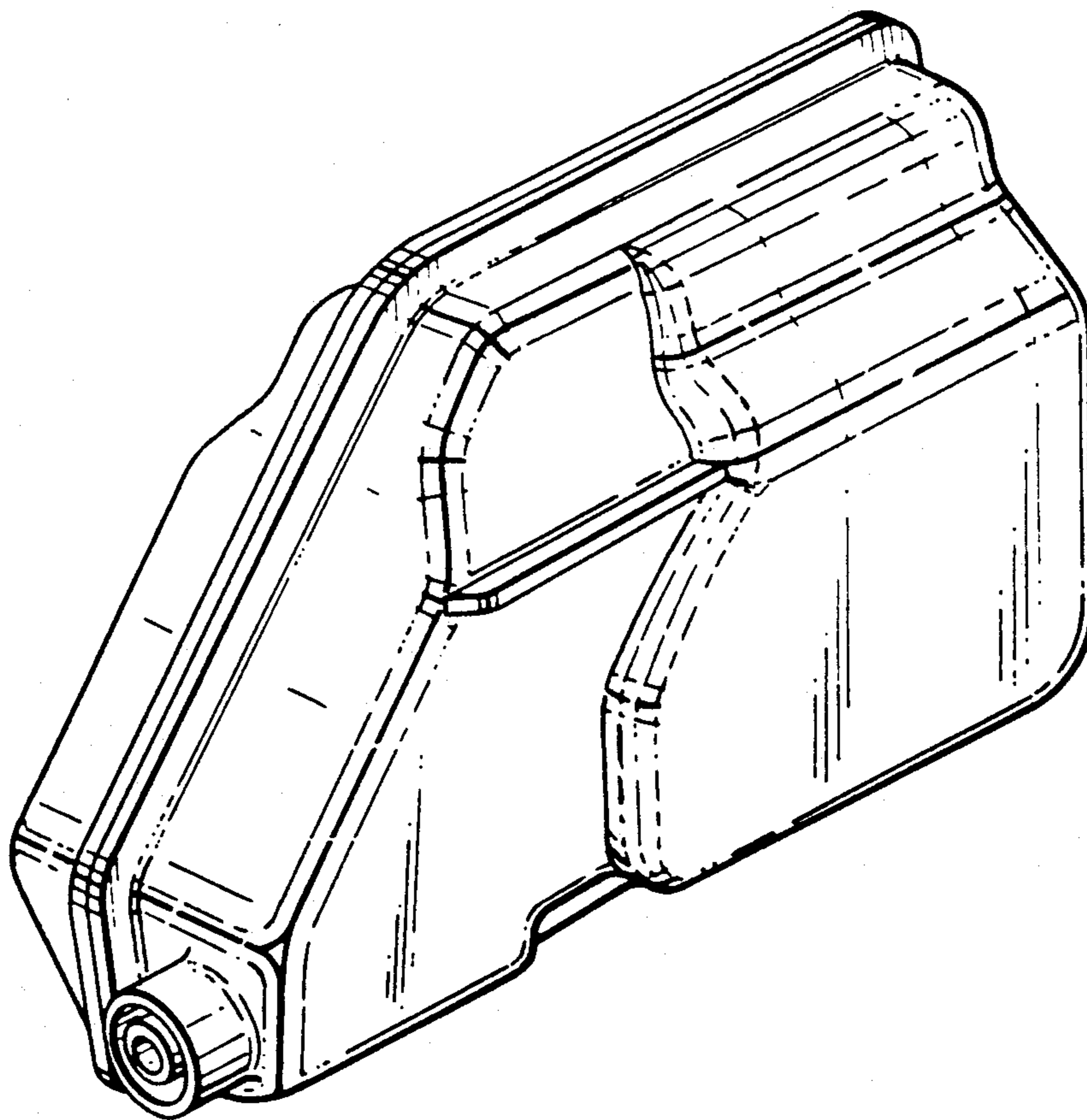


FIG. 1

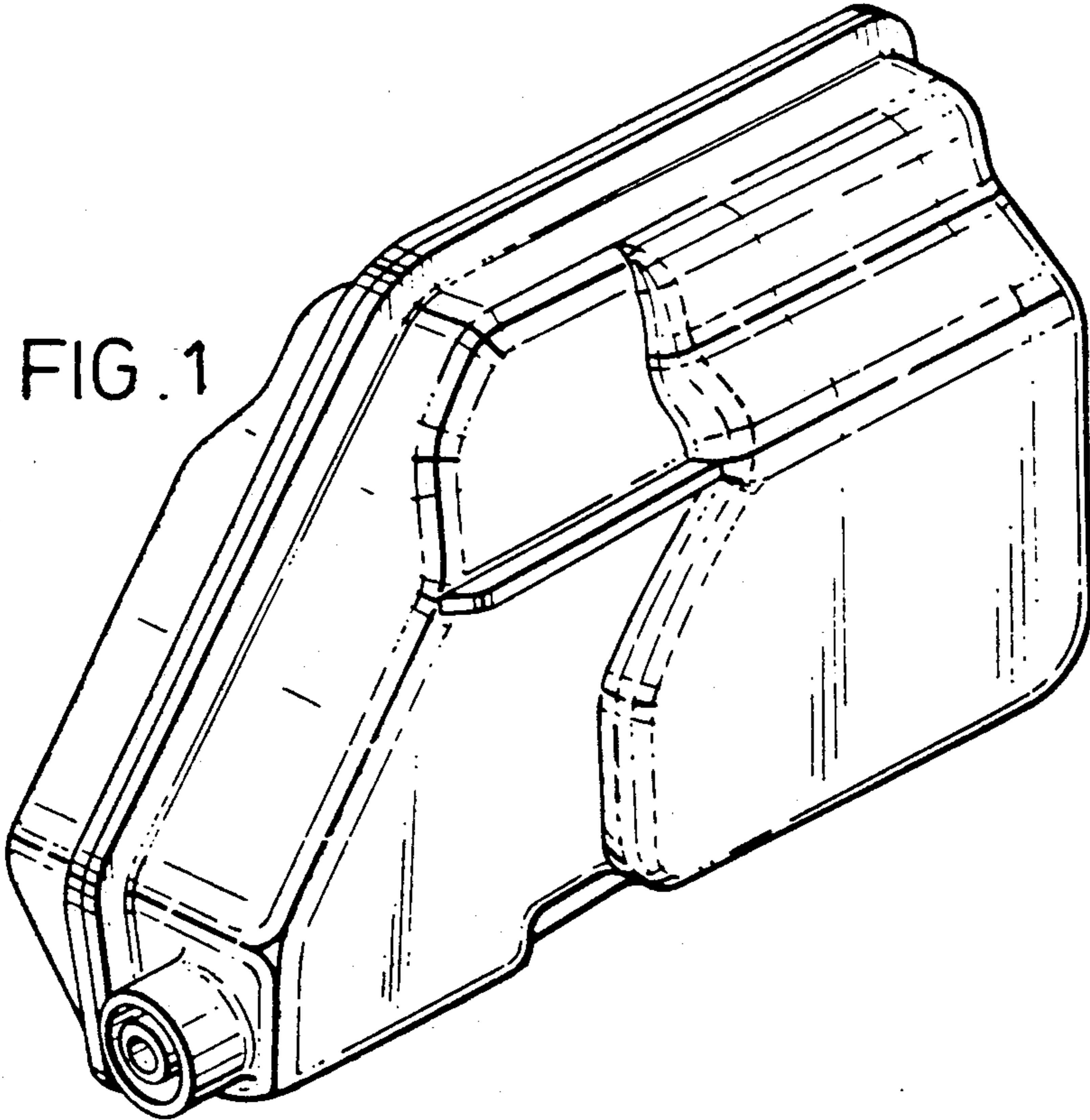
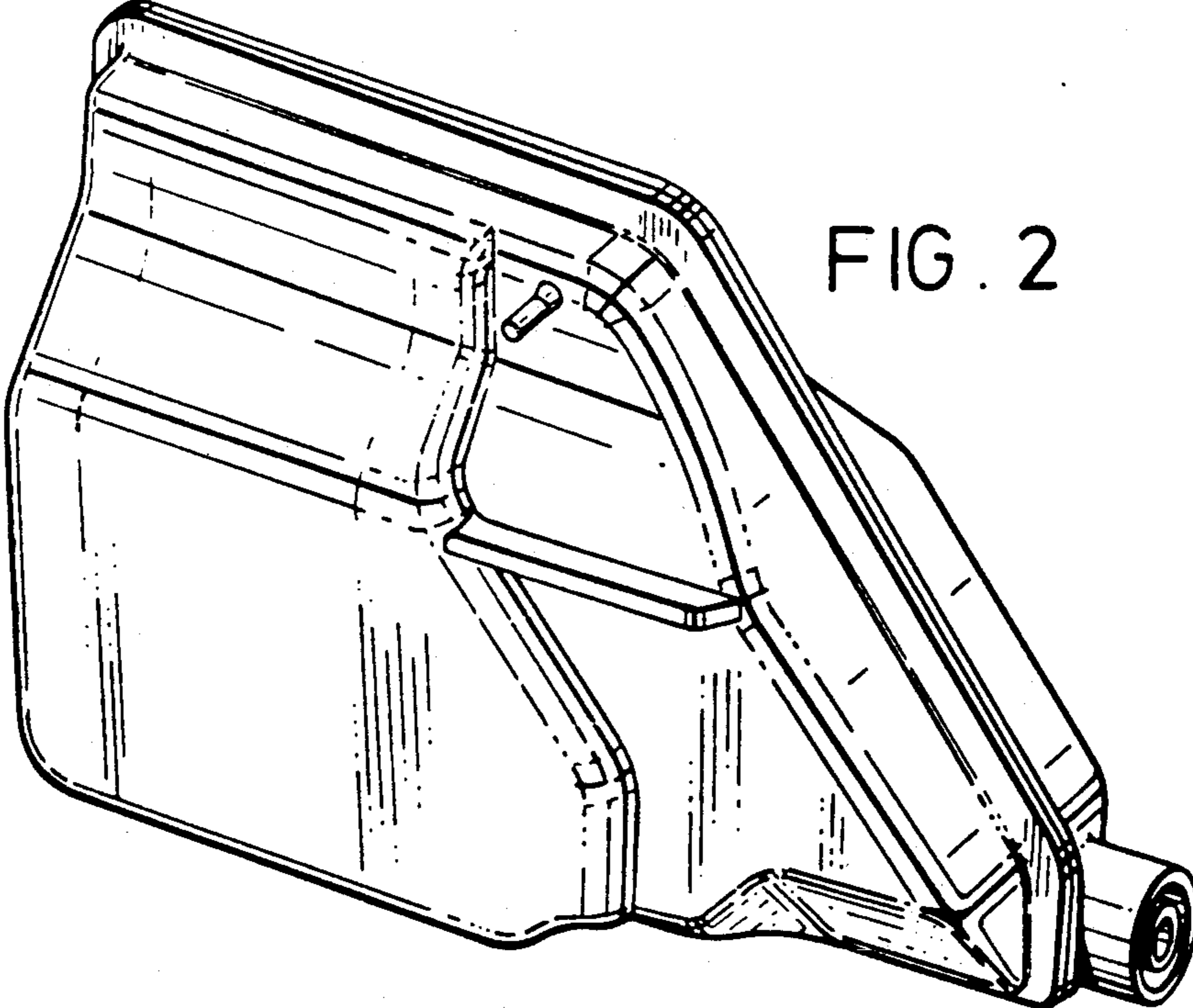


FIG. 2



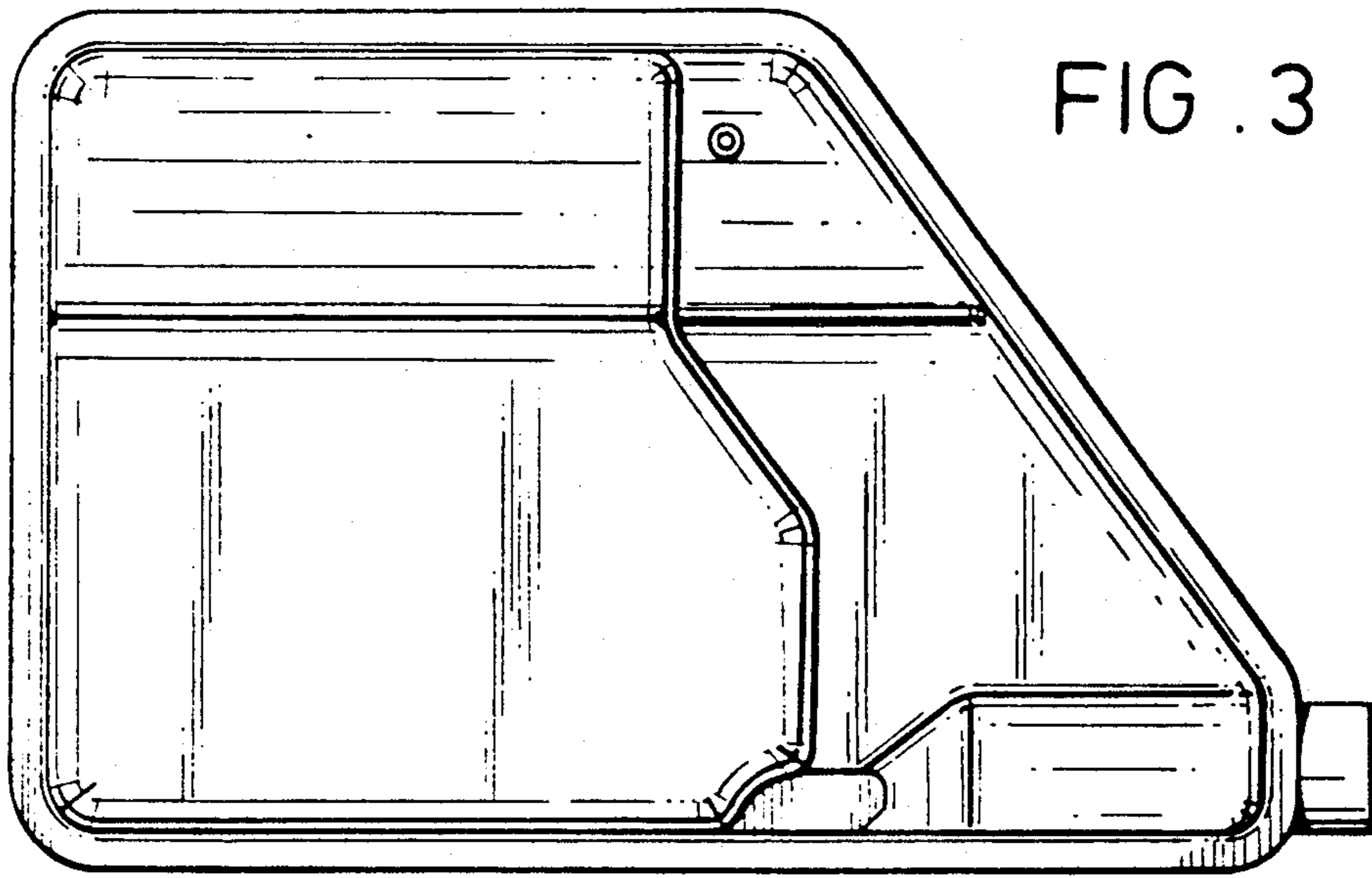


FIG. 3

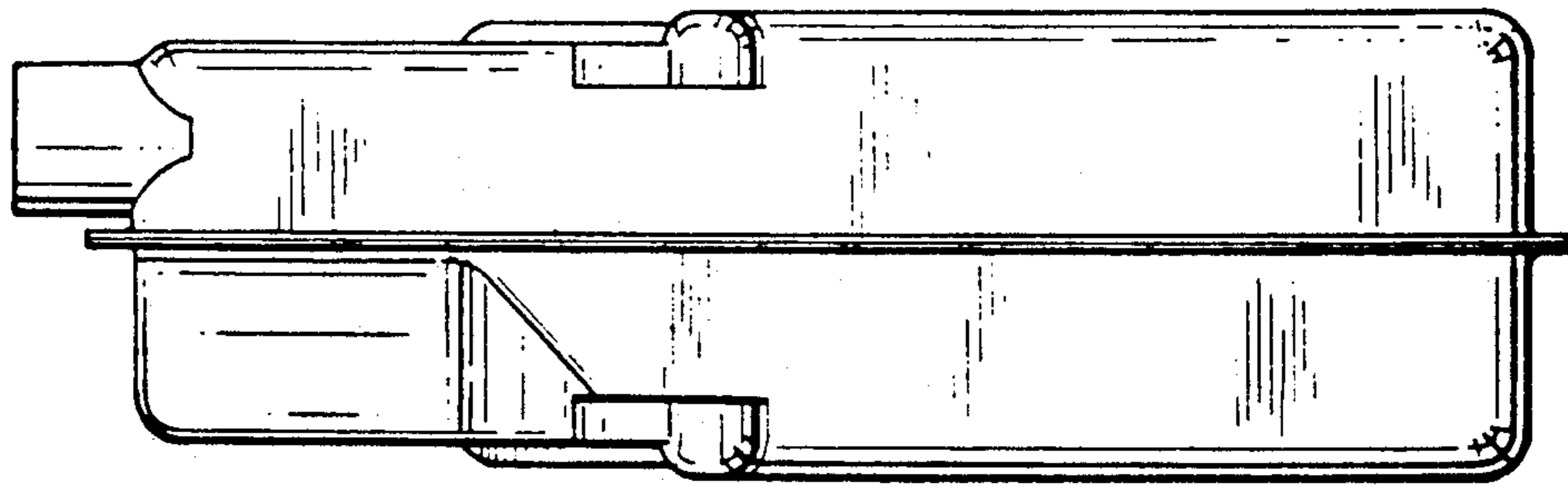


FIG. 4

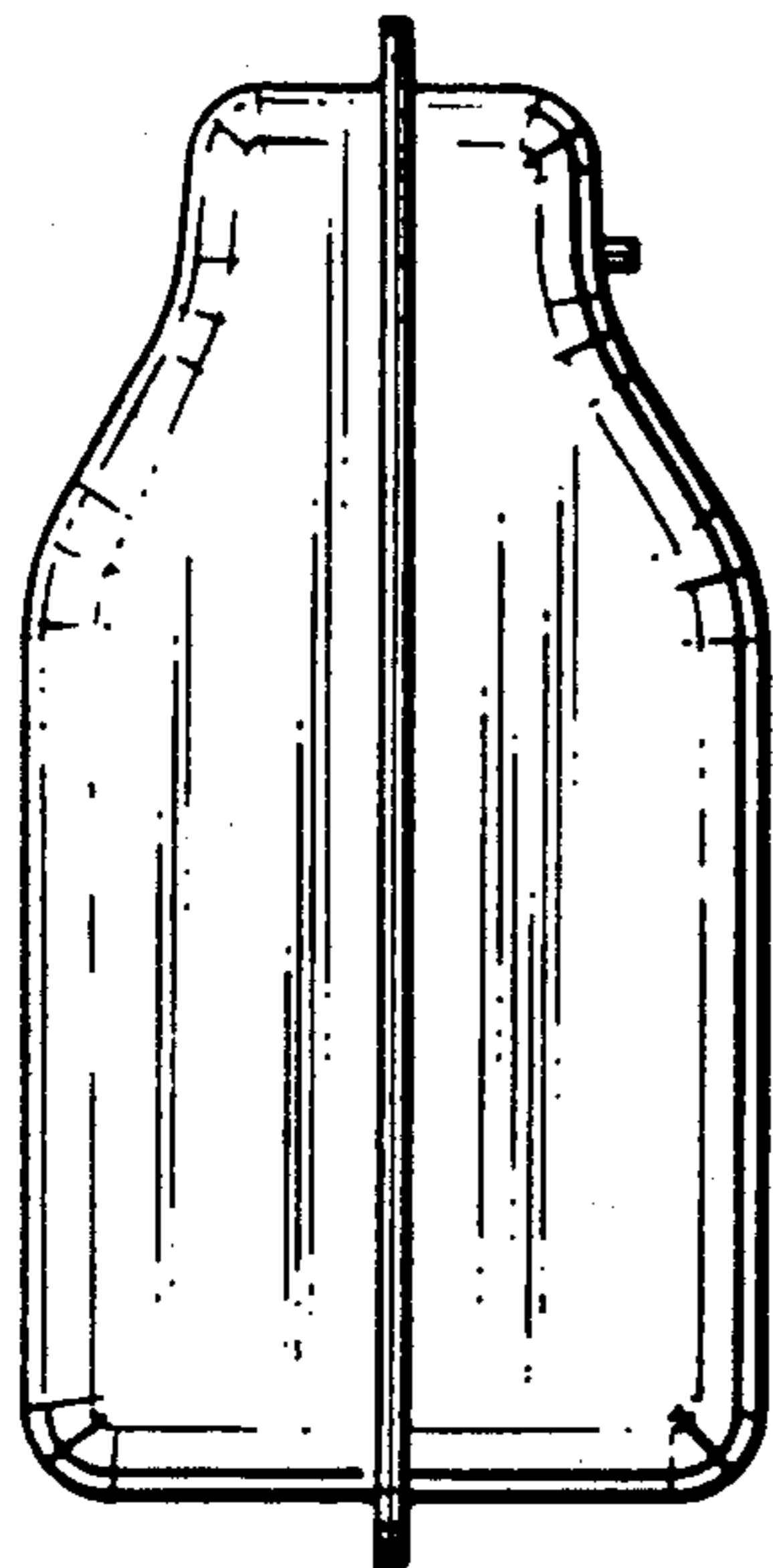


FIG. 5