



US00D326136S

# United States Patent [19]

[11] Patent Number: **Des. 326,136**

Hochstetler et al.

[45] Date of Patent: **\*\* May 12, 1992**

[54] **ICE FISHING LINE MOVEMENT INDICATOR**

2,654,972	10/1953	Hollingsworth	43/17
3,999,323	12/1976	Vitucci	43/17
4,020,578	5/1977	Hope	43/17
4,586,284	5/1986	Westwood, III	43/17.5 X
4,590,701	5/1986	Rivers	43/17.5 X
4,718,190	1/1988	Ward et al.	43/17

[76] Inventors: **Kenneth C. Hochstetler**, Box 57A, Rte. 2, Luck, Wis. 54853; **Michael J. Gilles**, 79 E. Main; **Kevin D. Hughes**, Box 289, both of Milltown, Wis. 54858

*Primary Examiner*—A. Hugo Word  
*Assistant Examiner*—Doris V. Coles  
*Attorney, Agent, or Firm*—Merchant, Gould, Smith, Edell, Welter & Schmidt

[\*\*] Term: **14 Years**

[21] Appl. No.: **301,252**

[57] **CLAIM**

[22] Filed: **Jan. 23, 1989**

The ornamental design for an ice fishing line movement indicator, as shown and described.

[52] U.S. Cl. .... **D22/134**

[58] Field of Search ..... **D22/149, 134, 148; D26/46; 43/4, 16, 25, 17, 17.1, 17.5, 18.5; 362/196; D10/114**

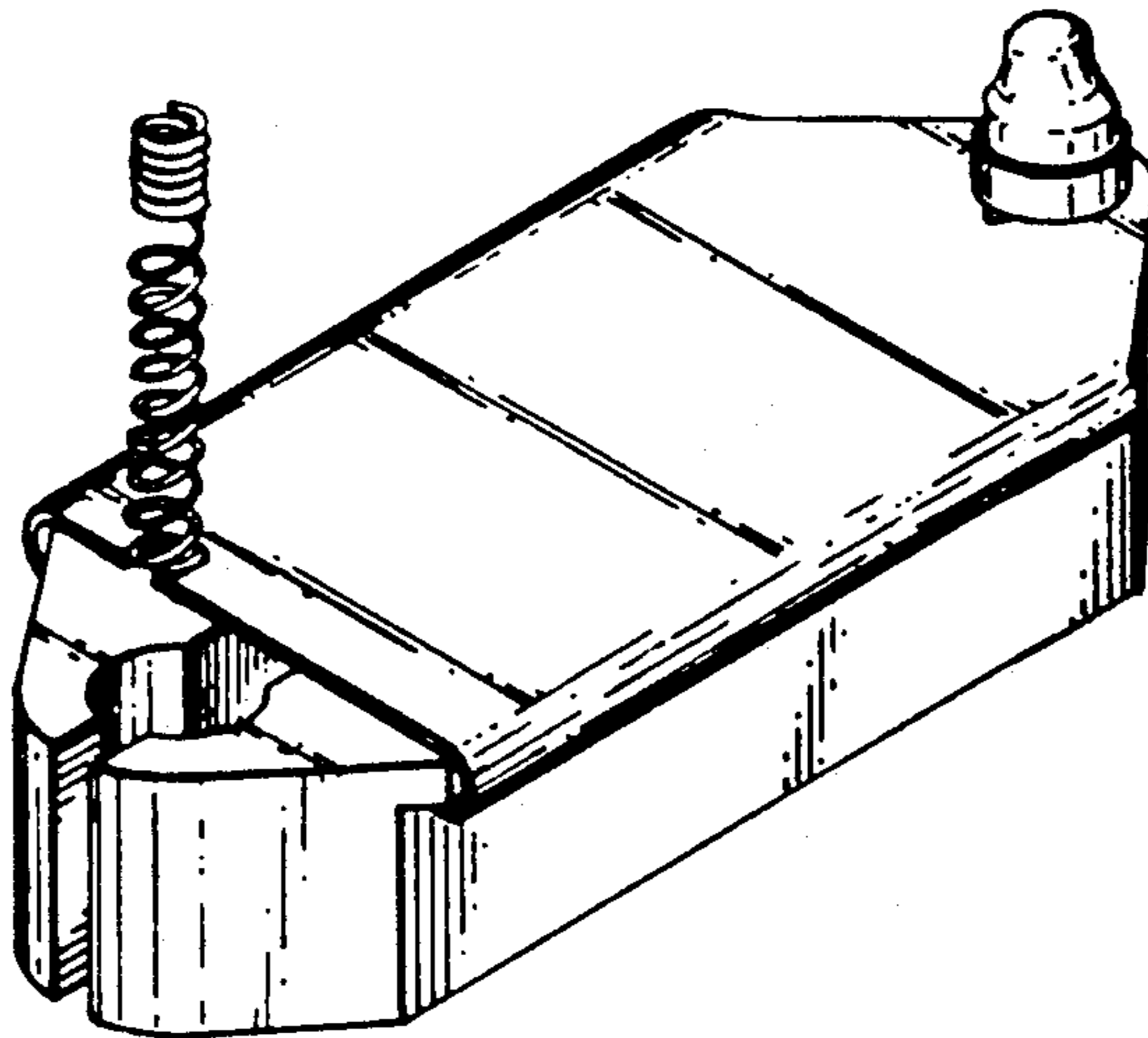
**DESCRIPTION**

[56] **References Cited**

**U.S. PATENT DOCUMENTS**

D. 230,589	5/1974	Muehl et al.	D22/134
D. 240,122	6/1976	Montgomery et al.	D10/114
D. 288,724	3/1987	Yakubek	D26/46
D. 294,853	3/1988	Nicks	D22/134
1,365,636	1/1921	Boltshauser	43/17 X

FIG. 1 is a top, left side, and front perspective view of an ice fishing line movement indicator, showing our new design;  
FIG. 2 is a top plan view thereof;  
FIG. 3 is a front elevational view, the rear being a mirror image thereof;  
FIG. 4 is a bottom plan view thereof;  
FIG. 5 is a left side elevational view thereof; and,  
FIG. 6 is a right side elevational view thereof.



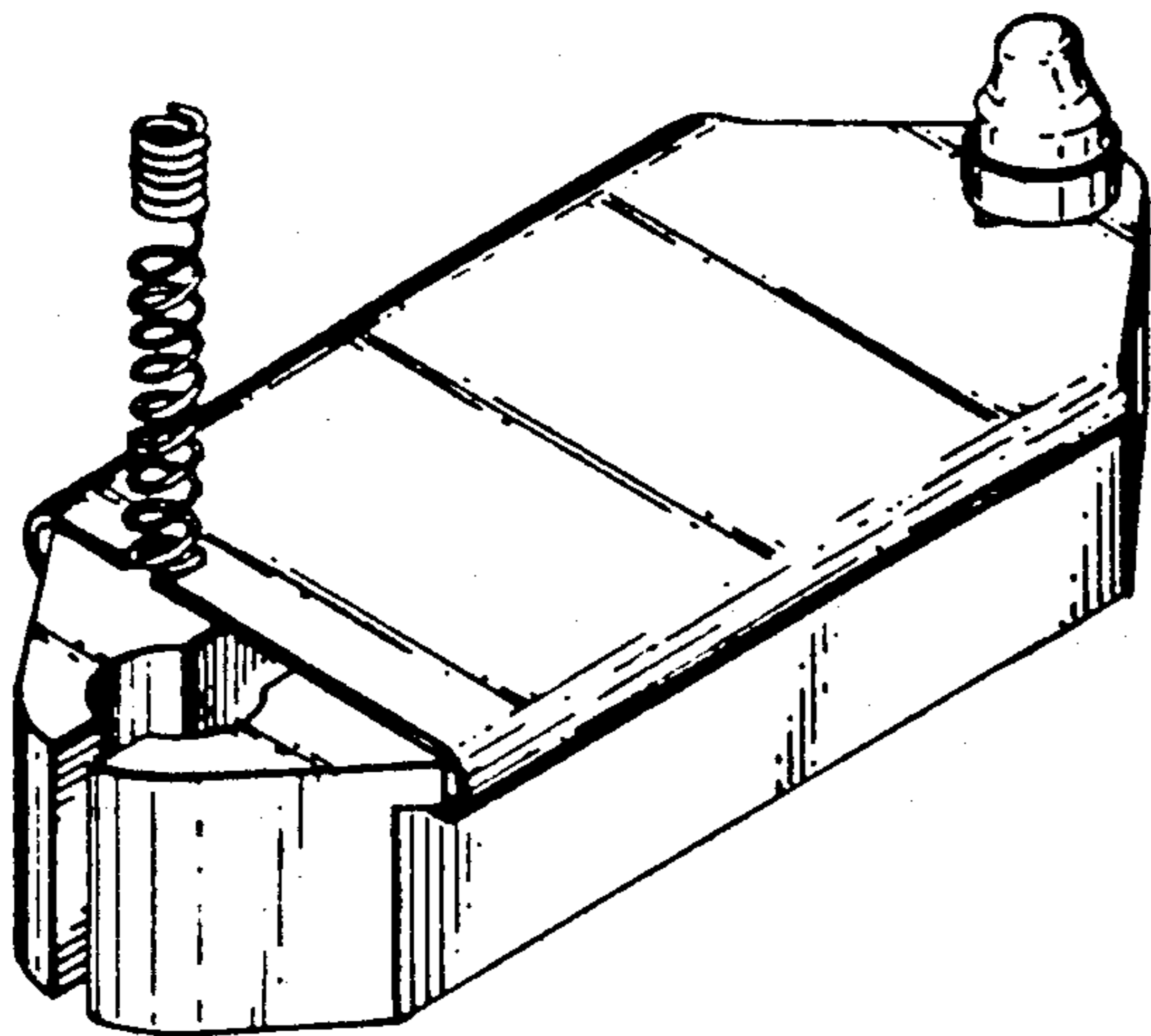


FIG. 1

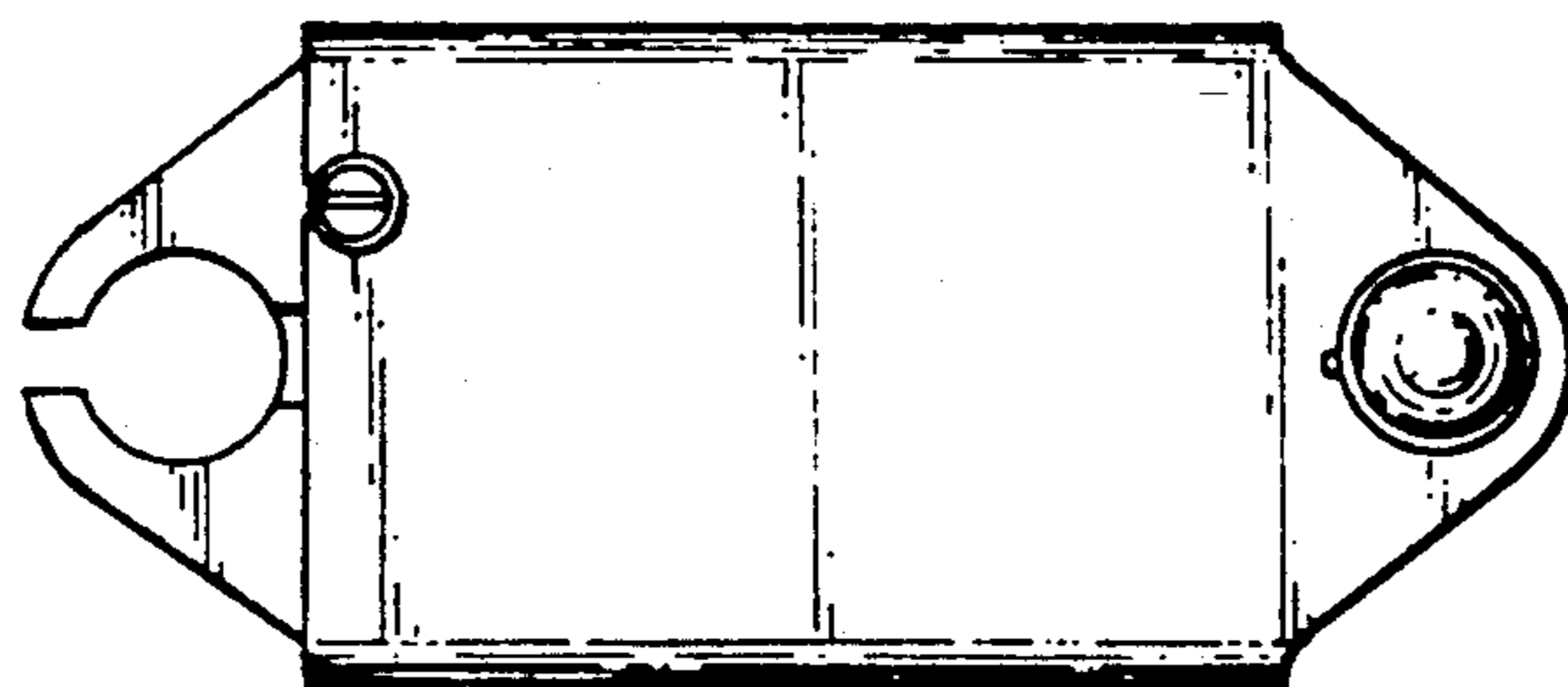


FIG. 2

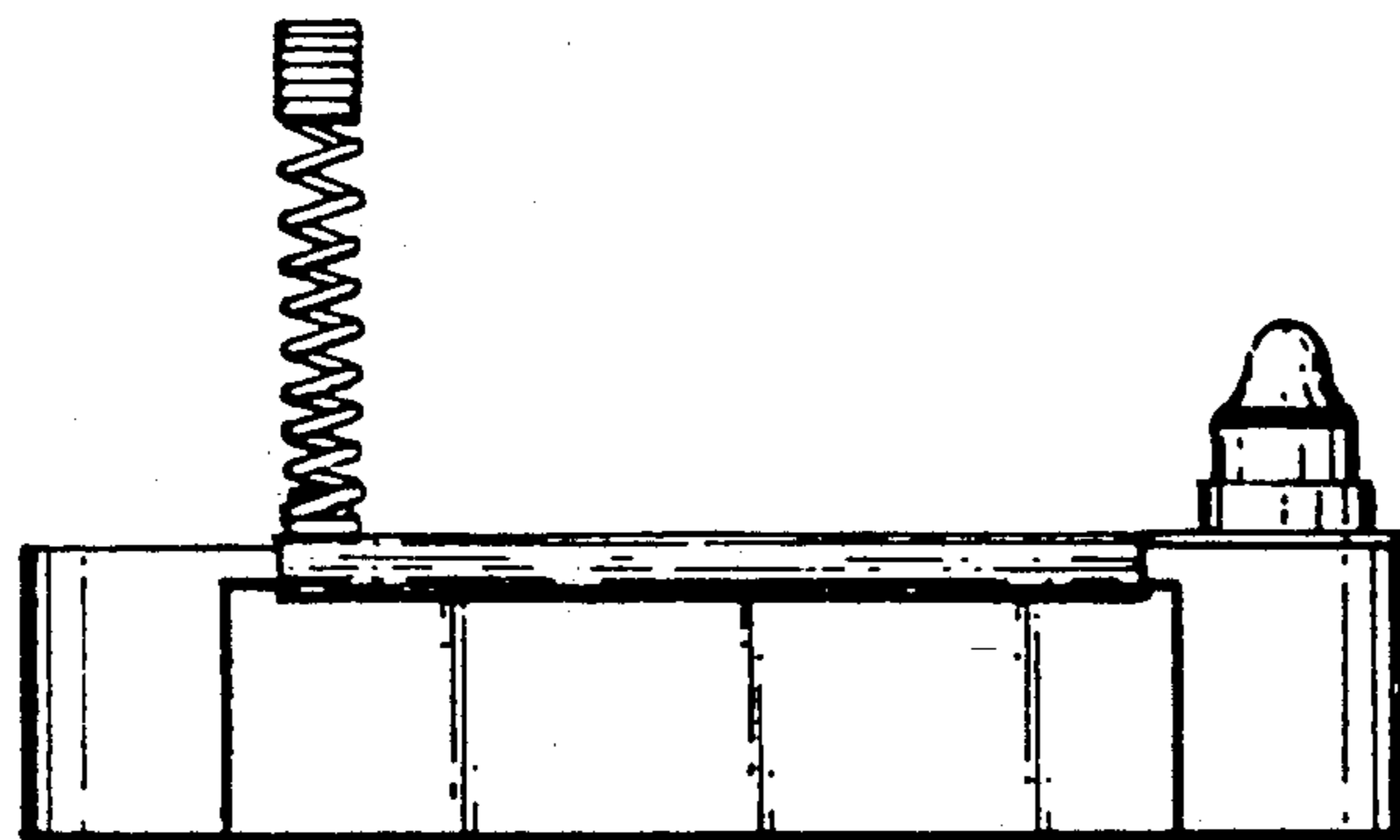


FIG. 3

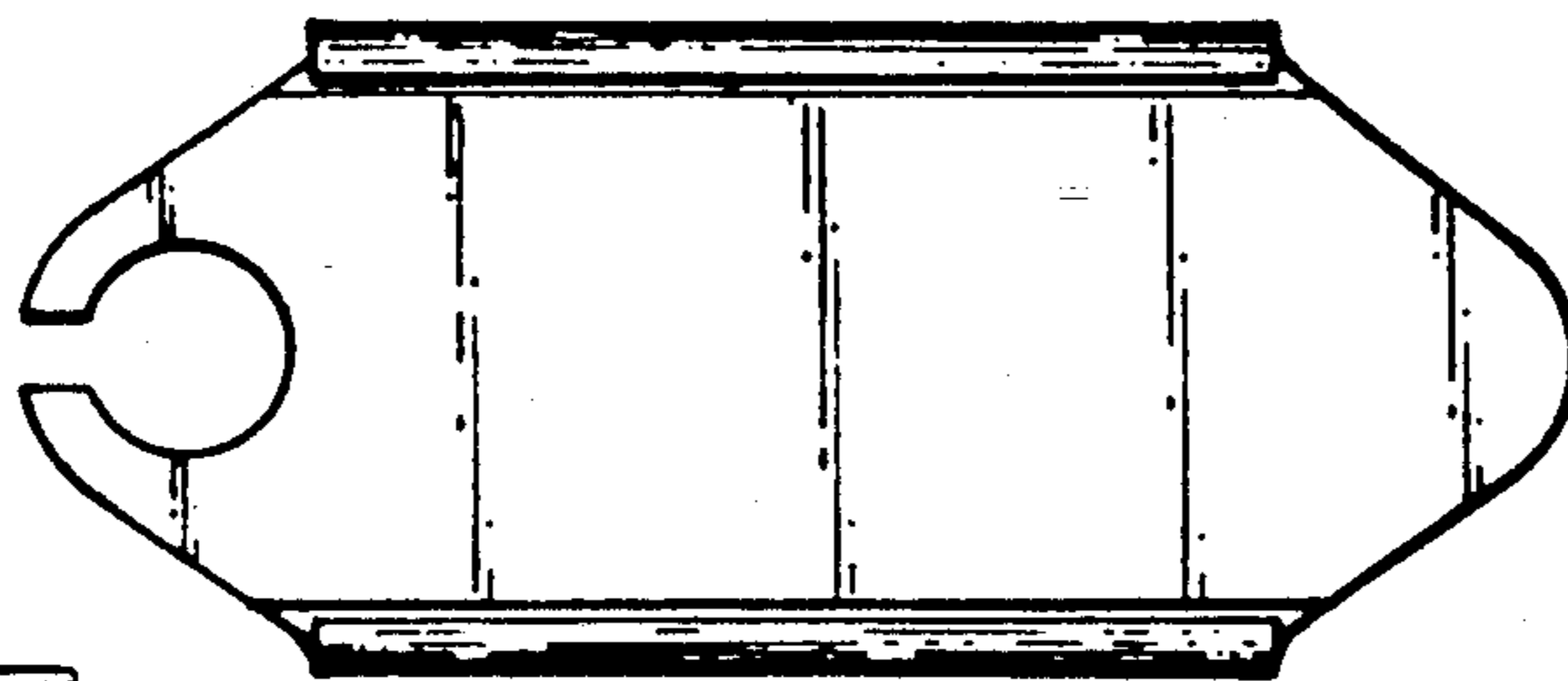


FIG. 4

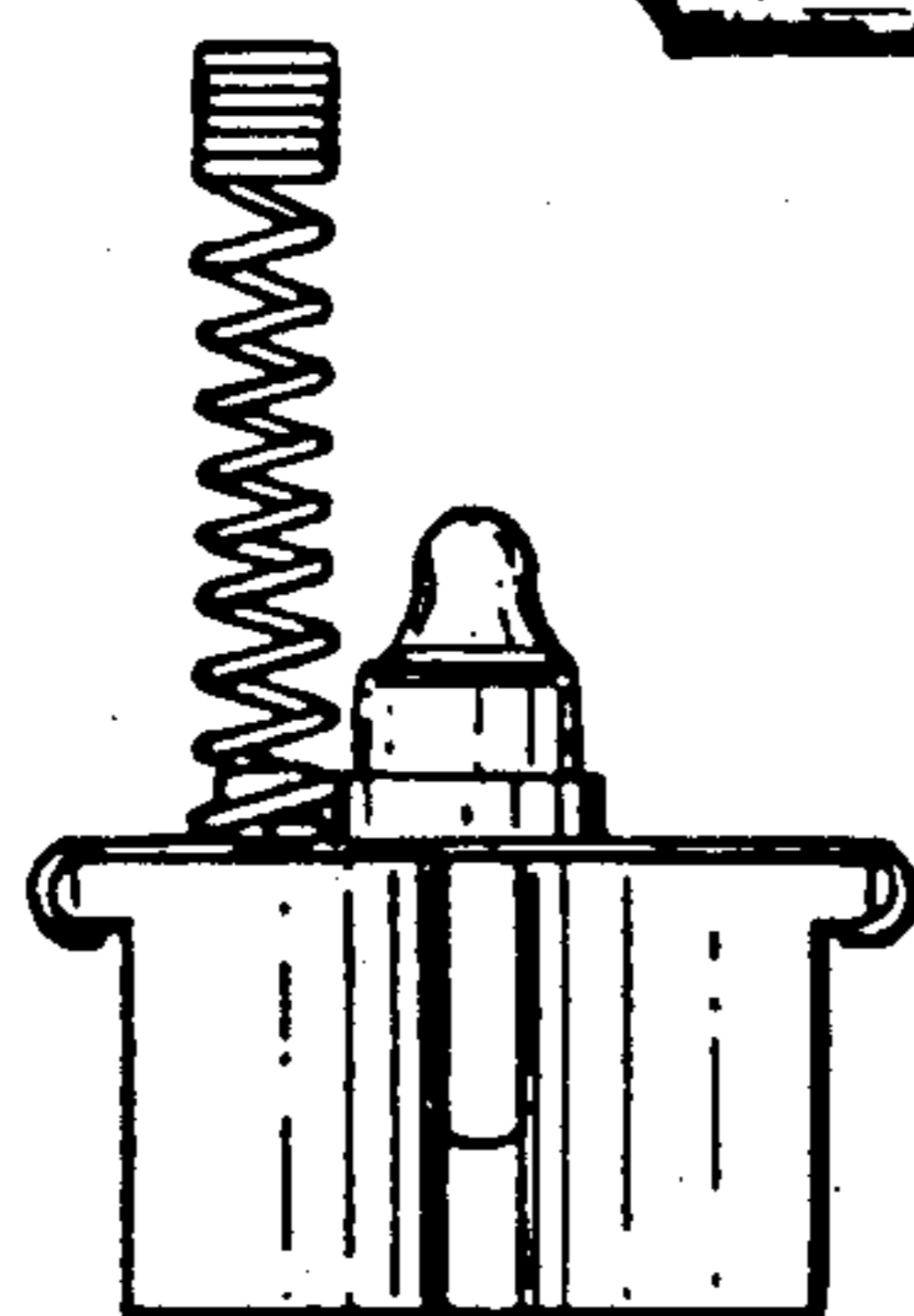


FIG. 5

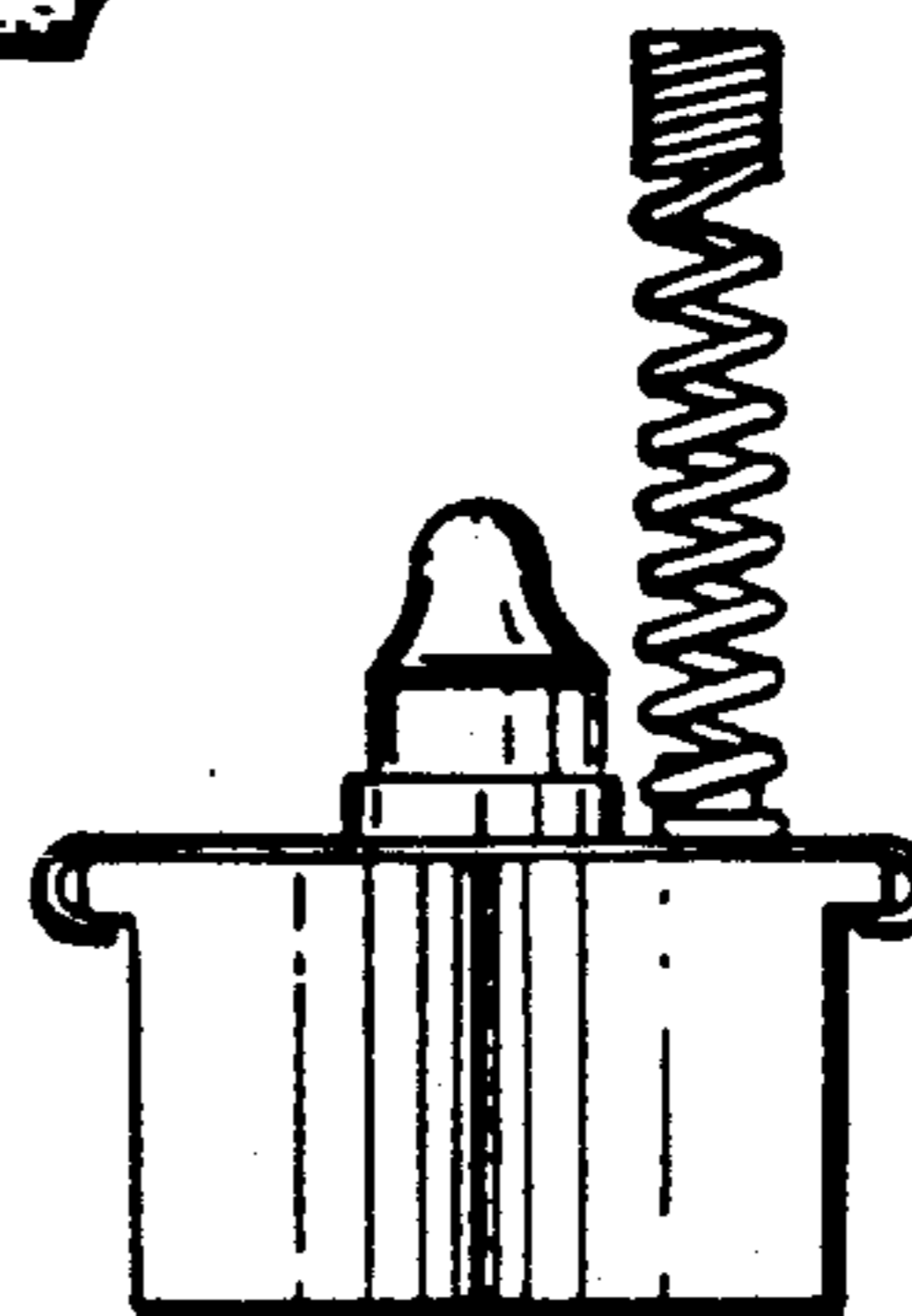


FIG. 6