



US00D326135S

United States Patent [19]

[11] Patent Number: **Des. 326,135**

Mortimer

[45] Date of Patent: **** May 12, 1992**

[54] **ARCHERY BOWSTRING GRIP**

3,916,868 11/1975 Wolfe 124/35.2
4,424,791 1/1984 Muehleisen 124/35.2

[76] Inventor: **Edward Mortimer, 347 Golf Dr.,
Brookfield, Ohio 44403**

Primary Examiner—A. Hugo Word
Assistant Examiner—Doris V. Coles
Attorney, Agent, or Firm—Harpman & Harpman

[**] Term: **14 Years**

[21] Appl. No.: **473,382**

[57] **CLAIM**

[22] Filed: **Feb. 1, 1990**

The ornamental design for an archery bowstring grip,
as shown and described.

[52] U.S. Cl. **D22/107**

[58] Field of Search **D22/107; 124/31, 35.2**

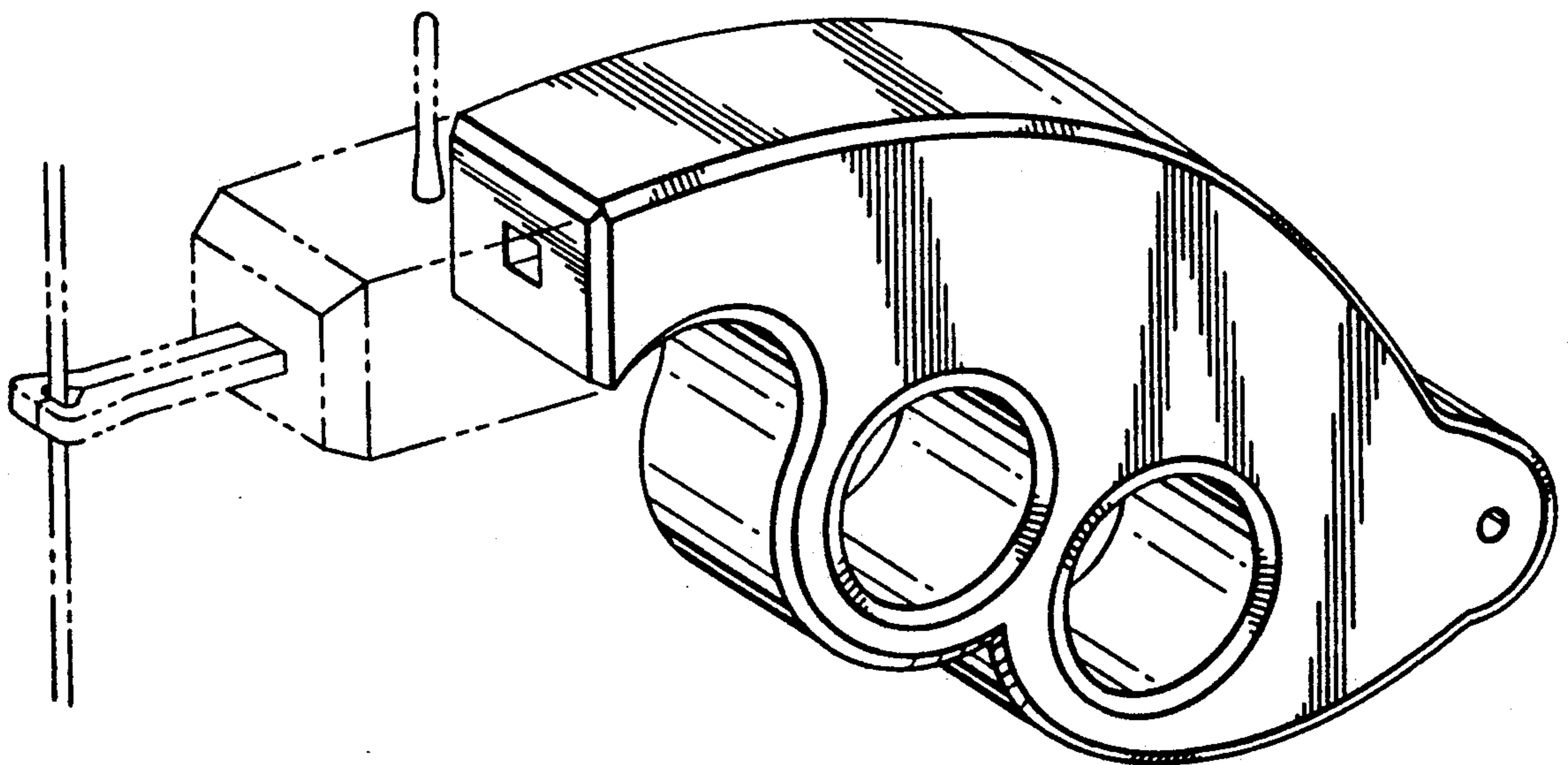
DESCRIPTION

[56] **References Cited**

U.S. PATENT DOCUMENTS

D. 226,308 2/1973 Pinti D22/107
D. 255,824 7/1980 MacWilliams et al. D22/107
3,768,456 10/1973 Hansen et al. 124/35.2

FIG. 1 is a front perspective view of an archery bowstring grip, showing my new design, the broken line showing of a bowstring caliper release is for illustrative purposes only and forms no part of the claimed design; and,
FIG. 2 is a rear perspective view thereof.



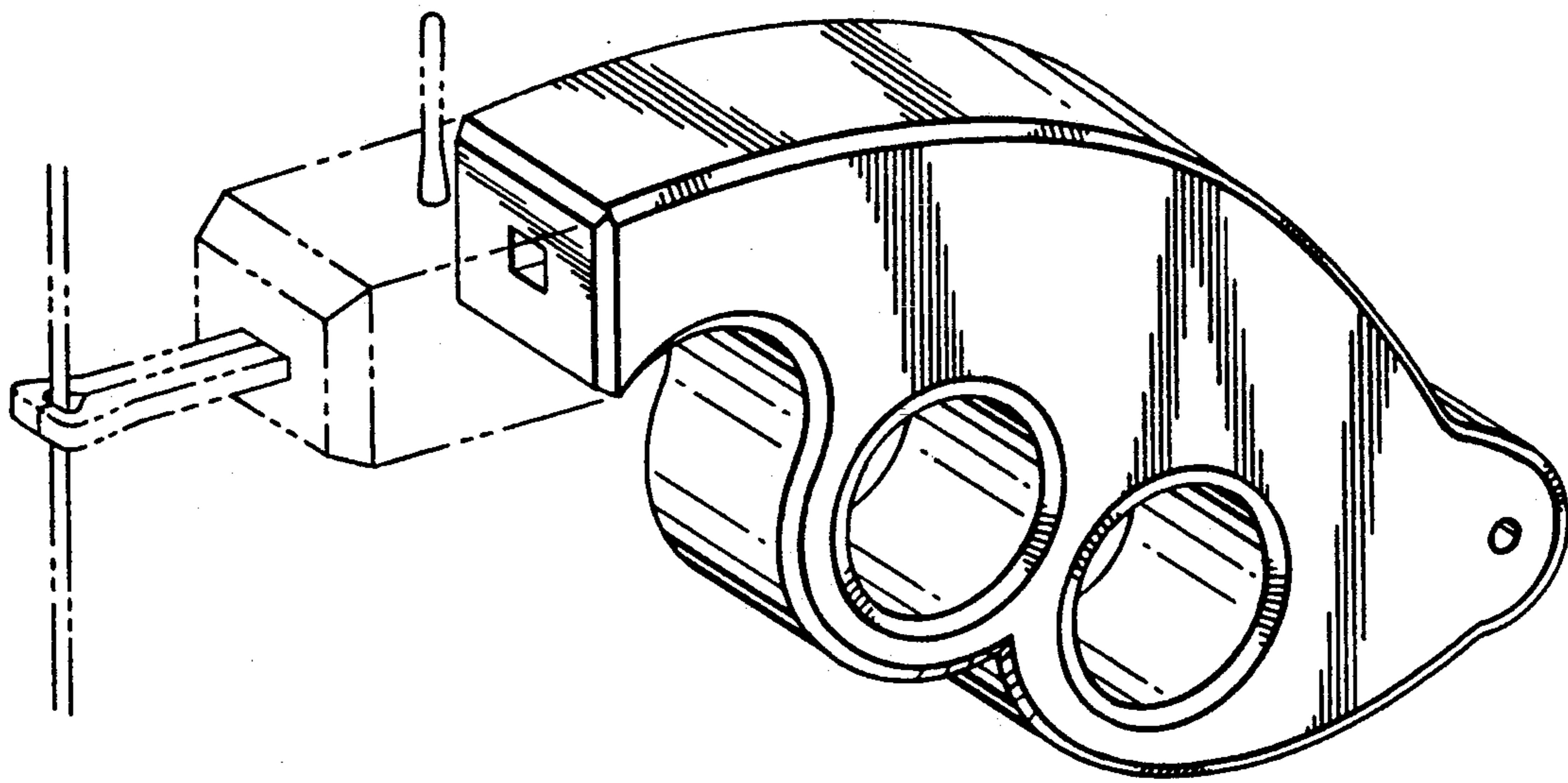


FIG. 1

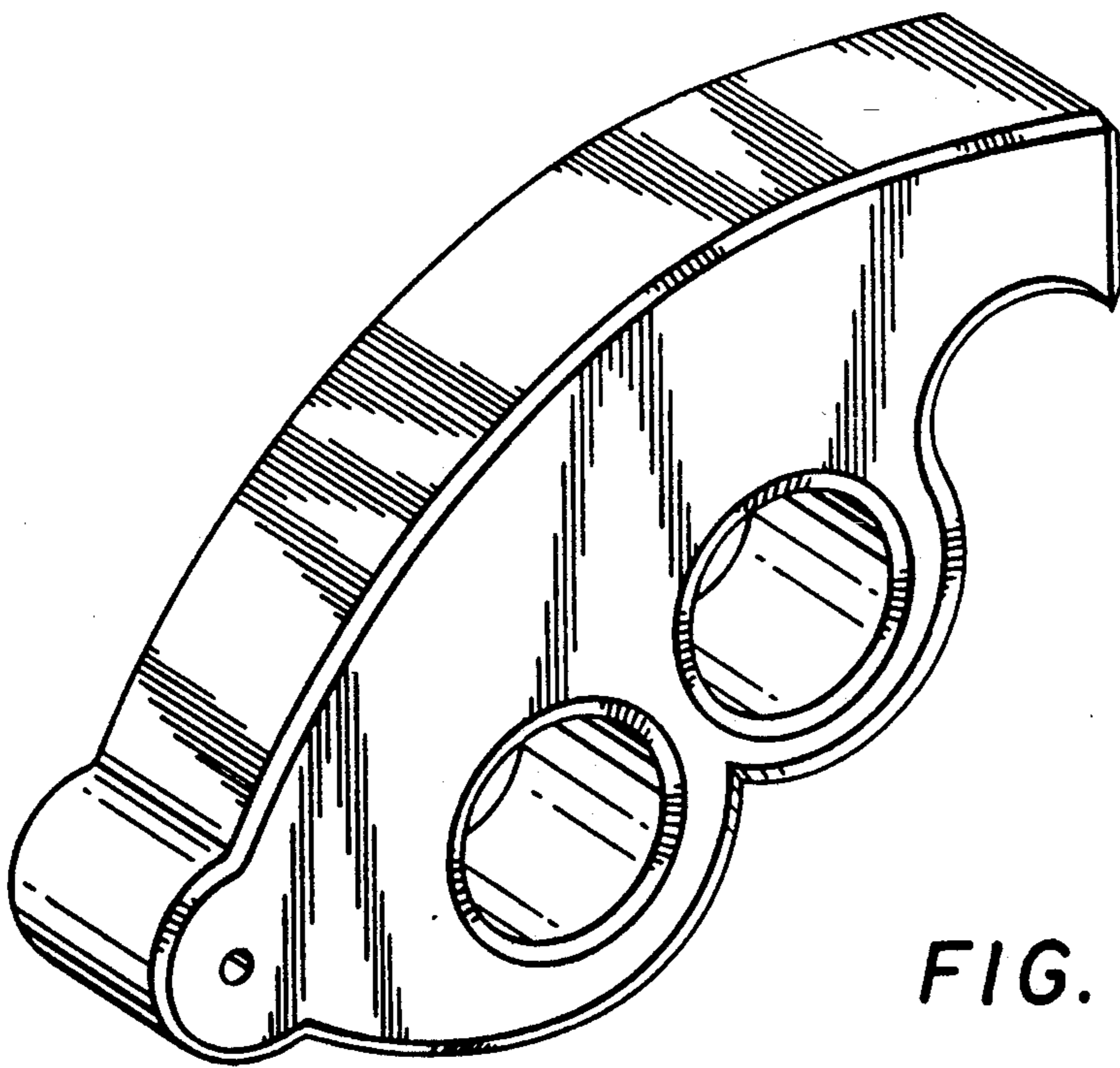


FIG. 2