



US00D326131S

United States Patent [19]

[11] Patent Number: **Des. 326,131**

Antonious

[45] Date of Patent: **** May 12, 1992**

[54] **GOLF CLUB HEAD**

OTHER PUBLICATIONS

[76] Inventor: **Anthony J. Antonious**, 205 E. Joppa Rd., Towson, Md. 21204

Ping by Karsten Mfg. Co., brochure, 1971, p. 2, upper right, "Auld" putter.

[*] Notice: The portion of the term of this patent subsequent to Apr. 7, 2006 has been disclaimed.

Primary Examiner—Melvin B. Feifer
Attorney, Agent, or Firm—N. J. Aquilino

[**] Term: **14 Years**

[57] **CLAIM**

The ornamental design for a golf club head, as shown and described.

[21] Appl. No.: **317,802**

DESCRIPTION

[22] Filed: **Mar. 2, 1989**

[52] U.S. Cl. **D21/217**

[58] Field of Search **D21/214-220;**
273/167-175, 164

FIG. 1 is a rear perspective view of the golf club head showing my new design;

FIG. 2 is a top plan view thereof;

FIG. 3 is a front elevational view thereof;

FIG. 4 is a bottom view thereof;

FIG. 5 is an end elevational view thereof;

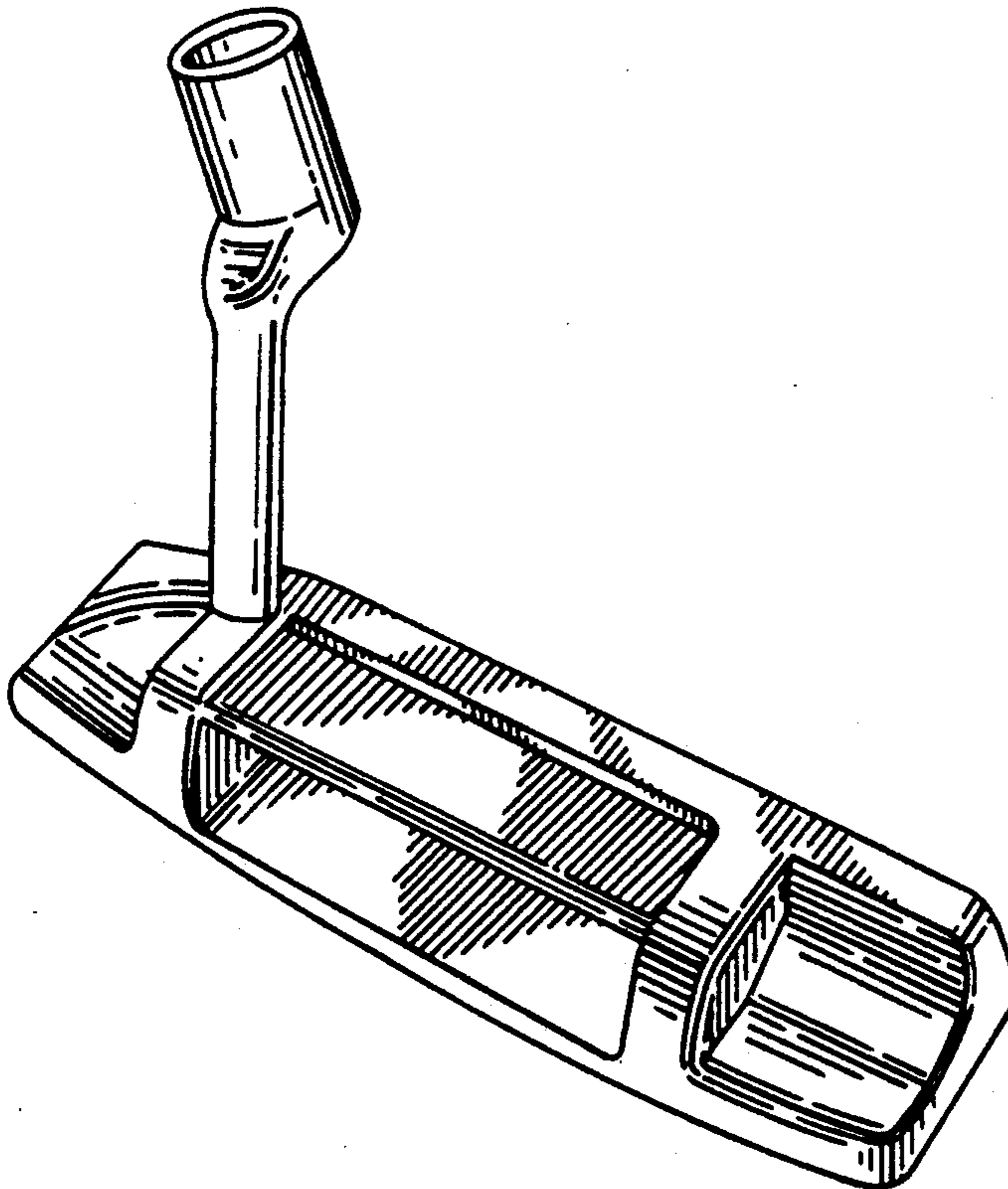
FIG. 6 is an end elevational view taken from the opposite side of FIG. 5; and,

FIG. 7 is a sectional view taken along lines 7—7 of FIG. 3.

[56] **References Cited**

U.S. PATENT DOCUMENTS

D. 299,045 12/1988 Antonious D21/219



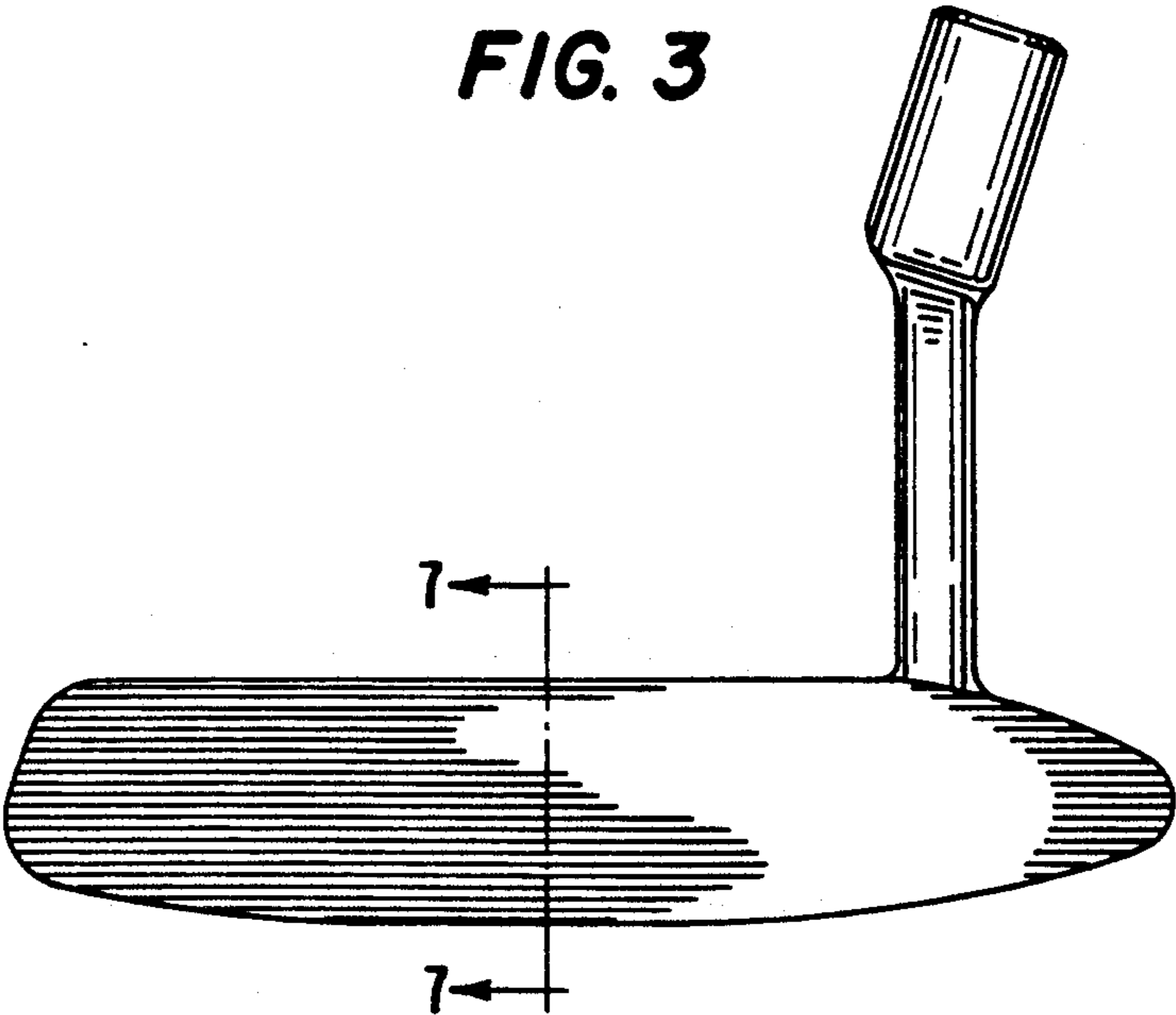
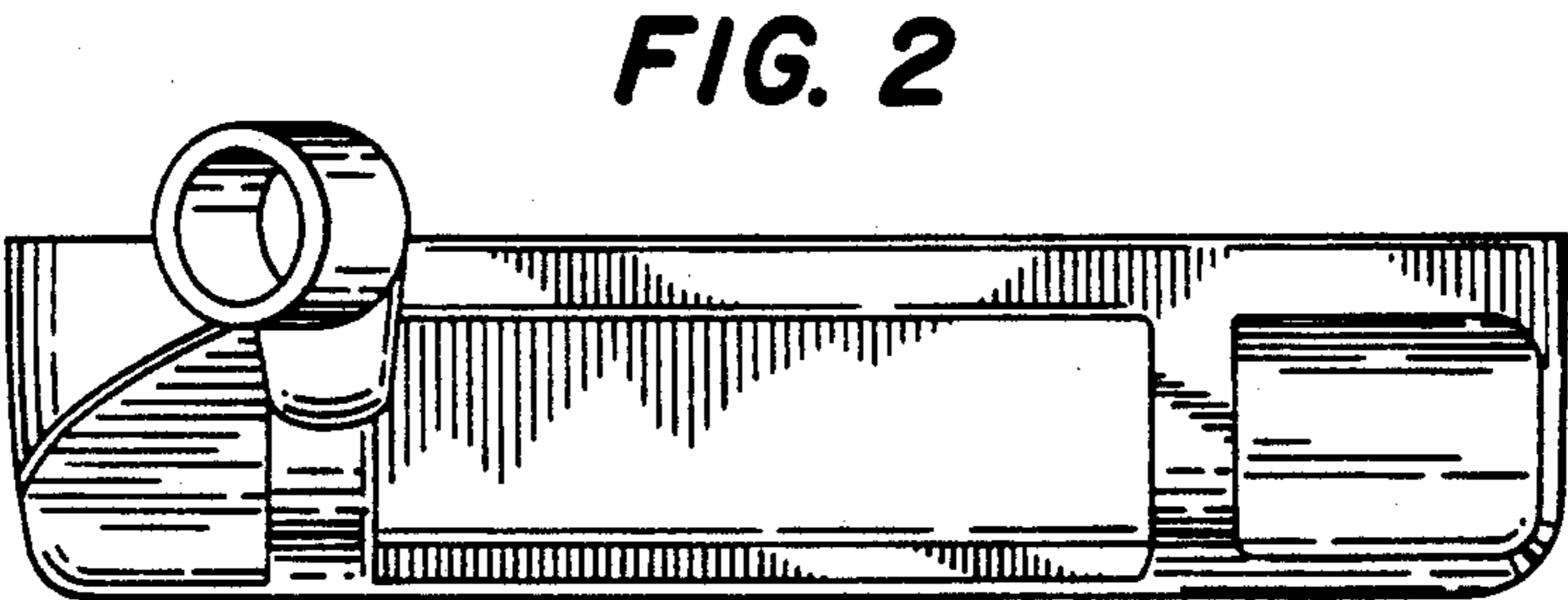
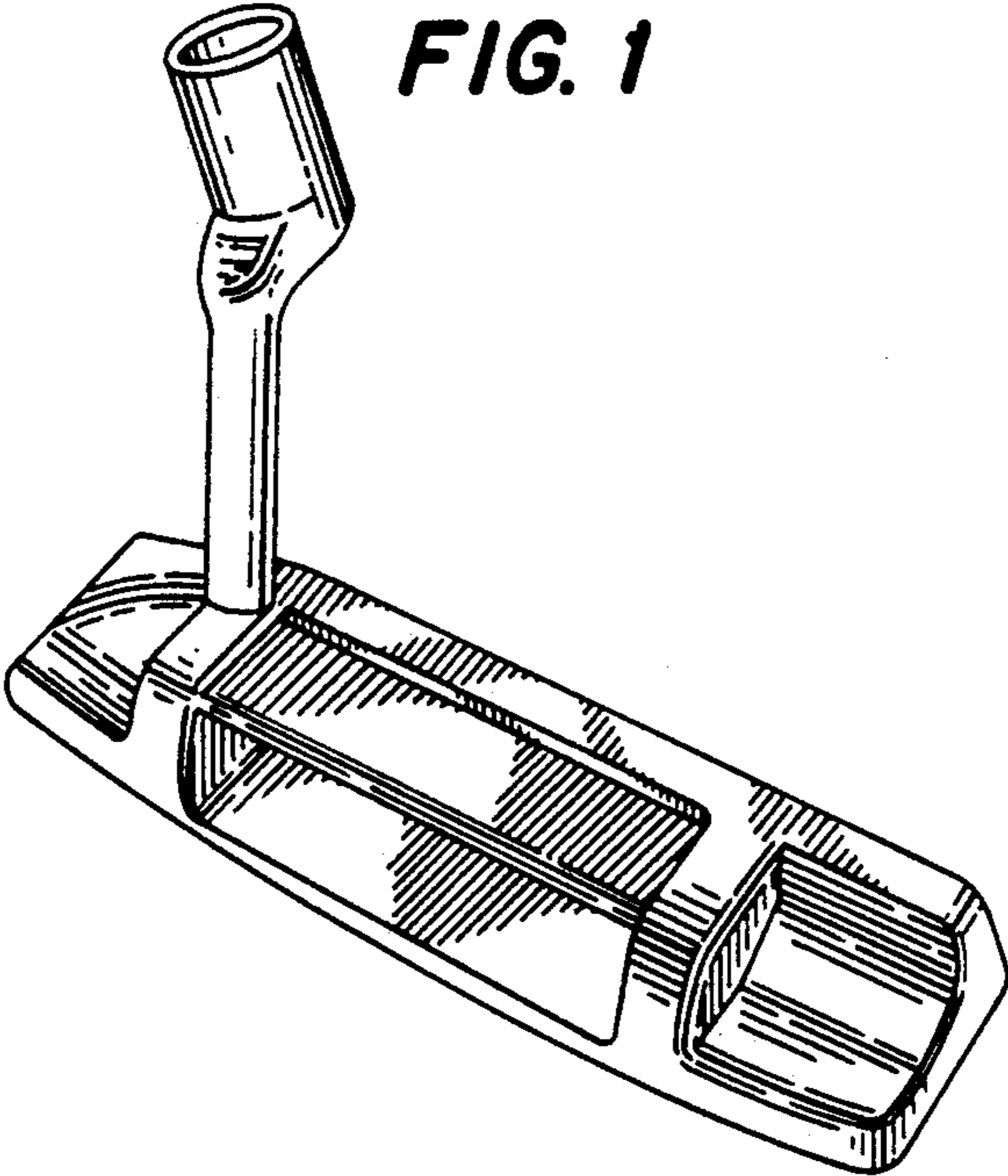


FIG. 4

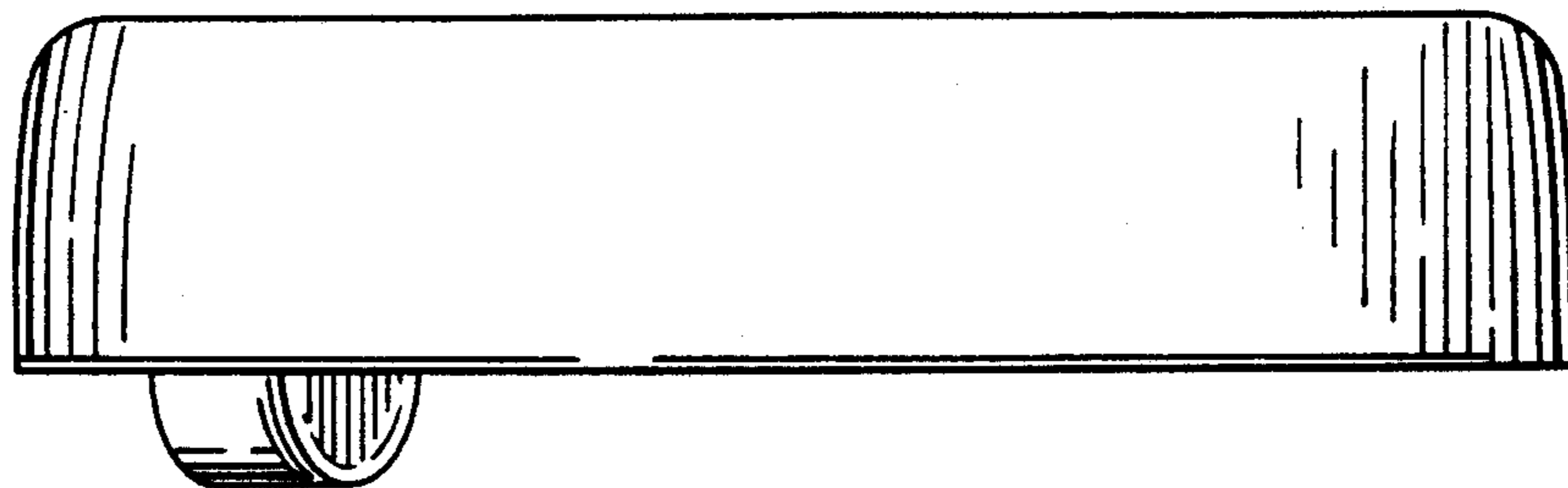


FIG. 5

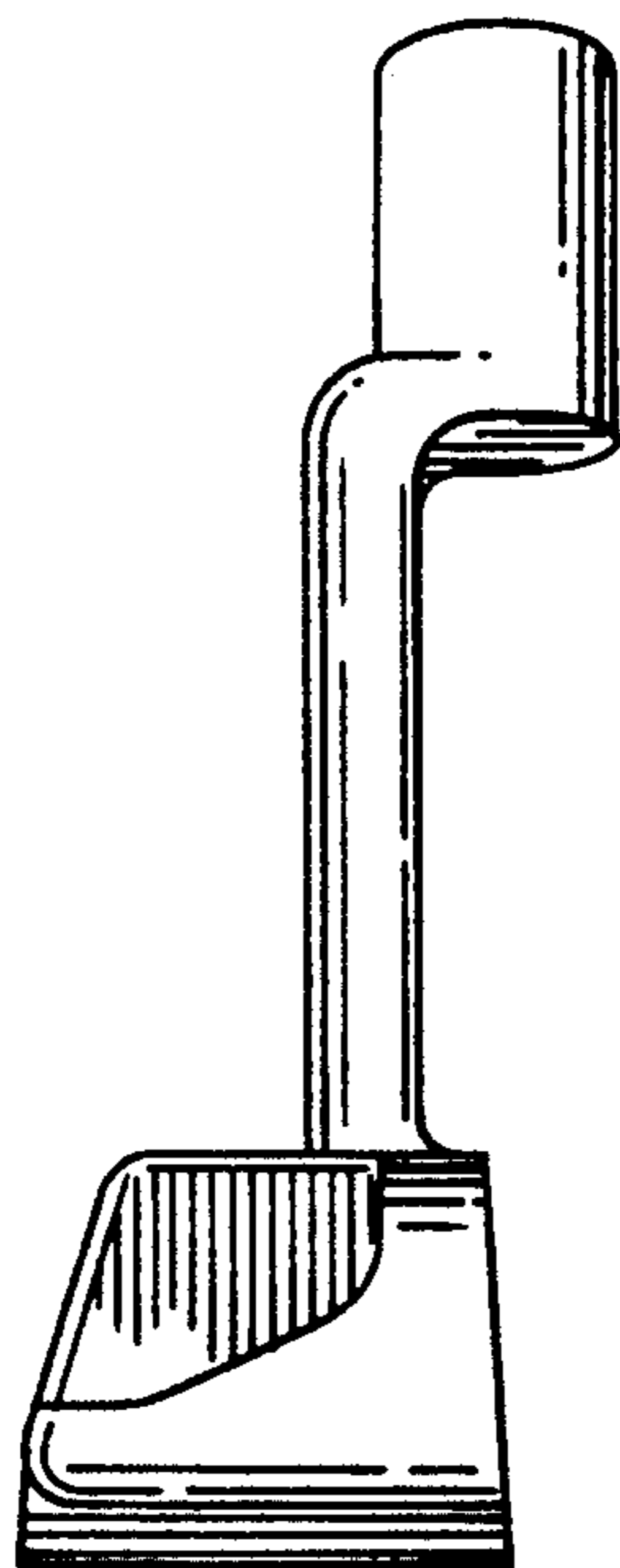


FIG. 6

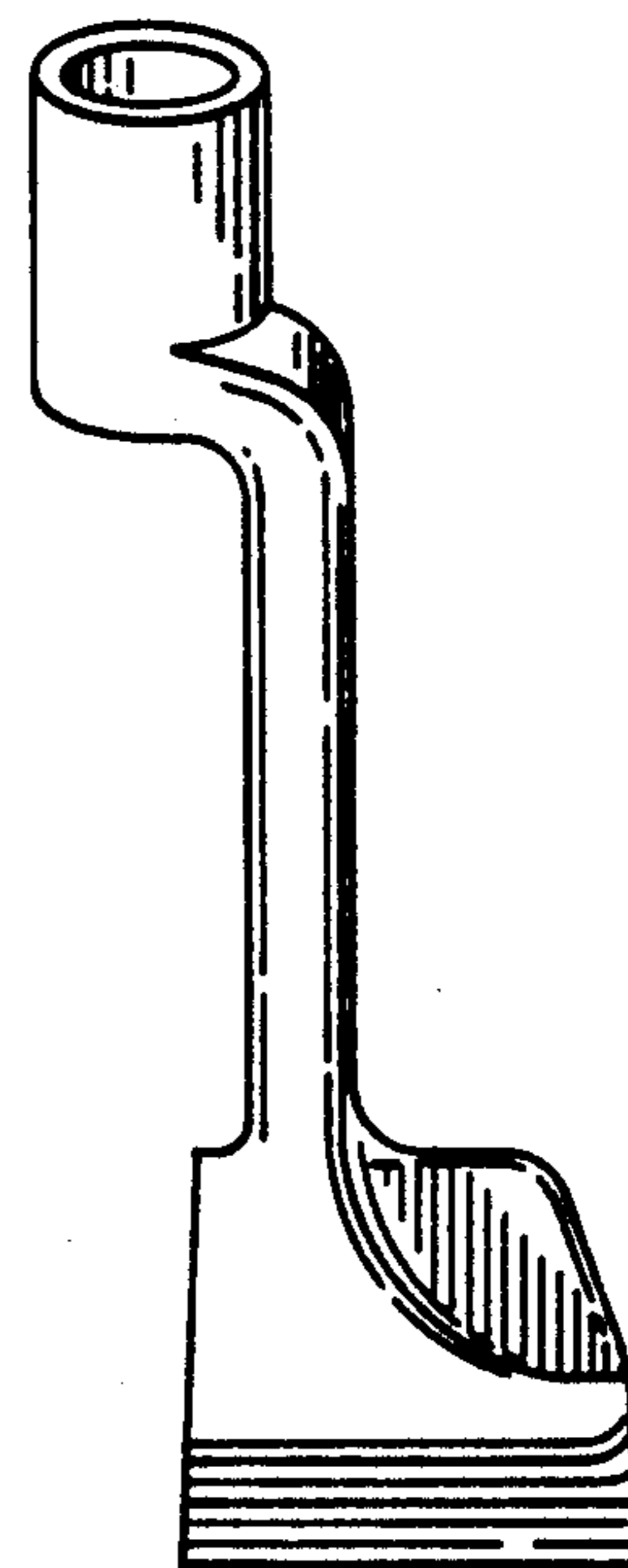


FIG. 7

