



US00D326117S

United States Patent [19]

[11] Patent Number: **Des. 326,117**

Barr et al.

[45] Date of Patent: **** May 12, 1992**

[54] **HANDS FREE CONTROLLER FOR VIDEO GAMES**

OTHER PUBLICATIONS

[75] Inventors: **Lance Barr; John Cordell**, both of Redmond, Wash.

Creative Computing, 3/1985, p. 124 center of the page.
Creative Computing, 3/1978, p. 125 bottom right of the page.

[73] Assignee: **Nintendo of America Inc.**, Redmond, Wash.

Primary Examiner—Bernard Ansher
Assistant Examiner—Prabhakar Deshmukh
Attorney, Agent, or Firm—Nixon & Vanderhye

[**] Term: **14 Years**

[57] CLAIM

[21] Appl. No.: **369,098**

The ornamental design for a hands free controller for video games, as shown and described.

[22] Filed: **Jun. 20, 1989**

DESCRIPTION

[52] U.S. Cl. **D21/48**

[58] Field of Search D21/48, 13; 273/148 B,
273/DIG. 28, 138 A, 237, DIG. 17; D24/188,
200; 128/76 R, 68

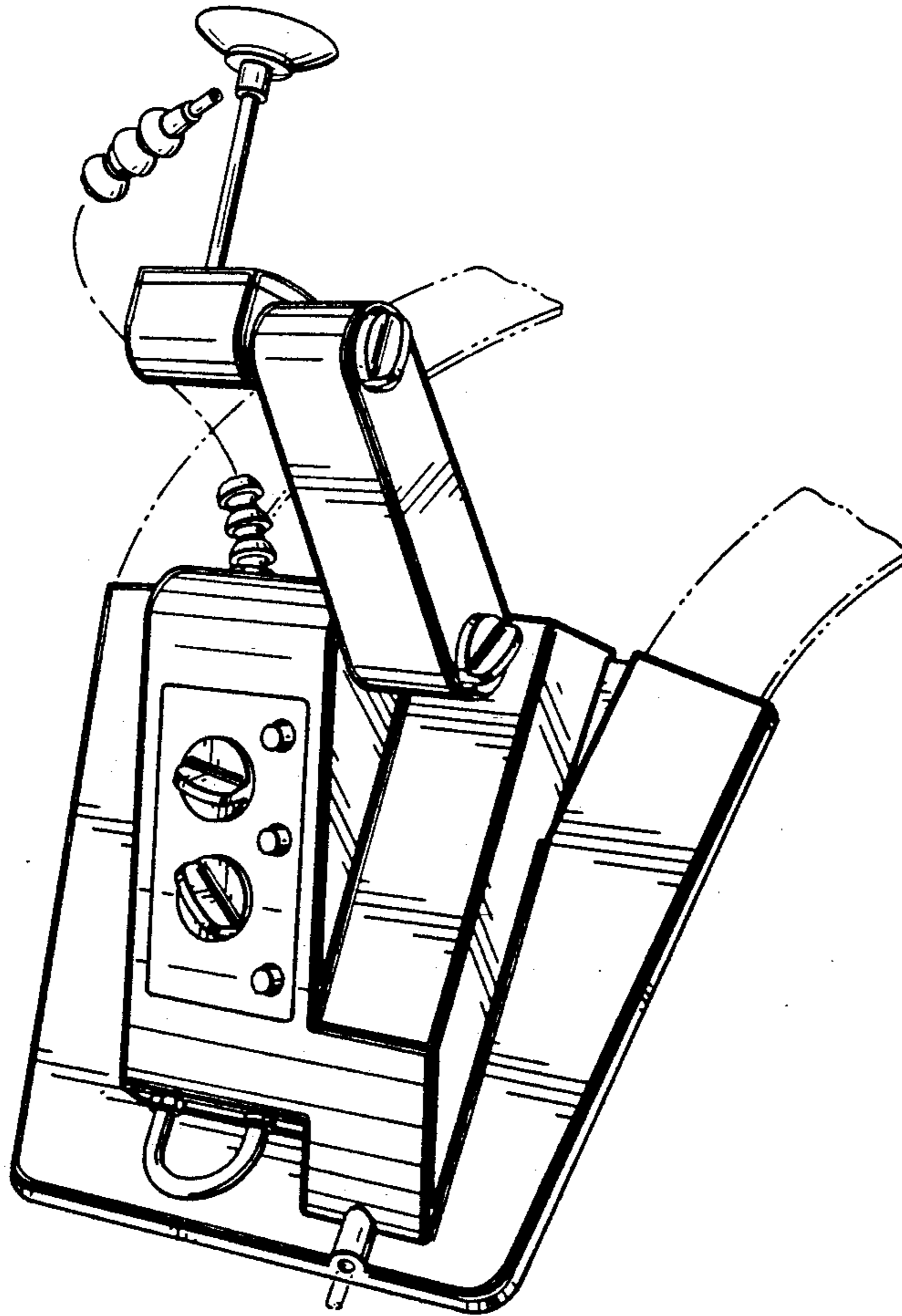
FIG. 1 is a perspective view of a hands free controller for video games showing my new design;
FIG. 2 is a front elevation thereof;
FIG. 3 is a right side elevation thereof;
FIG. 4 is a left side elevation thereof;
FIG. 5 is a top plan thereof;
FIG. 6 is a rear elevation thereof; and,
FIG. 7 is a bottom plan view thereof.

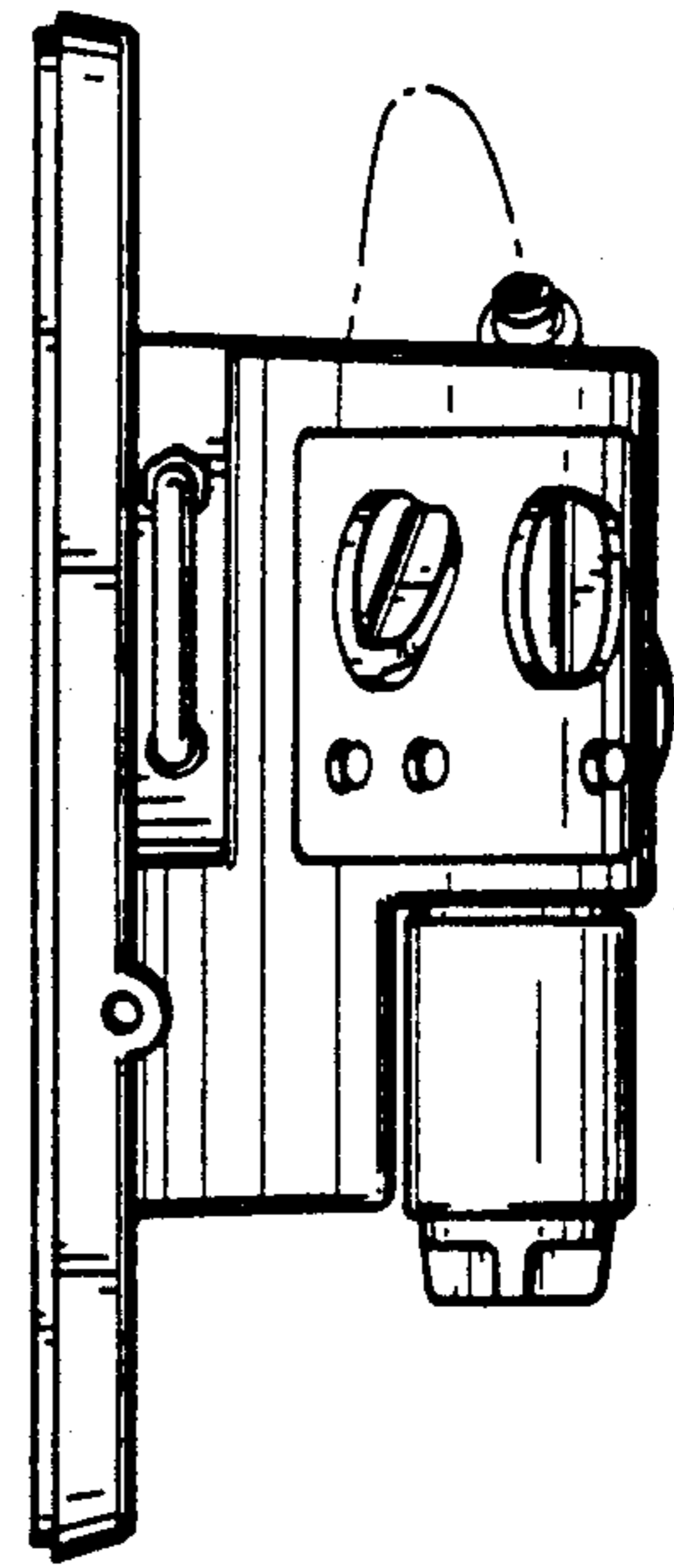
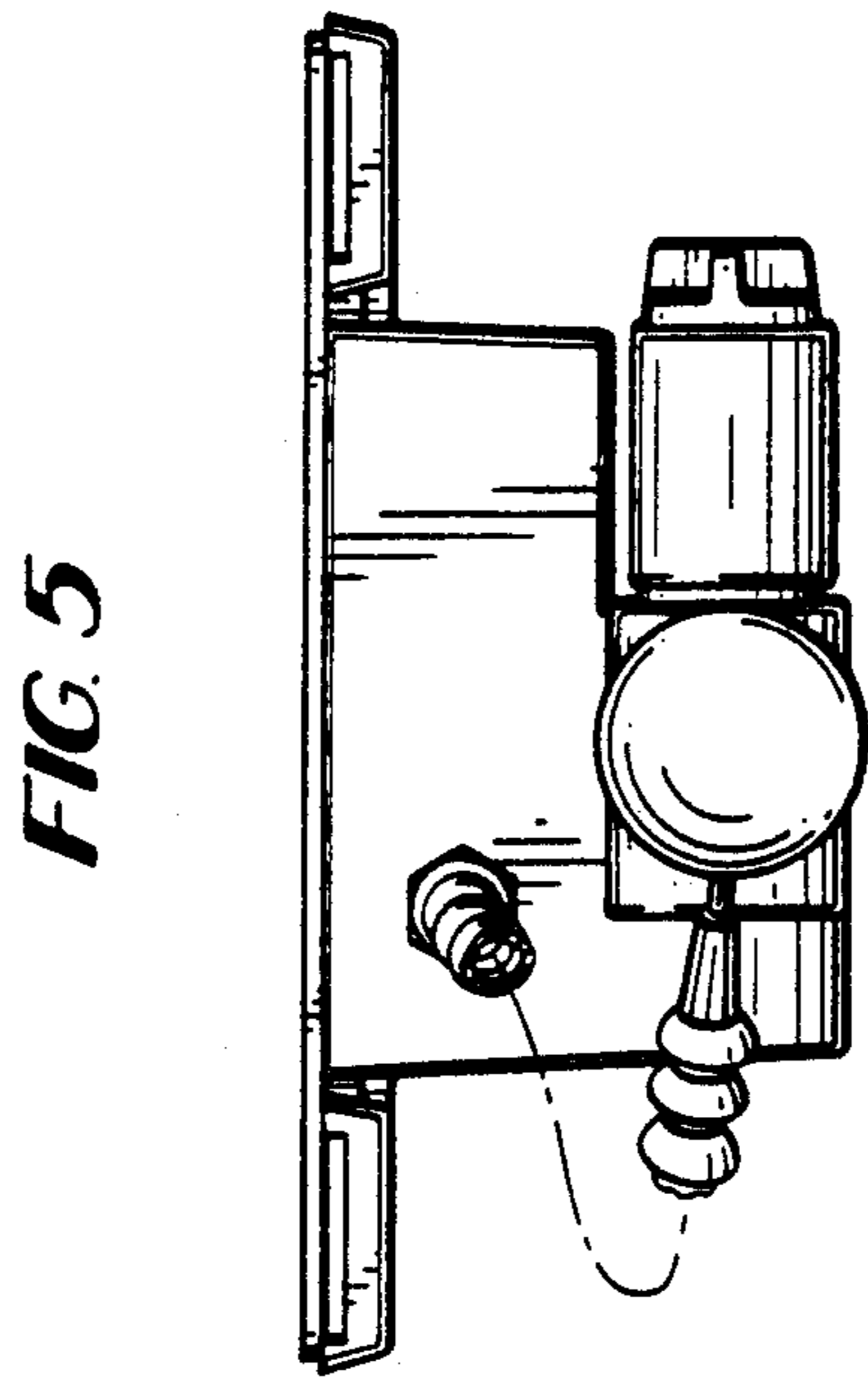
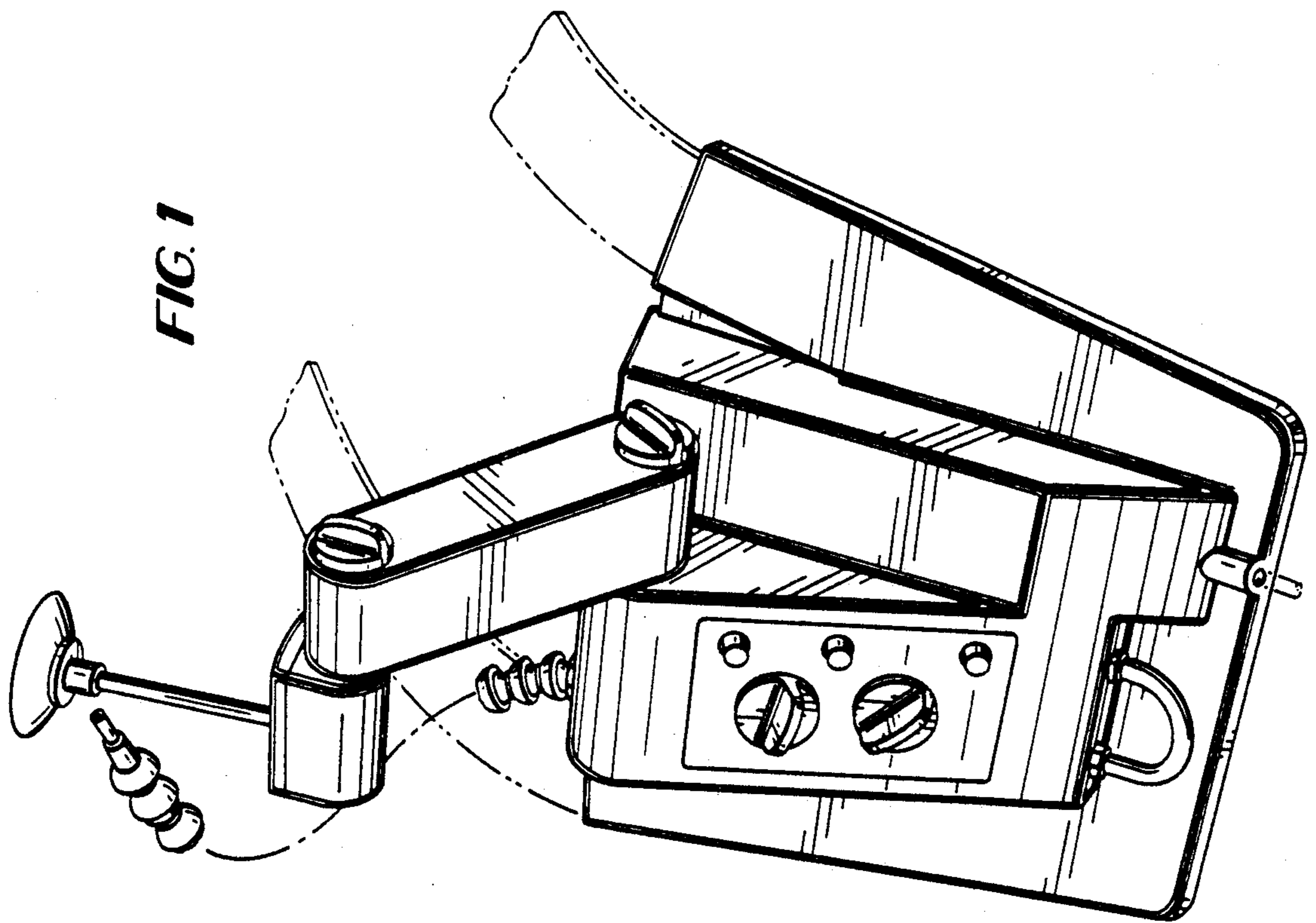
[56] References Cited

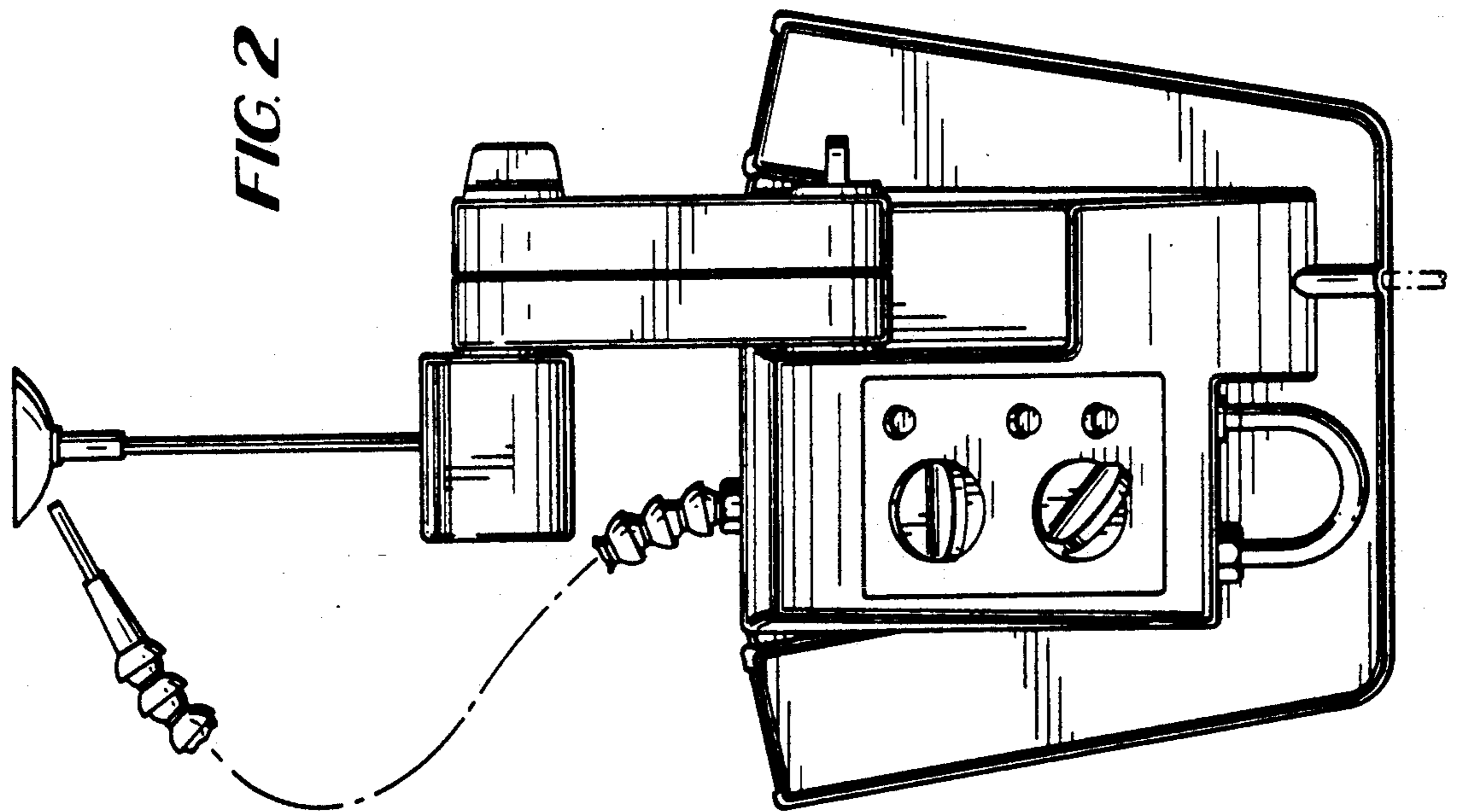
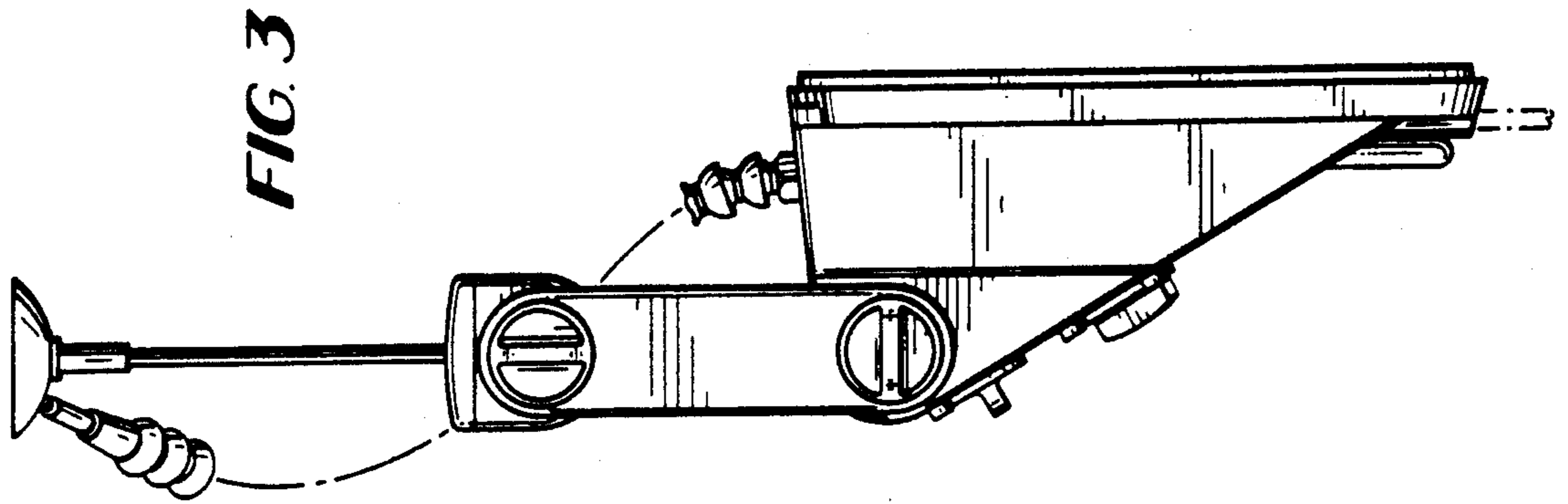
U.S. PATENT DOCUMENTS

3,215,433	11/1965	Malcom, Jr.	273/148 B
3,294,401	12/1966	Nicholas et al.	273/311
3,361,091	1/1968	Inman	273/148 B X
4,988,111	1/1991	Gerlit et al.	273/DIG. 17 X

The broken lines showing a harness strap in FIG. 1 is for illustrative purpose and forms no part of the claim. The flexible conduit shown in broken lines is for ease of illustration.







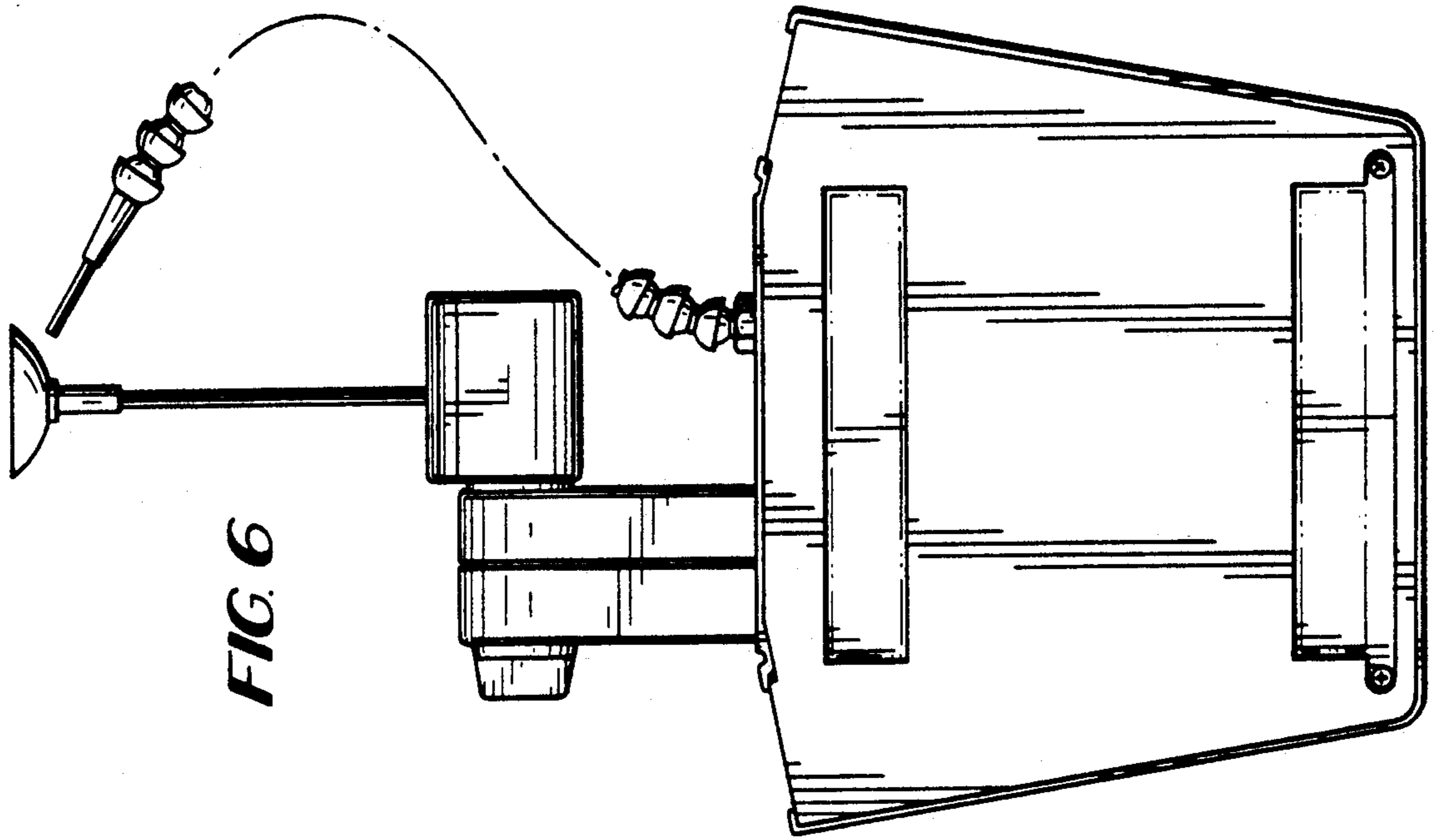


FIG. 6

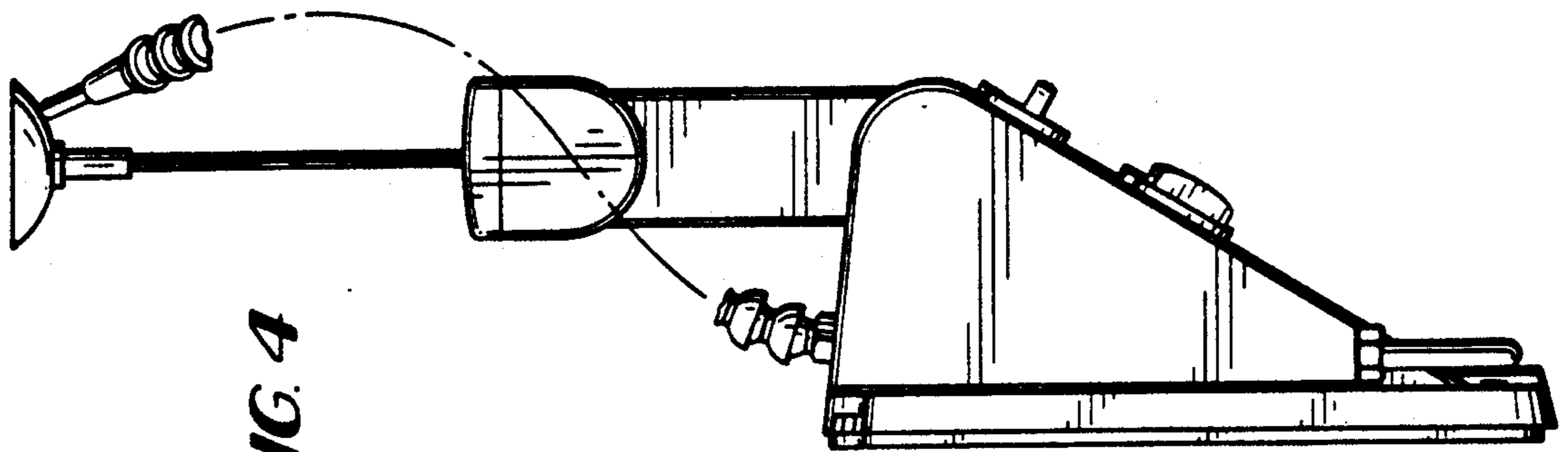


FIG. 4