



US00D326111S

# United States Patent [19]

[11] Patent Number: **Des. 326,111**

Otsuka et al.

[45] Date of Patent: **\*\* May 12, 1992**

[54] **PRINTING HEAD FOR A PRINTER**

[75] Inventors: **Fumio Otsuka; Yoshihiro Ohno**, both of Tokyo, Japan

[73] Assignee: **Seikosha Co., Ltd.**, Tokyo, Japan

[\*\*] Term: **14 Years**

[21] Appl. No.: **521,465**

[22] Filed: **May 8, 1990**

[30] **Foreign Application Priority Data**

Nov. 8, 1989 [JP] Japan ..... 1-40769

[52] U.S. Cl. .... **D18/56**

[58] Field of Search ..... 400/124, 121, 175, 126; D18/40, 56-58; 346/140 PD

[56] **References Cited**

**U.S. PATENT DOCUMENTS**

- D. 313,427 1/1991 Saeki ..... D18/56
- D. 314,007 1/1991 Kimura et al. .... D18/56

- D. 314,210 1/1991 Kimura et al. .... D18/56
- 4,736,213 4/1988 Piatt et al. .... 400/175
- 4,854,753 8/1989 Kobata ..... 400/175

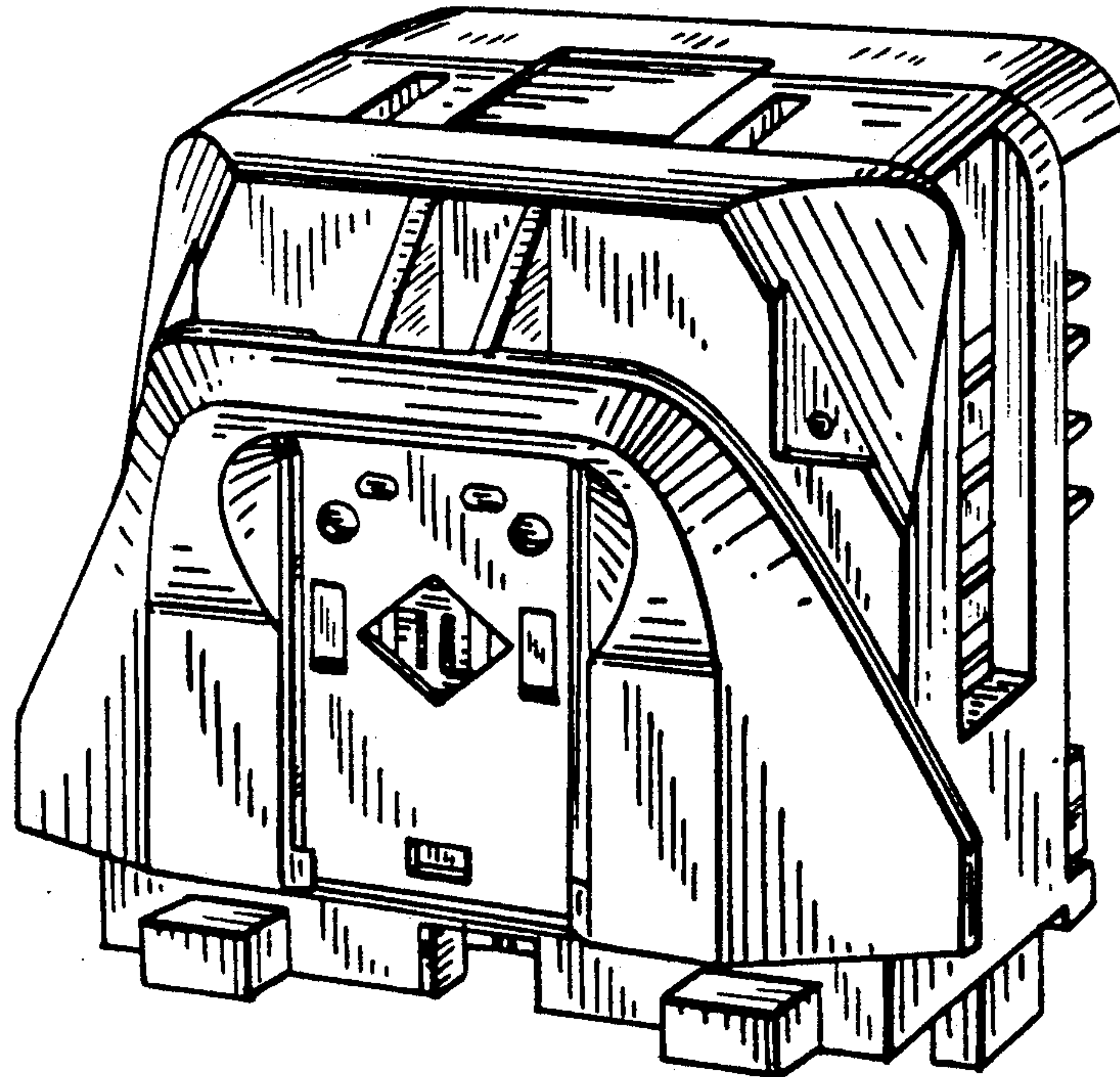
*Primary Examiner*—A. Hugo Word  
*Assistant Examiner*—CathyAnne MacCormac  
*Attorney, Agent, or Firm*—Jordan and Hamburg

[57] **CLAIM**

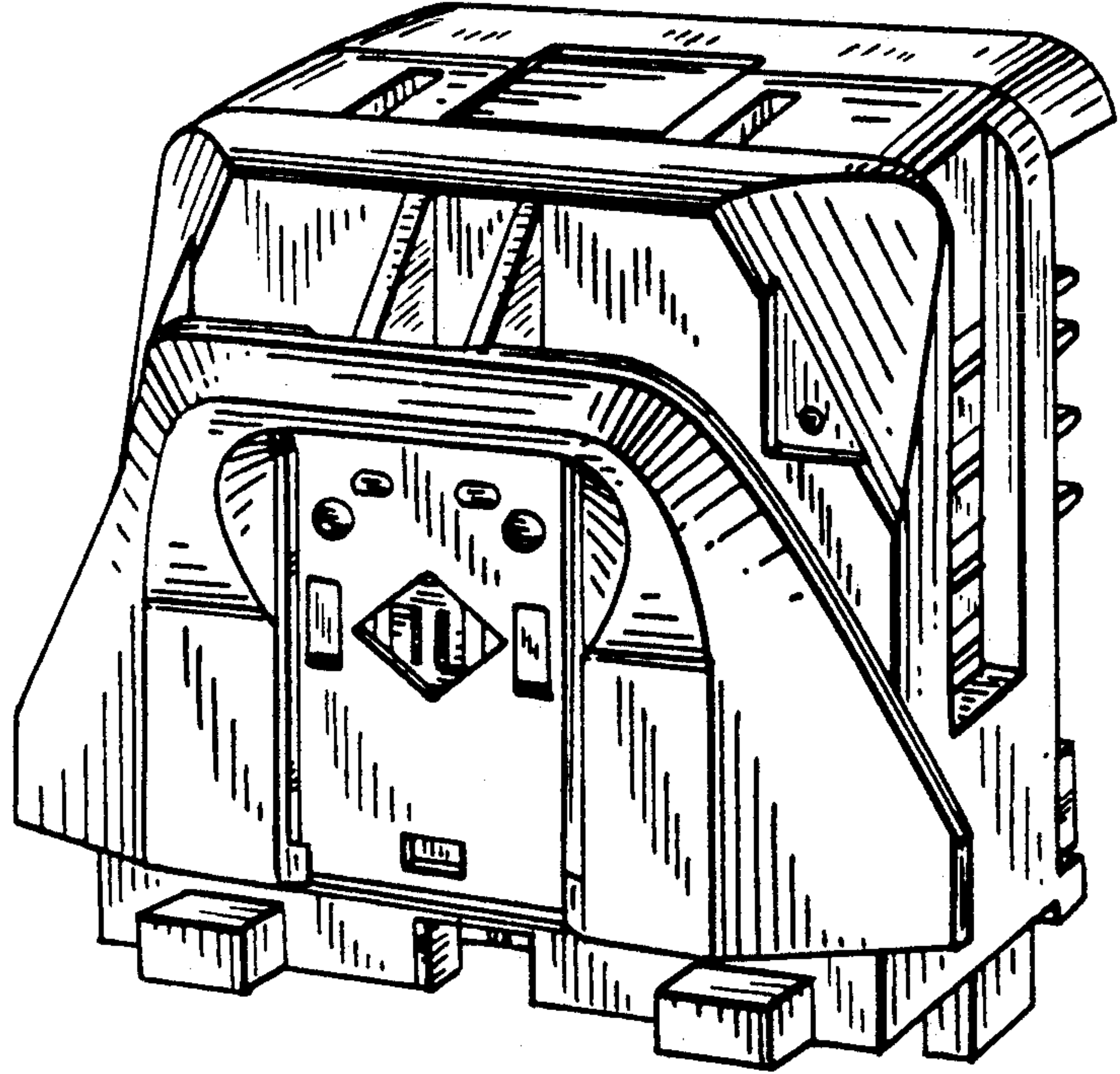
The ornamental design for a printing head for a printer, as shown.

**DESCRIPTION**

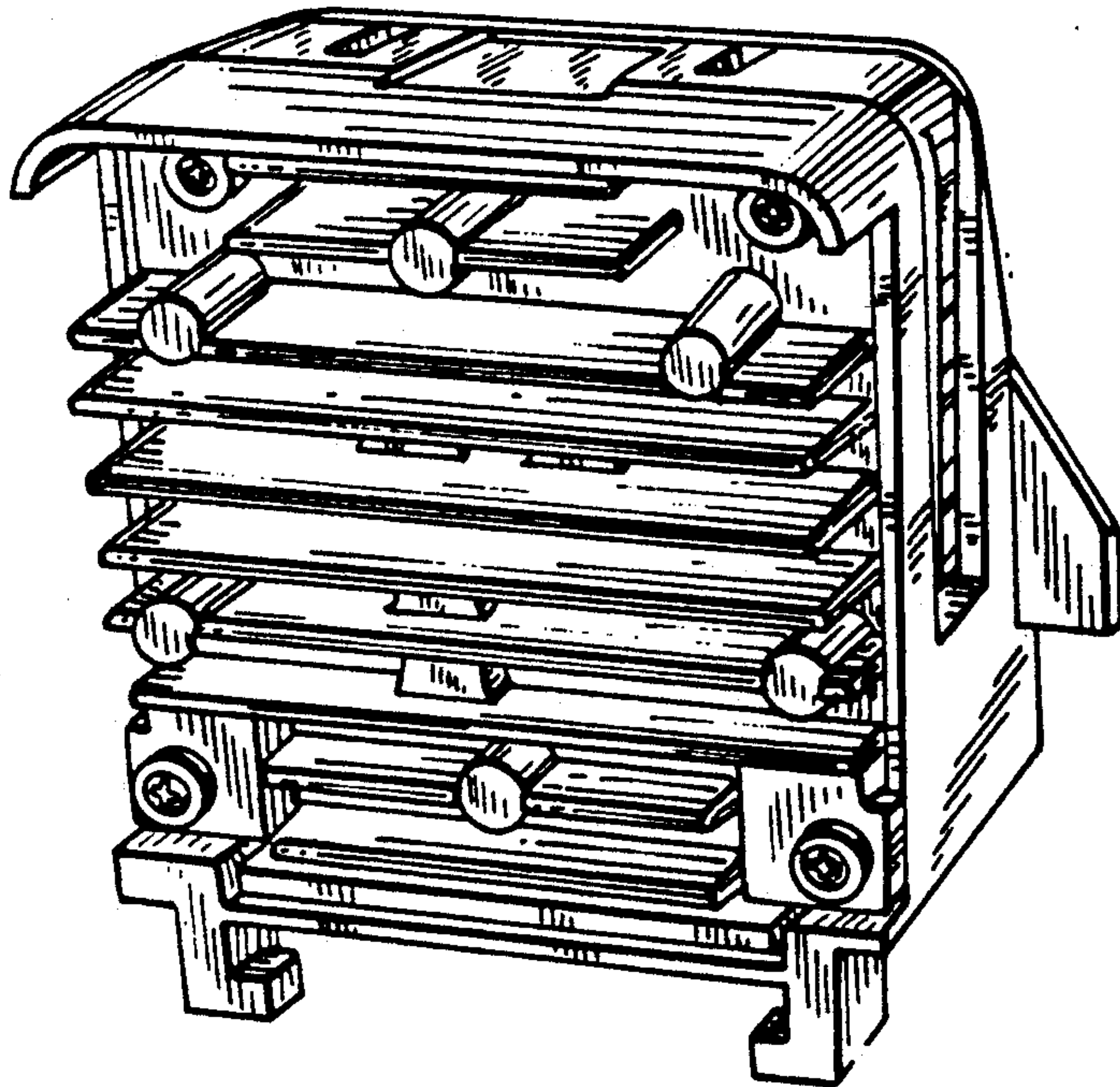
FIG. 1 is a front perspective view of a printing head for a printer showing our new design; FIG. 2 is a rear perspective view thereof; FIG. 3 is a top plan view thereof; FIG. 4 is a front elevational view thereof; FIG. 5 is a right side elevational view thereof; FIG. 6 is a left side elevational view thereof; FIG. 7 is a rear elevational view thereof; and, FIG. 8 is a bottom plan view thereof.



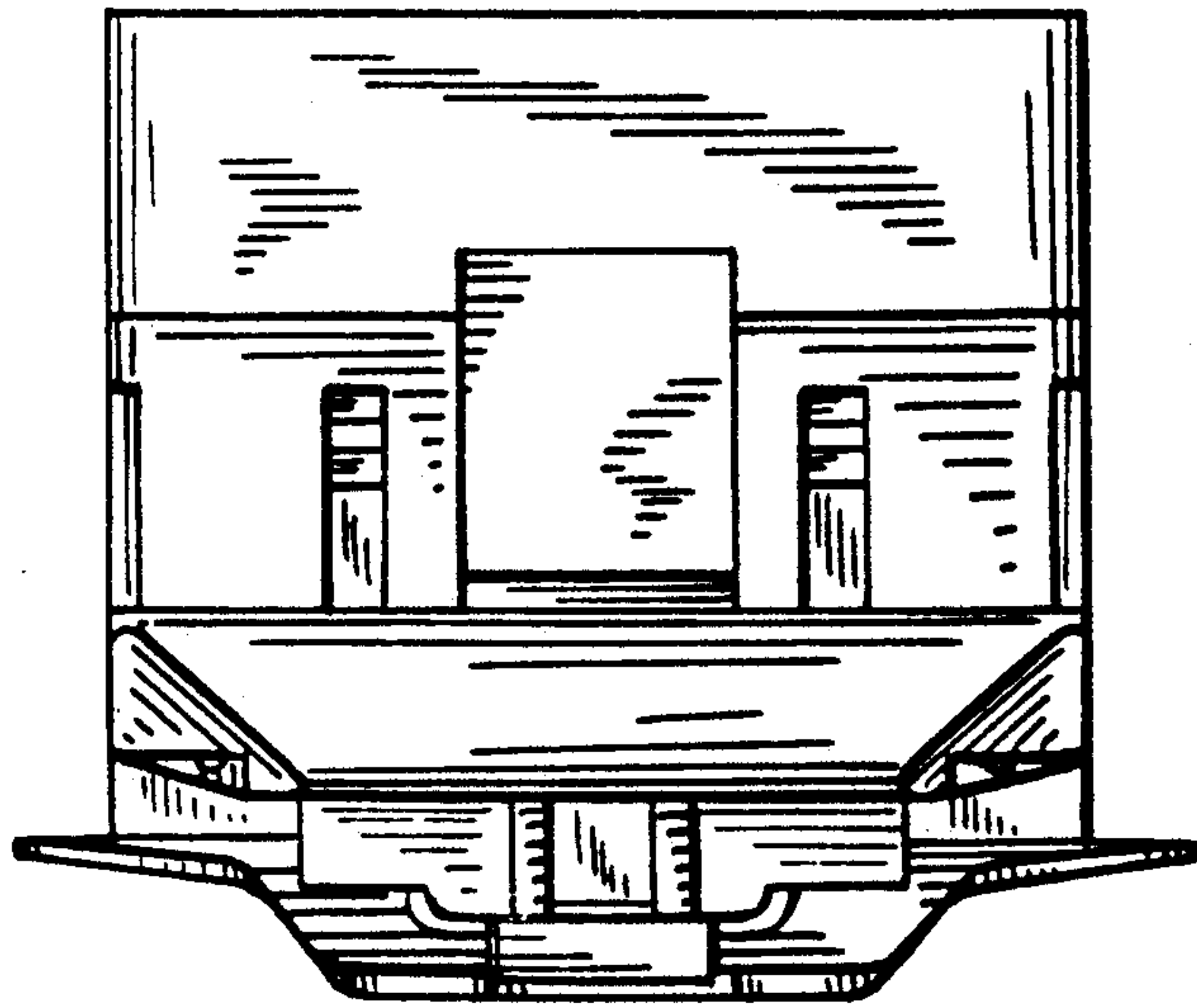
*FIG. 1*



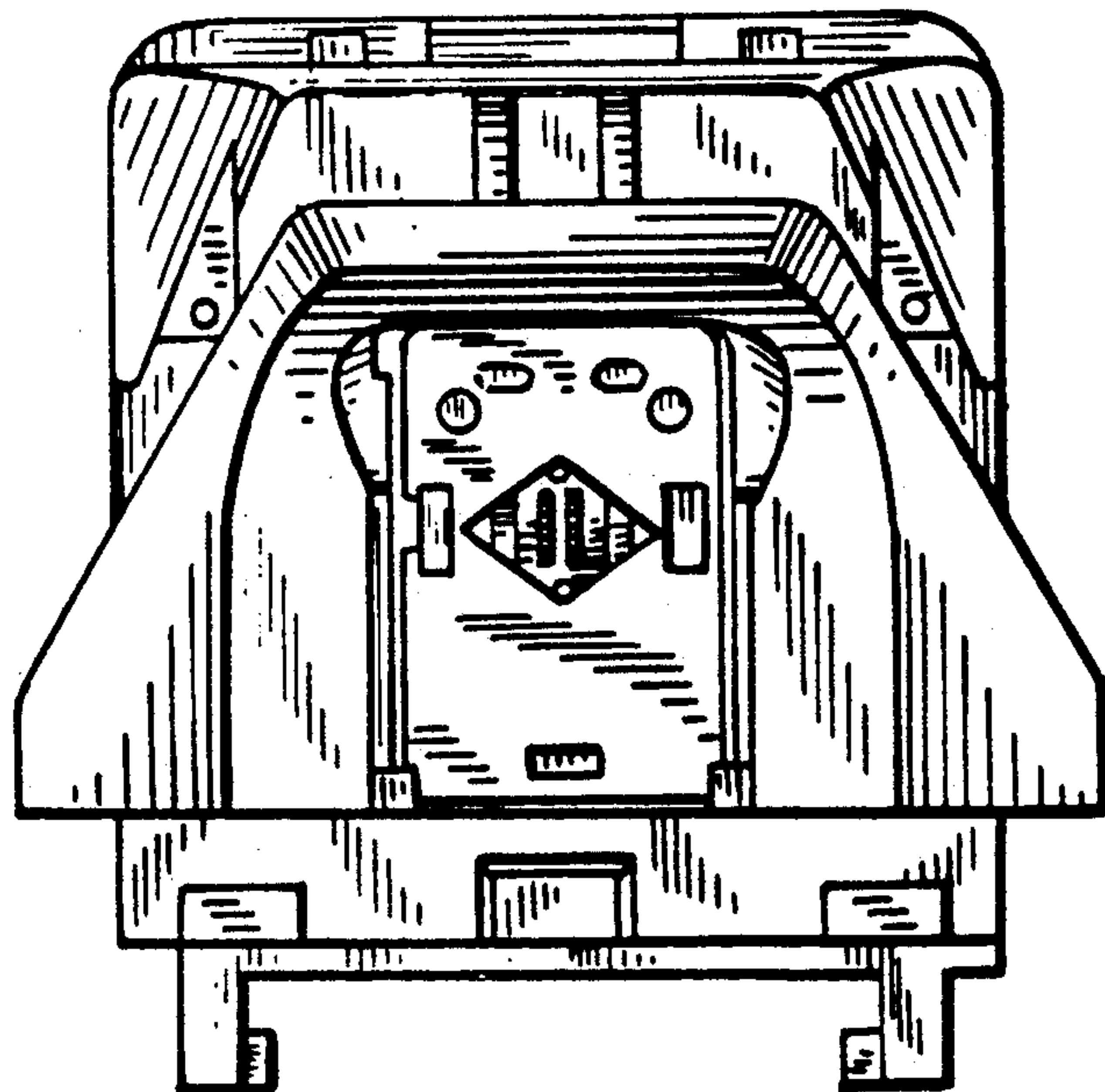
*FIG. 2*



**FIG. 3**

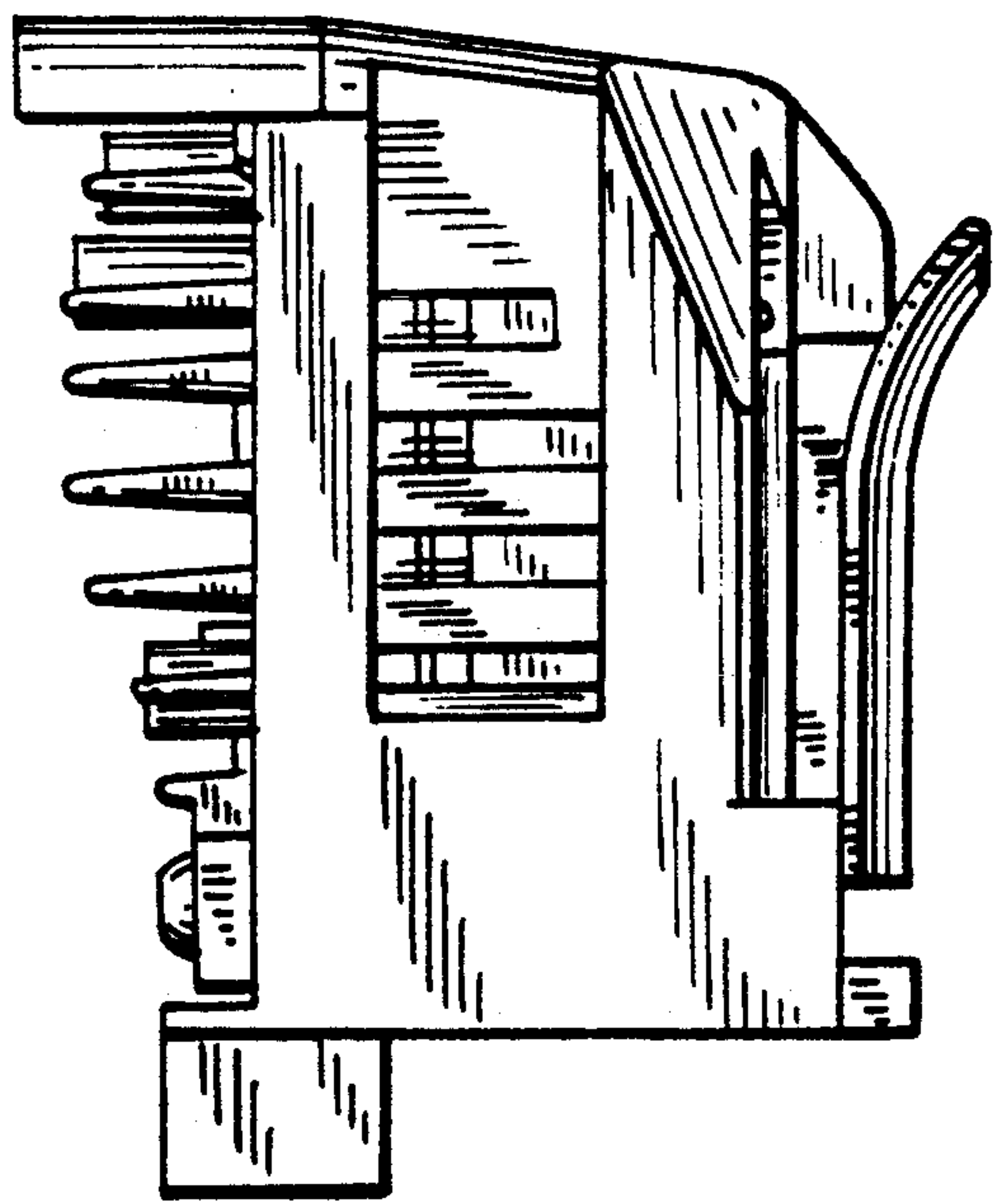
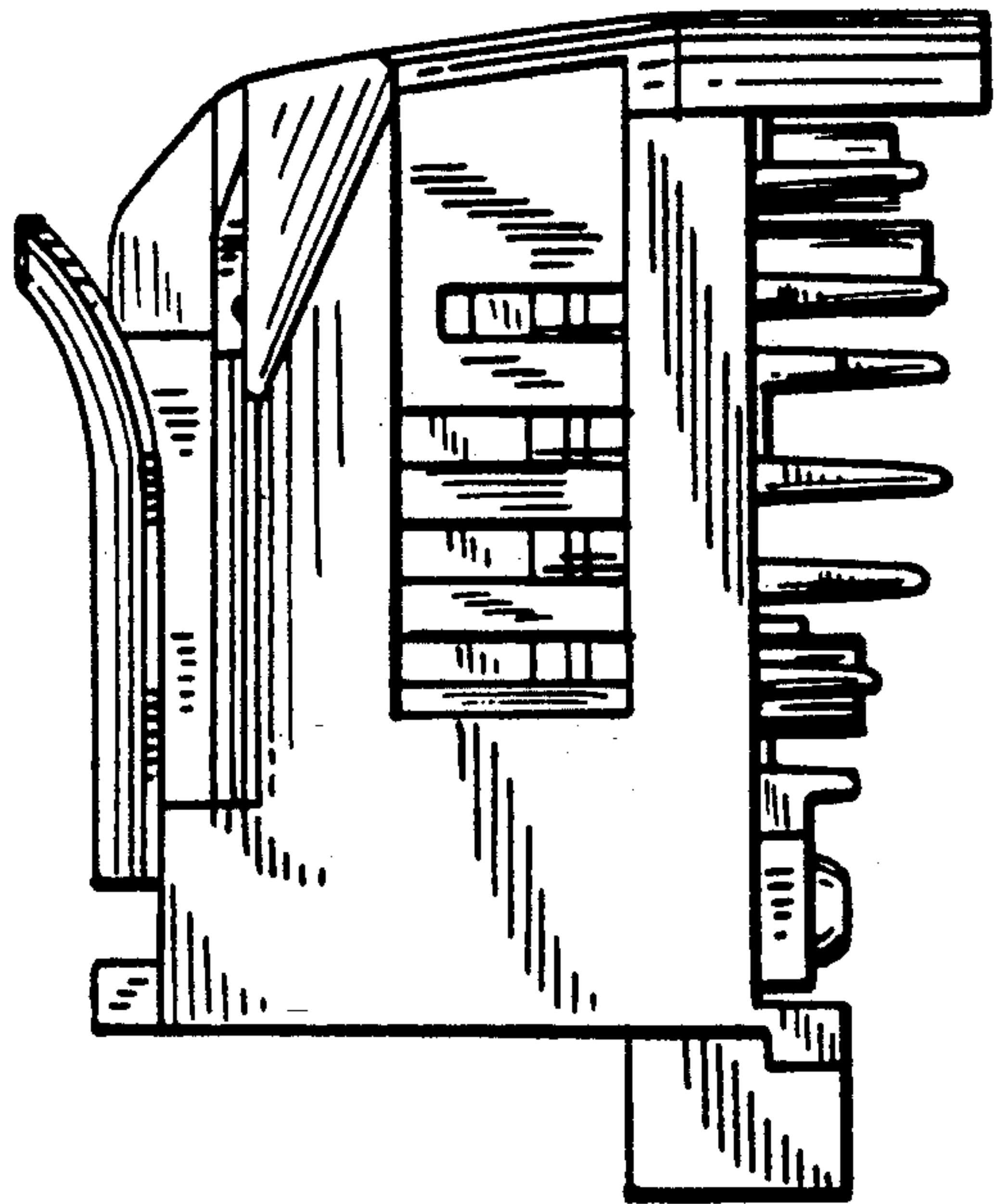


**FIG. 4**



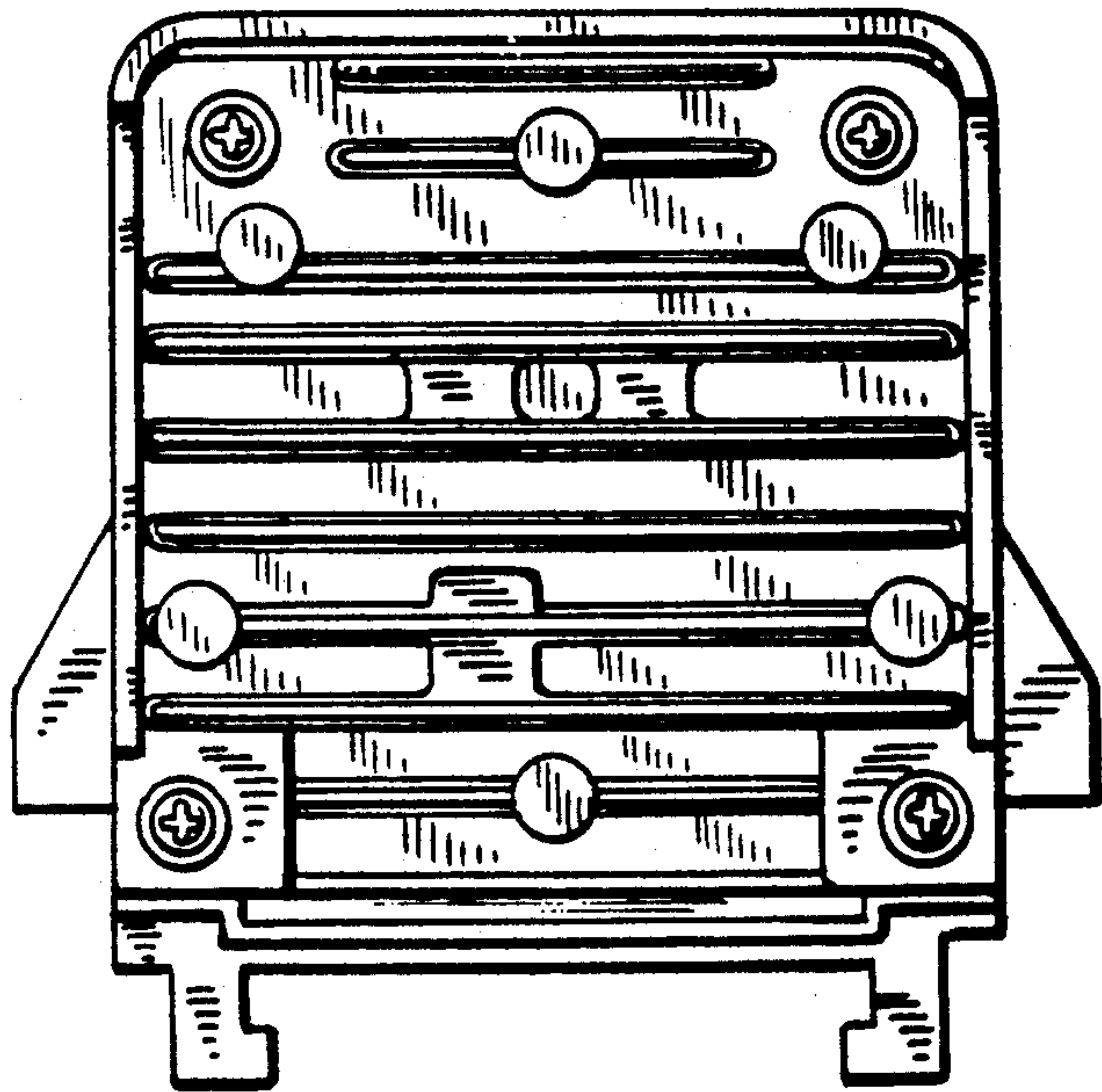


**FIG. 5**



**FIG. 6**

**FIG. 7**



**FIG. 8**

