



US00D326108S

United States Patent [19]

[11] Patent Number: **Des. 326,108**

Sassmannshausen

[45] Date of Patent: **** May 12, 1992**

[54] **SUPPORT UNIT FOR TOM-TOM DRUMS**

3,191,484	6/1965	Walling	84/421
3,535,976	10/1970	Osuga	84/421
3,704,645	12/1972	Grauso et al.	84/421
4,141,272	2/1979	Yanagisawa	84/421

[75] Inventor: **Werner Sassmannshausen, Bad Berleburg, Fed. Rep. of Germany**

[73] Assignee: **Johs. Link GmbH & Co. KG, Bad Berleburg, Fed. Rep. of Germany**

[**] Term: **14 Years**

[21] Appl. No.: **452,953**

[22] Filed: **Dec. 19, 1989**

[30] **Foreign Application Priority Data**

Jun. 19, 1989	[DE]	Fed. Rep. of Germany	M 89 04 321.9
Jun. 19, 1989	[DE]	Fed. Rep. of Germany	M 89 04 322.7

[52] U.S. Cl. **D17/22**

[58] Field of Search **D17/22, 99; D21/64; 84/403, 421, 453; 248/124**

[56] **References Cited**

U.S. PATENT DOCUMENTS

D. 292,218 10/1987 Corder **D17/22**

OTHER PUBLICATIONS

Grossman Music Corp. Catalog, 1968, p. 25.

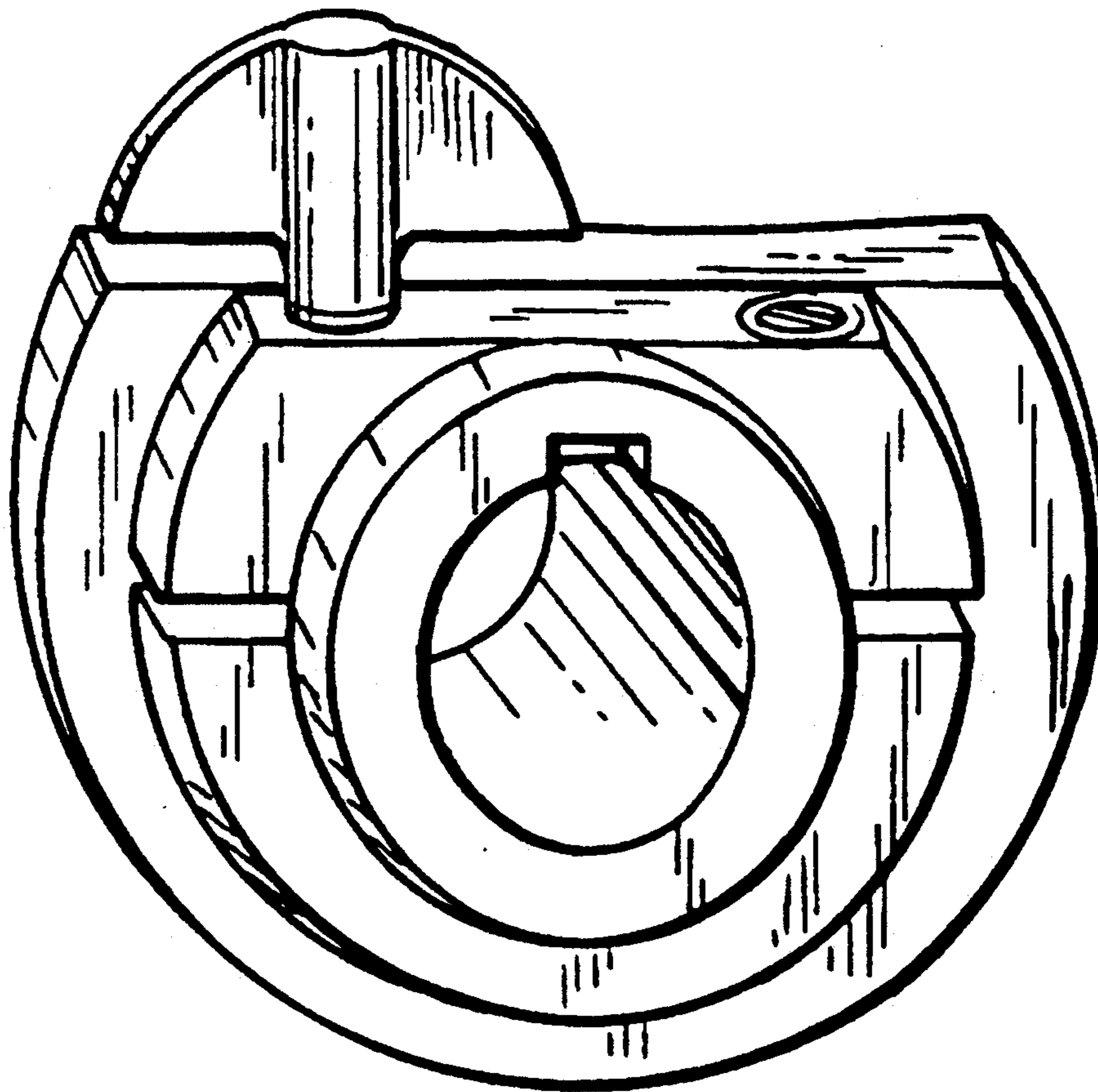
Primary Examiner—Bernard Ansher
Assistant Examiner—Adir Aronovich
Attorney, Agent, or Firm—Toren, McGeady & Associates

[57] **CLAIM**

The ornamental design for support unit for tom-tom drums, as shown.

DESCRIPTION

FIG. 1 is a top front perspective view of a support unit for tom-tom drums showing our new design; FIG. 2 is a side elevational view thereof; FIG. 3 is a front elevational view thereof; FIG. 4 is a top plan view thereof; FIG. 5 is a rear elevational view thereof; and, FIG. 6 is a bottom plan view thereof.



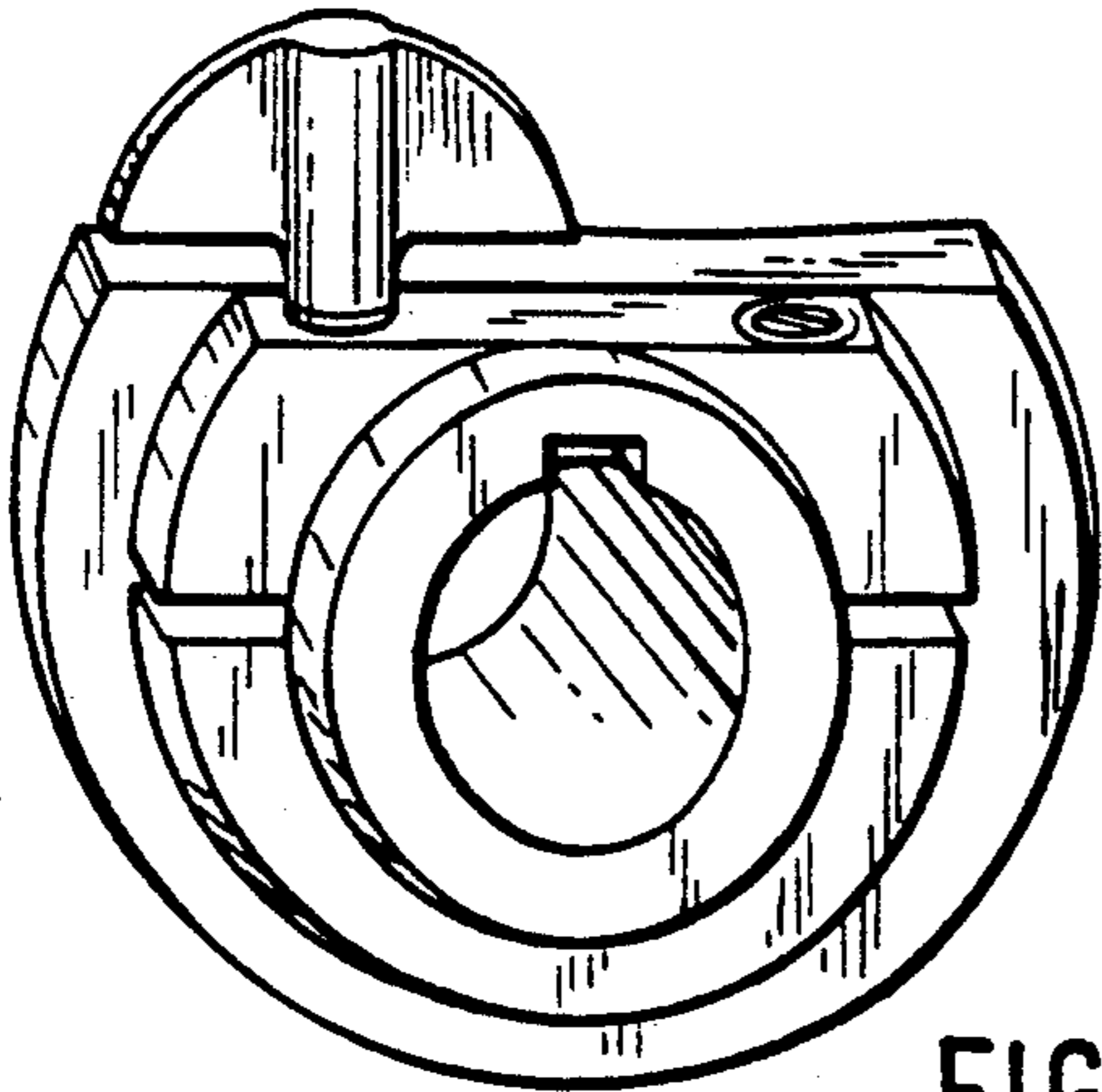


FIG. 1

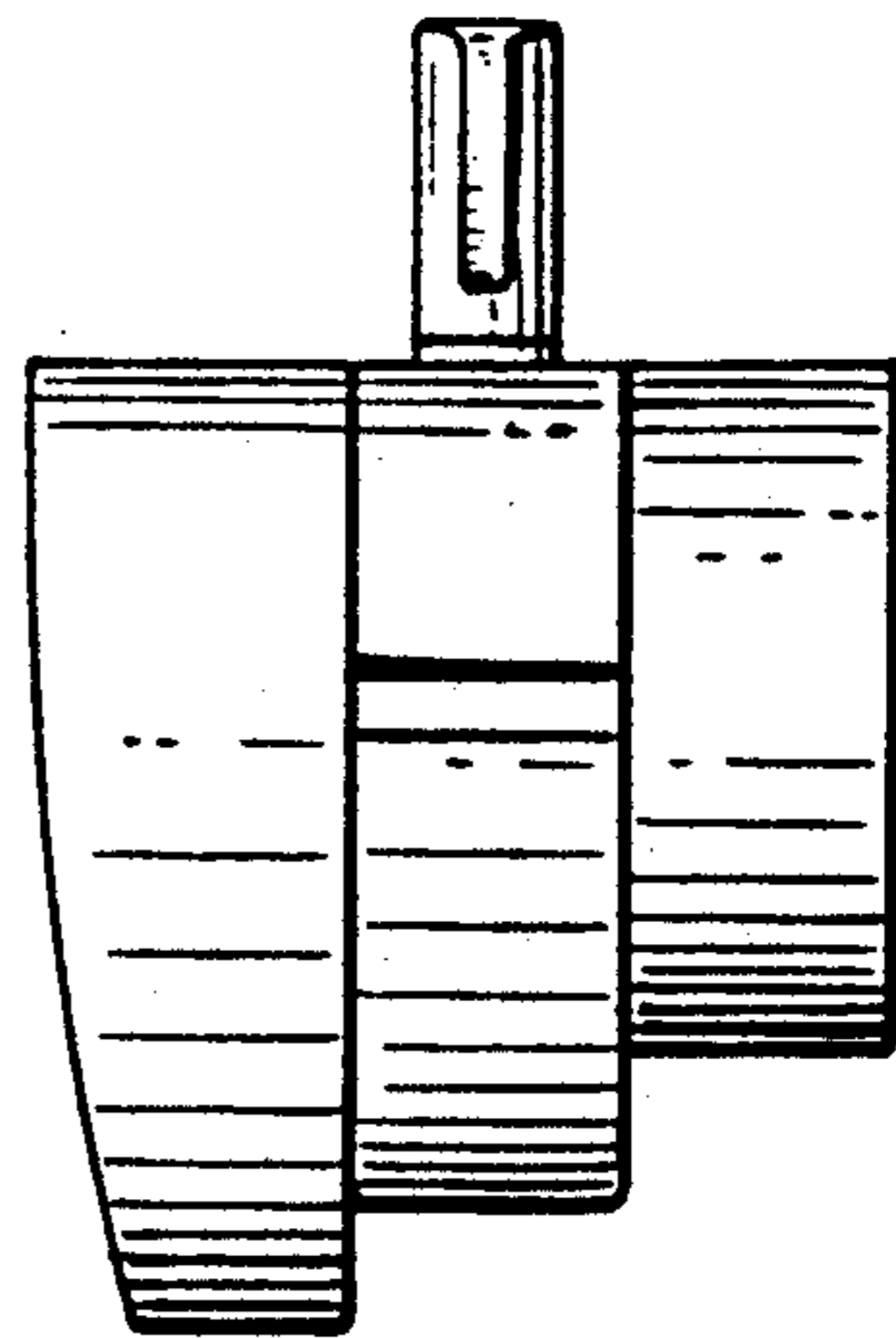


FIG. 2

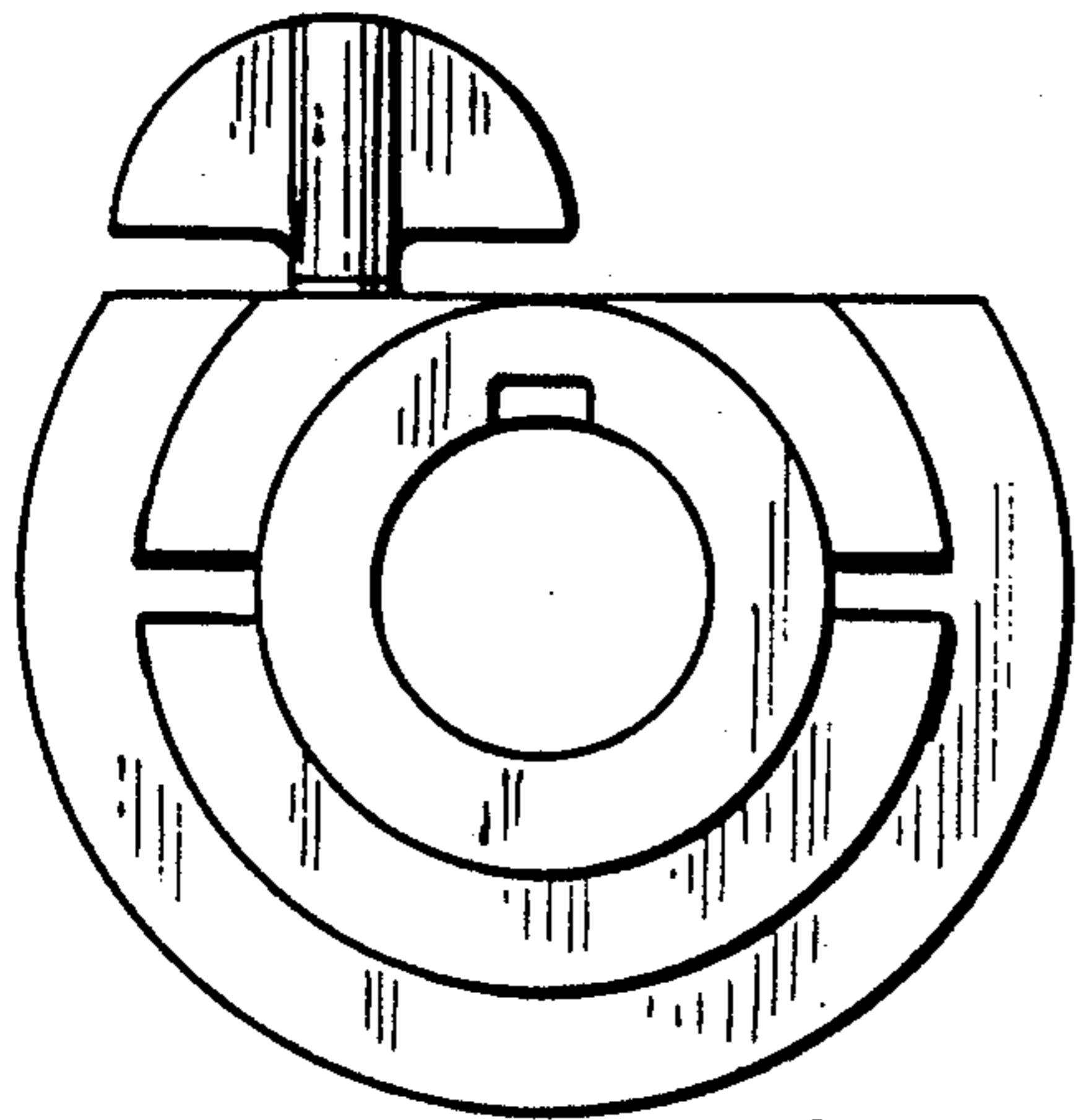


FIG. 3

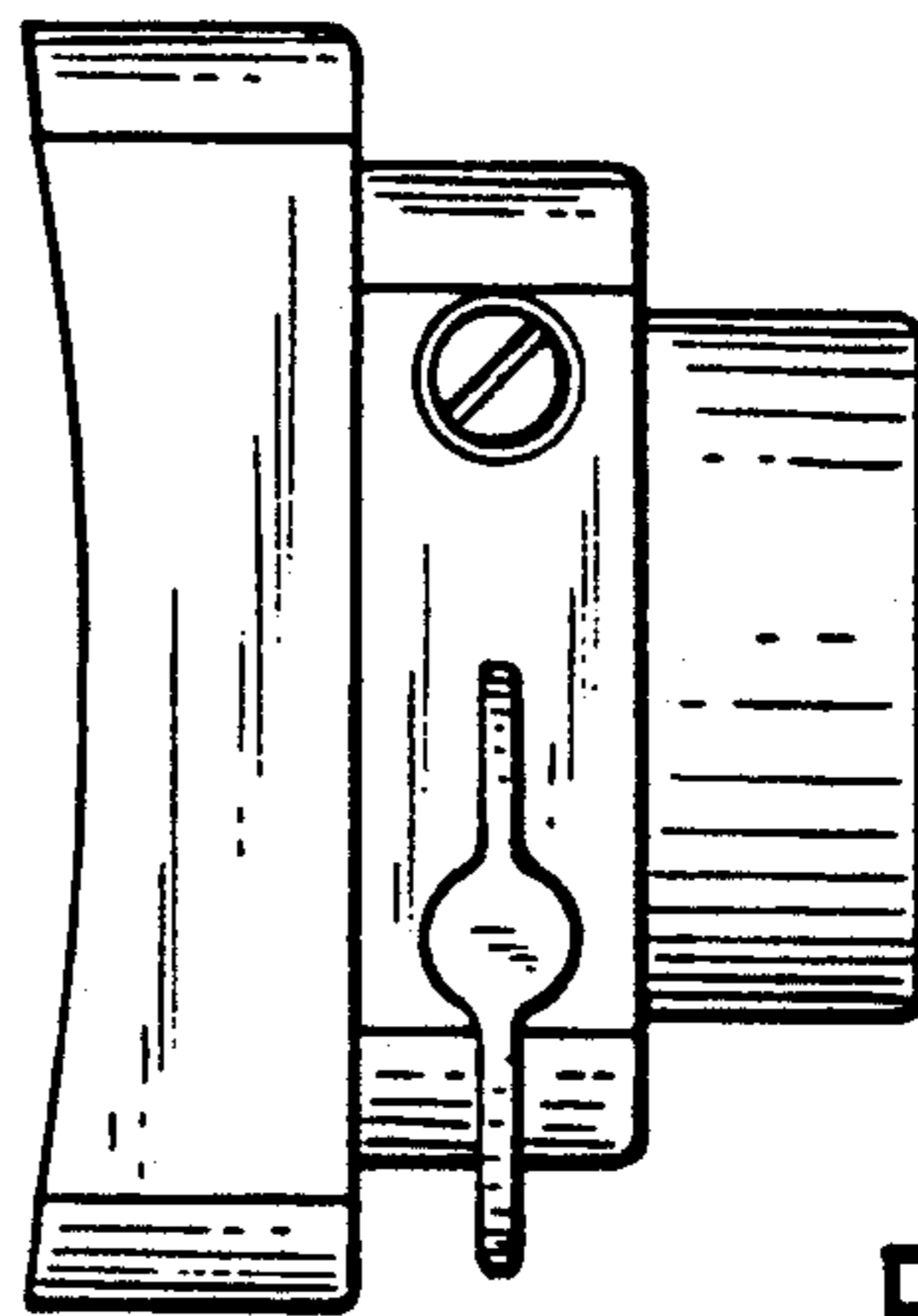


FIG. 4

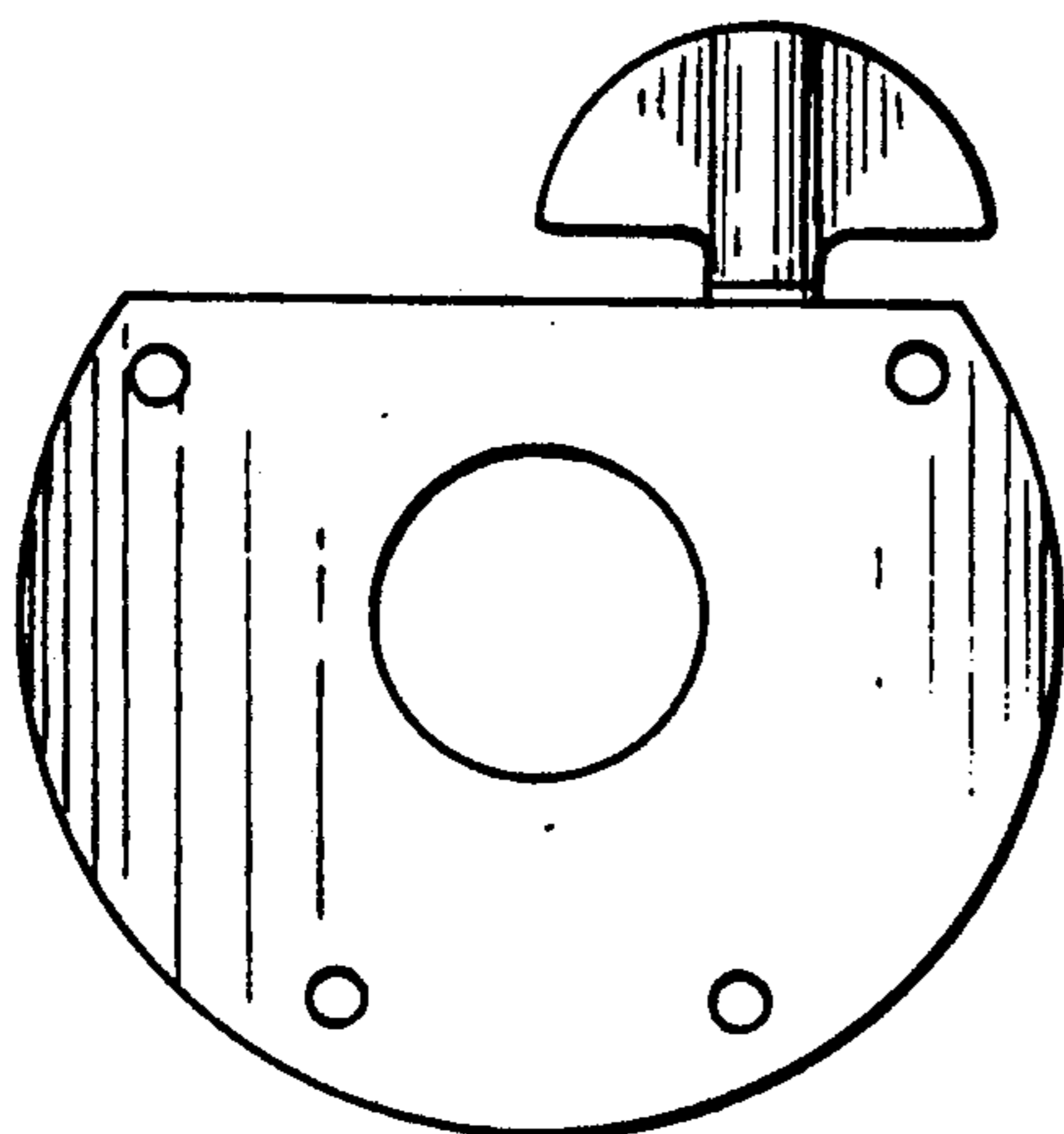


FIG. 5

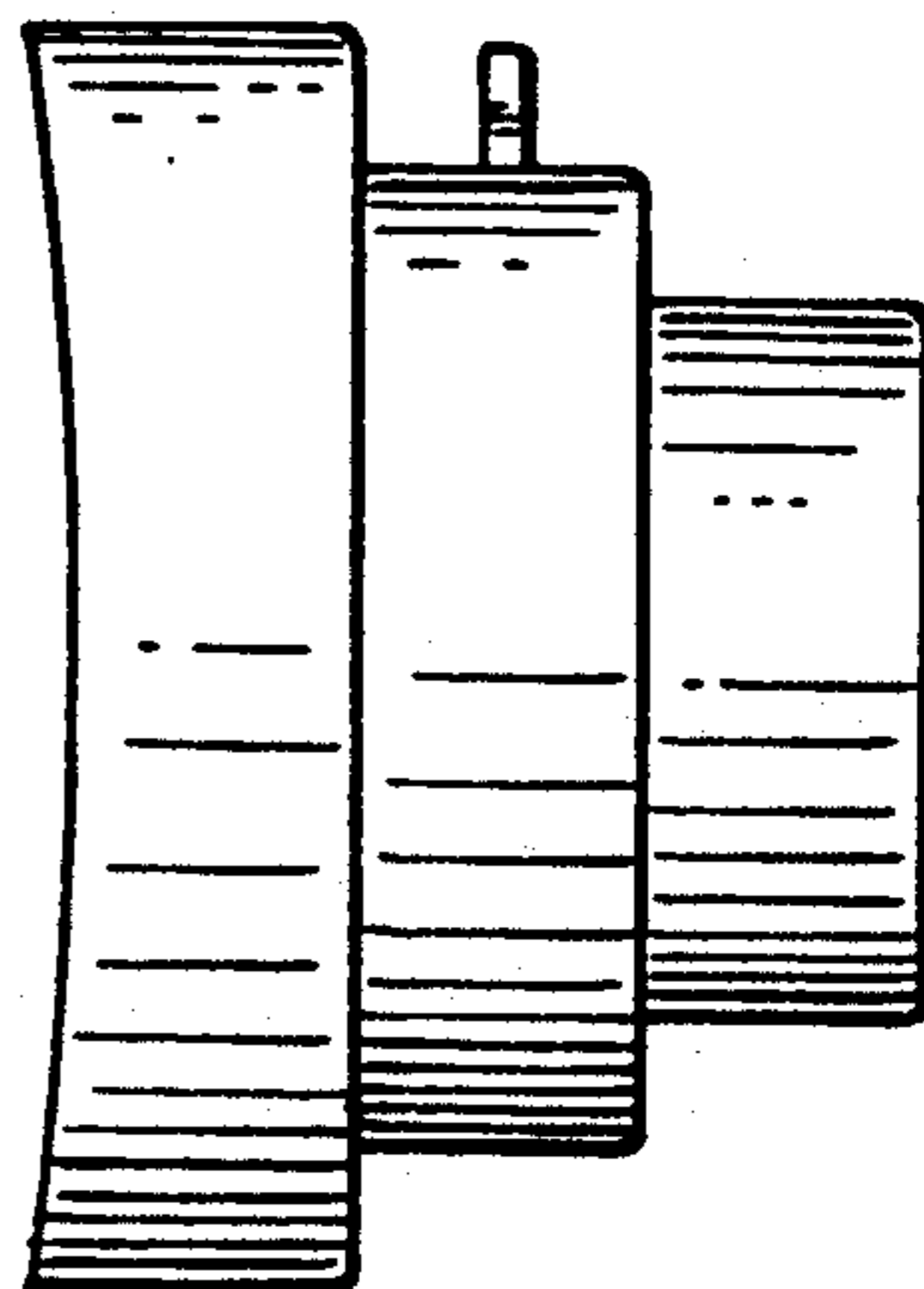


FIG. 6