



US00D326105S

United States Patent [19]

[11] Patent Number: **Des. 326,105**

Doi

[45] Date of Patent: **** May 12, 1992**

[54] **TRIPOD FOR CAMERA**

[76] Inventor: **Katsumi Doi**, 10-31,
Tamakushimotomachi 1-chome,
Higashiosaka-shi, Osaka, Japan

[**] Term: **14 Years**

[21] Appl. No.: **400,051**

[22] Filed: **Aug. 29, 1989**

[52] U.S. Cl. **D16/244**

[58] Field of Search **D16/200, 204, 209, 218,**
D16/236, 244; 248/163.1, 165, 166, 122,
177-180, 187, 431, 434; 354/81, 82, 292, 293

[56] **References Cited**

U.S. PATENT DOCUMENTS

D. 146,167	1/1947	Bentzman	D16/244
D. 149,878	6/1948	Kammermyer	D16/244
D. 179,828	3/1957	Welt	D16/244
D. 243,328	2/1977	Kawazoe	D16/244
2,673,636	3/1954	Vermette	248/163.1
4,697,772	10/1987	Kosugi et al.	D16/244 X

Primary Examiner—Bernard Ansher
Assistant Examiner—Dominic Simone
Attorney, Agent, or Firm—Wenderoth, Lind & Ponack

[57] **CLAIM**

The ornamental design for a tripod for camera, substantially as shown.

DESCRIPTION

FIG. 1 is a front elevational view of a tripod for camera showing my new design;

FIG. 2 is a rear elevational view thereof;
 FIG. 3 is a top plan view thereof;
 FIG. 4 is a bottom plan view thereof;
 FIG. 5 is a left side elevational view thereof;
 FIG. 6 is an enlarged top plan view thereof, shown partially broken away for clarity of illustration;
 FIG. 7 is a right side elevational view thereof;
 FIG. 8 is a perspective view thereof;
 FIG. 9 is an enlarged front elevational view thereof, shown partially broken away for clarity of illustration;
 FIG. 10 is an enlarged cross-sectional view thereof, taken in the direction of the arrows along line 10—10 of FIG. 9, shown partially broken away for clarity of illustration;
 FIG. 11 is an enlarged right side elevational view thereof, shown partially broken away for clarity of illustration;
 FIG. 12 is an enlarged cross-sectional view thereof, taken in the direction of the arrows along the line 12—12 of FIG. 11, shown partially broken away for clarity of illustration;
 FIG. 13 is a front elevational view thereof, the legs completely extended;
 FIG. 14 is a front elevational view thereof, the legs completely collapsed;
 FIG. 15 is an enlarged left side elevational view thereof showing a camera in broken lines mounted on the tripod; and,
 FIG. 16 is an enlarged left side elevational view thereof showing the tripod and broken line camera in FIG. 15 adjusted in a different position.
 The broken lines showing the camera in FIGS. 15 and 16 are for illustrative purposes only and form no part of the claimed design.

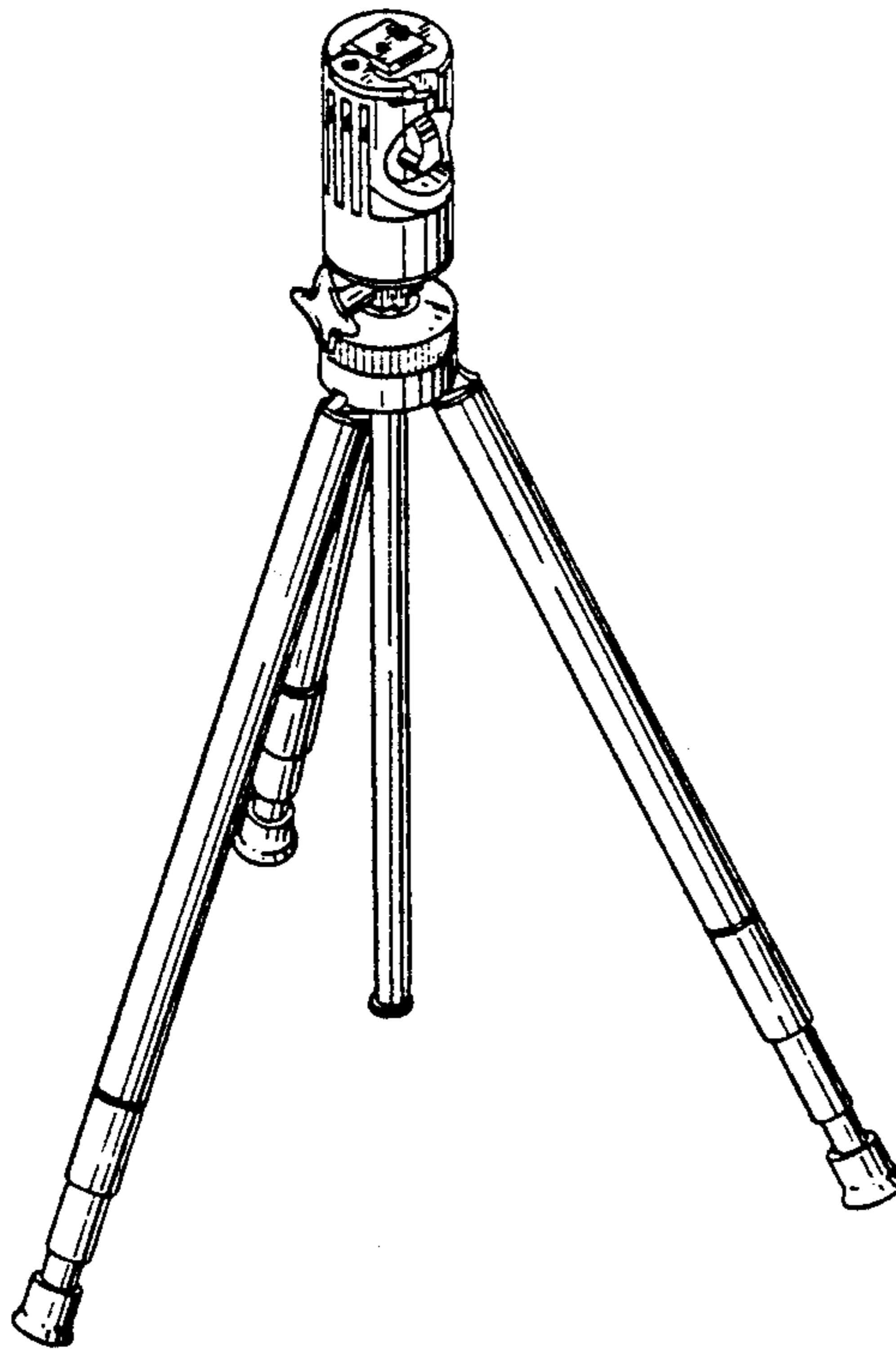


FIG.1

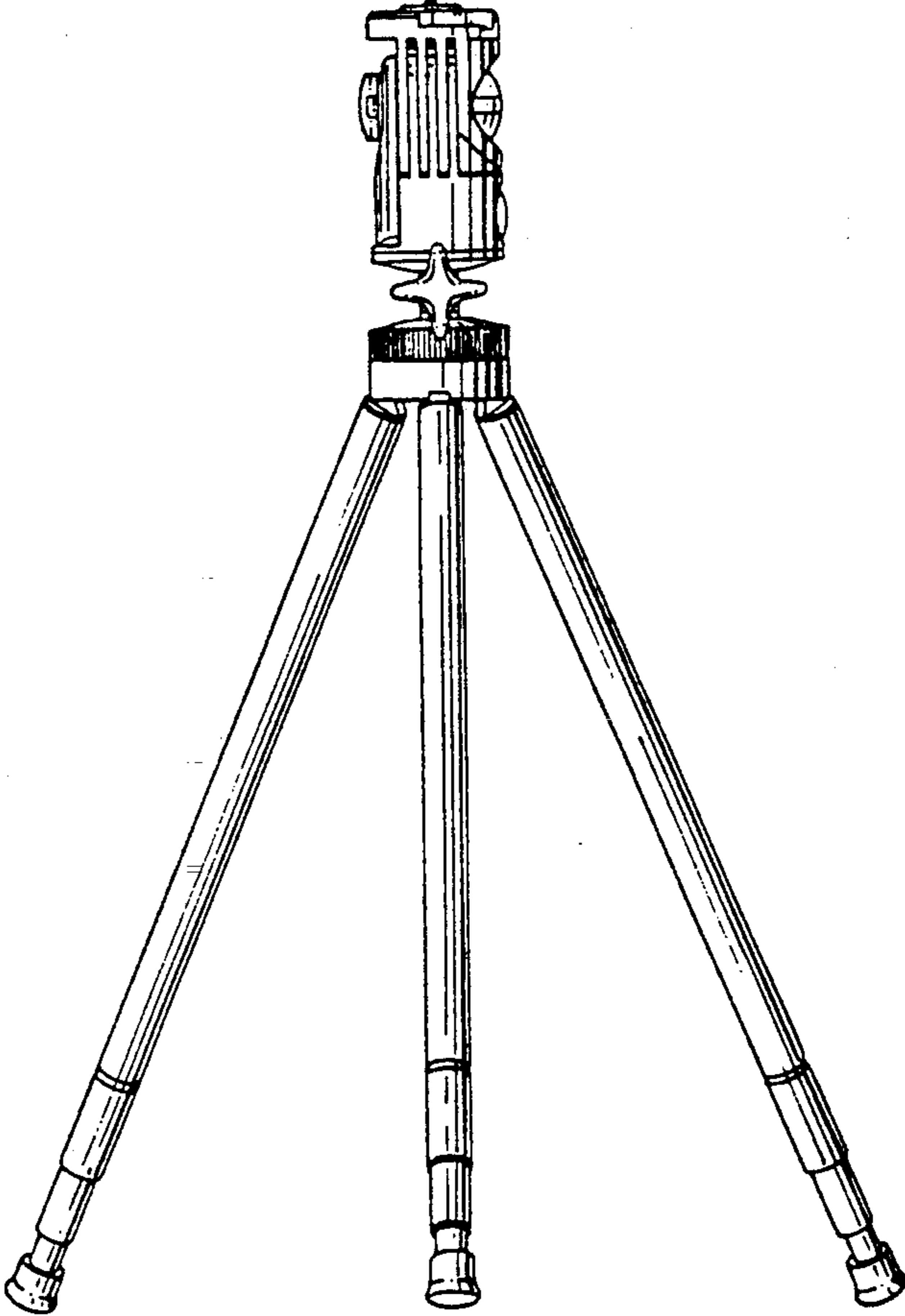


FIG.2

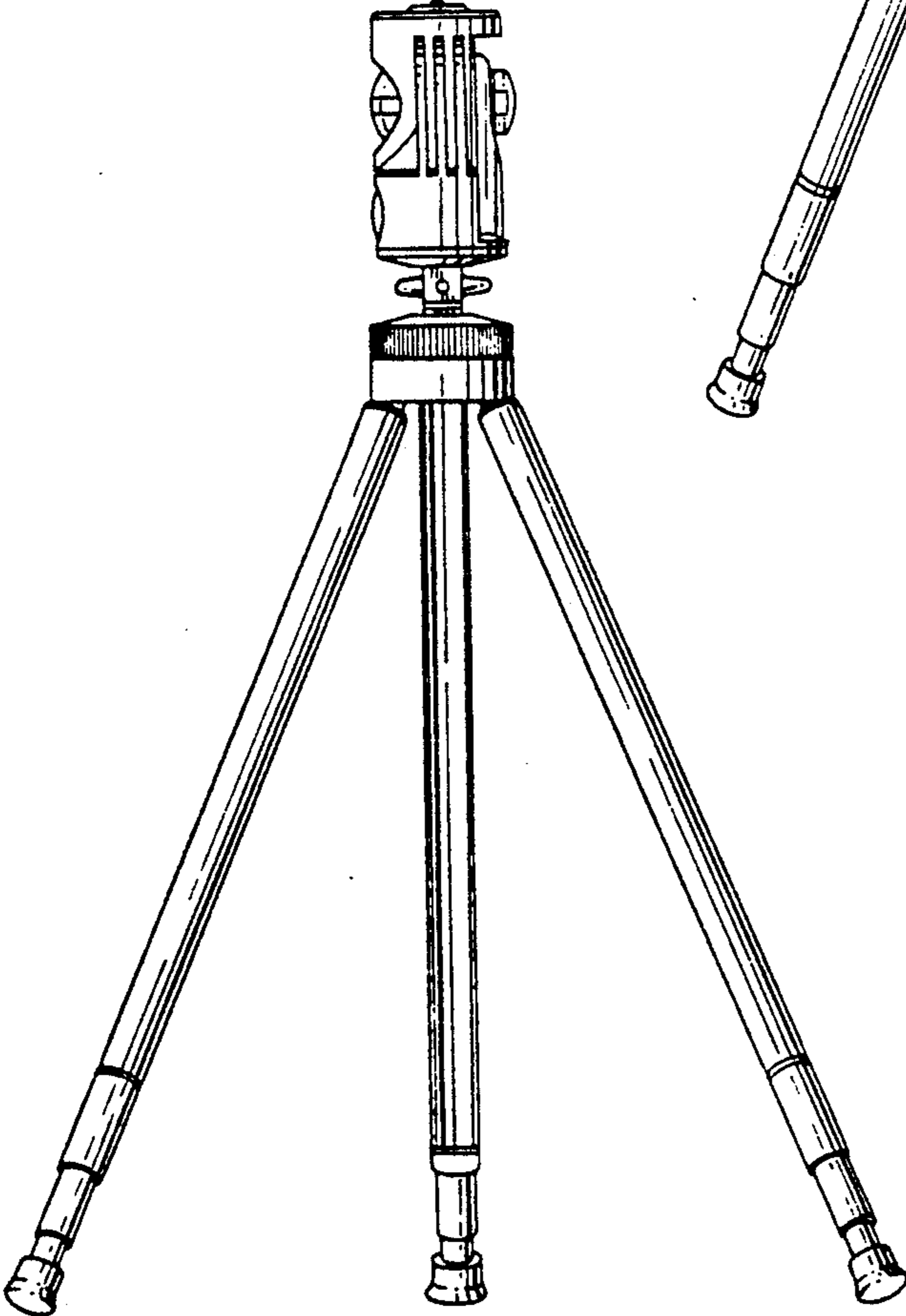


FIG.3

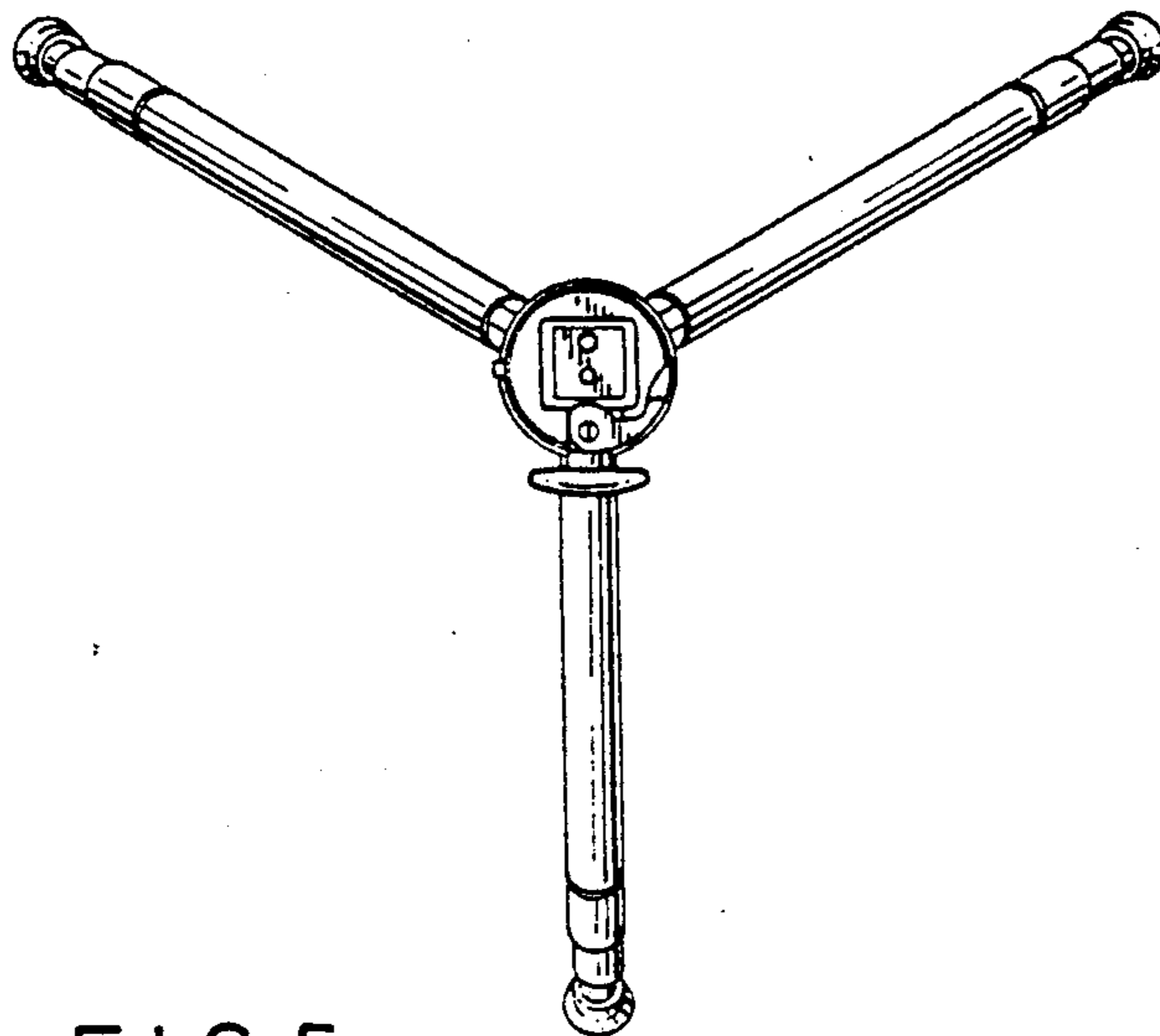


FIG.4

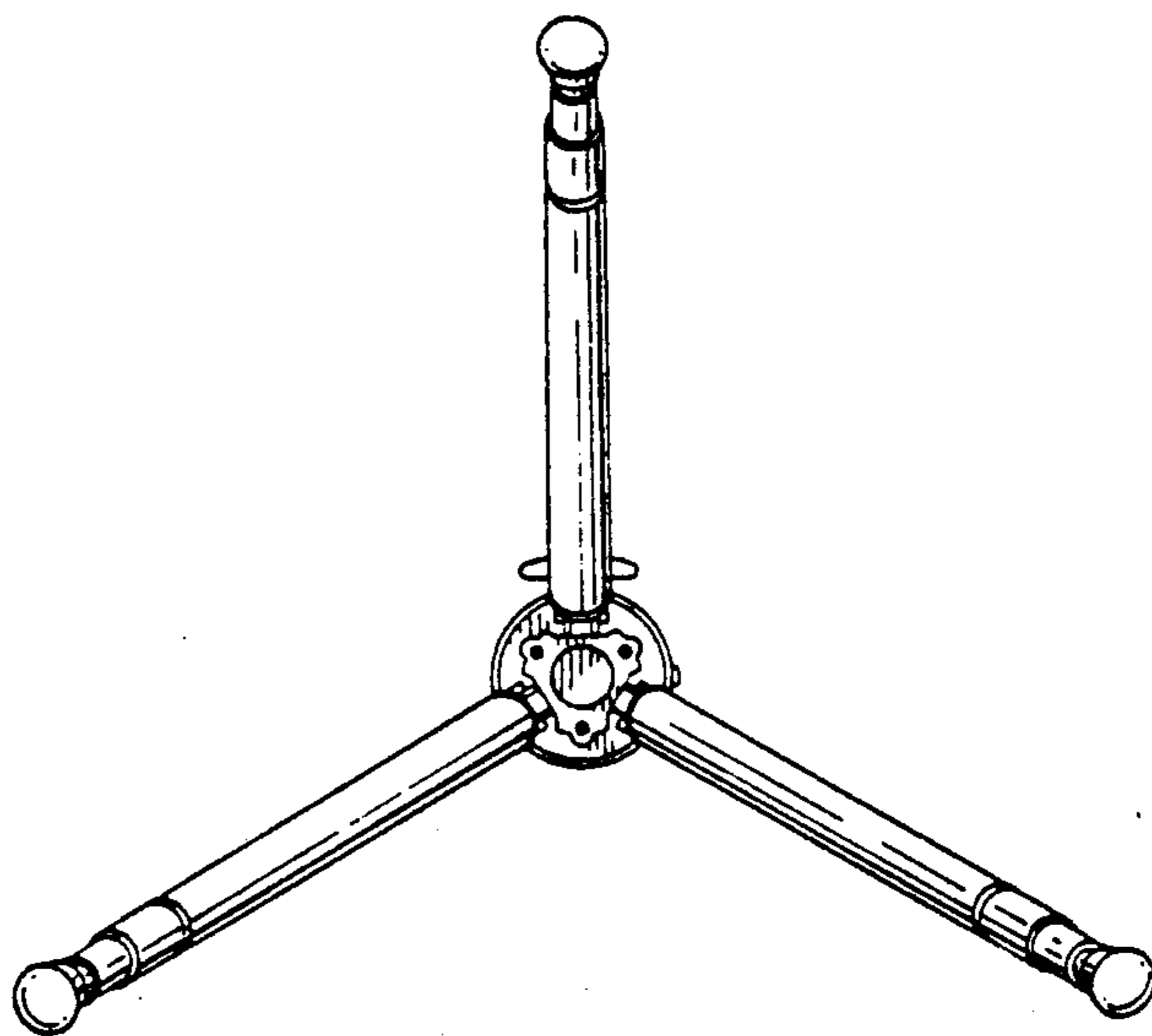


FIG.5

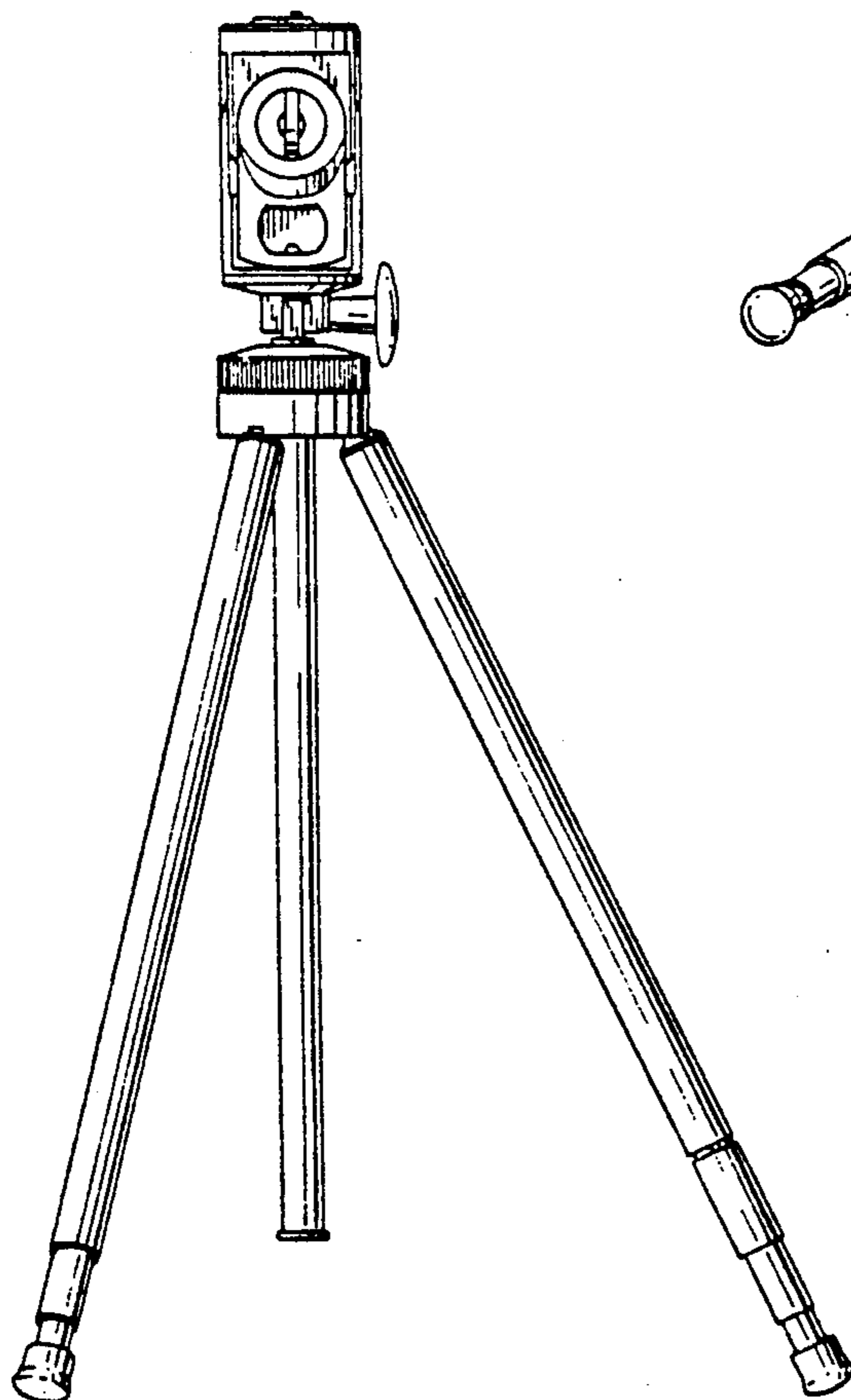


FIG.6

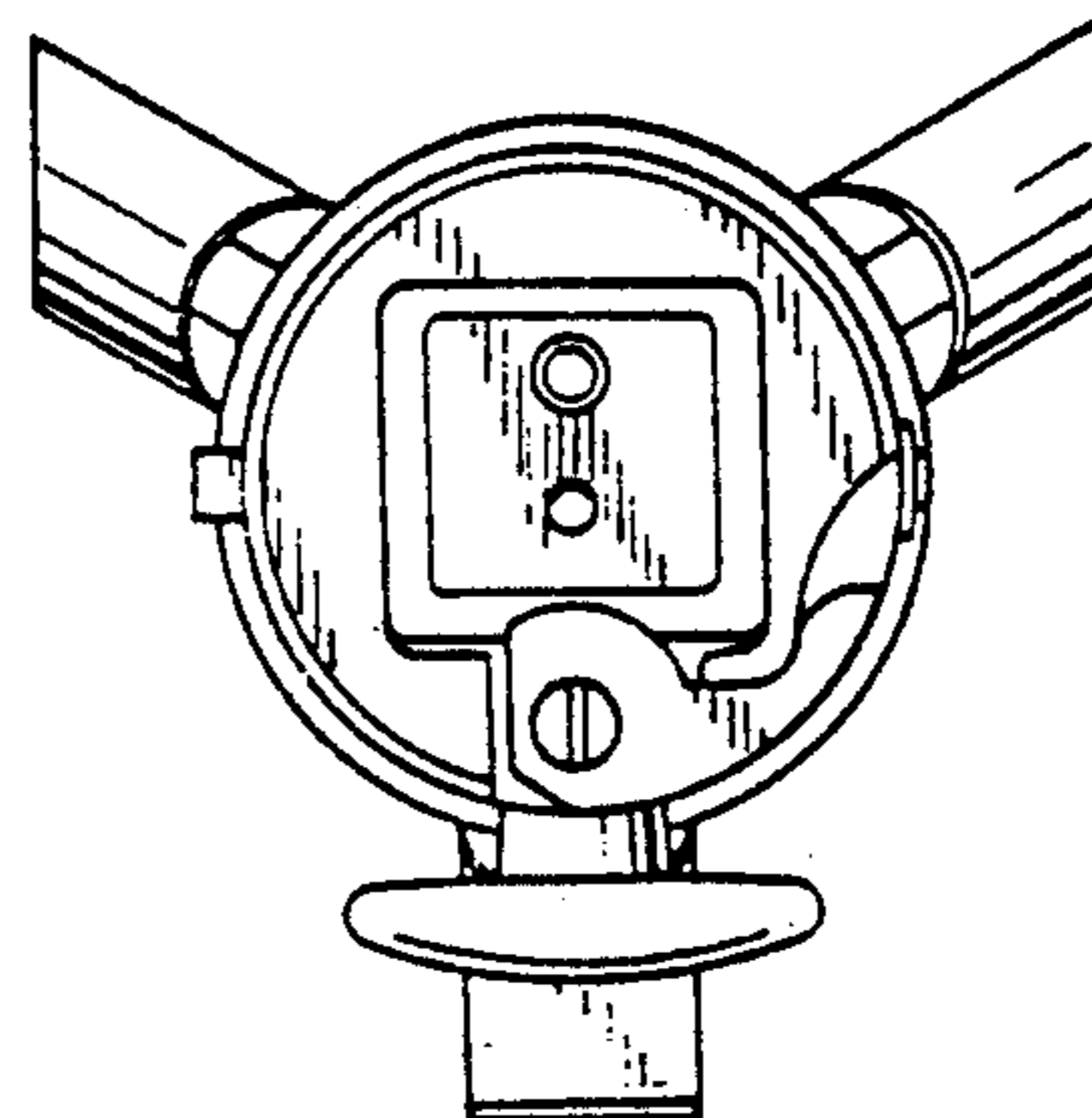


FIG. 7

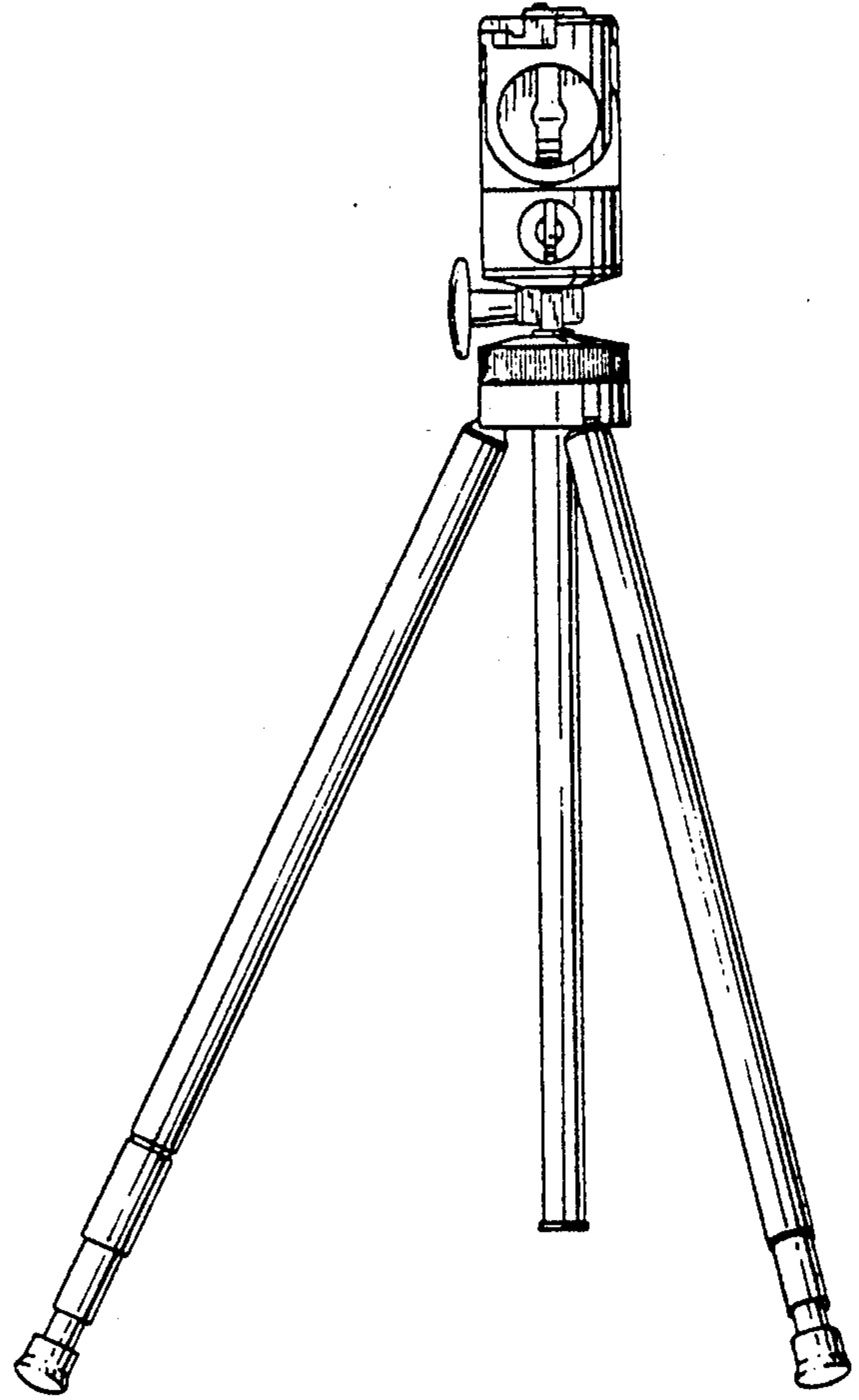


FIG. 8

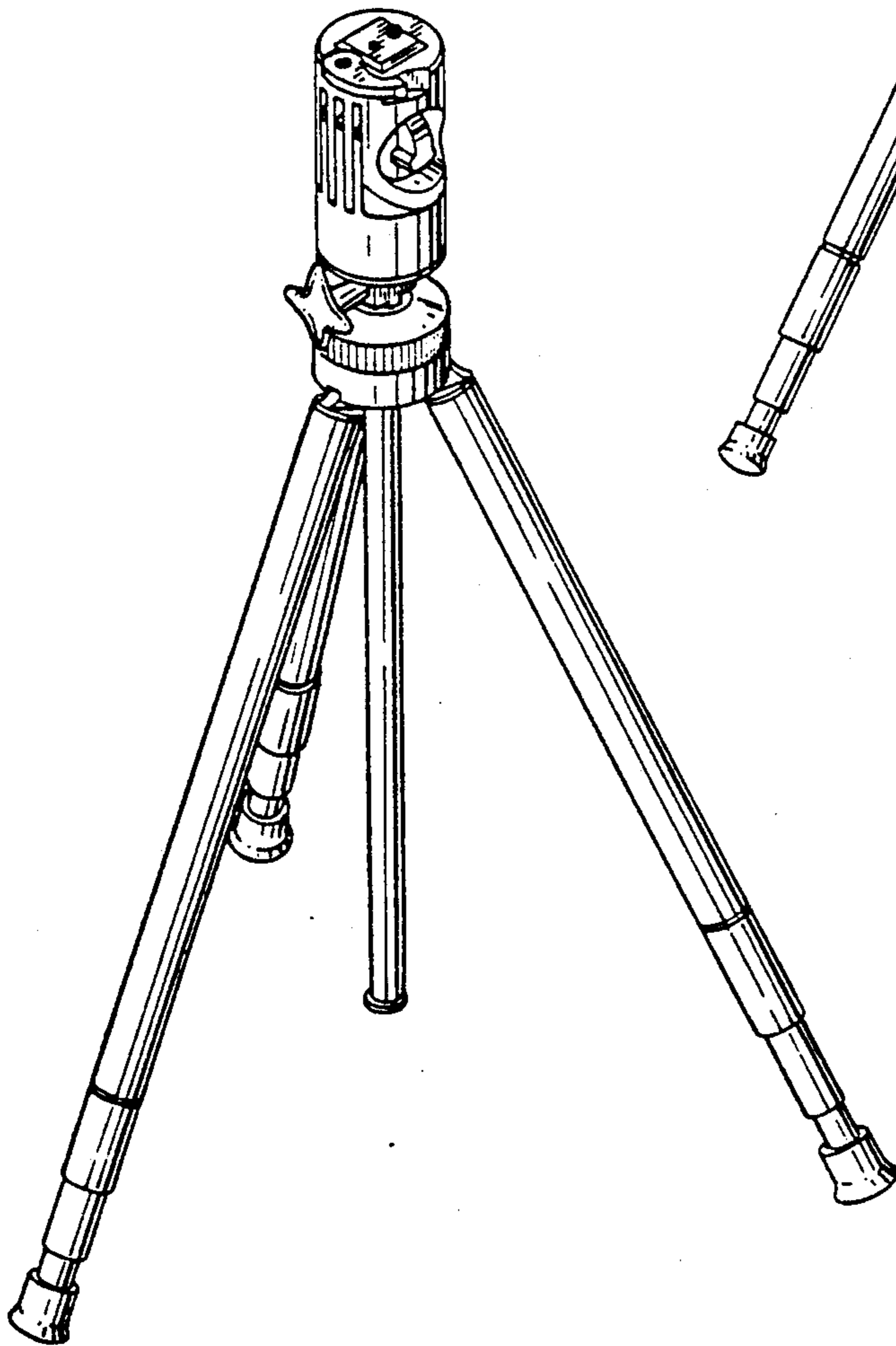
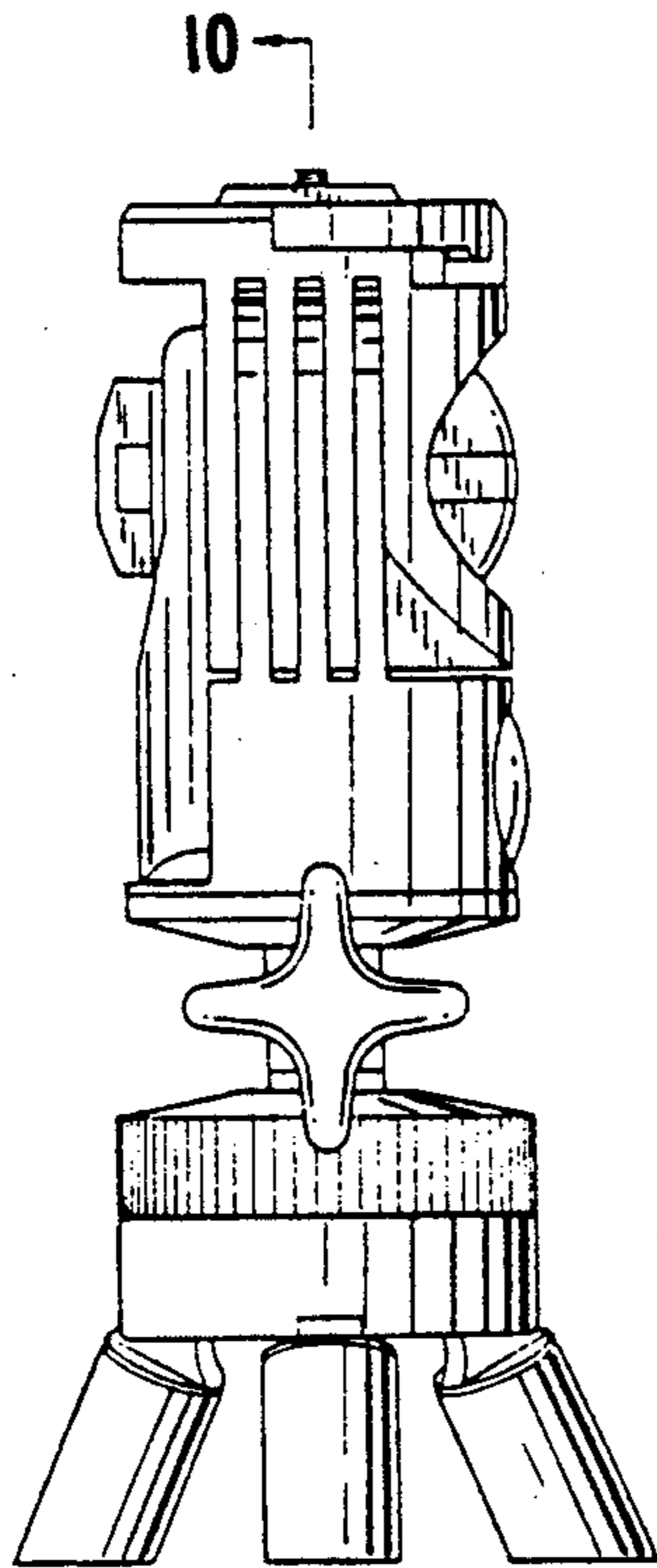
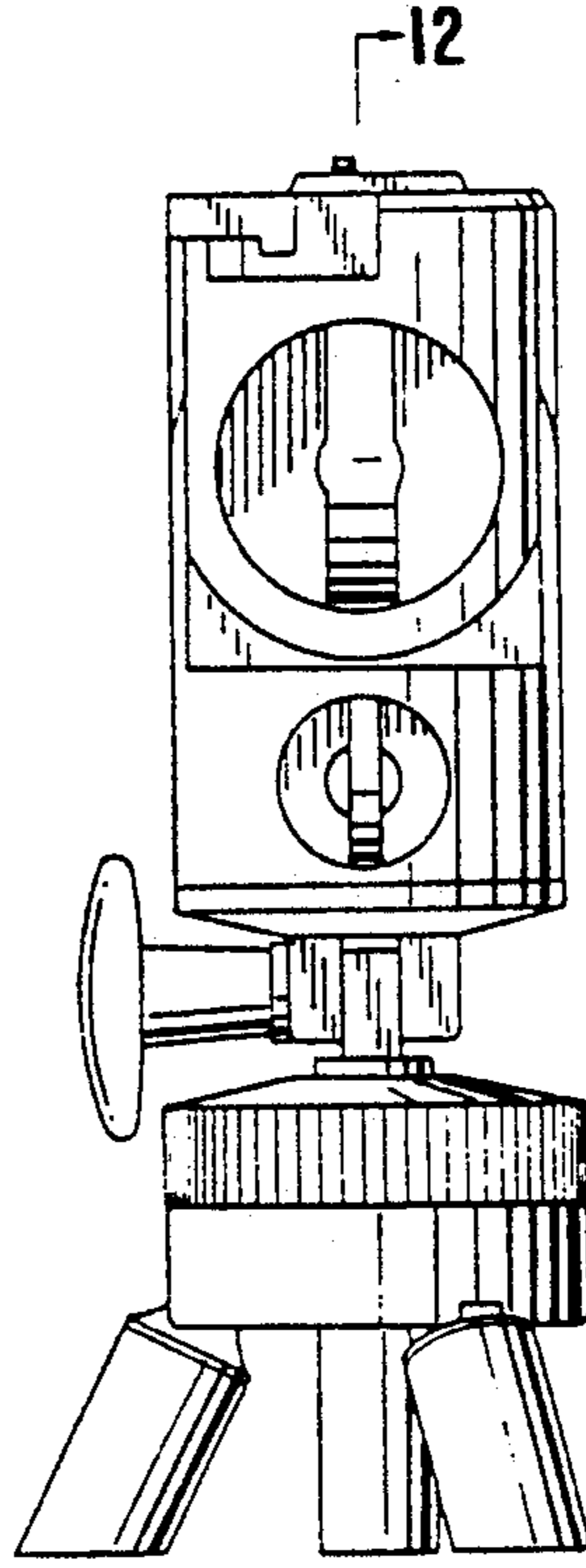


FIG.9



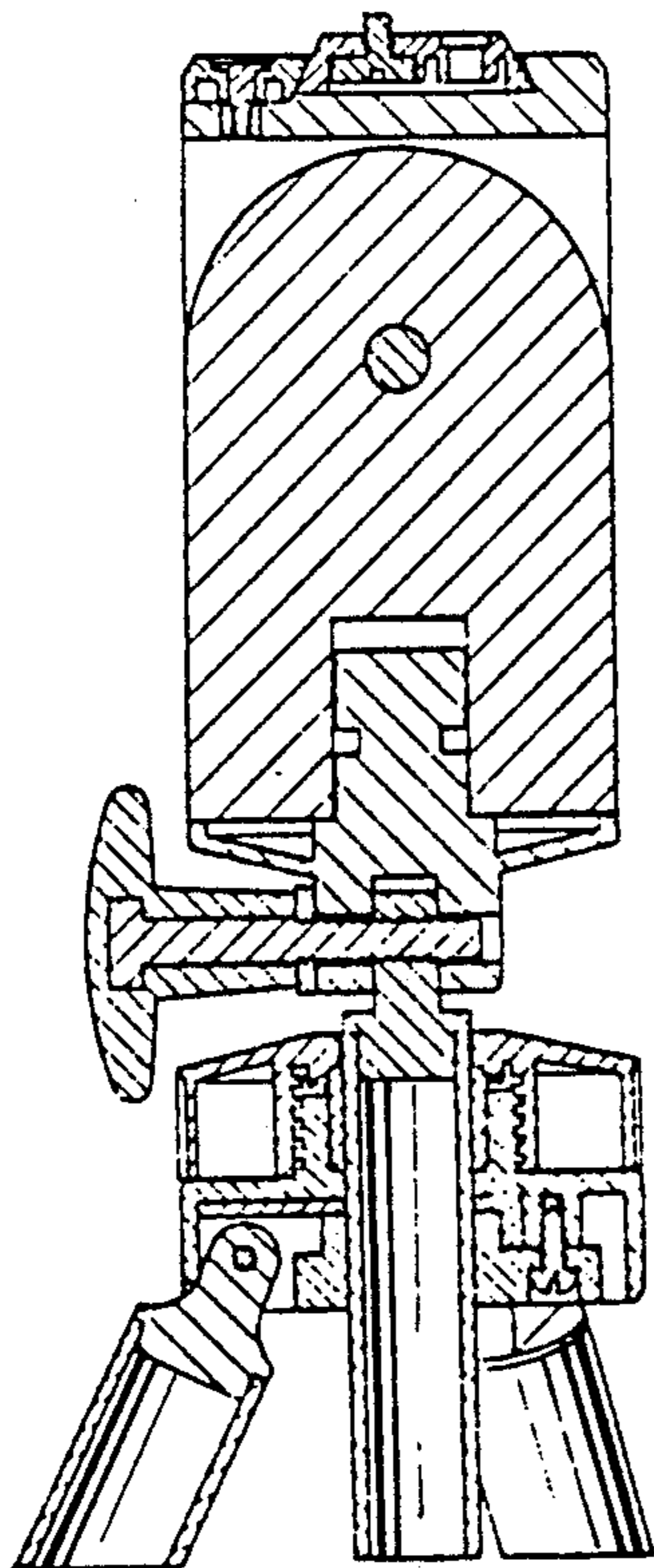
10

FIG.11



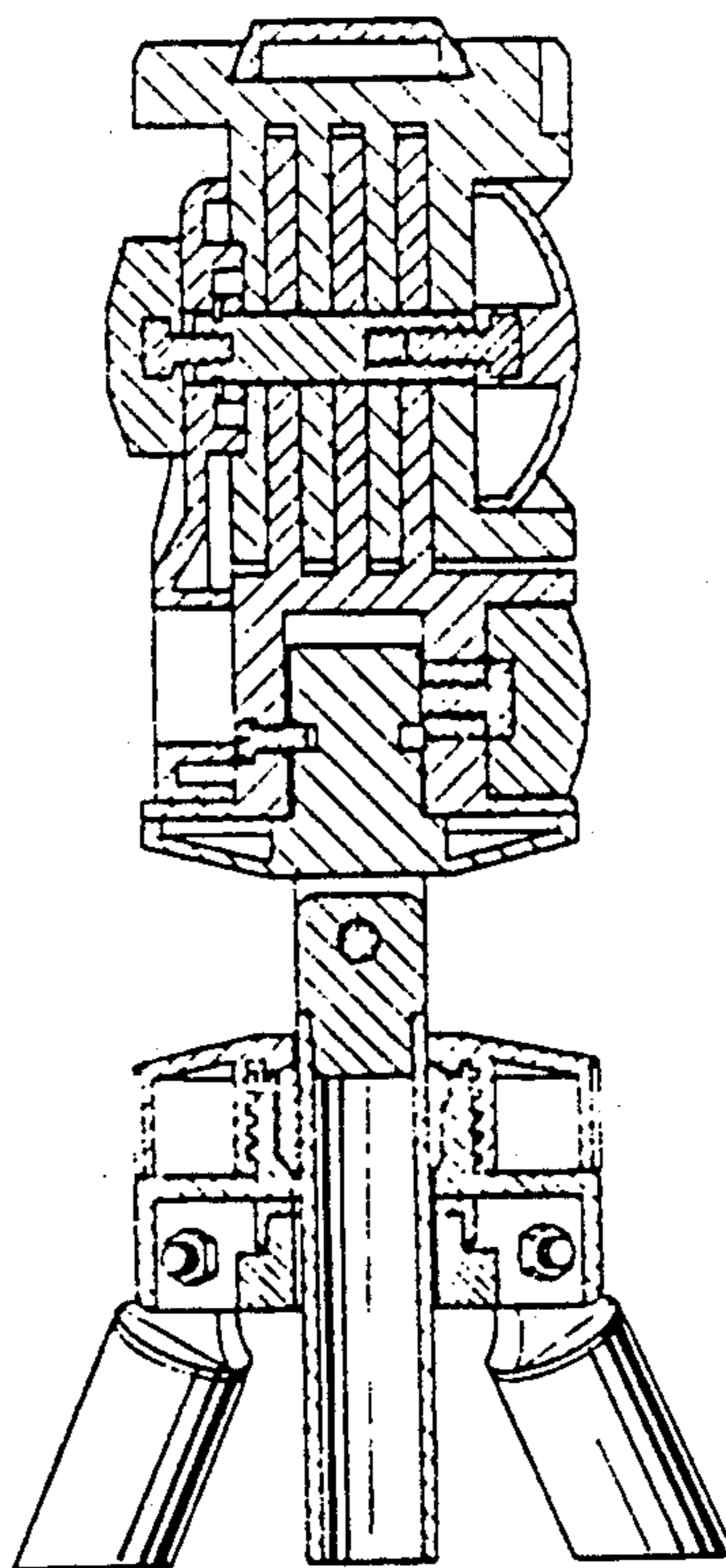
12

FIG.10



10

FIG.12



12

FIG.13

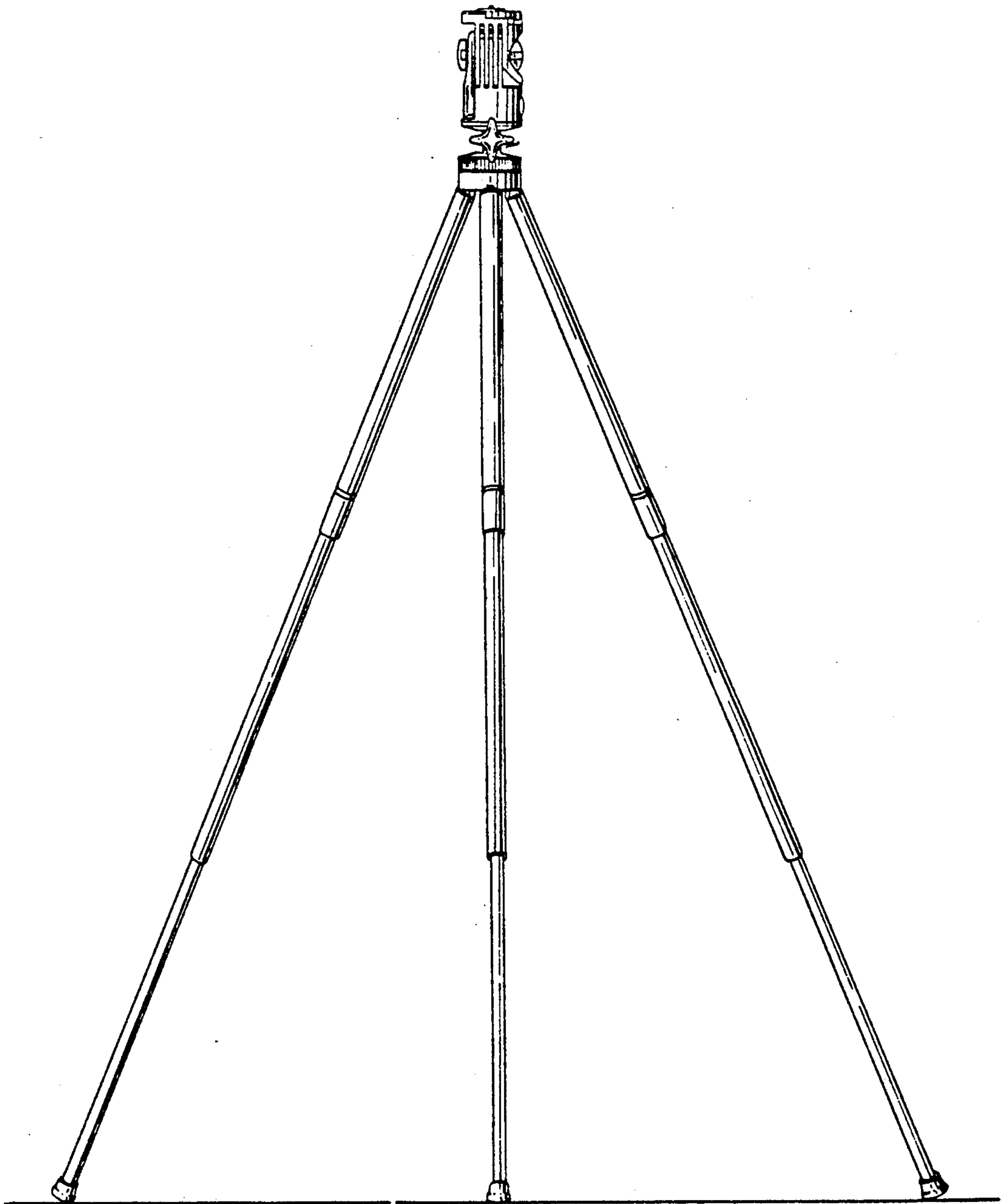


FIG.14



FIG. 15

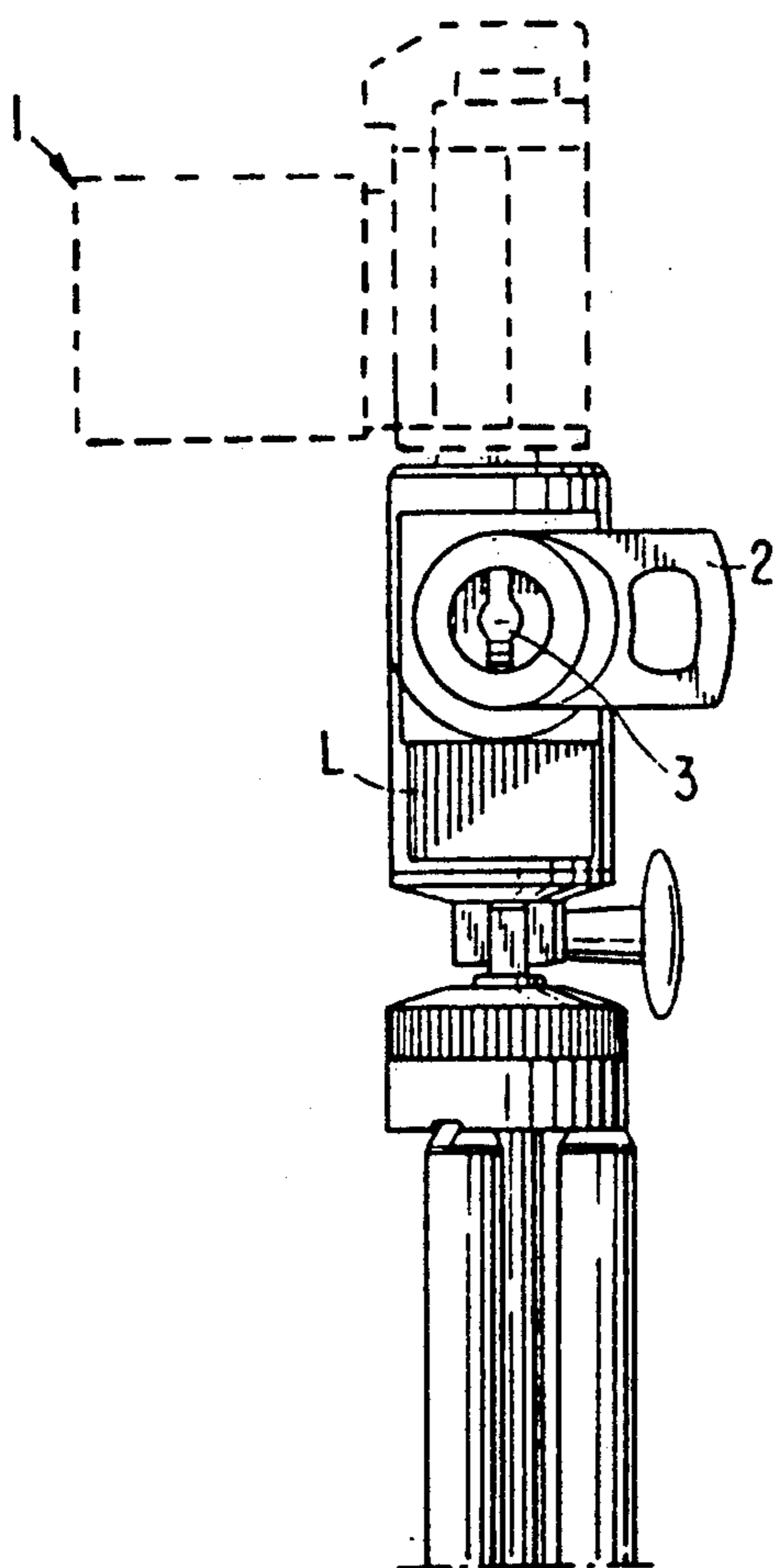


FIG. 16

