



US00D326103S

United States Patent [19]

[11] Patent Number: Des. 326,103

Hempy et al.

[45] Date of Patent: ** May 12, 1992

[54] **BENCH MOUNTABLE PLATE JOINING MACHINE**

[76] Inventors: **Robert M. Hempy**, 1295 Washington Rd., Pittsburgh, Pa. 15228; **Charles J. Baird**, 421 Regency Dr., Pittsburgh, Pa. 15239; **Jeffrey L. Haffely**, 3721 Wesleyann Dr., Gibsonia, Pa. 15044

[**] Term: **14 Years**

[21] Appl. No.: **233,490**

[22] Filed: **Aug. 19, 1988**

[52] U.S. Cl. **D15/141**

[58] Field of Search **D15/141; 144/134 A, 144/136 R, 136 C, 371**

[56] **References Cited**

U.S. PATENT DOCUMENTS

D. 315,281	3/1991	Bosten et al.	D8/64
4,434,586	3/1984	Muller et al.	
4,545,121	10/1985	Armbruster et al.	
4,858,661	8/1989	Bosten et al.	144/134
4,858,662	8/1989	Bosten et al.	144/371 X
4,858,663	8/1989	Bosten et al.	144/136 C
4,934,422	6/1990	Hempy et al.	144/136 R

FOREIGN PATENT DOCUMENTS

2838233	6/1979	Fed. Rep. of Germany	
337653	5/1959	Switzerland	
339735	8/1959	Switzerland	

OTHER PUBLICATIONS

Glen O. Fuglsby, Ph.D., "Wood Technology-Plate Joinery System", *Furniture Design & Manufacturing*, Mar., 1984, p. 16.

Northern Woods, Issue No. 12, Spring Quarter, 1988, p. 1, article entitled "Plate Joinery", by Annette Weir.

Workbench, Apr., 1988, p. 1, article entitled "The Workbench Guide to Plate Joiners", by Lawrence Okrend.

Popular Woodworking, Jun./Jul., 1987, p. 23, entitled "Is There a Plate Joiner in Your Future?" by Hugh Foster.

Wood Magazine, Jun., 1988, p. 44, Jim Barrett, entitled "Make Strong, Accurate Joints in Seconds With Plate Joiners."

Lamello-Minilo brochure, date unknown, entitled

"Hardly believable it's so easy, and the job is finished so quickly."

Elu brochure, date unknown, entitled "Another First From Elu. 'Biscuit' Jointer and Groover. DS140."

Virutex brochure, date unknown, entitled "Ensambladora 0=87."

Lamello brochure, date unknown, entitled "Nutfrasmachine mit schenkbarem Anschlag Fur Top-Verbindungen . . . damit die Arbeit Spass Macht."

Lamello 2000 (Steiner Lamello SA) brochure, date unknown, entitled "Universal circular saw and grooving machine; Lamello automate wood joining for mass production."

Lamello Top Brochure, date unknown, entitled "Groove cutting machine with swivelling stop for top connections . . . that make work a pleasure."

Minilo Top brochure, date unknown, entitled "For Top joints . . . that make work a pleasure."

Primary Examiner—Bruce W. Dunkins

Assistant Examiner—Antoine D. Davis

Attorney, Agent, or Firm—Merchant, Gould, Smith,

Edell, Welter & Schmidt

[57] **CLAIM**

The ornamental design for a bench mountable plate joining machine, as shown and described.

DESCRIPTION

FIG. 1 is a perspective view of a bench mountable plate joining machine showing my new design;

FIG. 2 is a front elevational view;

FIG. 3 is a rear elevational view;

FIG. 4 is a right side elevational view;

FIG. 5 is a left side elevational view;

FIG. 6 is a bottom plan view;

FIG. 7 is a top plan view;

FIG. 8 is a perspective view of a second embodiment of my new design of FIGS. 1-7, shown with the clamp member in a vertical position;

FIG. 9 is a perspective view thereof, shown with the clamp member in a horizontal position;

FIG. 10 is a perspective view of a third embodiment of my new design of FIGS. 1-7, shown with the clamp member in a vertical position;

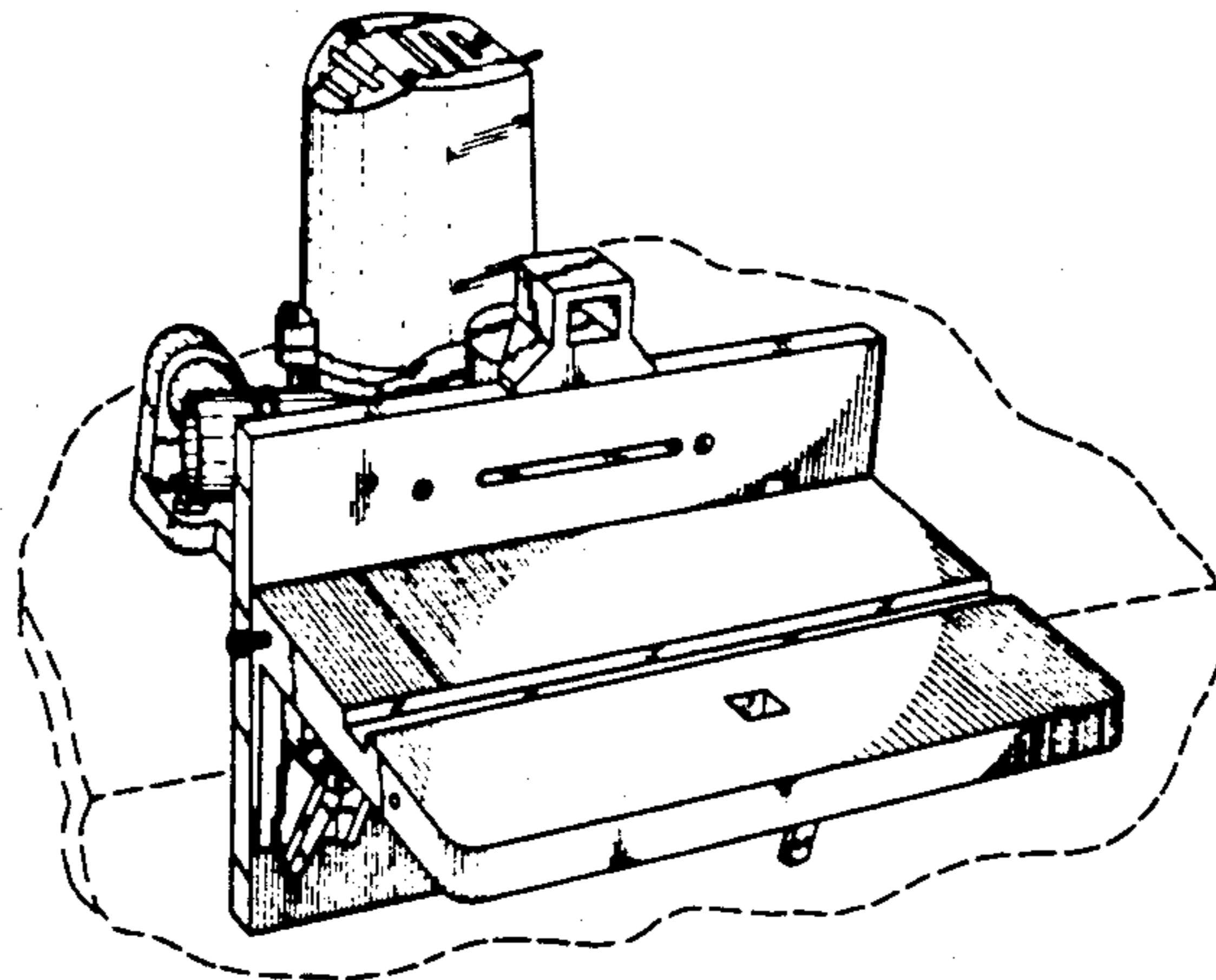


FIG. 11 is a perspective view thereof, shown with the clamp member in a horizontal position;

FIG. 12 is a rear perspective view of a fourth embodiment of my new design of FIGS. 1-7, shown with the piston member in a horizontal position; and,

FIG. 13 is a perspective view of a fifth embodiment of

my new design of FIGS. 1-7, shown with the work bench in a raised position thereof.

The broken line showing of a bench or table shown in the drawing is for illustrative purposes only and form no part of the claimed design.

FIG. 1

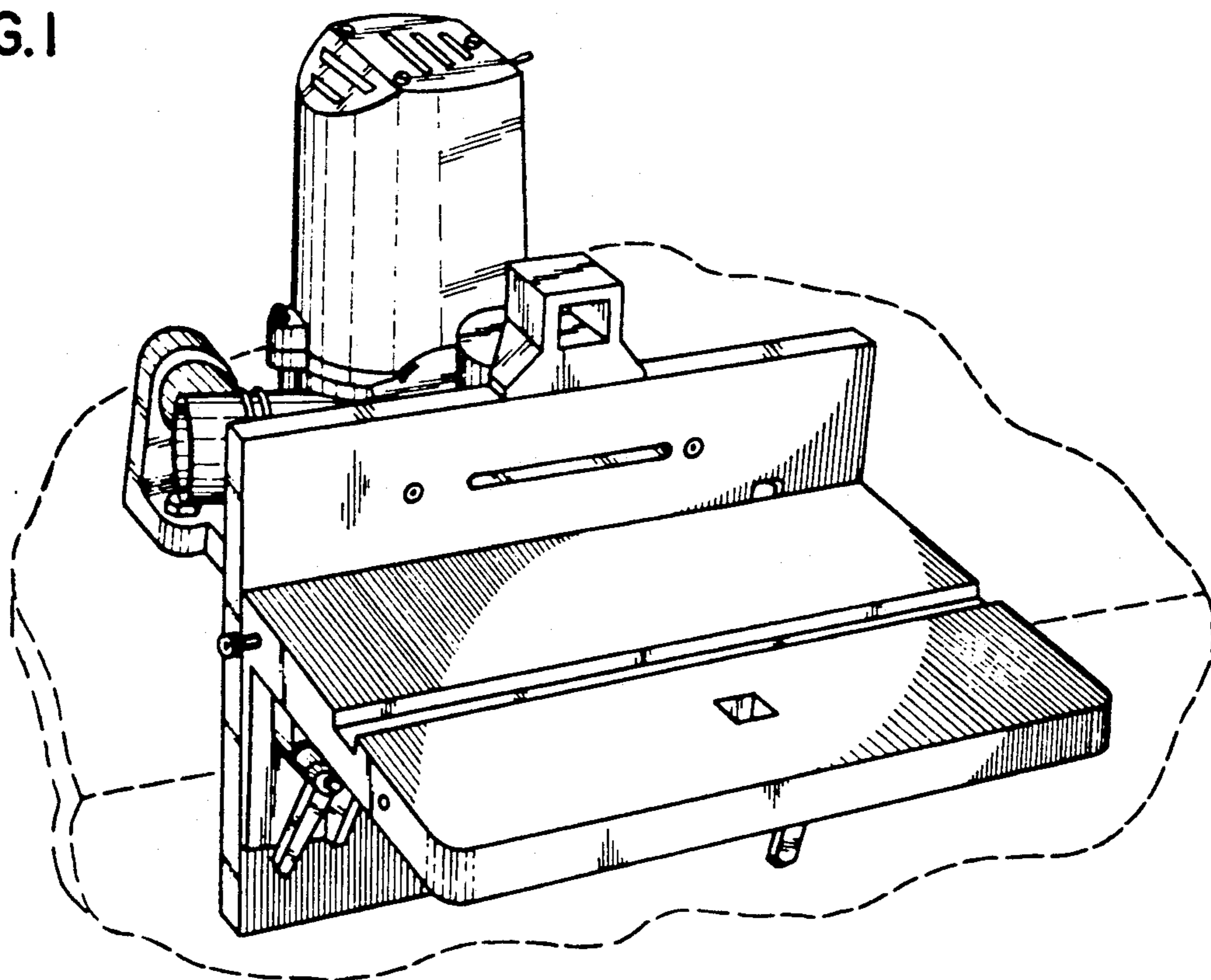


FIG. 2

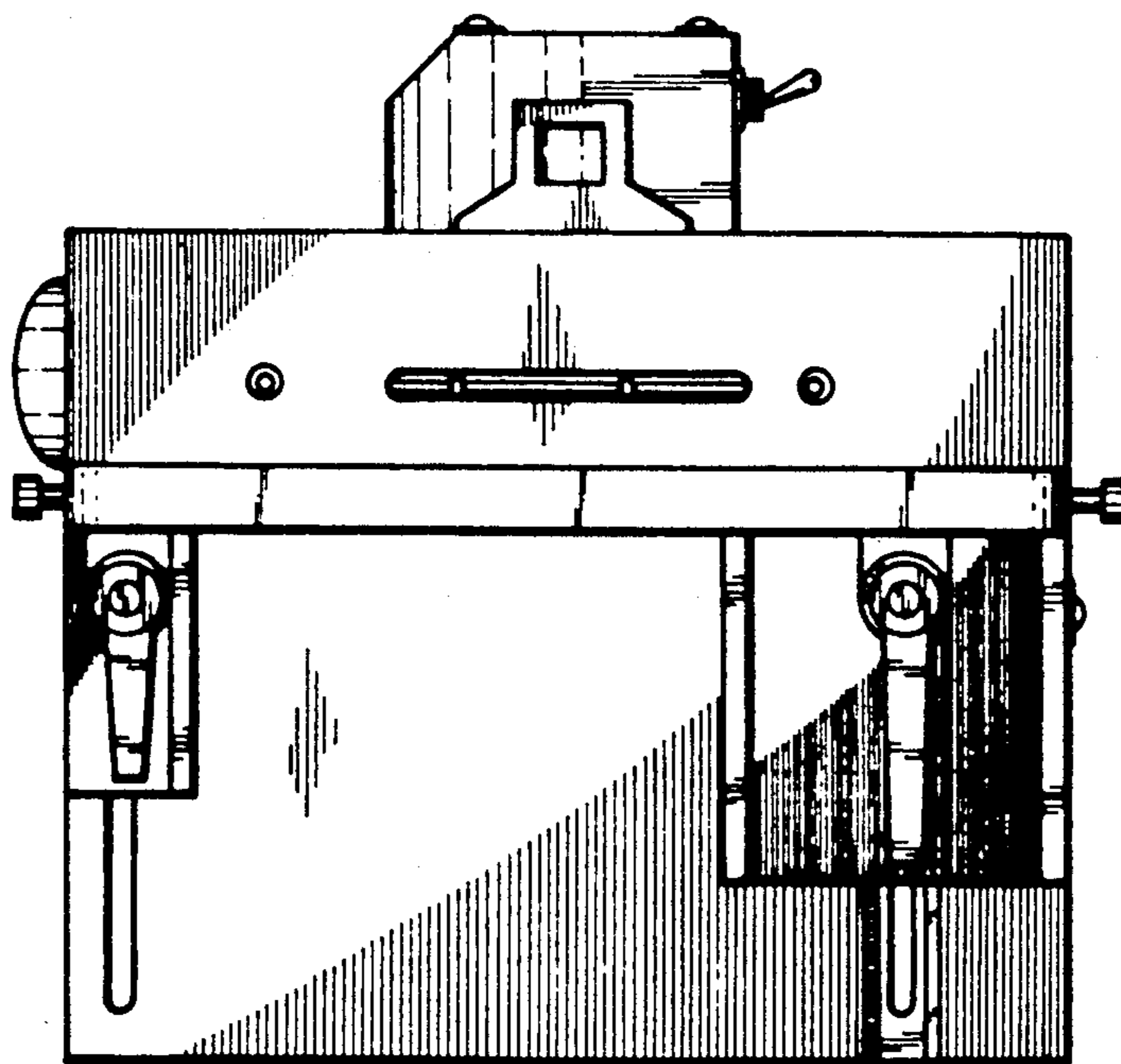


FIG.3

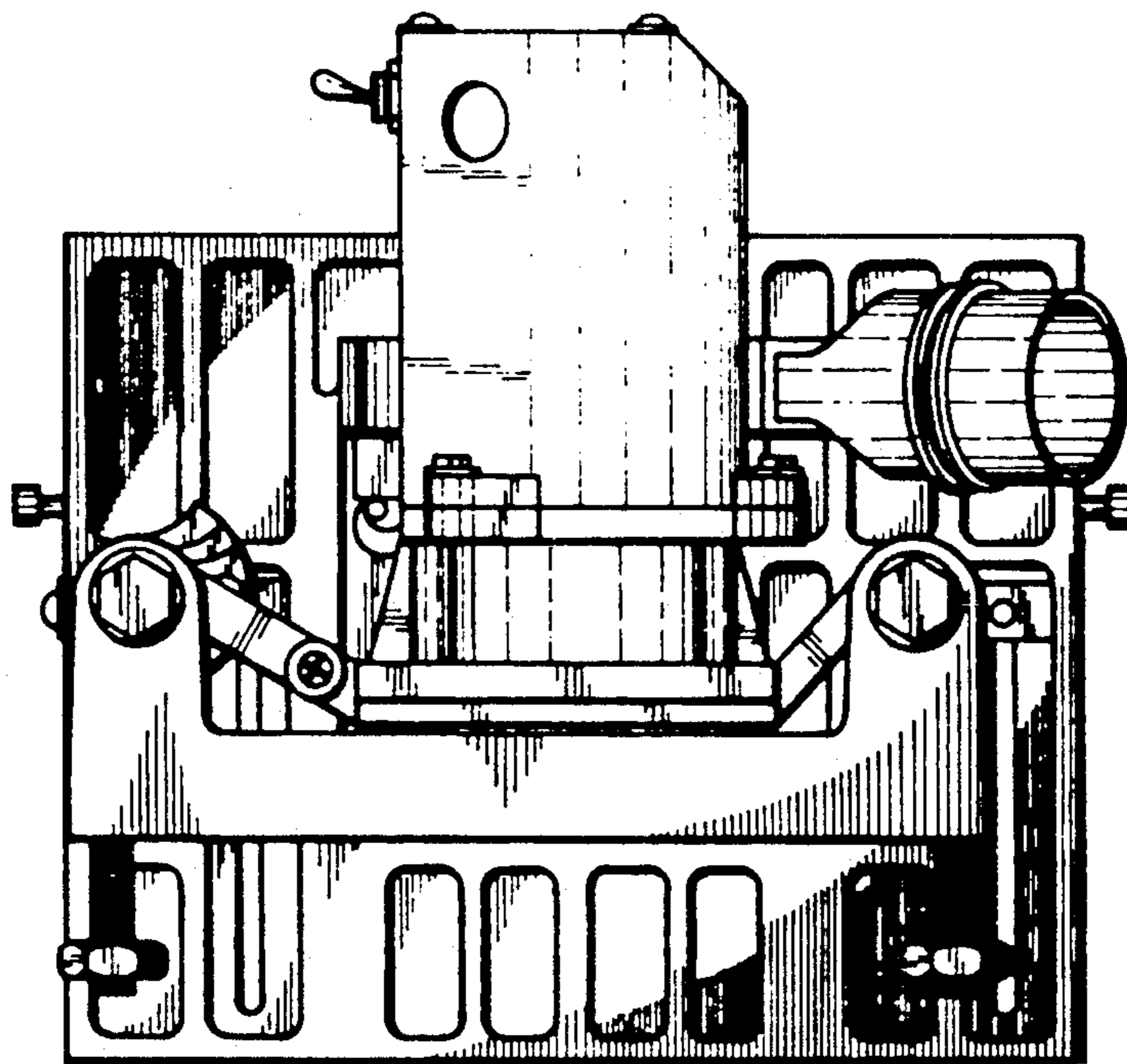


FIG.5

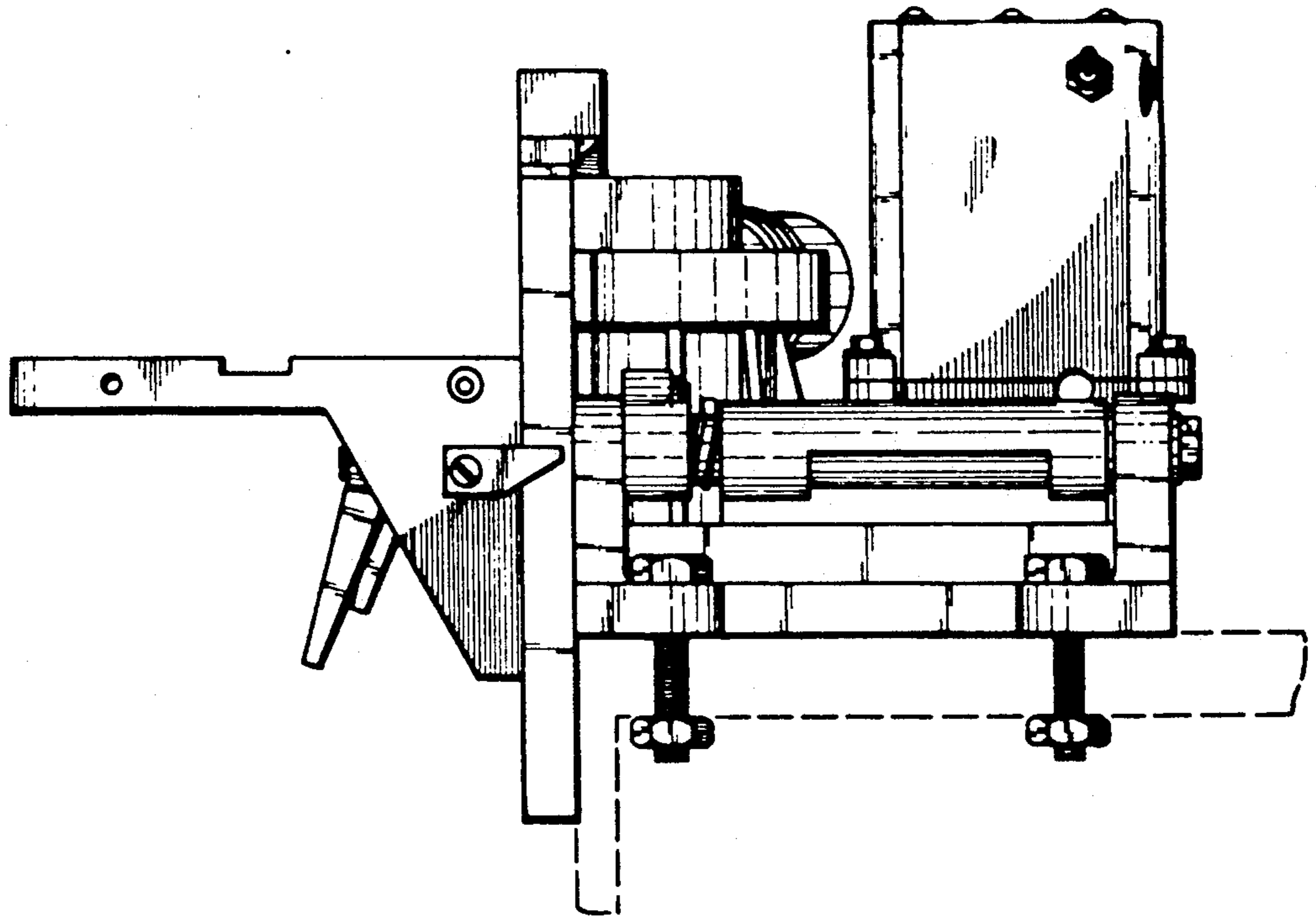


FIG.4

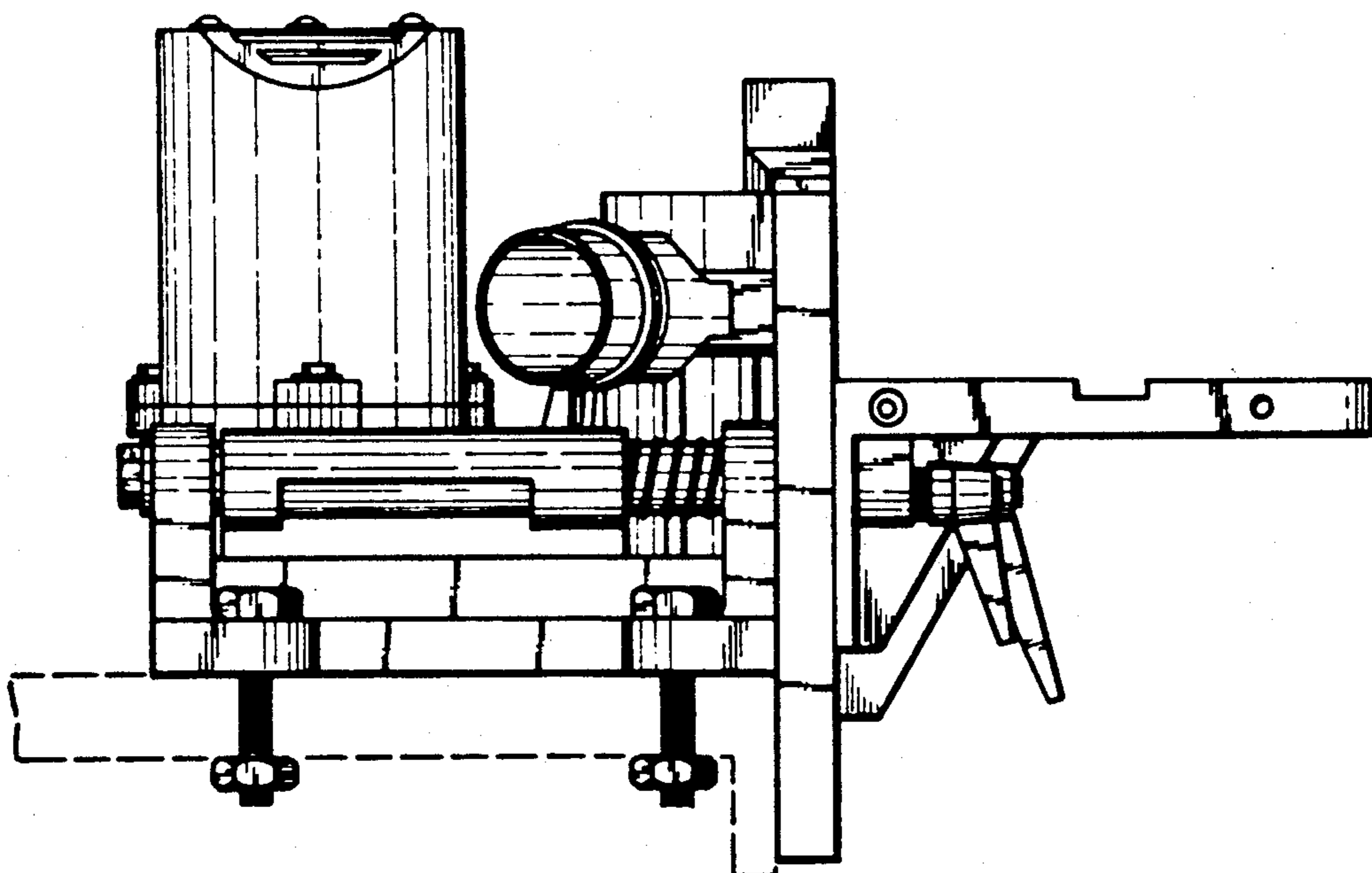


FIG. 6

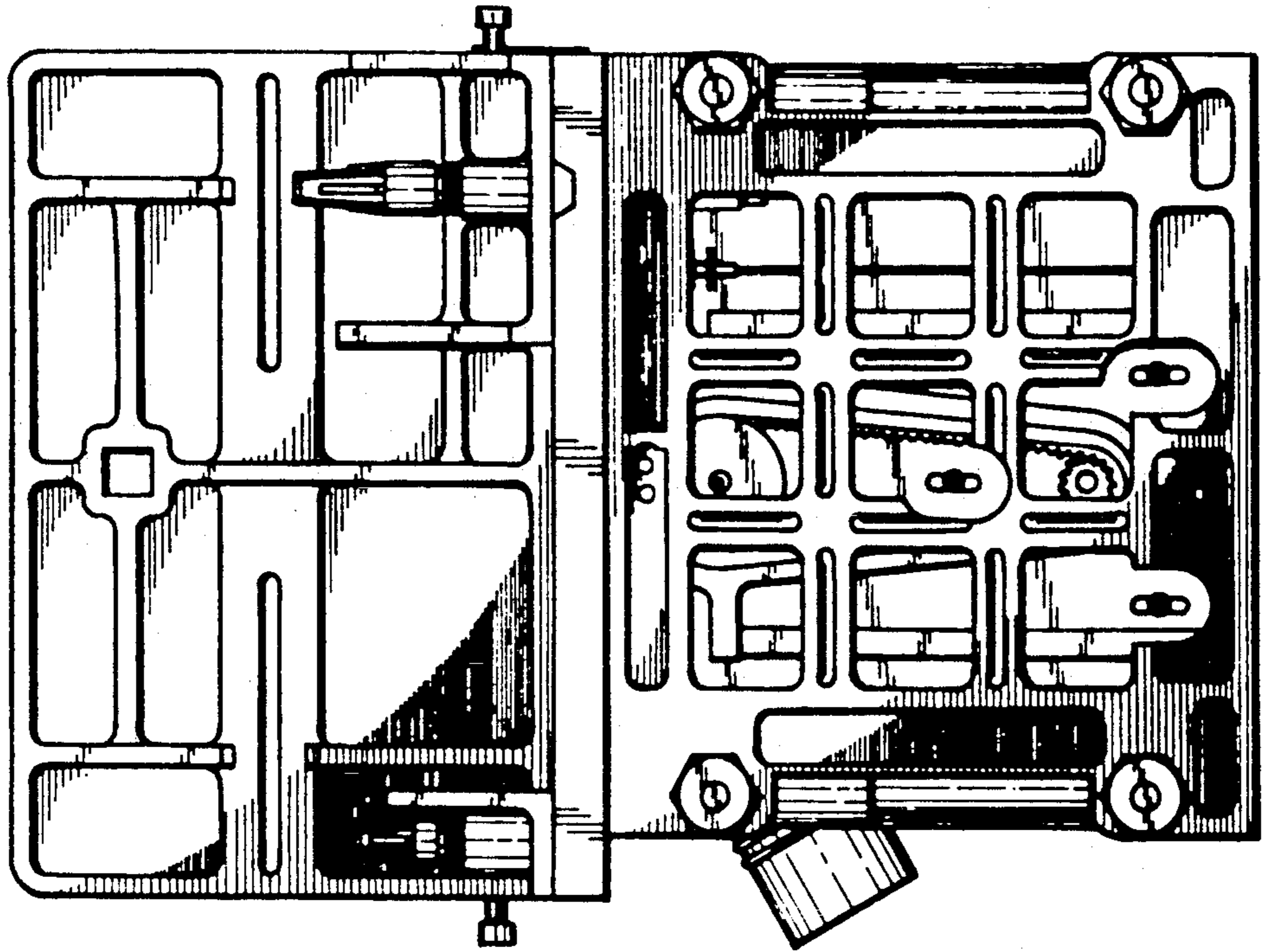


FIG. 7

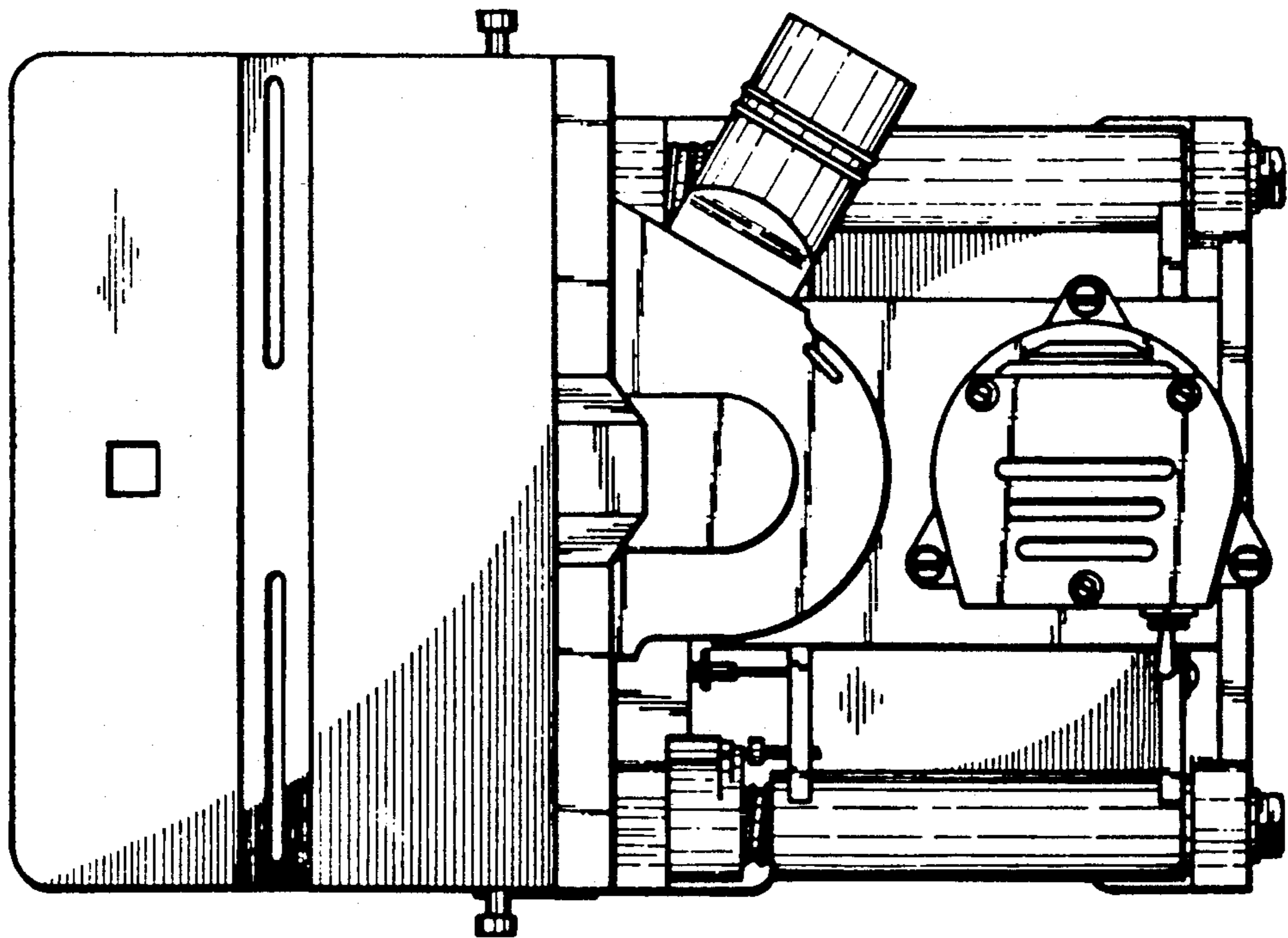


FIG. 8

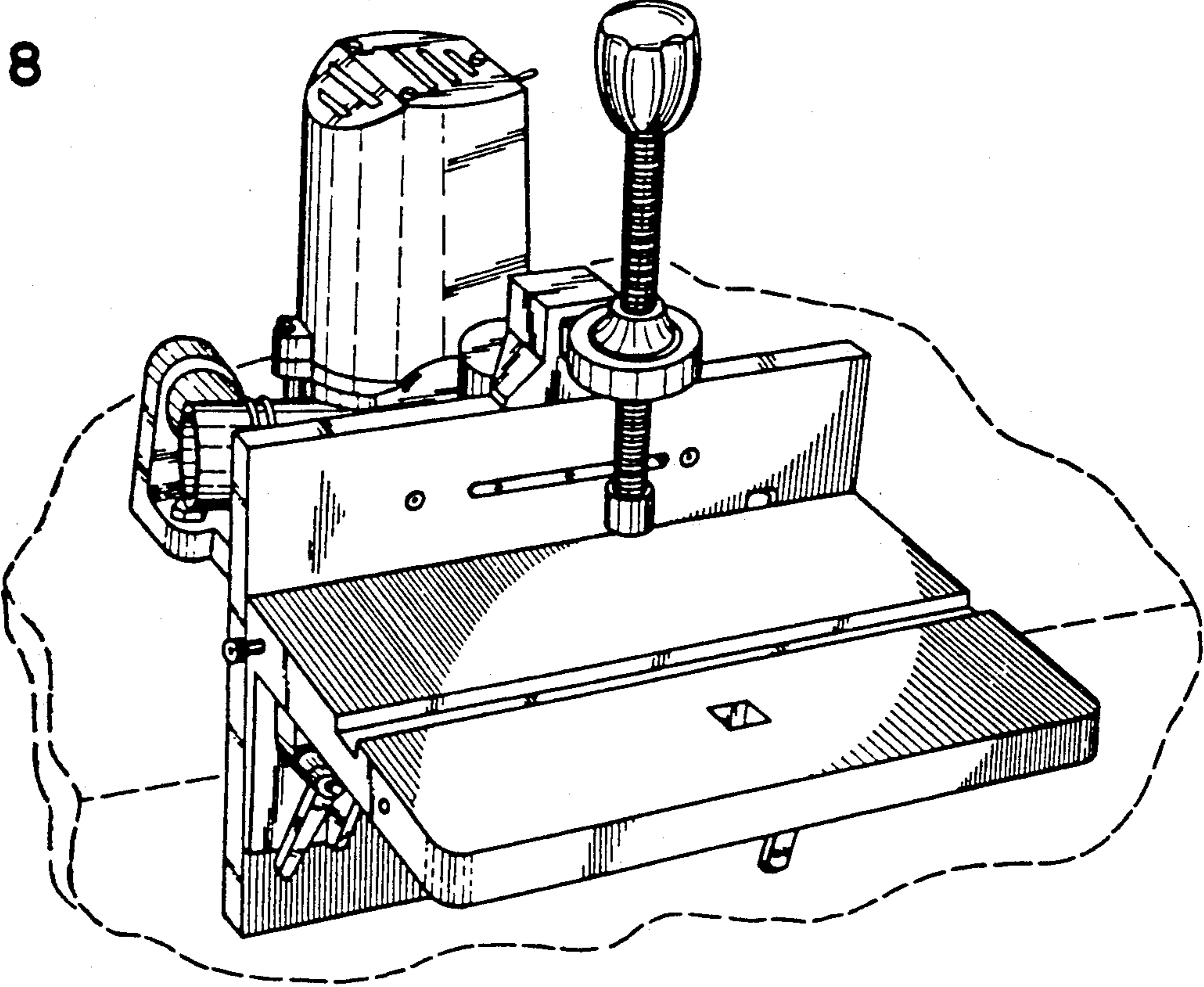


FIG. 9

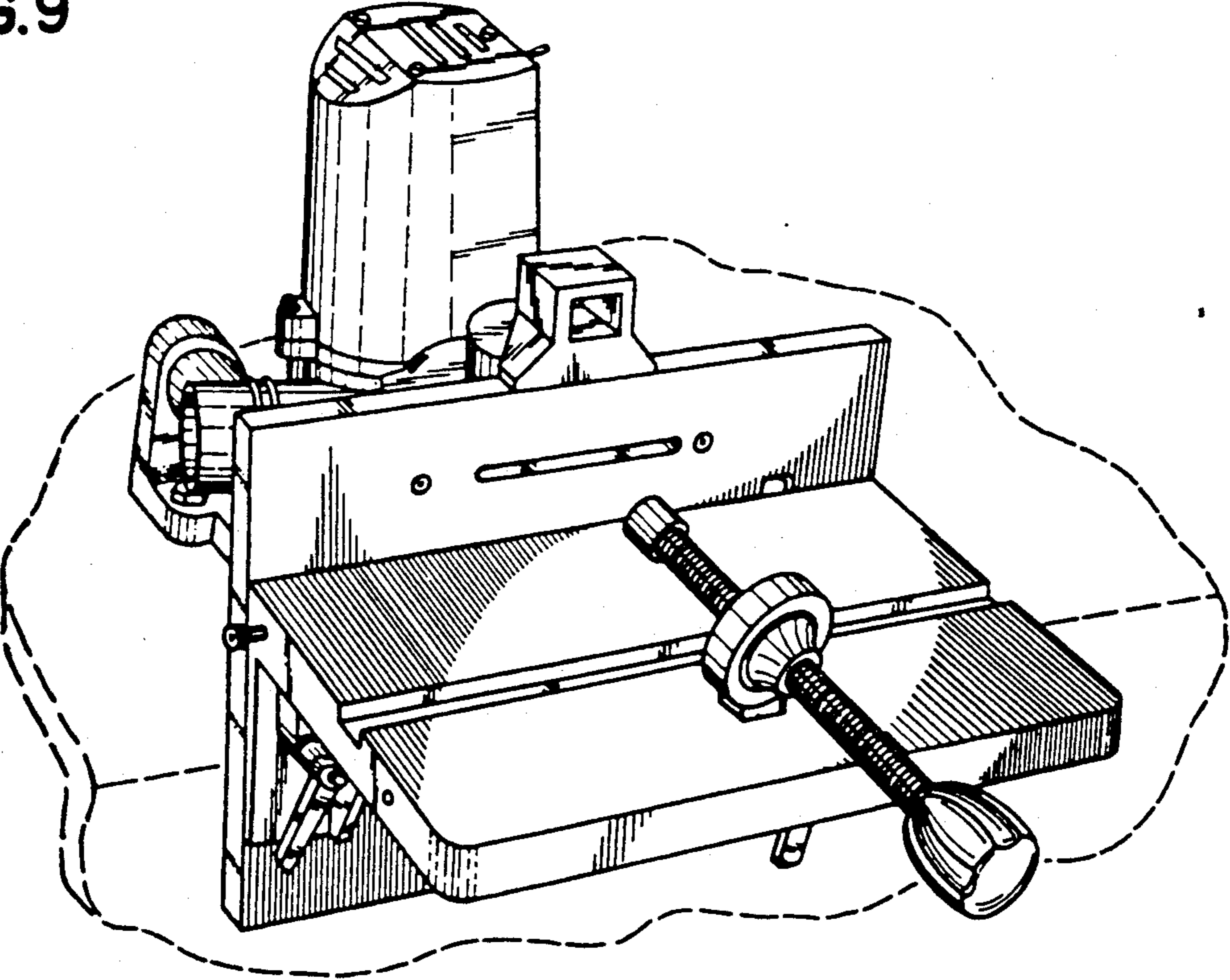


FIG.10

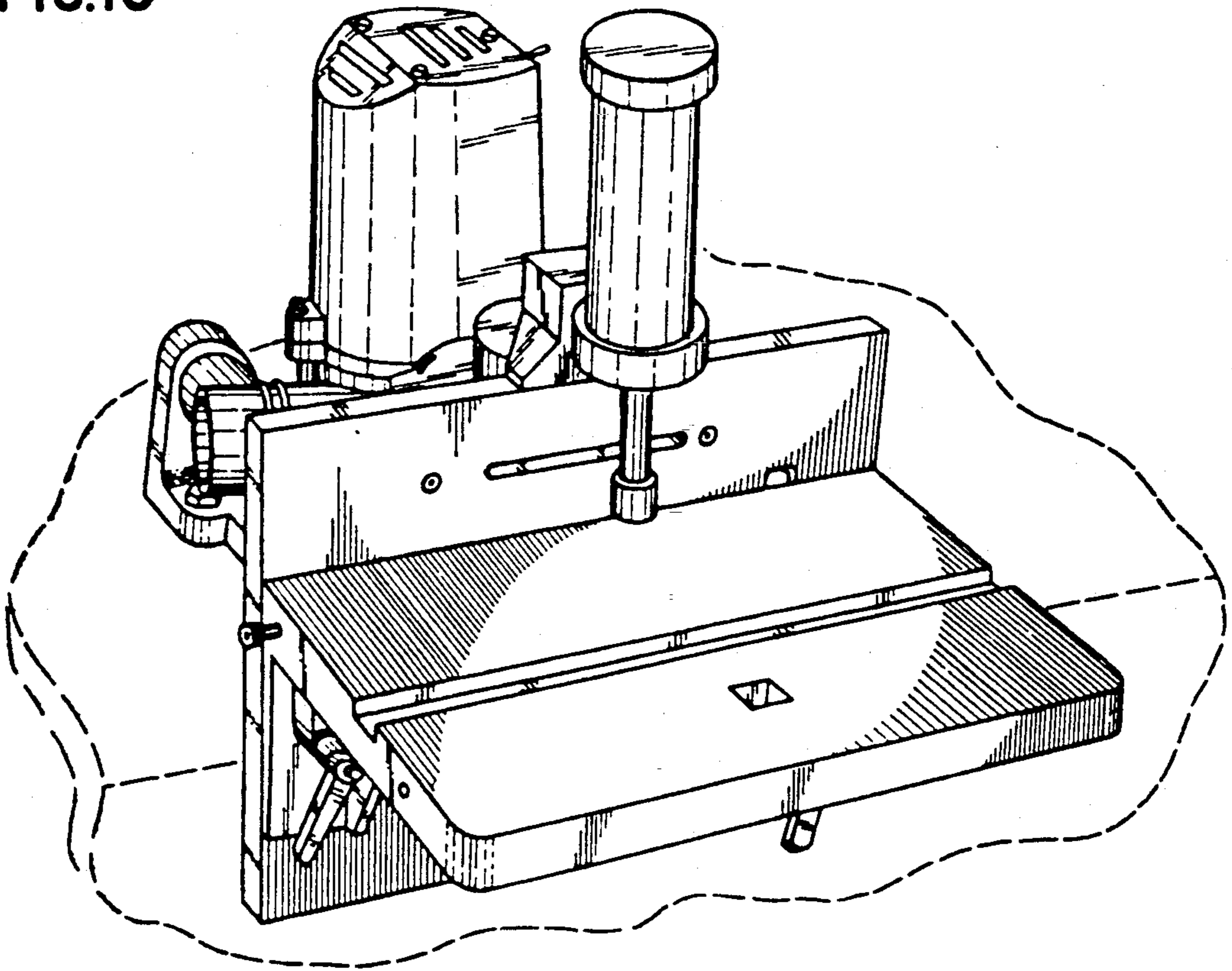


FIG.11

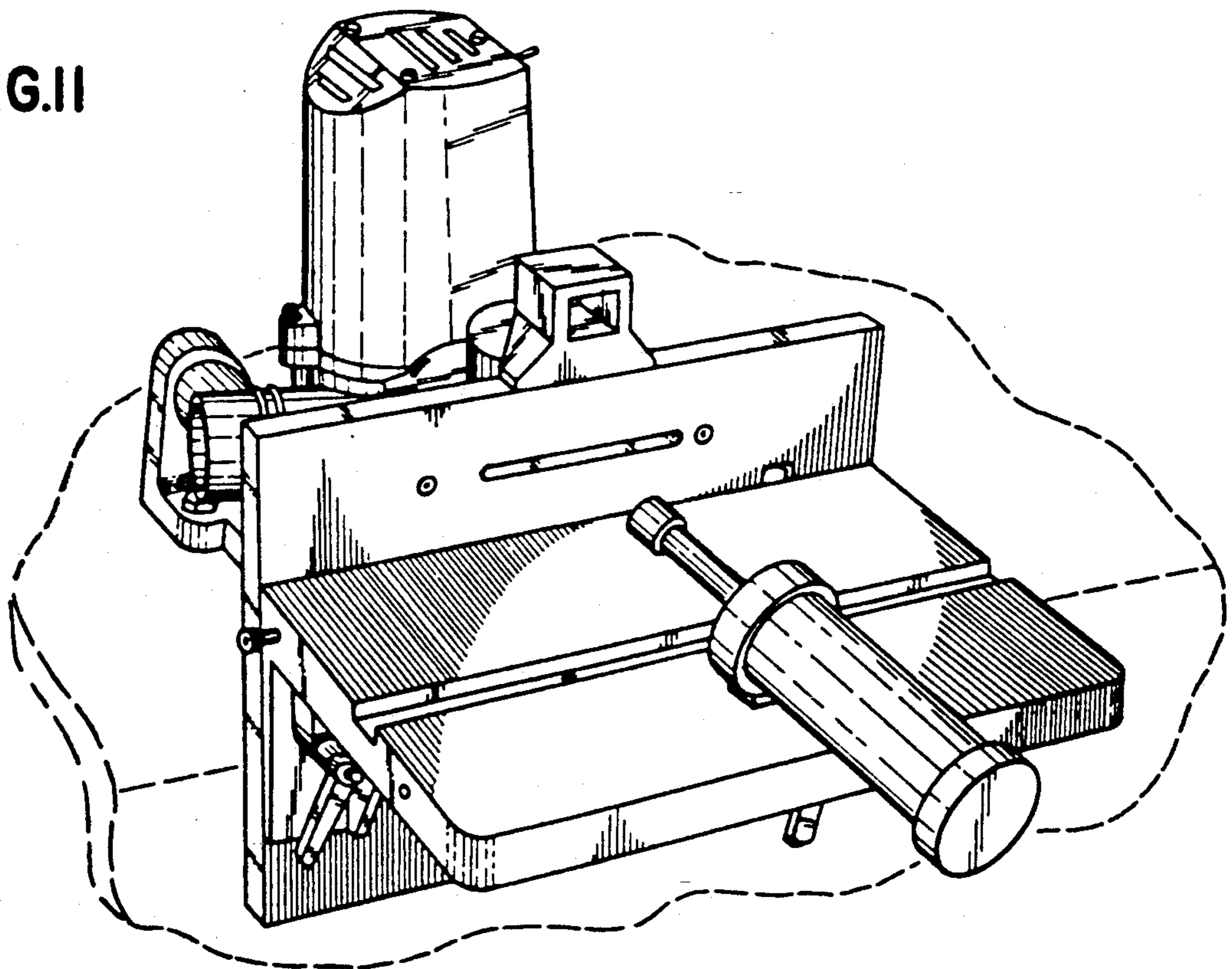


FIG.12

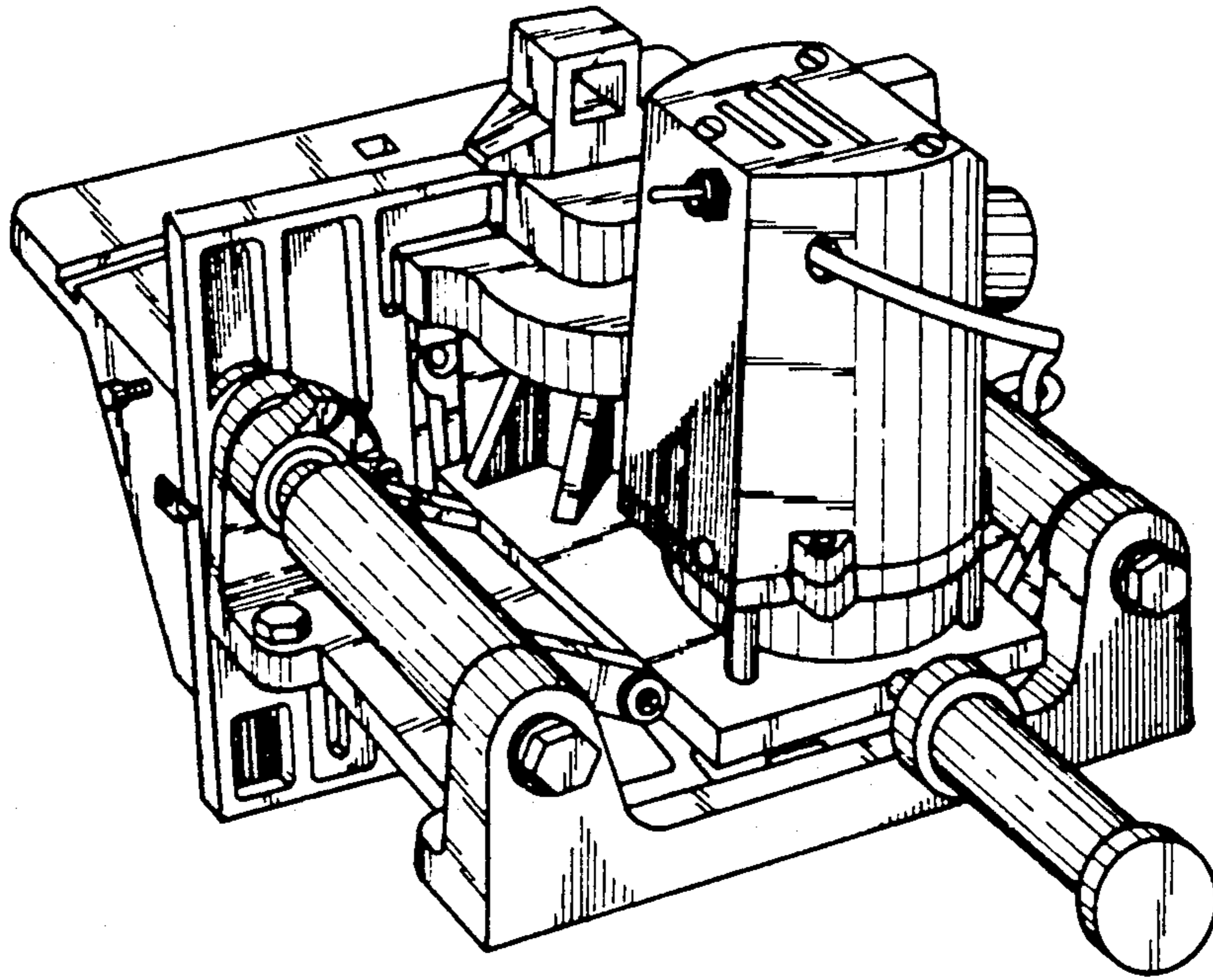
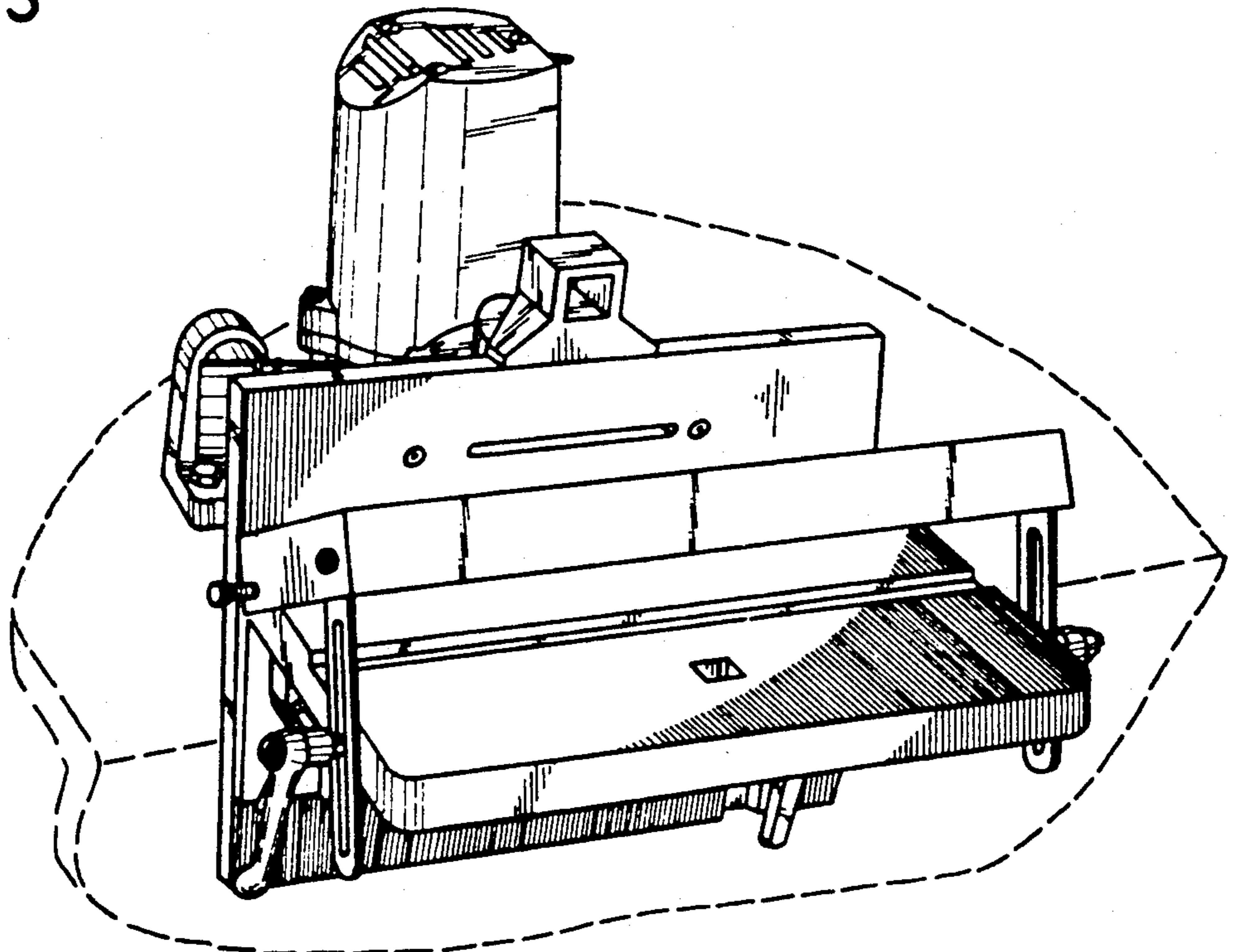


FIG.13



UNITED STATES PATENT AND TRADEMARK OFFICE
CERTIFICATE OF CORRECTION

PATENT NO. : Des. 326,103

DATED : May 12, 1992

INVENTOR(S) : Robert M. Hempy, et al.

It is certified that error appears in the above-identified patent and that said Letters Patent is hereby corrected as shown below:

On the title page, insert the following:

--[73] Delta International Machinery Corp.,
Pitts., PA--.

Signed and Sealed this
Twenty-fifth Day of August, 1992

Attest:

DOUGLAS B. COMER

Attesting Officer

Acting Commissioner of Patents and Trademarks