



US00D326102S

# United States Patent [19]

[11] Patent Number: **Des. 326,102**

**Mizoguchi**

[45] Date of Patent: **\*\* May 12, 1992**

[54] COLLET

4,262,917 4/1981 Ohestad ..... 279/4  
4,924,739 5/1990 Ademovic ..... 279/4 X

[75] Inventor: **Haruki Mizoguchi, Ikoma, Japan**

### FOREIGN PATENT DOCUMENTS

[73] Assignee: **Mizoguchi Iron Works & Co., Ltd.,  
Nara, Japan**

482766 4/1938 United Kingdom ..... 279/46 R

[\*\*] Term: **14 Years**

*Primary Examiner*—Donald P. Walsh  
*Assistant Examiner*—Antoine D. Davis  
*Attorney, Agent, or Firm*—Wenderoth, Lind & Ponack

[21] Appl. No.: **366,420**

### [57] CLAIM

[22] Filed: **Jun. 15, 1989**

The ornamental design for a collet, as shown.

[52] U.S. Cl. .... **D15/140**

[58] Field of Search ..... D10/139, 140; 279/1 N,  
279/4, 46; 409/182, 231, 232, 233

### DESCRIPTION

### [56] References Cited

#### U.S. PATENT DOCUMENTS

2,214,241 9/1940 Baxendale ..... 279/46 R  
3,819,195 6/1945 Lehde, Jr. et al. .... 279/46 R  
4,245,846 1/1981 Andrews ..... 279/46 R  
4,249,748 2/1981 Andrews ..... 279/46 R

FIG. 1 is an elevational view of a collet showing my new design, the circular member being the same throughout in appearance;  
FIG. 2 is a top plan view;  
FIG. 3 is a bottom plan view;  
FIG. 4 is a cross-sectional view taken along line 4—4 thereof; and,  
FIG. 5 is a perspective view thereof.

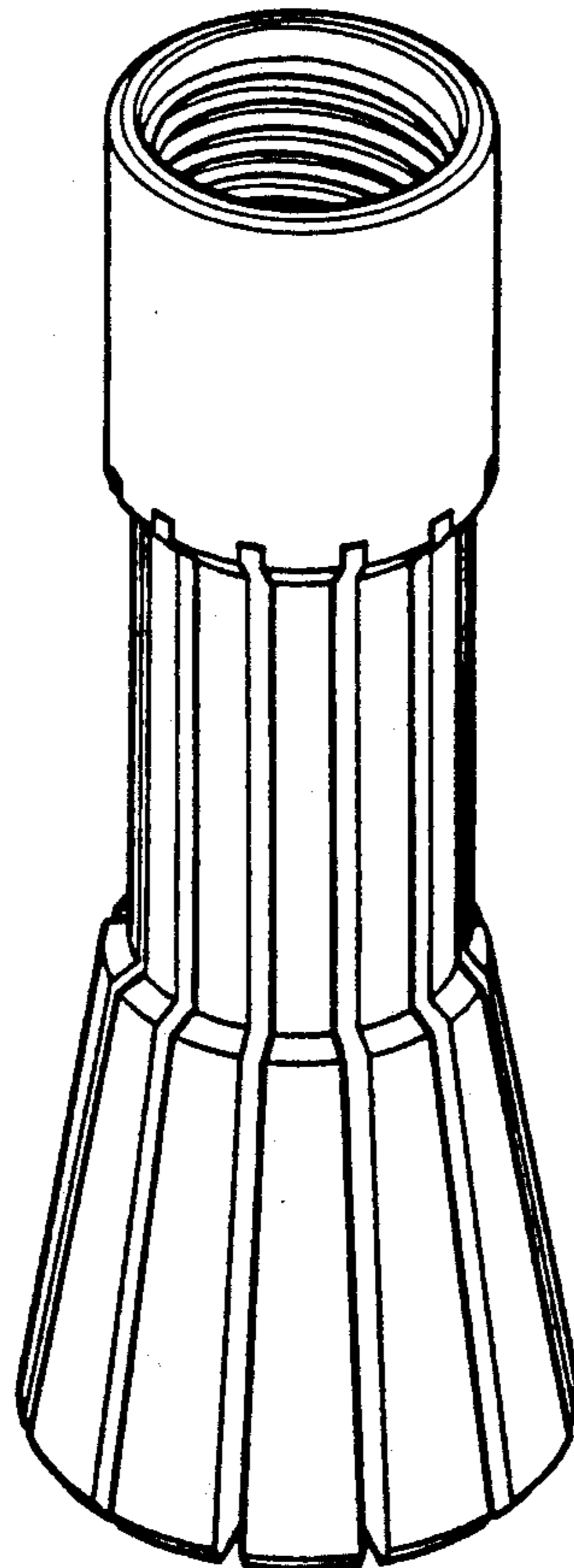


FIG.1

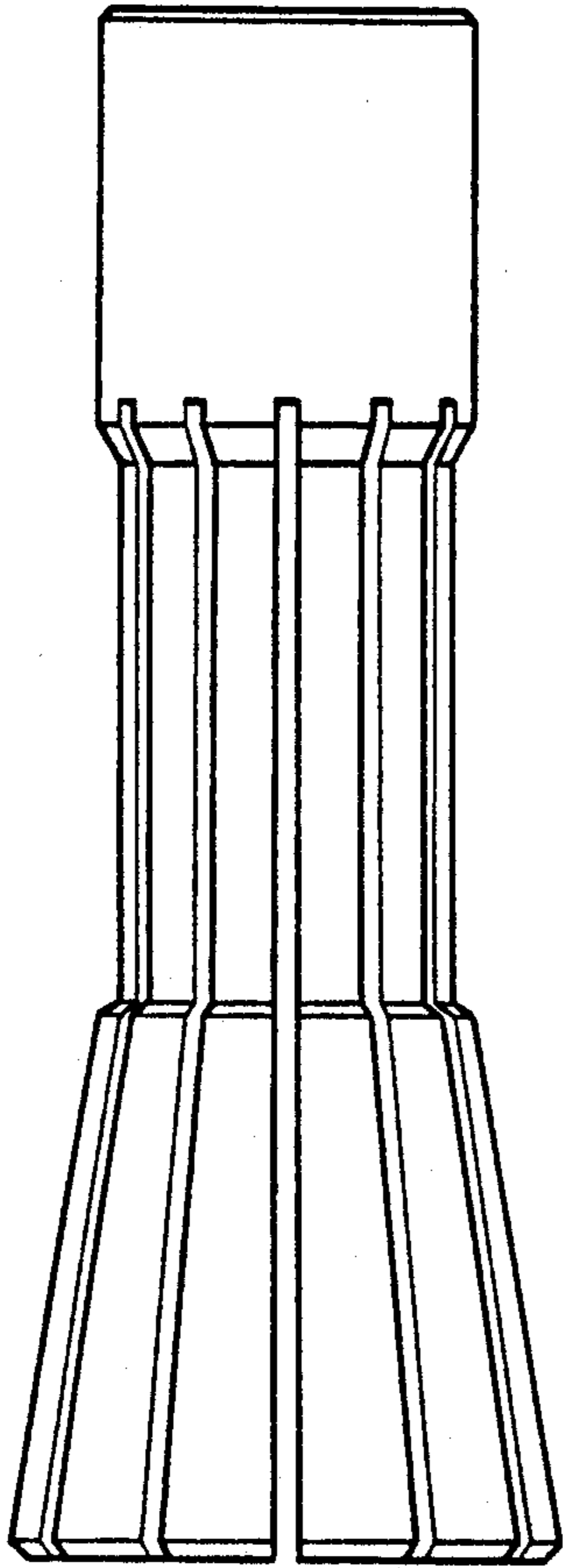


FIG.3

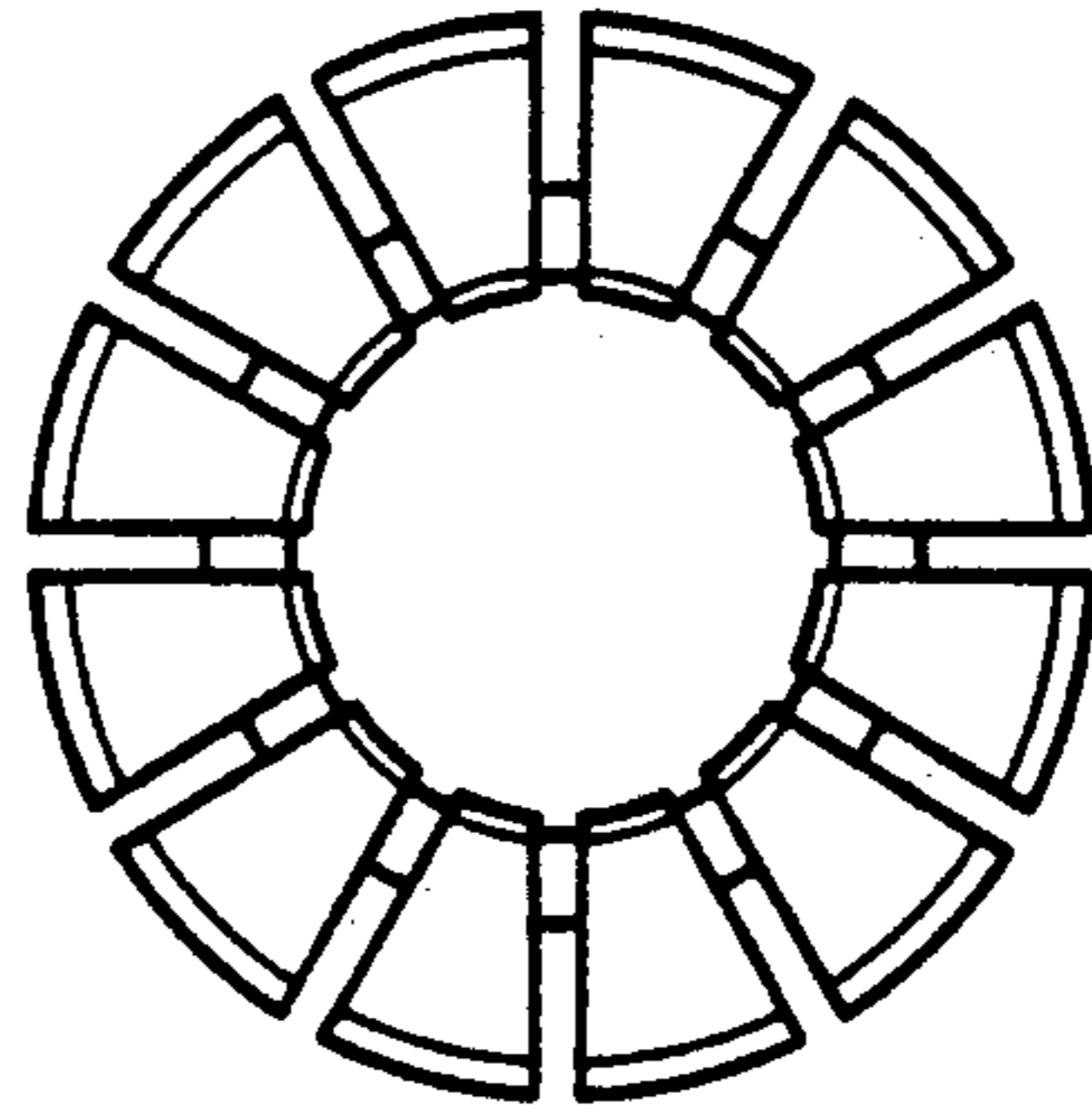


FIG.4

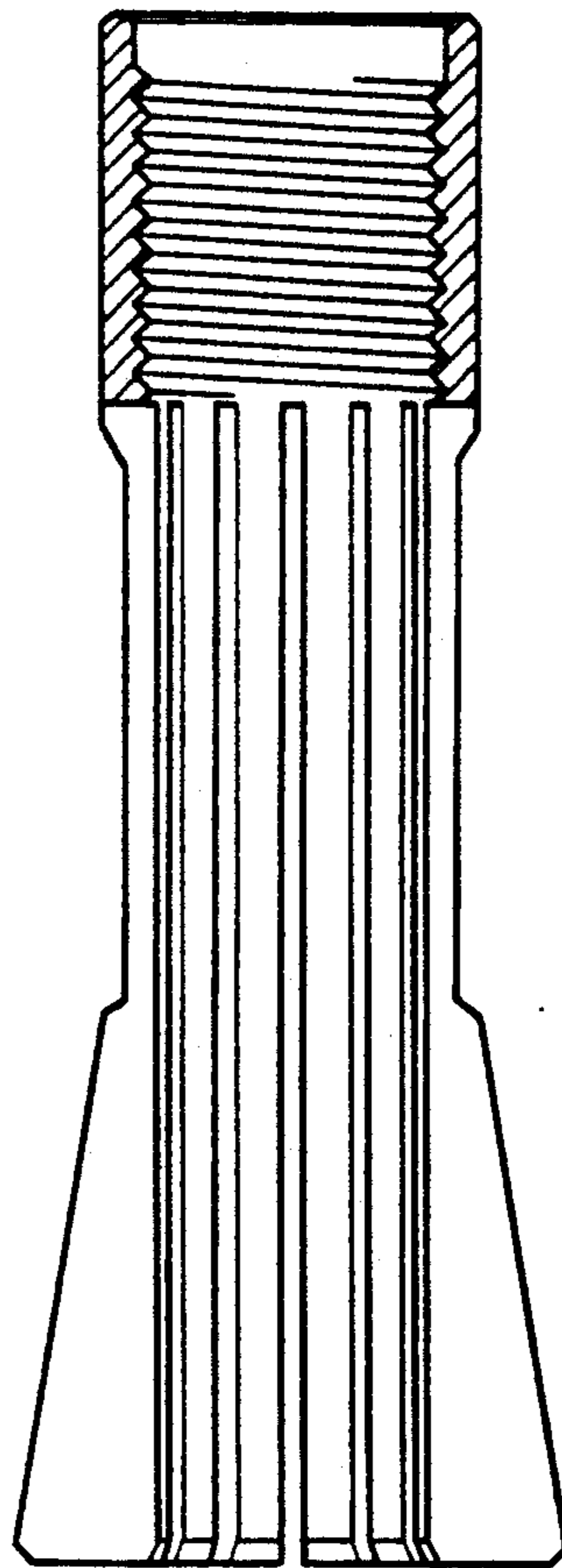


FIG.2

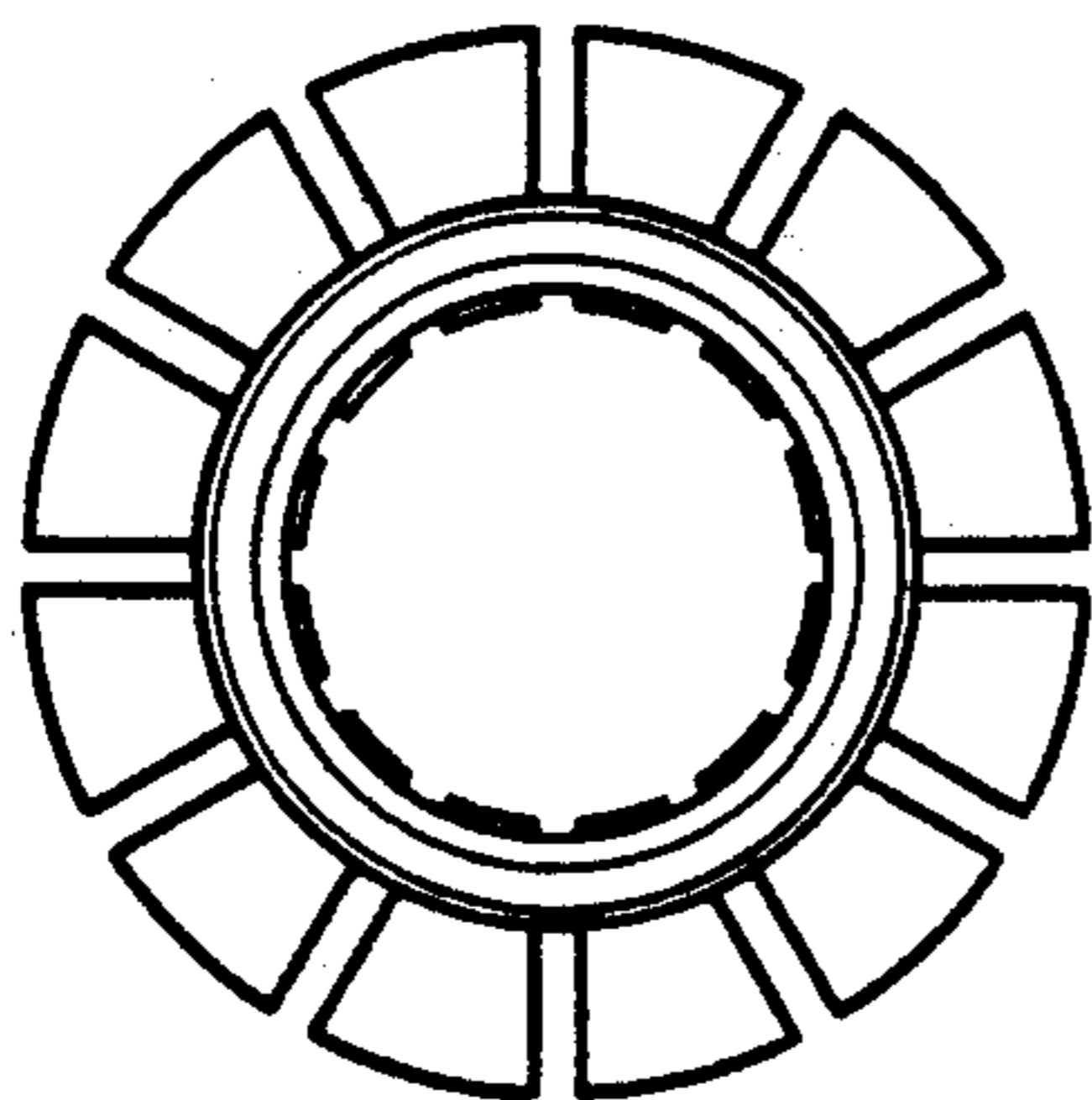


FIG.5

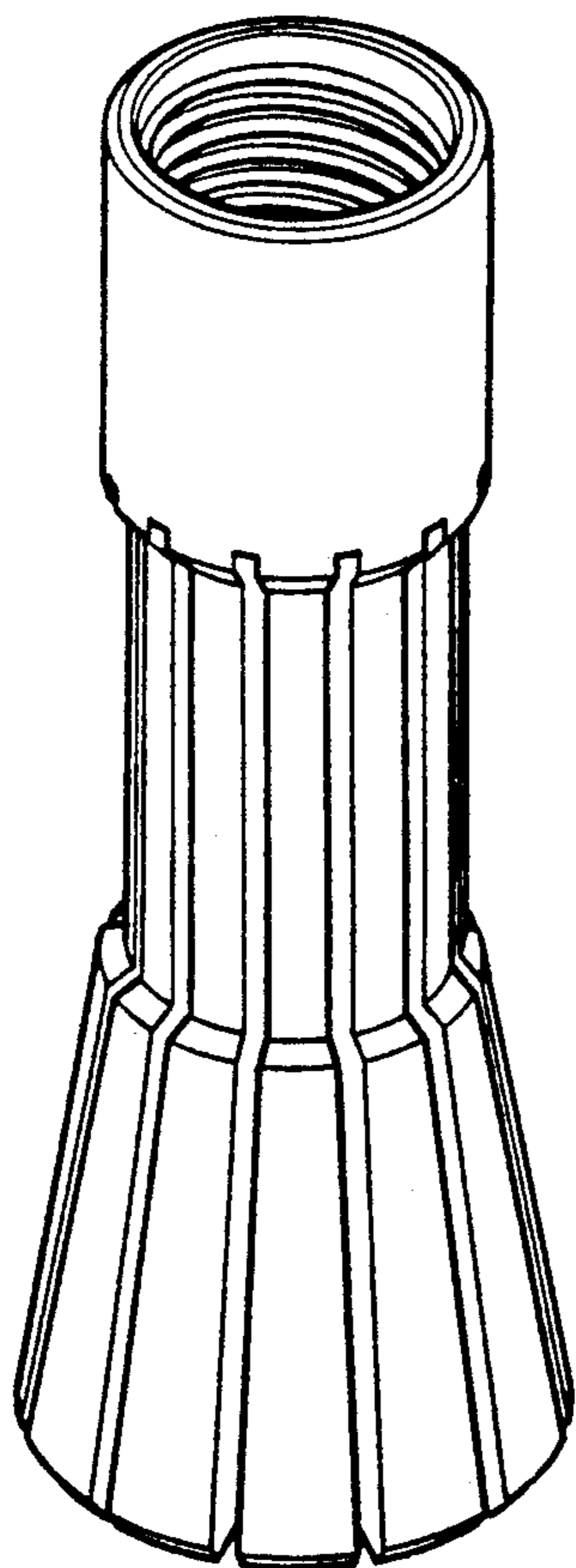


FIG.6

