



US00D326101S

United States Patent [19]

[11] Patent Number: **Des. 326,101**

Tsay

[45] Date of Patent: **** May 12, 1992**

[54] TOOL REST FOR MILLING PLANER

[76] Inventor: **Han-Tsun Tsay**, 33, Lane 85, Tzu Yu I Rd., San Min District, Kao Hsiung, Taiwan

[**] Term: **14 Years**

[21] Appl. No.: **479,590**

[22] Filed: **Feb. 13, 1990**

[52] U.S. Cl. **D15/131; D15/138**

[58] Field of Search **D15/131, 138, 139, 140, D15/141; 409/144, 215, 216**

[56] References Cited

U.S. PATENT DOCUMENTS

D. 214,400	6/1969	Wright	D15/131
1,517,101	11/1924	Borger	D15/141 X
1,720,712	7/1929	Armitage	409/215
1,976,107	10/1934	Arches	409/216 X
2,183,166	12/1939	Palumbo	409/144
2,307,222	1/1943	Johnson	409/215

FOREIGN PATENT DOCUMENTS

544519 4/1973 U.S.S.R. 409/215

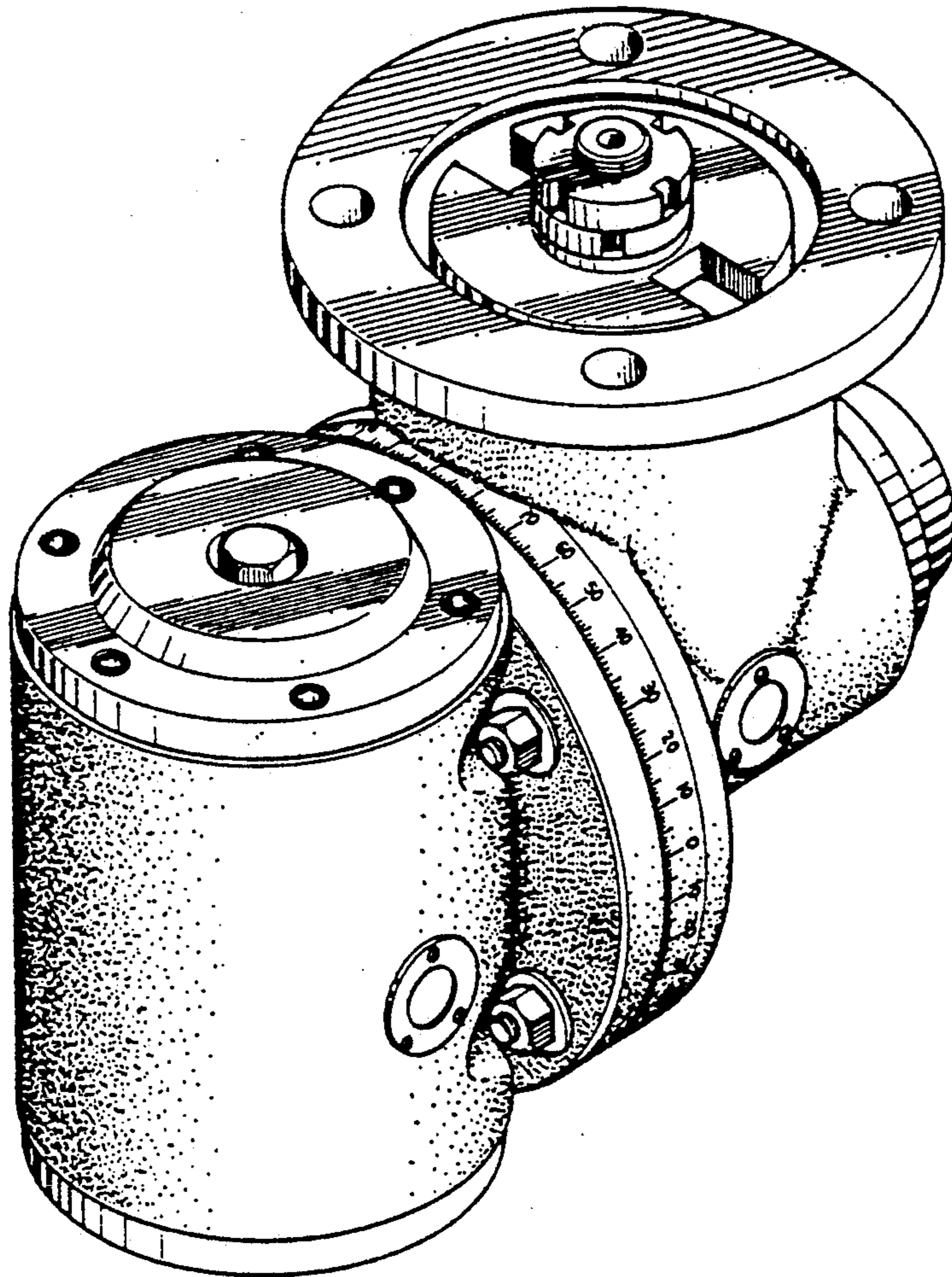
Primary Examiner—Donald P. Walsh
Assistant Examiner—Antoine D. Davis
Attorney, Agent, or Firm—Morton J. Rosenberg; David I. Klein

[57] CLAIM

The ornamental design for a tool rest for milling planer, as shown and described.

DESCRIPTION

FIG. 1 is a perspective view of a tool rest for milling planer showing my new design; FIG. 2 is a top plan view; FIG. 3 is a right side elevational view; FIG. 4 is a rear elevational view; FIG. 5 is a left side elevational view; FIG. 6 is a front elevational view; and, FIG. 7 is a bottom plan view thereof. FIG. 1 has been drawn on an enlarged scale with respect to FIGS. 2-7.



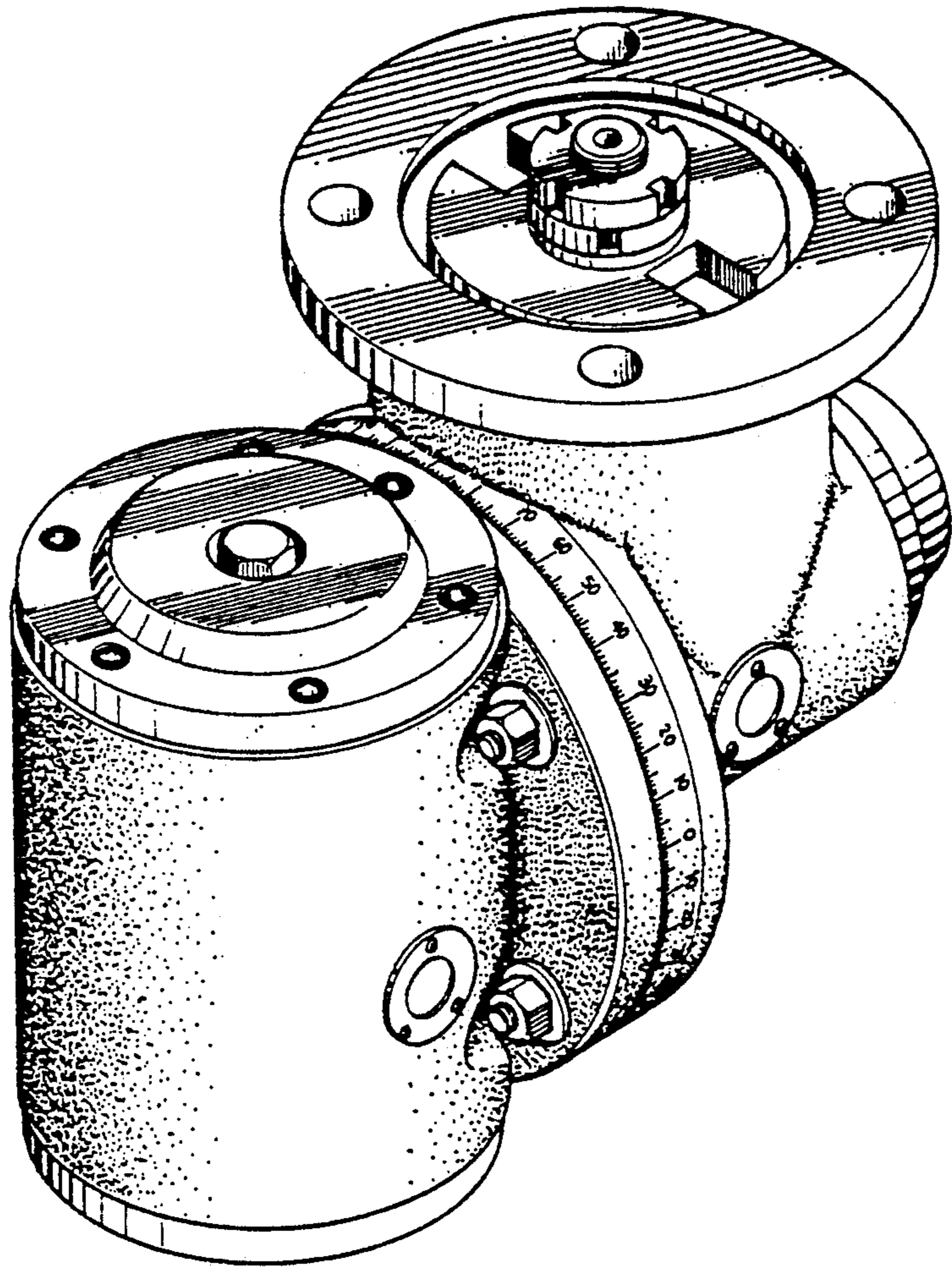


FIG. 1

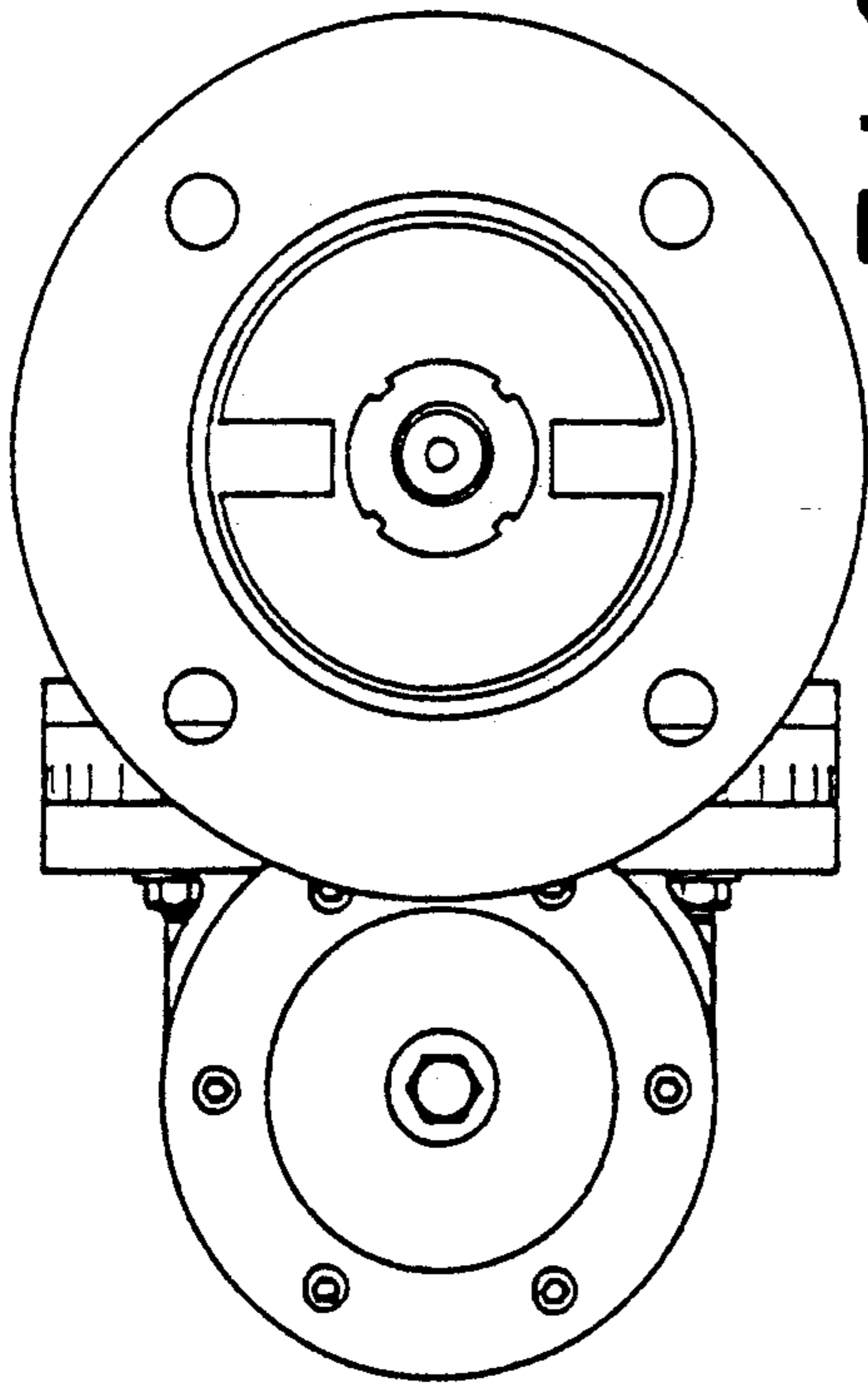


FIG. 2

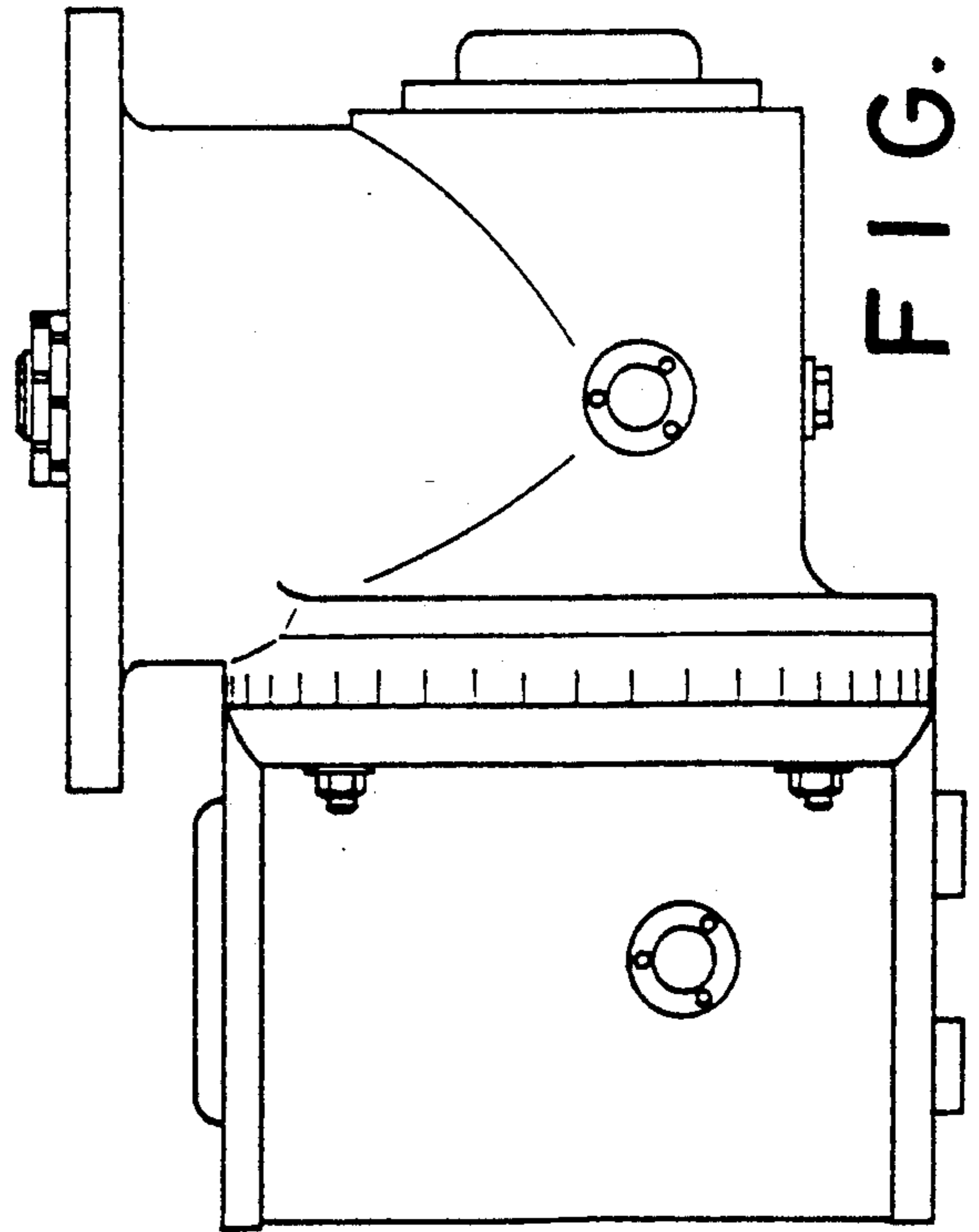


FIG. 3

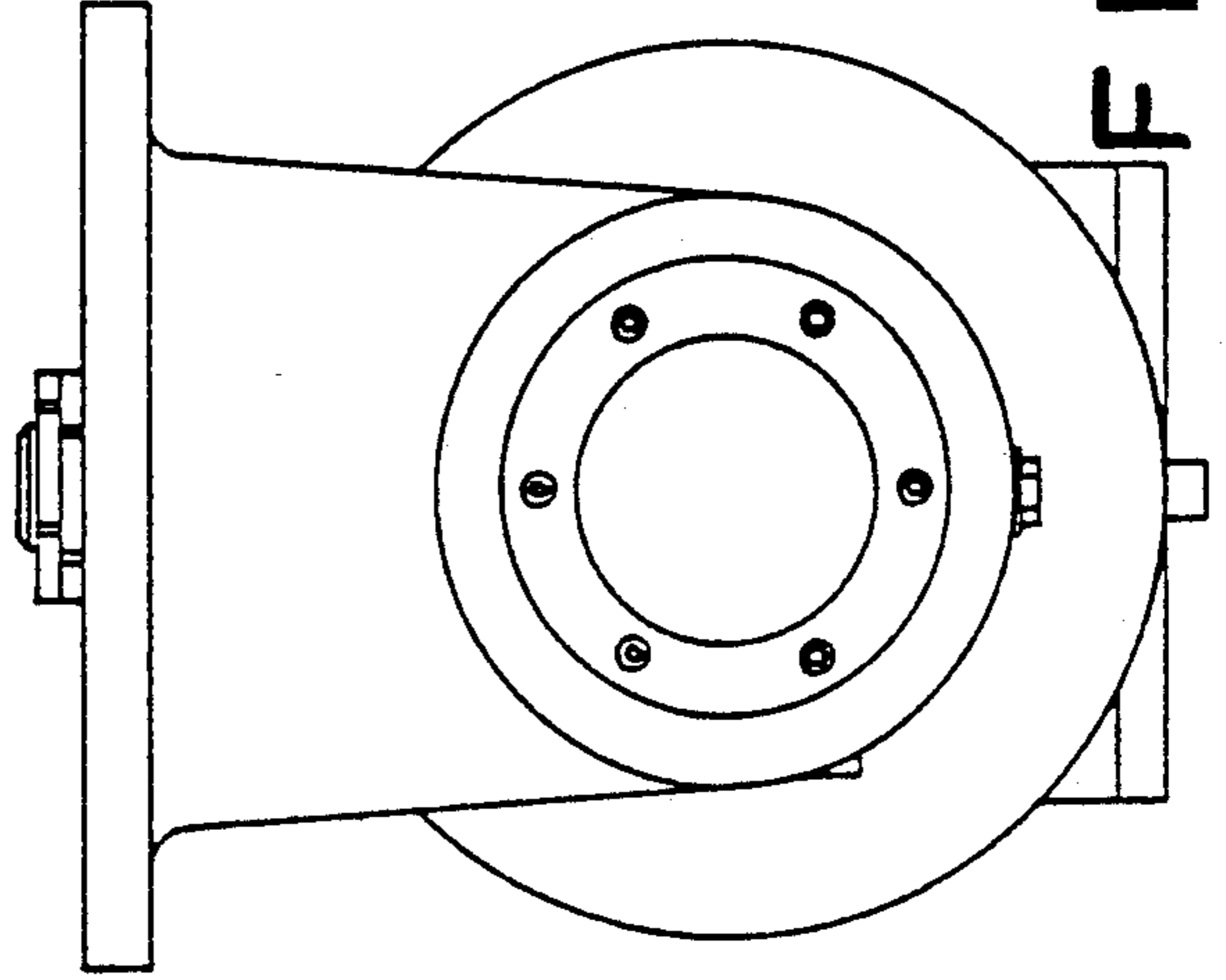


FIG. 4

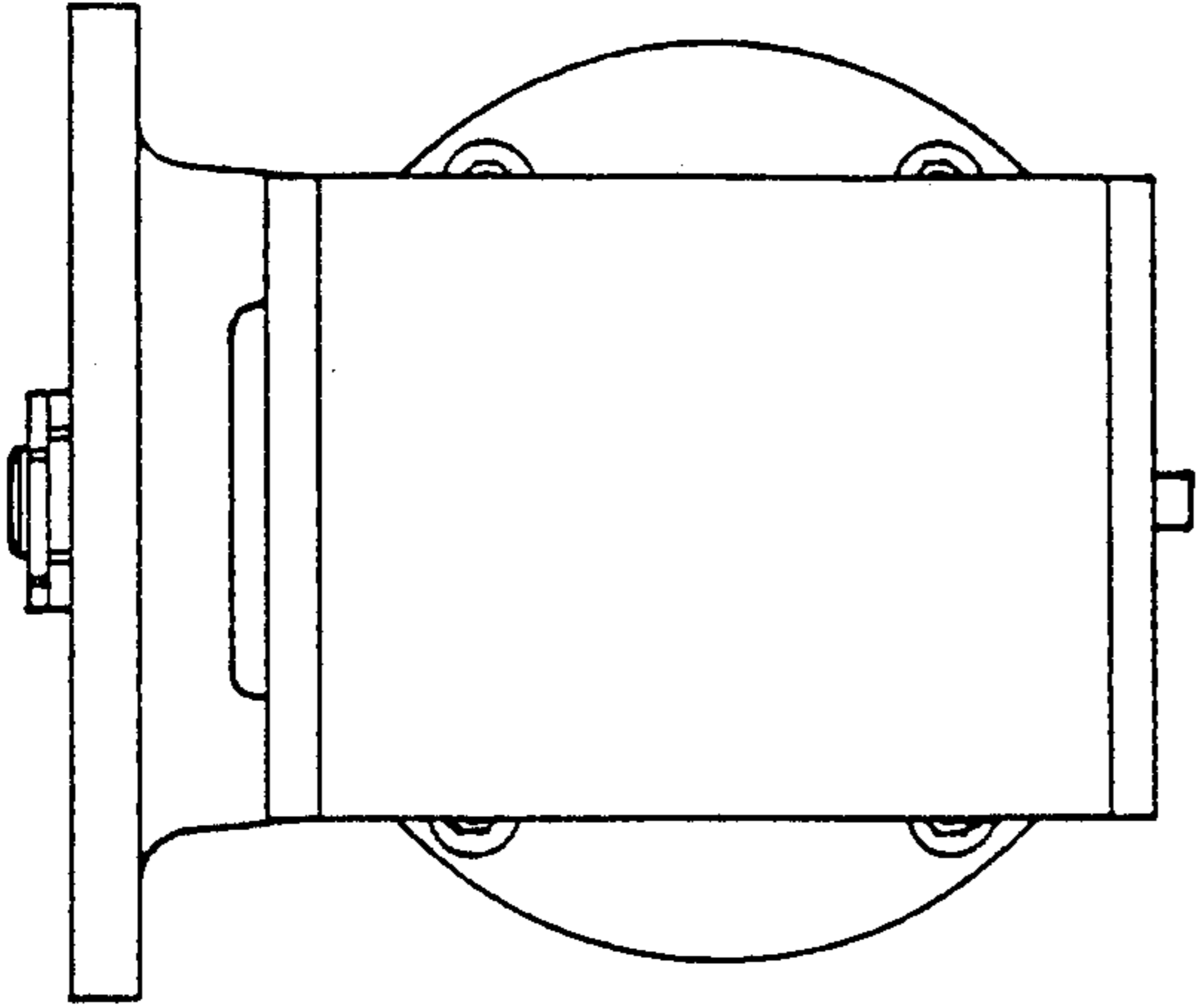


FIG. 6

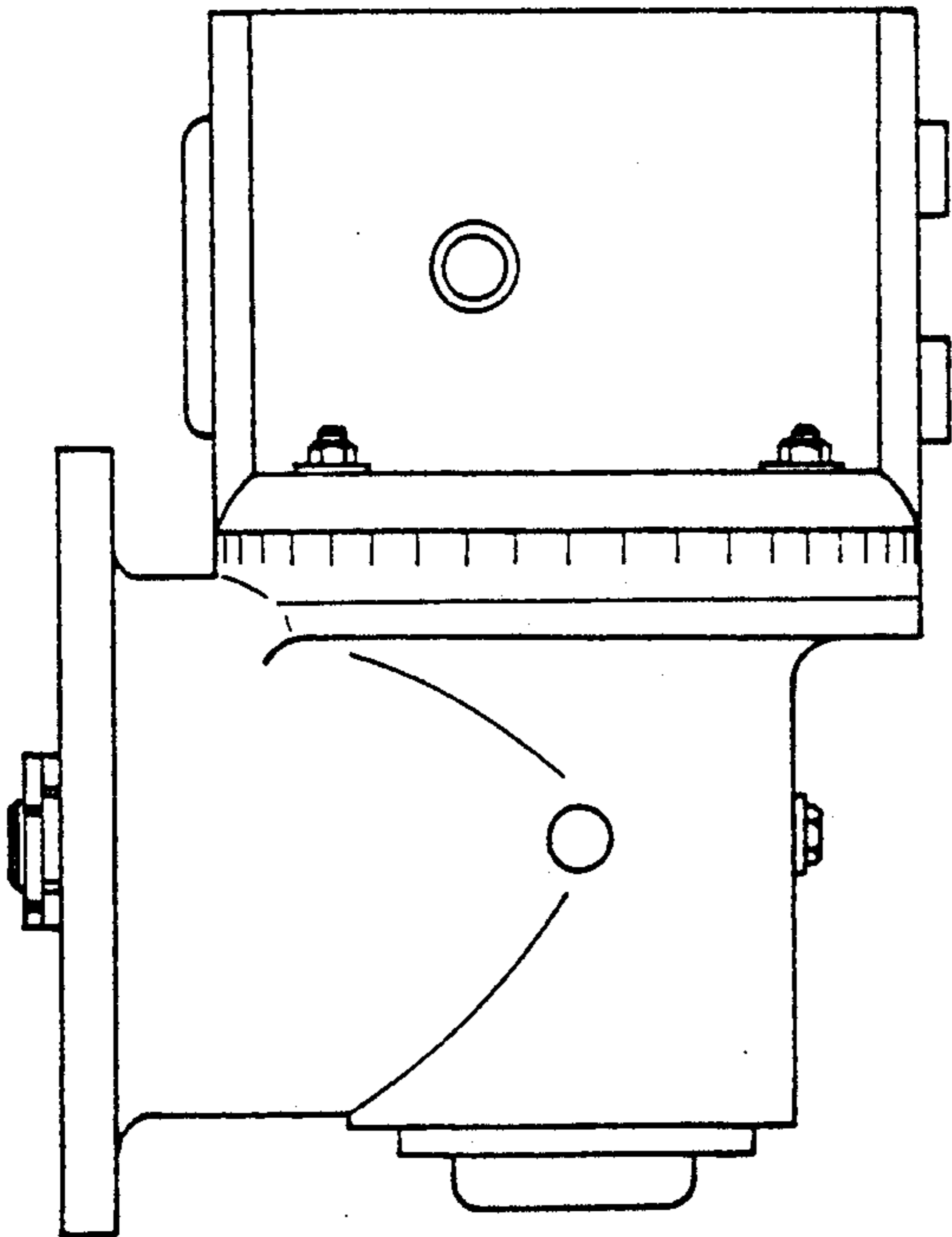


FIG. 5

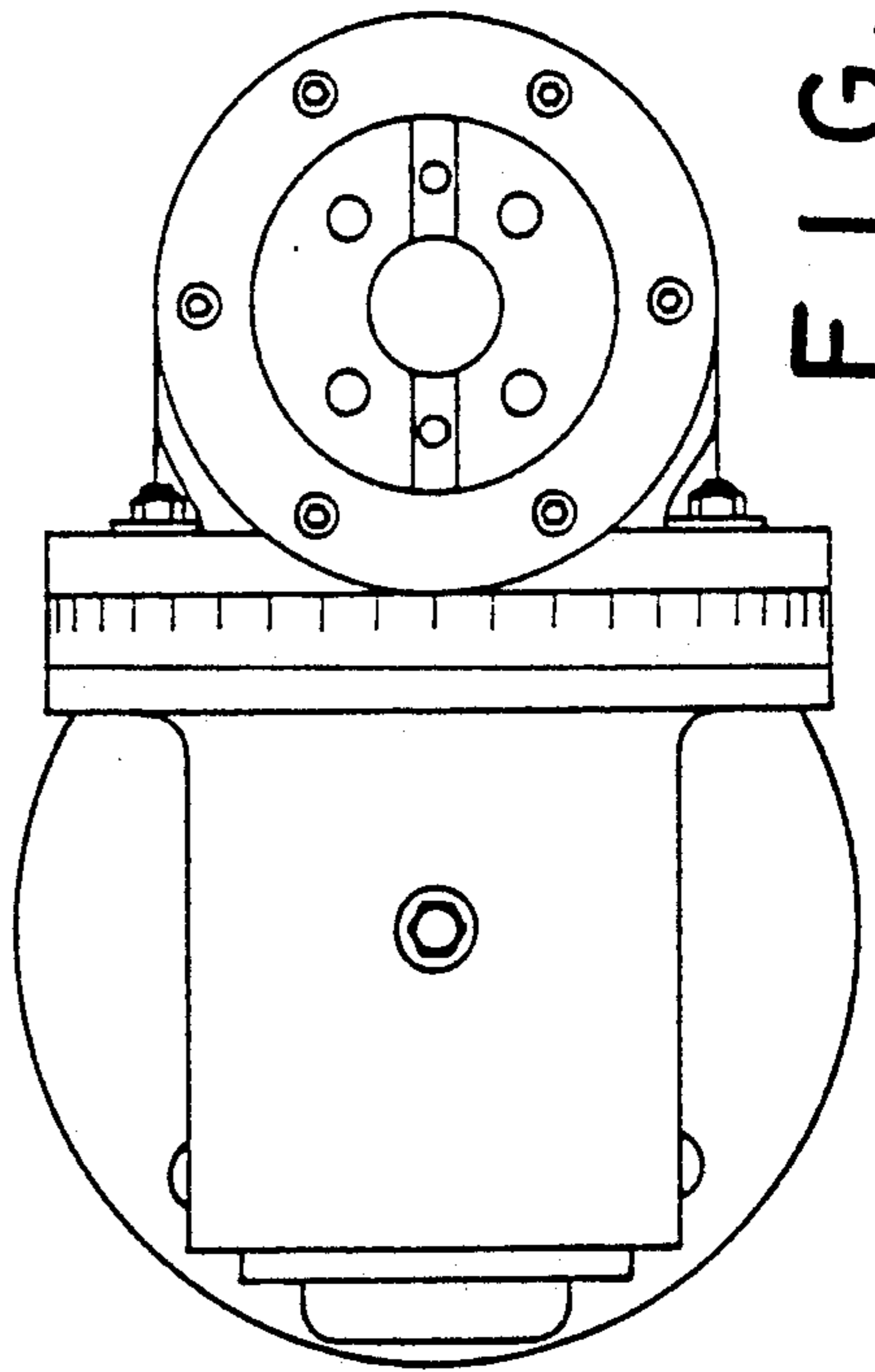


FIG. 7