



US00D326100S

# United States Patent [19]

[11] Patent Number: **Des. 326,100**

**Marriott**

[45] Date of Patent: **\*\* May 12, 1992**

[54] **ENGINE LATHE**

[56] **References Cited**

[75] Inventor: **Roger W. Marriott, Clacton-on-Sea, England**

### U.S. PATENT DOCUMENTS

D. 178,431	7/1956	Sickmann et al. ....	D15/130
D. 301,717	6/1989	Huang .....	D15/130
2,801,617	8/1957	Lan .....	82/134 X
3,688,364	9/1972	Ledergerber .....	82/120 X
4,704,773	11/1987	Quinart et al. ....	29/27 C
4,953,274	9/1990	Rehage et al. ....	82/121 X

[73] Assignee: **The Colchester Lathe Company, Limited, Colchester, United Kingdom**

*Primary Examiner*—Bruce W. Dunkins  
*Assistant Examiner*—Antoine D. Davis

[\*\*] Term: **14 Years**

### [57] CLAIM

[21] Appl. No.: **376,260**

The ornamental design for an engine lathe, as shown and described.

[22] Filed: **Jul. 6, 1989**

### DESCRIPTION

### [30] Foreign Application Priority Data

Mar. 31, 1989 [GB] United Kingdom ..... 1058310

[52] U.S. Cl. .... **D15/130**

[58] Field of Search ..... D15/130; 29/27 C;  
74/813 L, 826; 82/117, 120, 121, 134, 143;  
408/35

FIG. 1 is a perspective view of an engine lathe showing my new design;  
FIG. 2 is a front elevational view;  
FIG. 3 is a rear elevational view;  
FIG. 4 is a left side elevational view;  
FIG. 5 is a right side elevational view; and,  
FIG. 6 is a top plan view thereof.

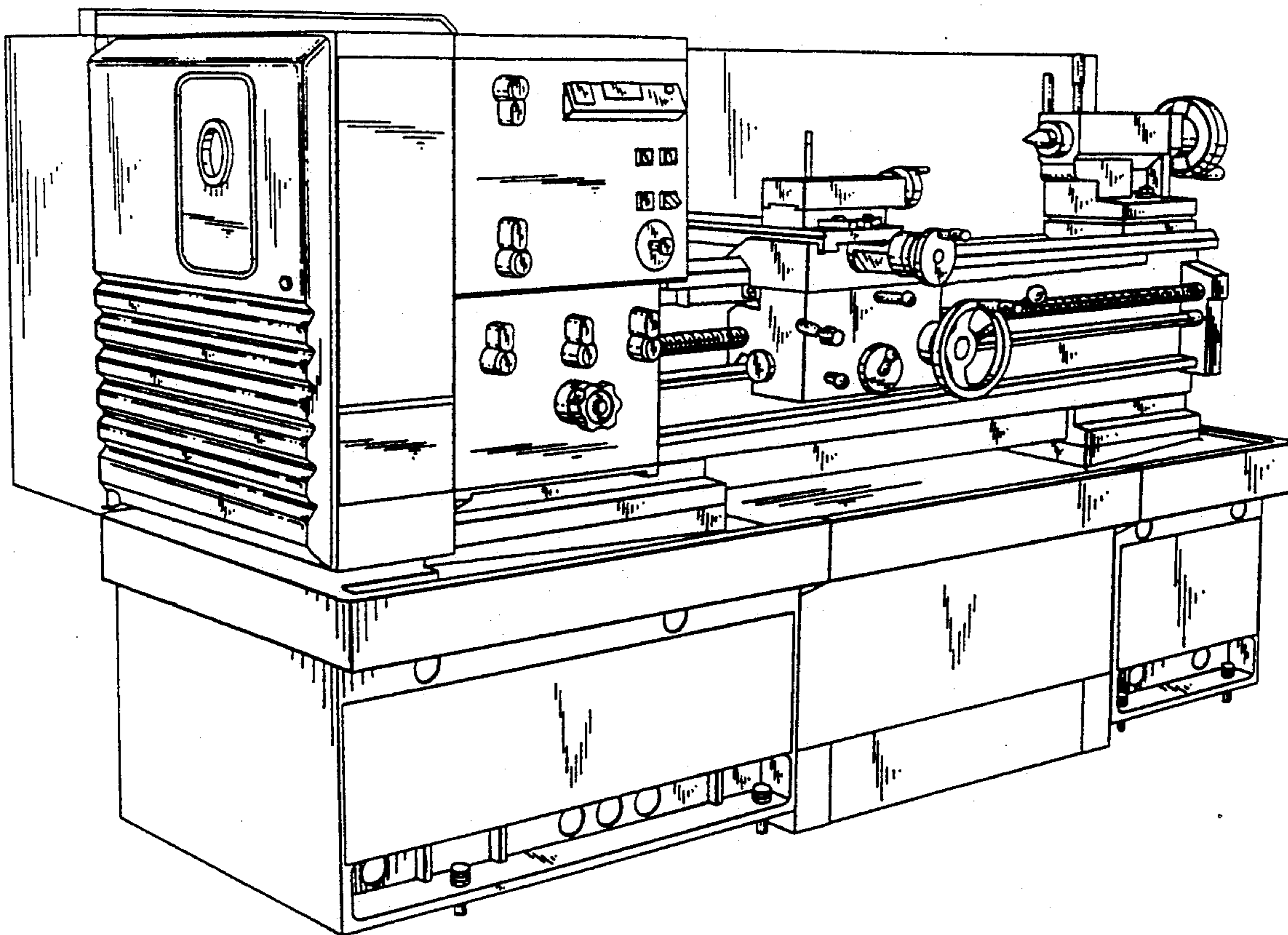


FIG. 1

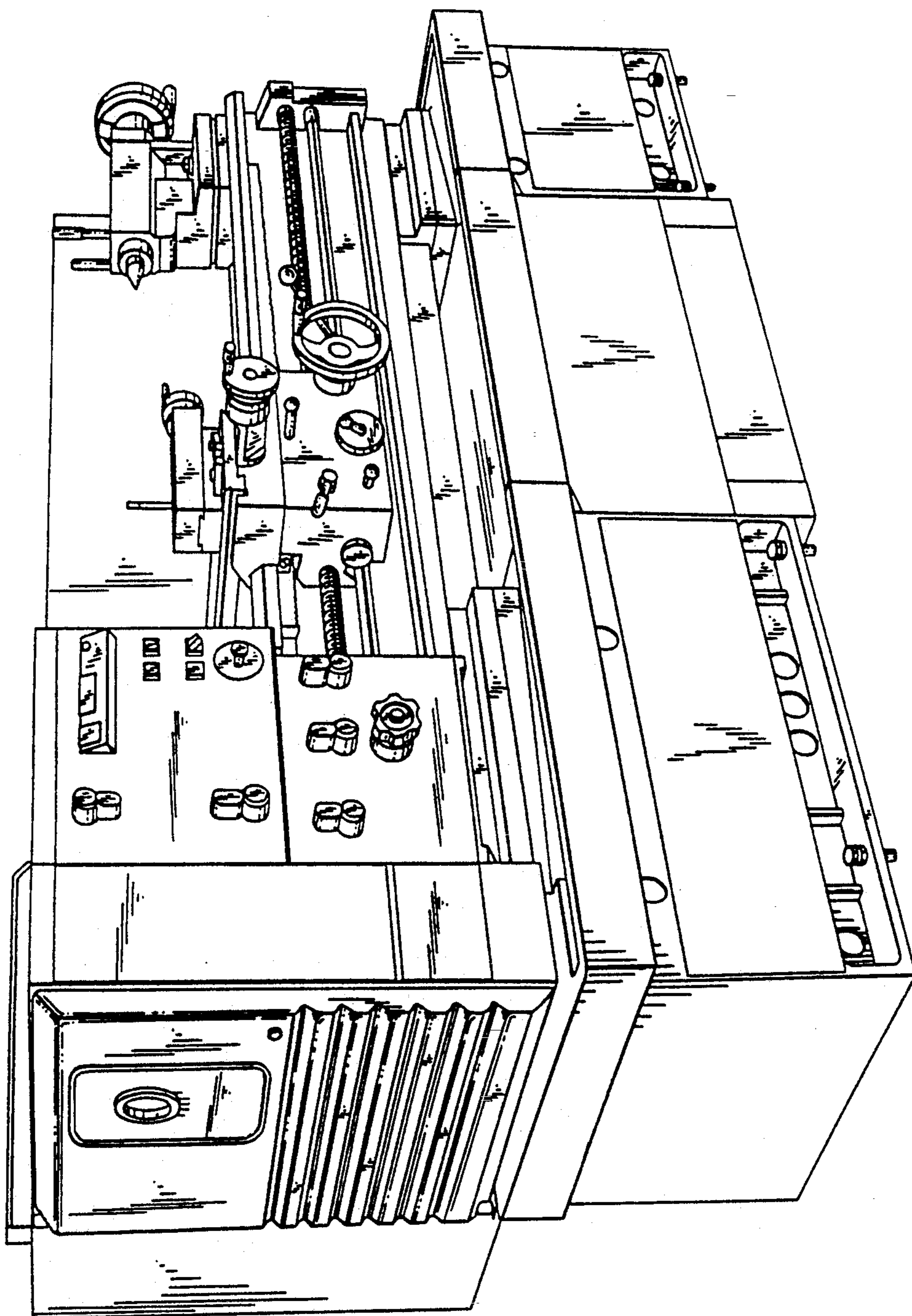


FIG. 2

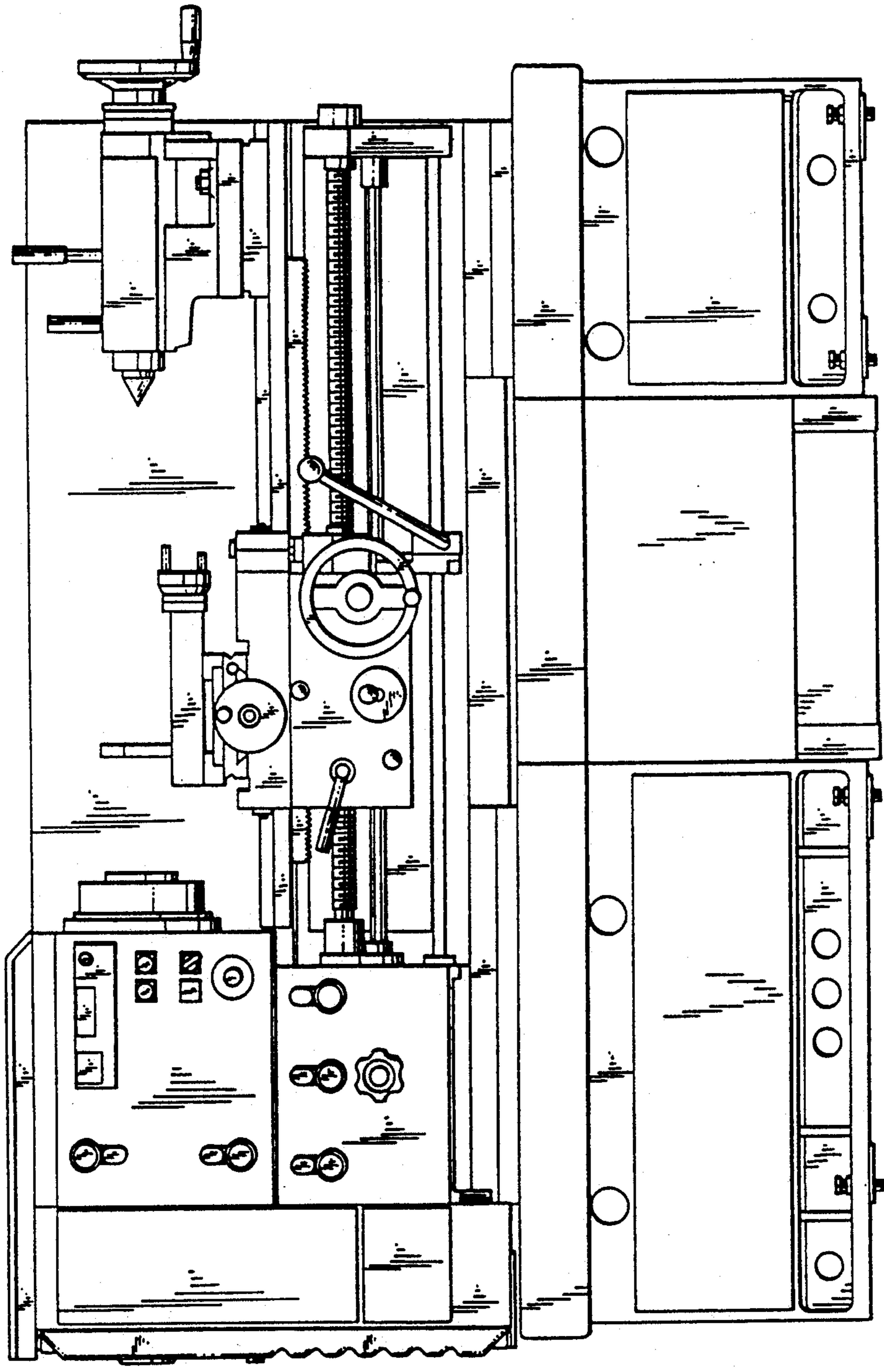


FIG. 3

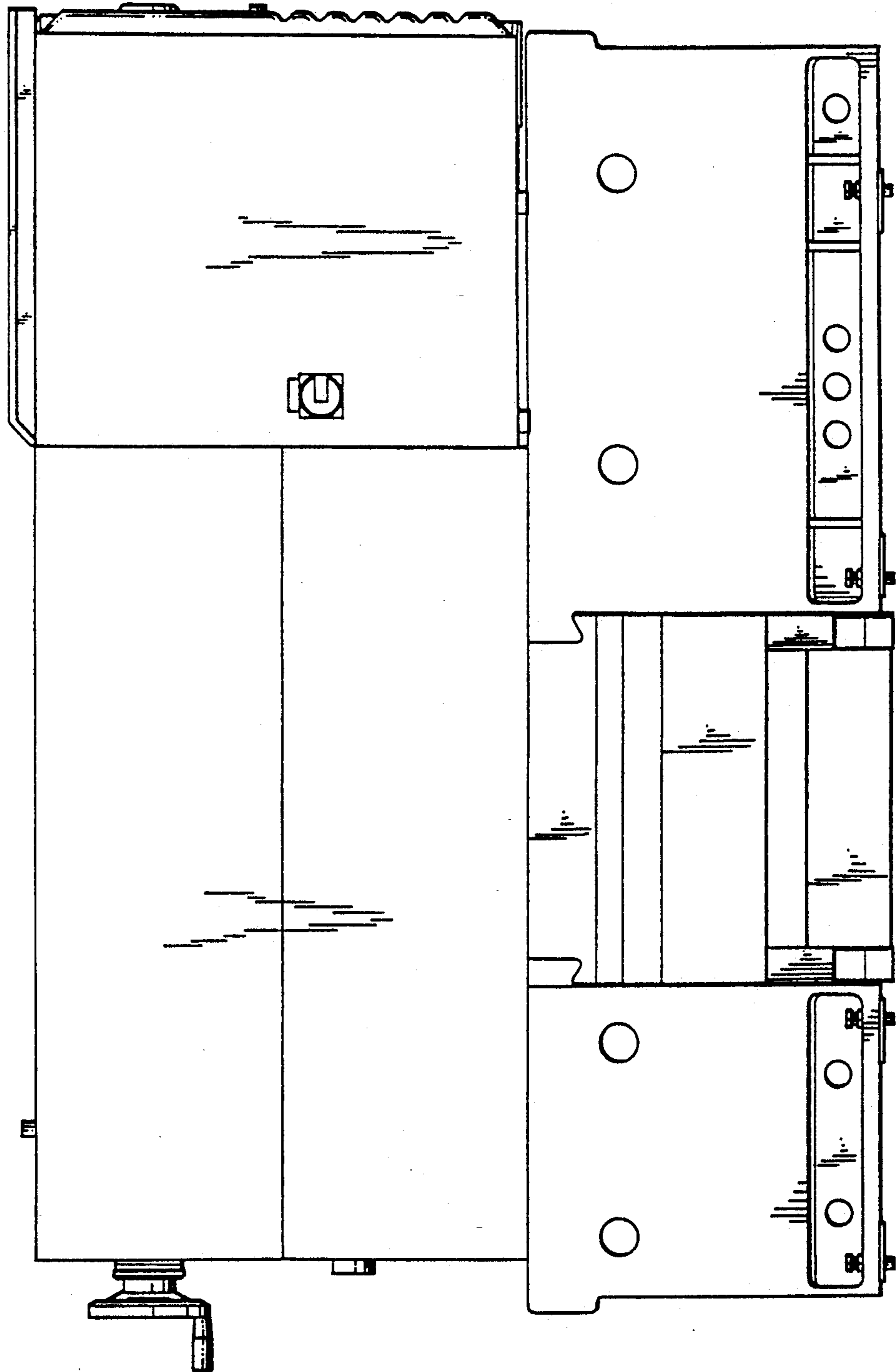




FIG. 4

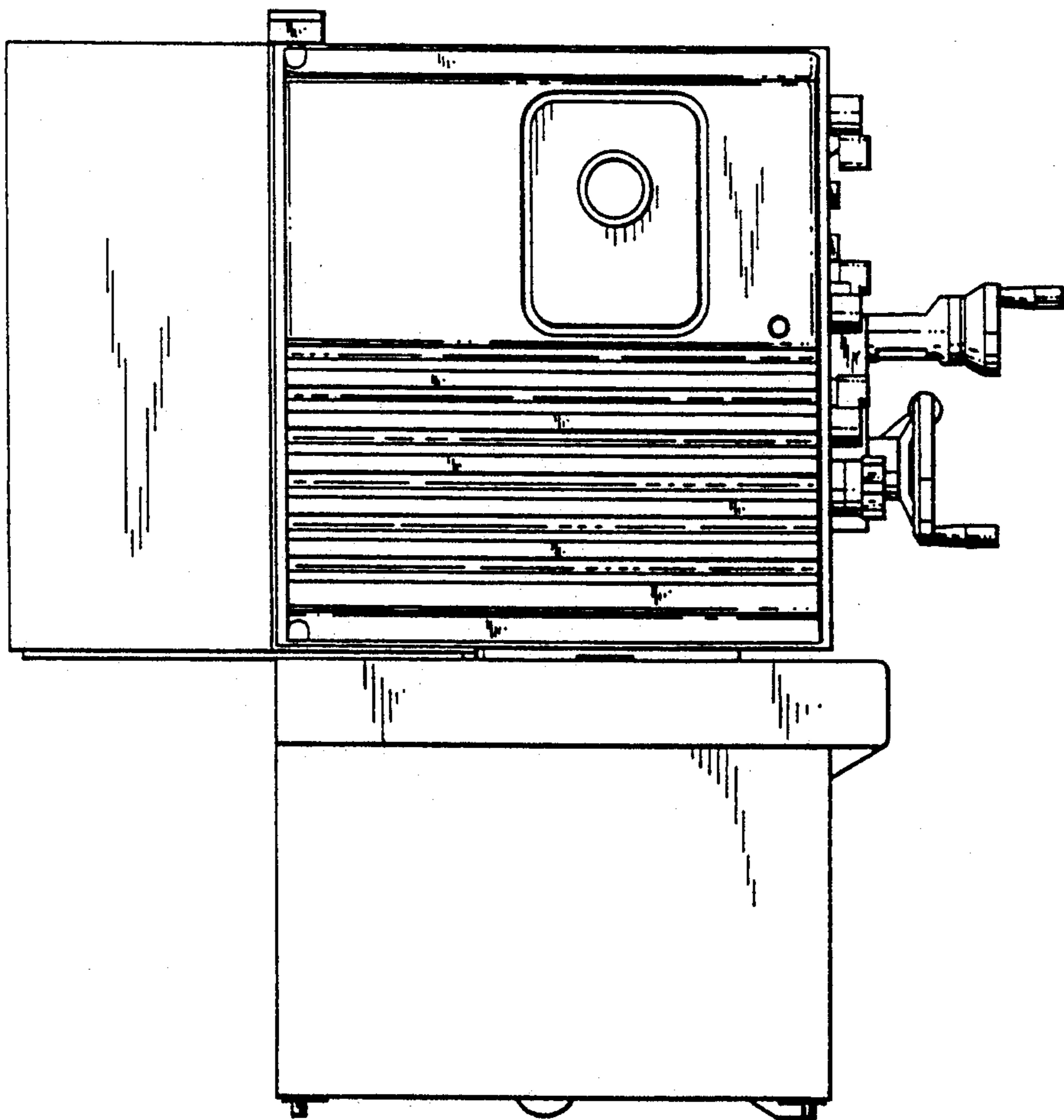


FIG. 5

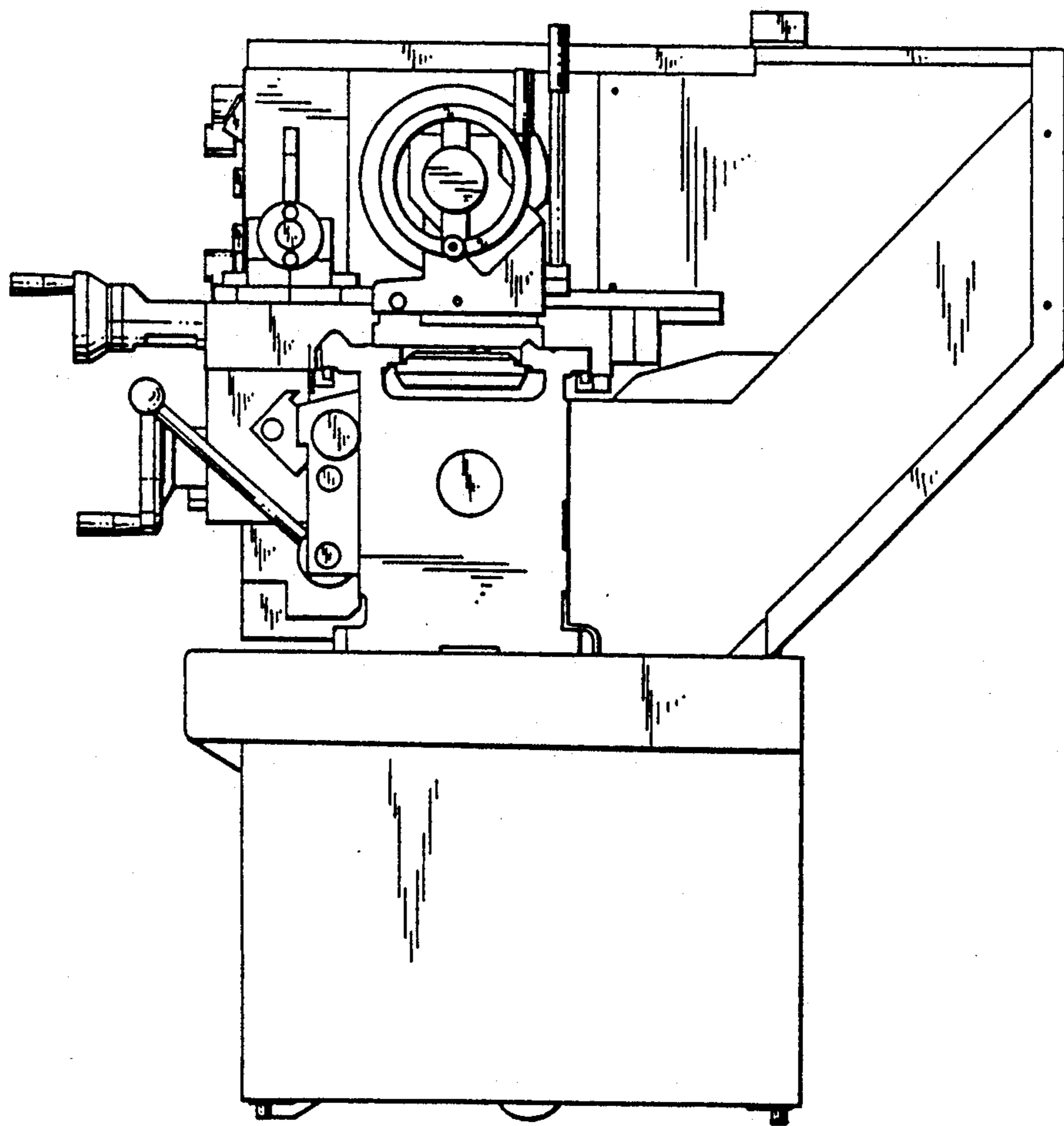


FIG. 6

