



US00D326099S

# United States Patent [19]

[11] Patent Number: **Des. 326,099**

Creech

[45] Date of Patent: **\*\* May 12, 1992**

[54] **BEAM PROFILE MACHINE**

4,586,646 5/1986 Booher ..... 29/897.35 X

[76] Inventor: **Clyde W. Creech**, 2243 W. South Mountain Ave., Phoenix, Ariz. 85041

*Primary Examiner*—Donald P. Walsh  
*Assistant Examiner*—Antoine D. Davis  
*Attorney, Agent, or Firm*—Cahill, Sutton & Thomas

[\*\*] Term: **14 Years**

[21] Appl. No.: **347,442**

[57] **CLAIM**

The ornamental design for a beam profile machine, as shown and described.

[22] Filed: **May 4, 1989**

[52] U.S. Cl. .... **D15/127; D15/133**

[58] Field of Search ..... **D15/127, 133; 29/897.35, 557, DIG. 24; 83/DIG. 2; 148/9 R; 266/48**

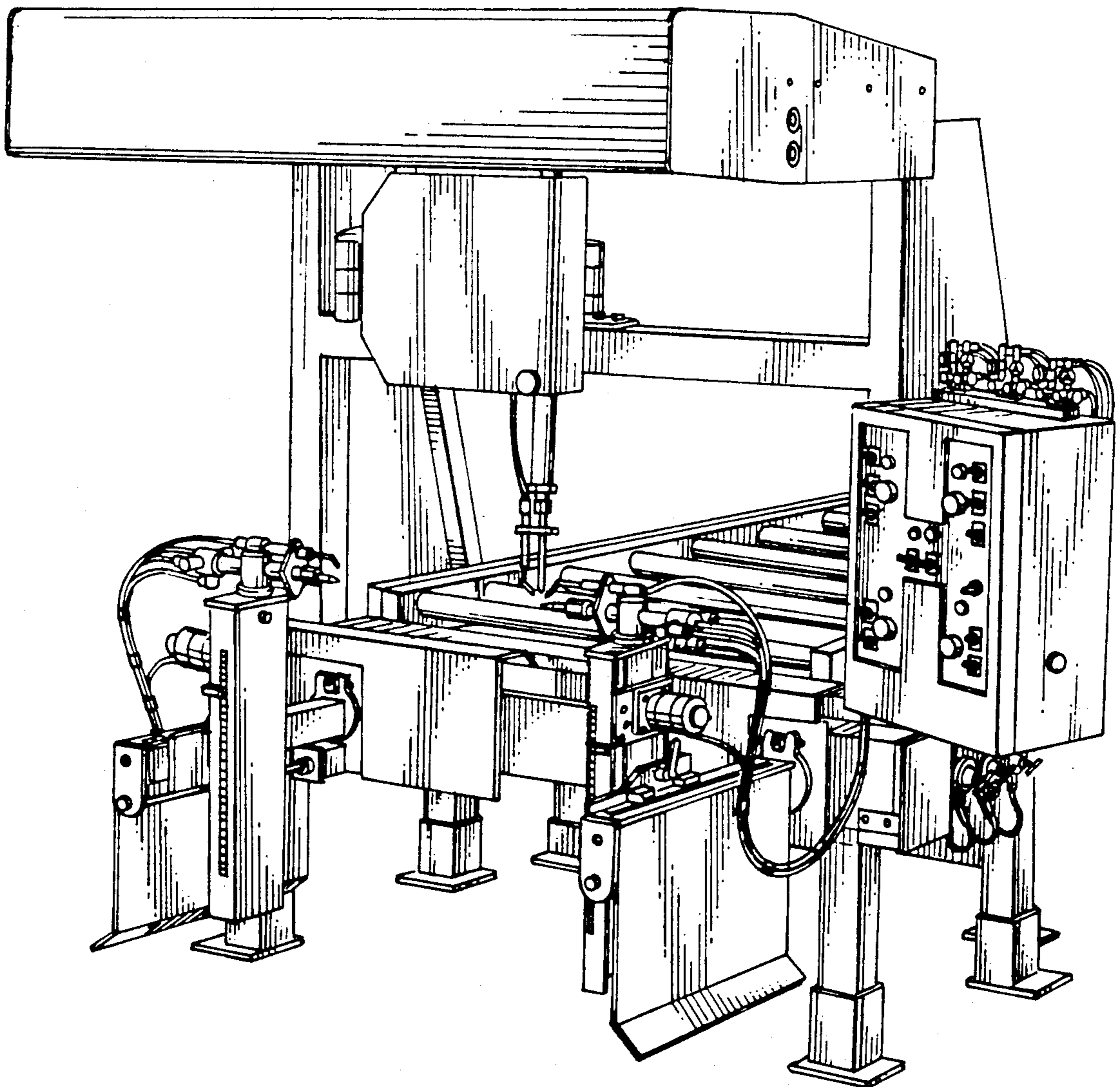
**DESCRIPTION**

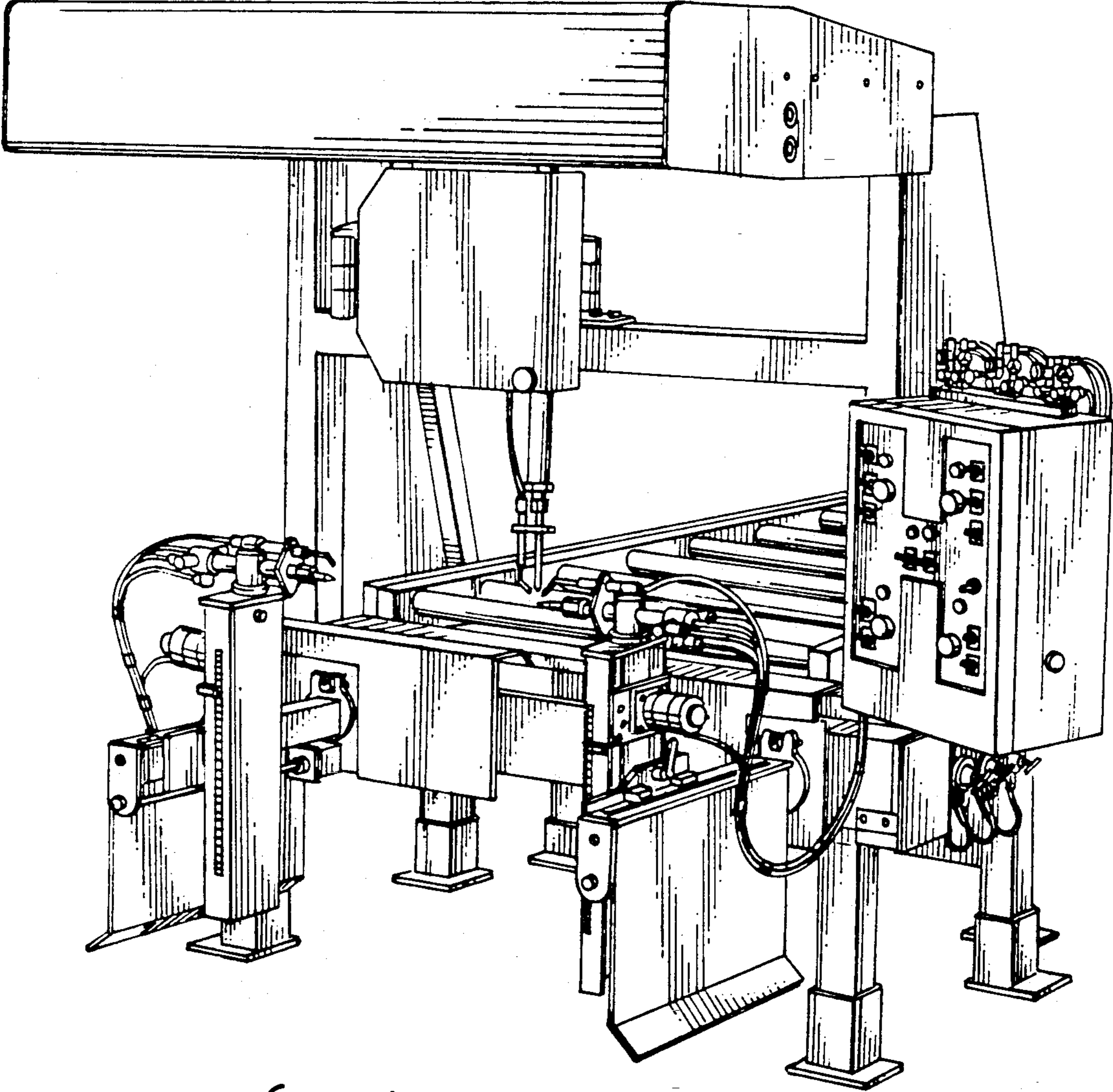
FIG. 1 is a perspective view of a beam profile machine showing my new design;  
FIG. 2 is a top plan view;  
FIG. 3 is a left side elevational view;  
FIG. 4 is a right side elevational view;  
FIG. 5 is a front elevational view; and,  
FIG. 6 is a rear elevational view thereof.  
FIGS. 1, 5 and 6 have been drawn on a reduced scale with respect to FIGS. 2-4.

[56] **References Cited**

**U.S. PATENT DOCUMENTS**

D. 121,577	7/1940	Shields	.....	D15/127
D. 286,536	11/1986	Beck et al.	.....	D15/127
3,789,489	2/1974	Valente	.....	29/897.35 X
4,129,460	12/1978	Brolund et al.	.....	148/9 R





*fig. 1*

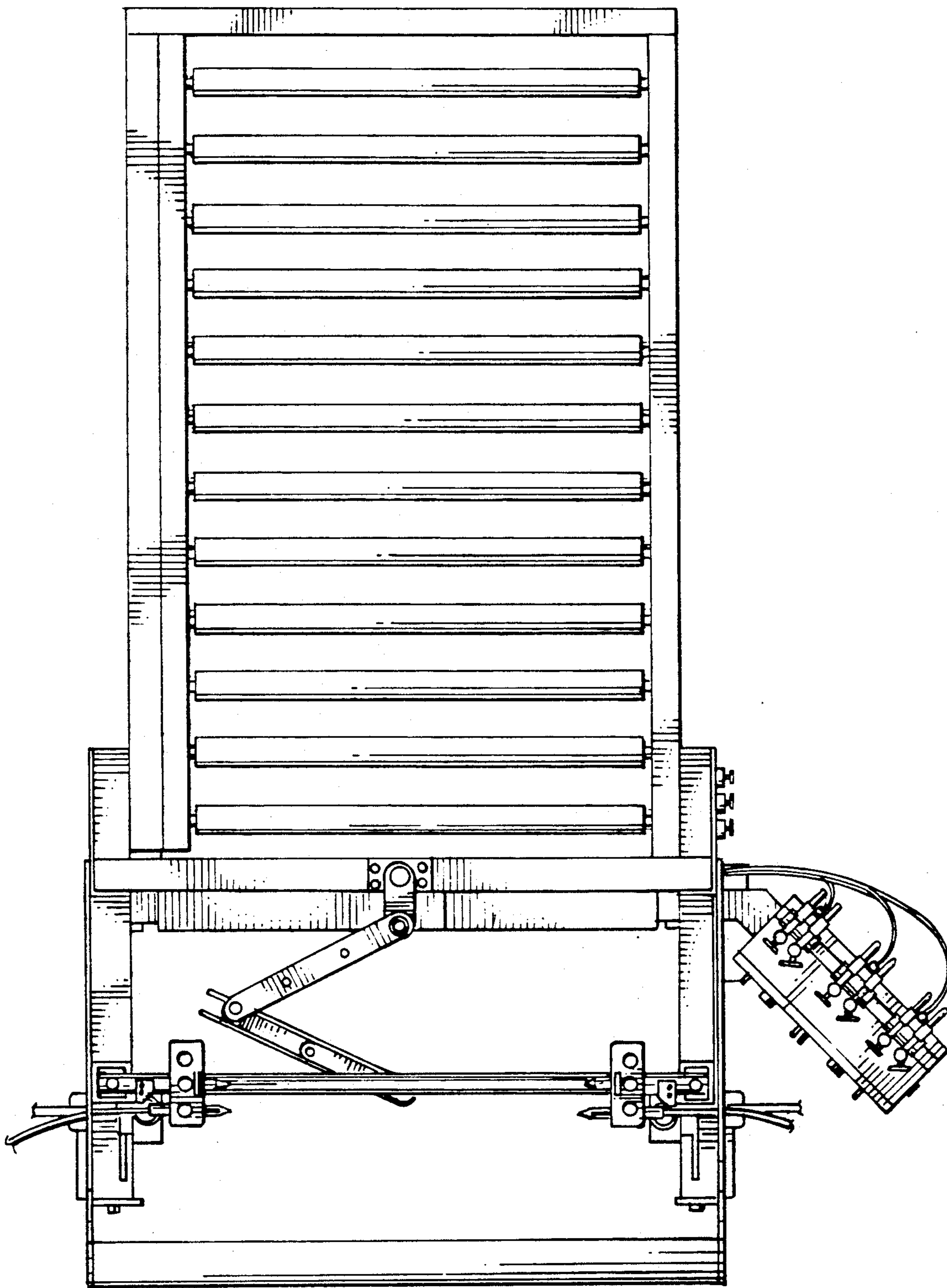
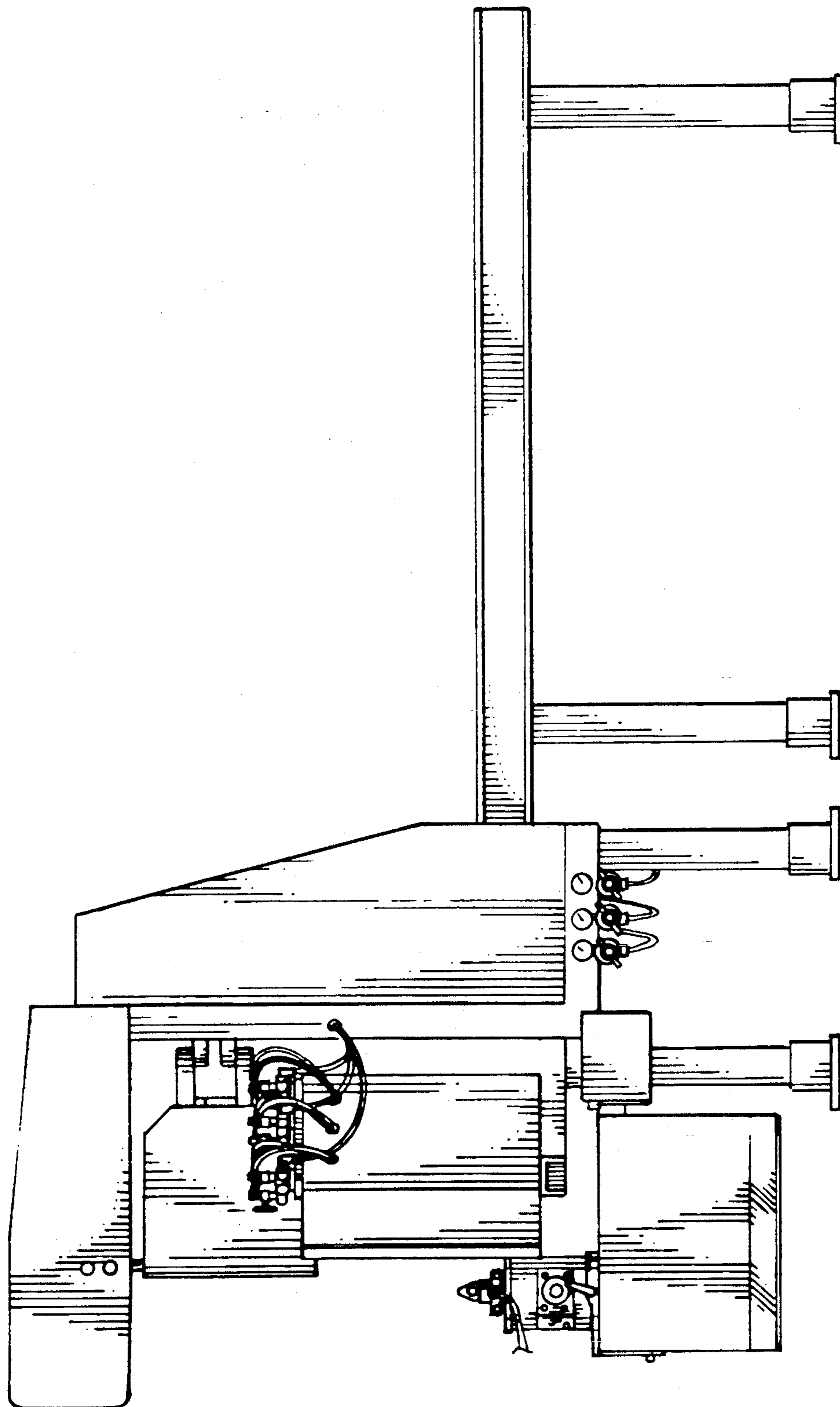
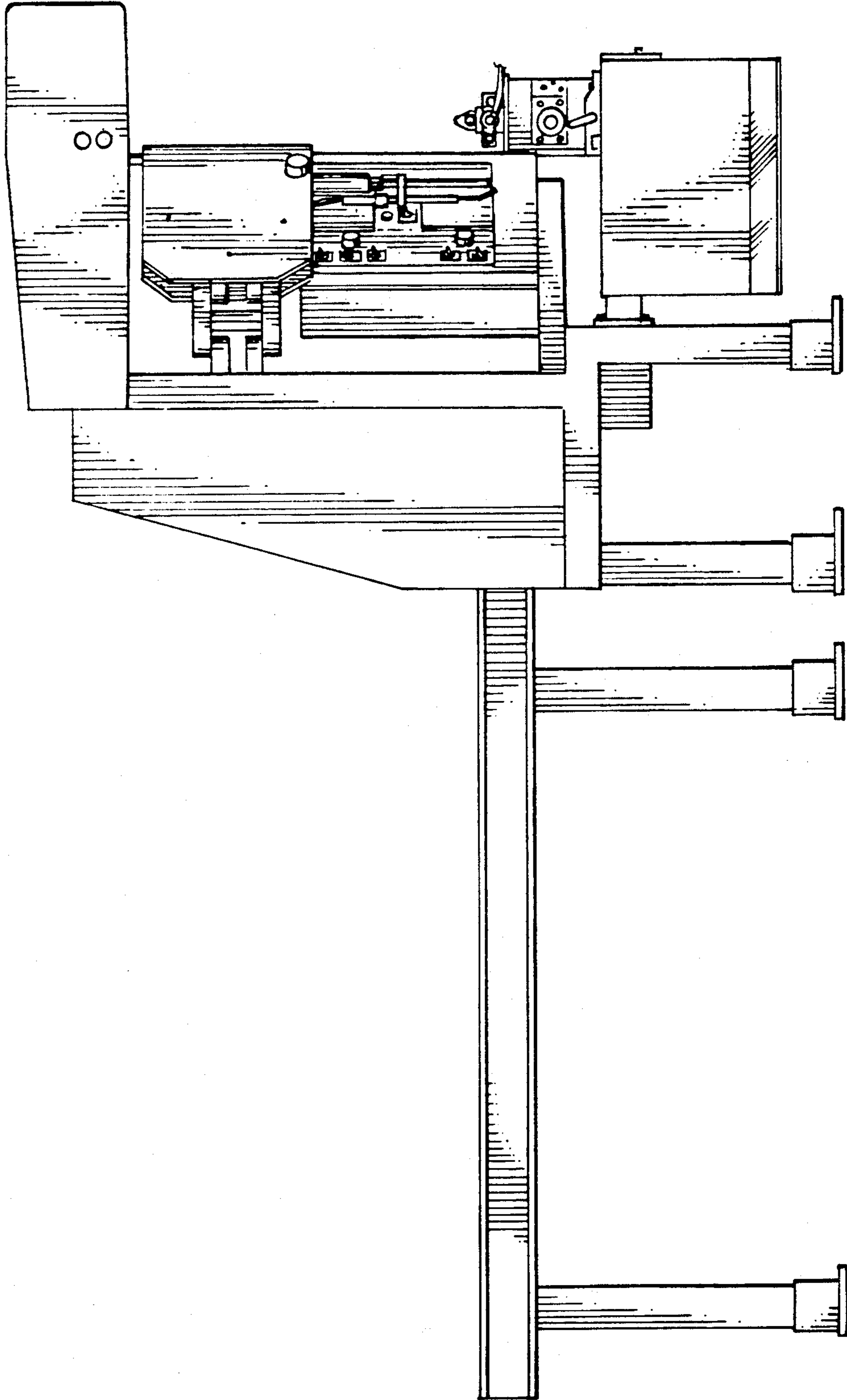


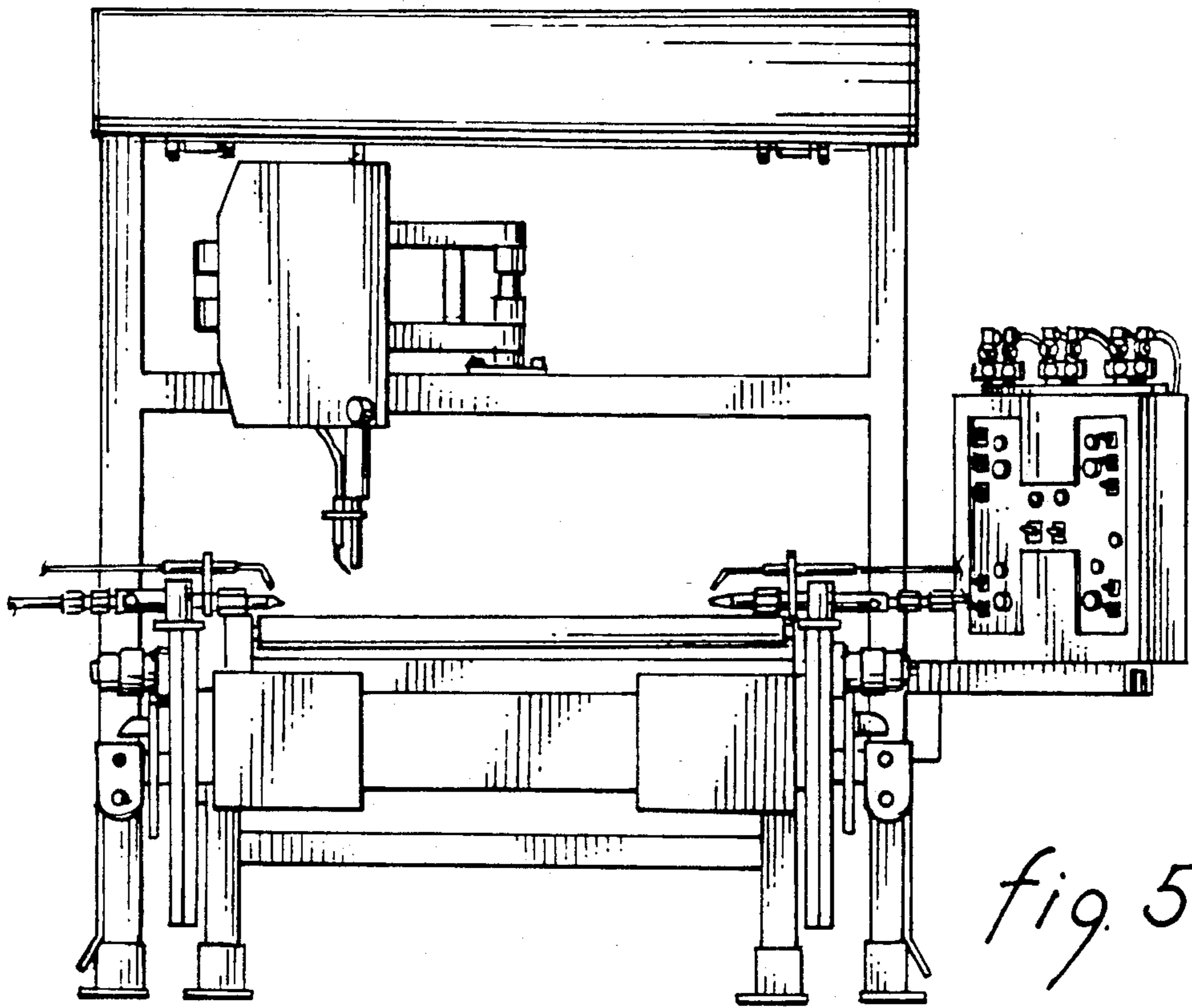
fig. 2



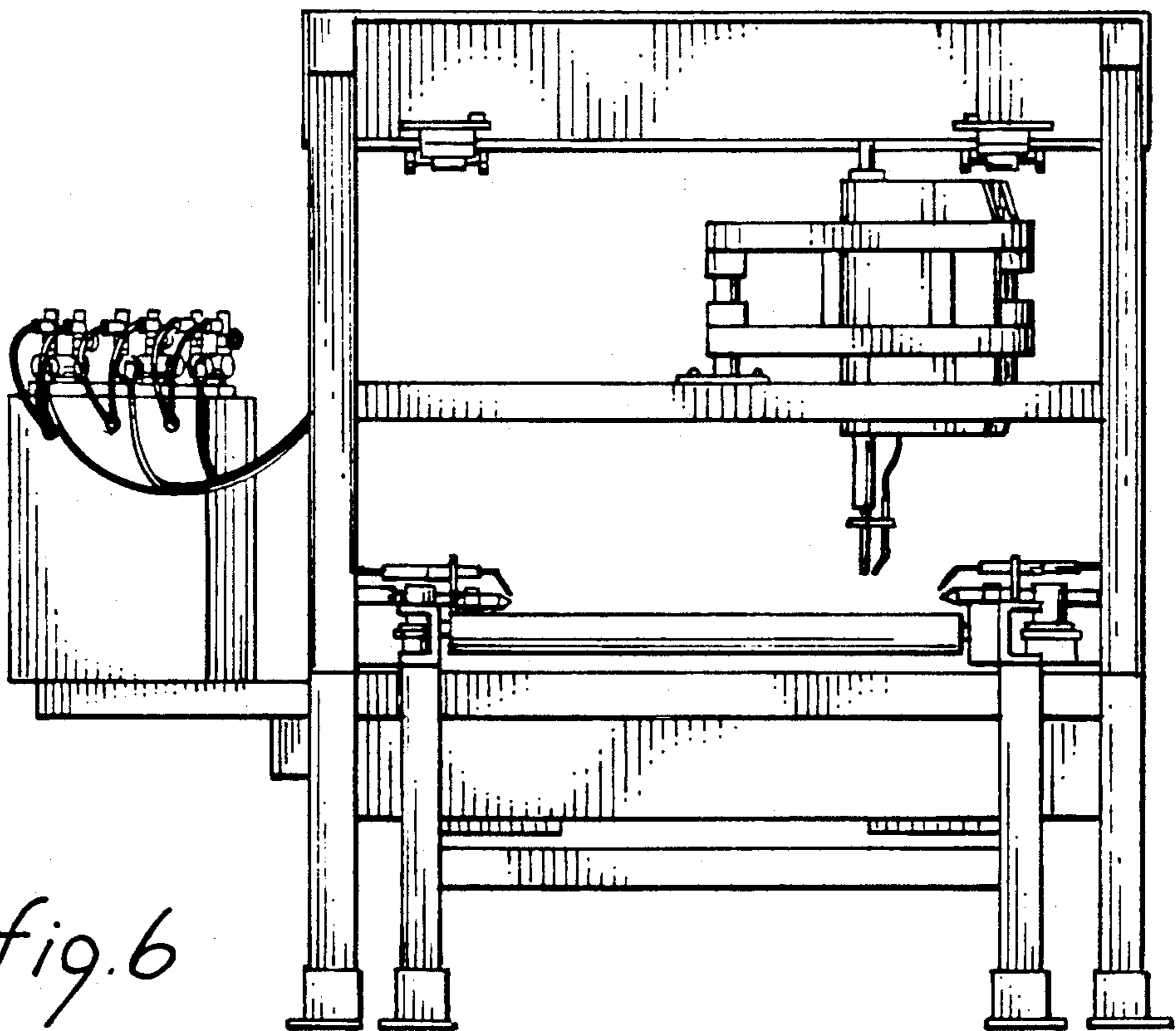
*fig. 3*



*fig. 4*



*fig. 5*



*fig. 6*