



US00D326097S

United States Patent [19]

[11] Patent Number: **Des. 326,097**

Ferrario

[45] Date of Patent: **** May 12, 1992**

[54] ANTENNA

[75] Inventor: **Giancarlo Ferrario, Saronno, Italy**

[73] Assignee: **TCI Telecommunications Italia S.r.L., Italy**

[**] Term: **14 Years**

[21] Appl. No.: **362,598**

[22] Filed: **Jun. 7, 1989**

[52] U.S. Cl. **D14/230**

[58] Field of Search **D14/230-238, D14/299; 343/702, 705, 708, 711, 713, 715, 720, 741, 744, 749, 752, 757, 766, 797, 829, 840, 846, 872, 873, 878, 882, 887, 888, 892, 900, 901, 903; D26/111, 63, 65**

[56] **References Cited**

U.S. PATENT DOCUMENTS

D. 176,550	1/1956	Magnai	D26/63
D. 223,588	5/1972	Ohwa	D26/63
D. 308,972	7/1990	Moriyama et al.	D14/235
D. 310,671	9/1990	Weiss	D14/230

OTHER PUBLICATIONS

Sync—The Synchronics Catalog, Spring 1988, p. 20, center—FM Antenna.

Primary Examiner—Theodore M. Shooman

[57] **CLAIM**

The ornamental design for an antenna, as shown and described.

DESCRIPTION

FIG. 1 is a front perspective view of an antenna showing my new design;

FIG. 2 is a front perspective view thereof, shown with the upper portion in a first alternate position;

FIG. 3 is a front perspective view thereof, shown with the upper portion in a second alternate position;

FIG. 4 is a rear and left side perspective view thereof, shown with the upper portion in the first alternate position;

FIG. 5 is a rear and left side perspective view thereof, shown with the upper portion in the second alternate position;

FIG. 6 is a top plan view thereof;

FIG. 7 is a bottom plan view thereof; and,

FIG. 8 is a rear perspective view thereof.

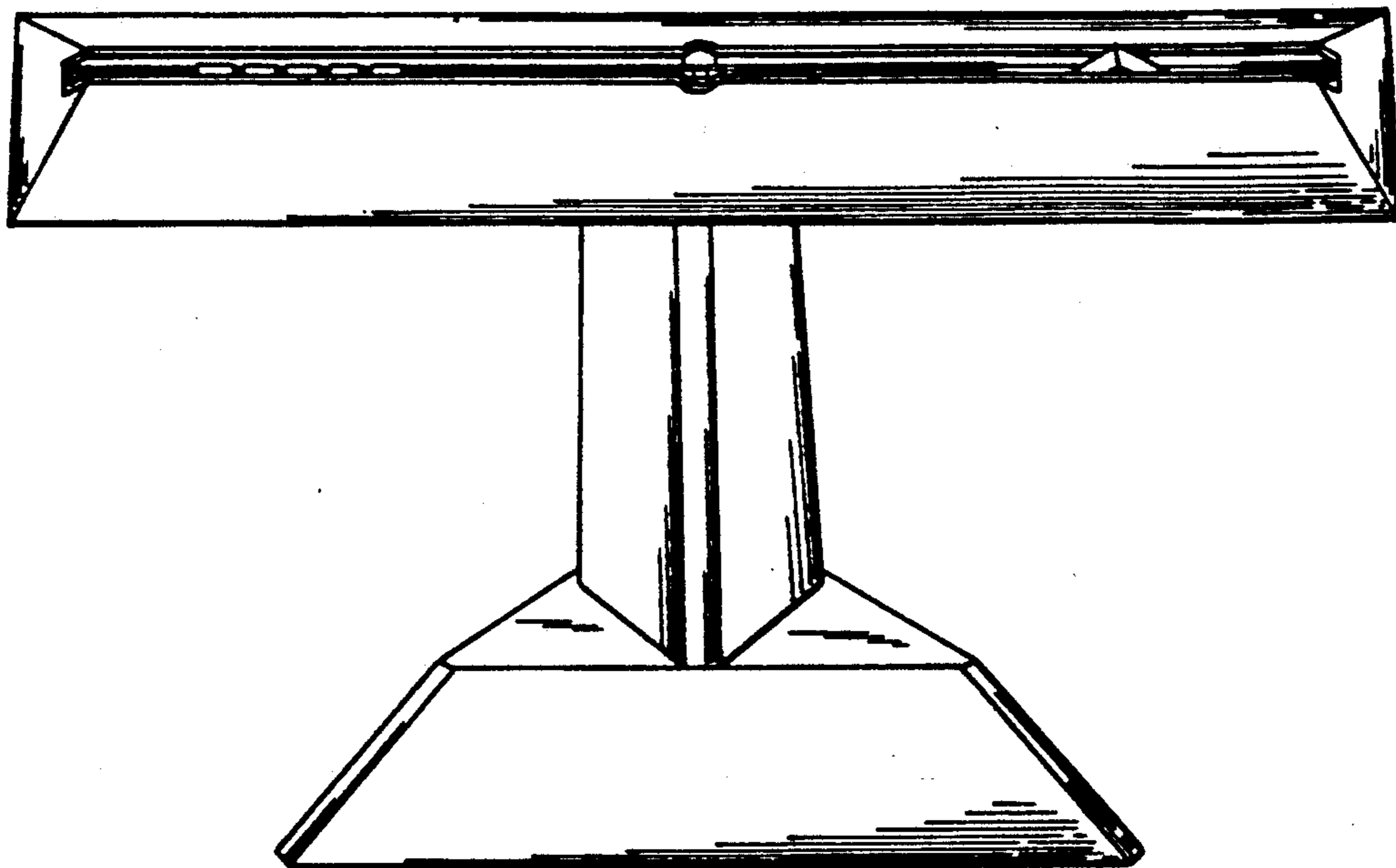


Fig. 1

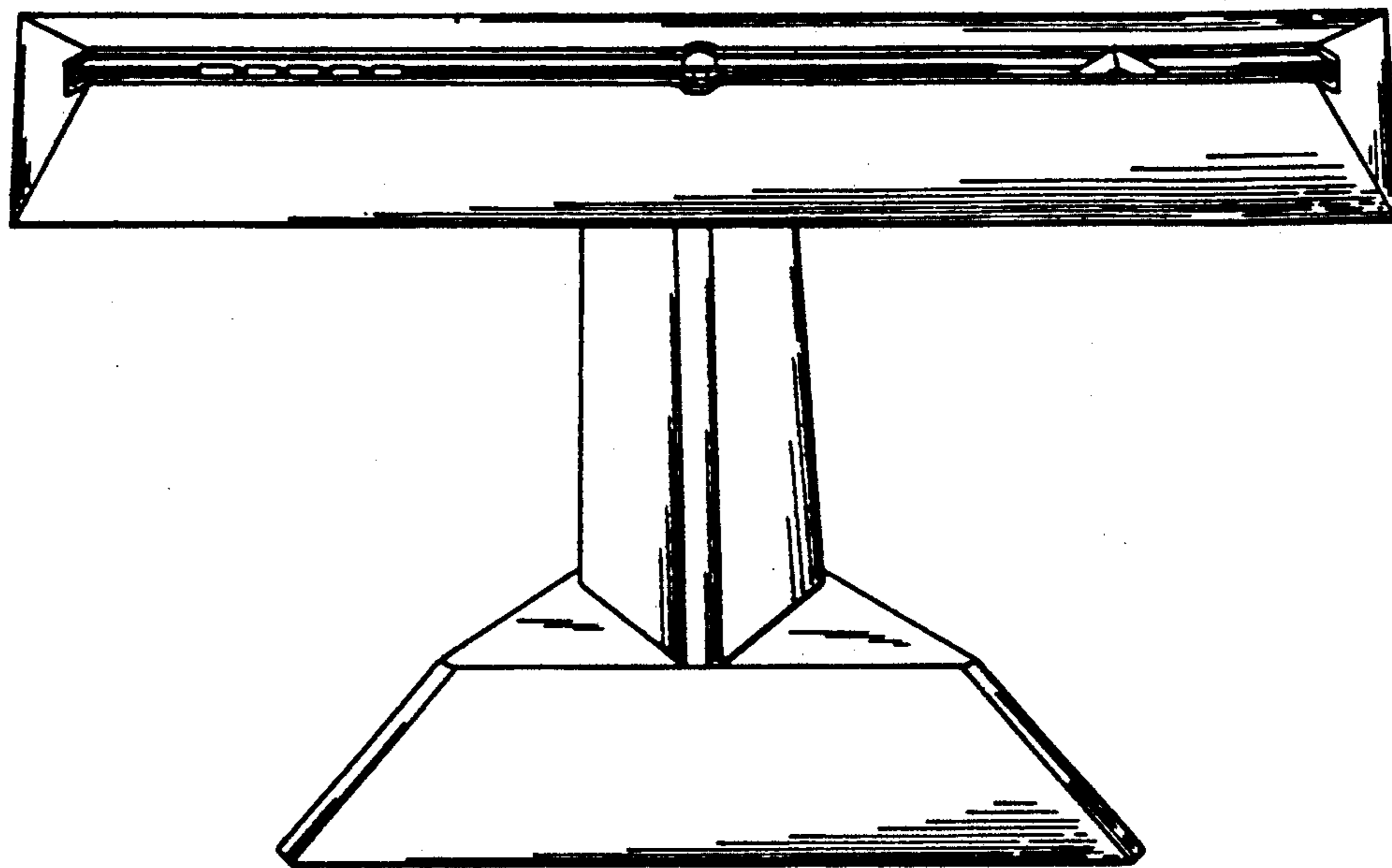
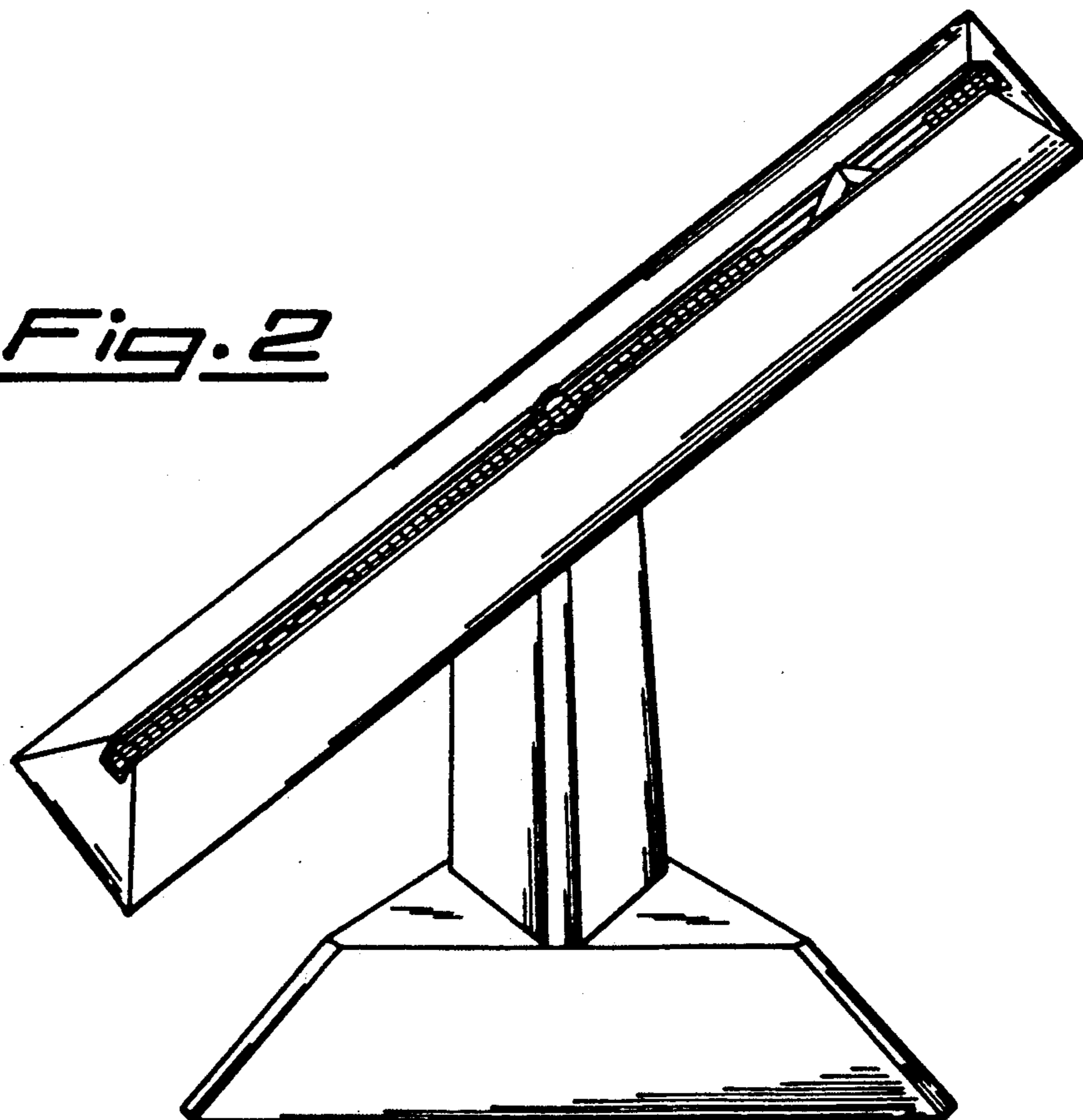


Fig. 2



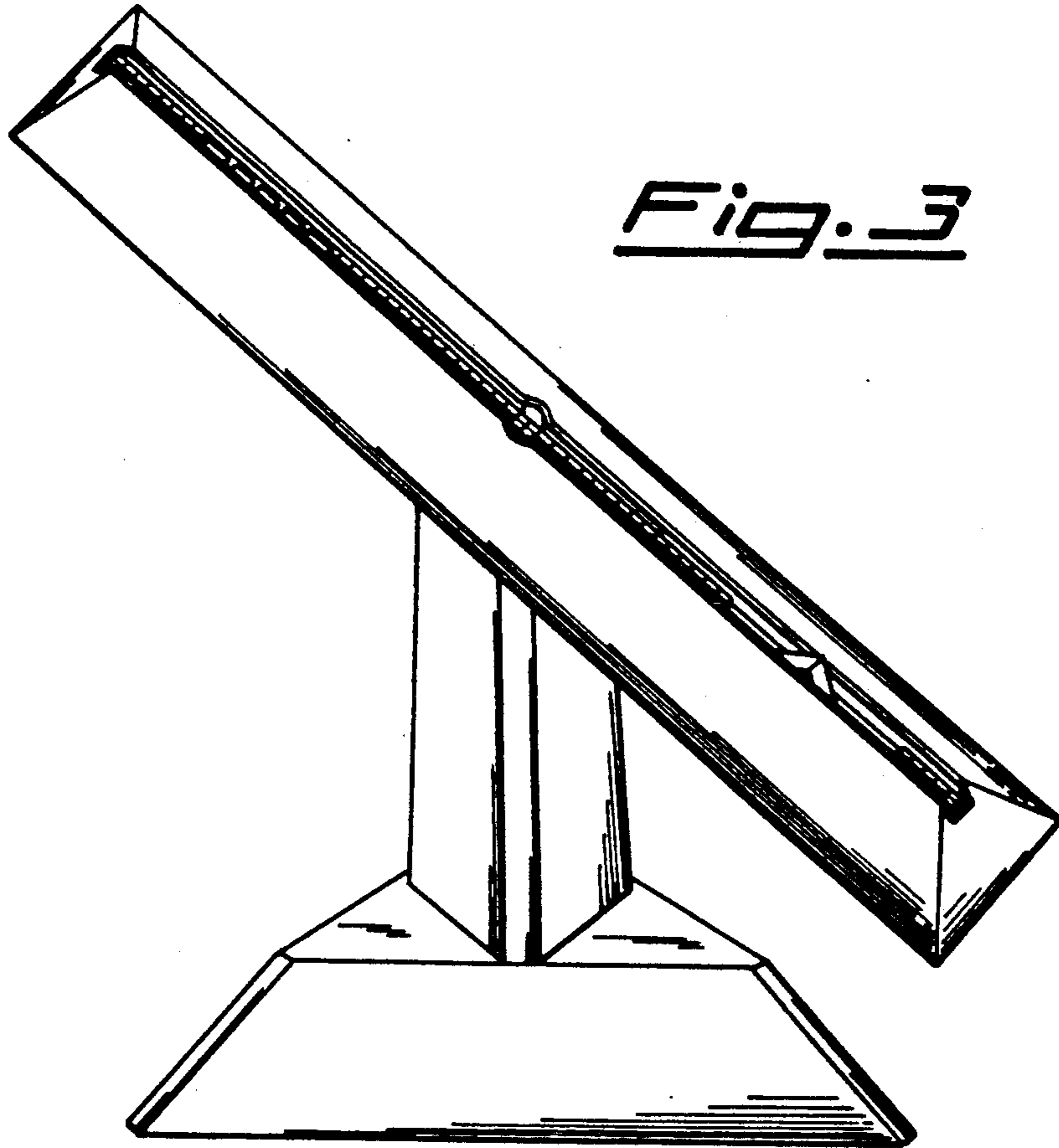


Fig. 3

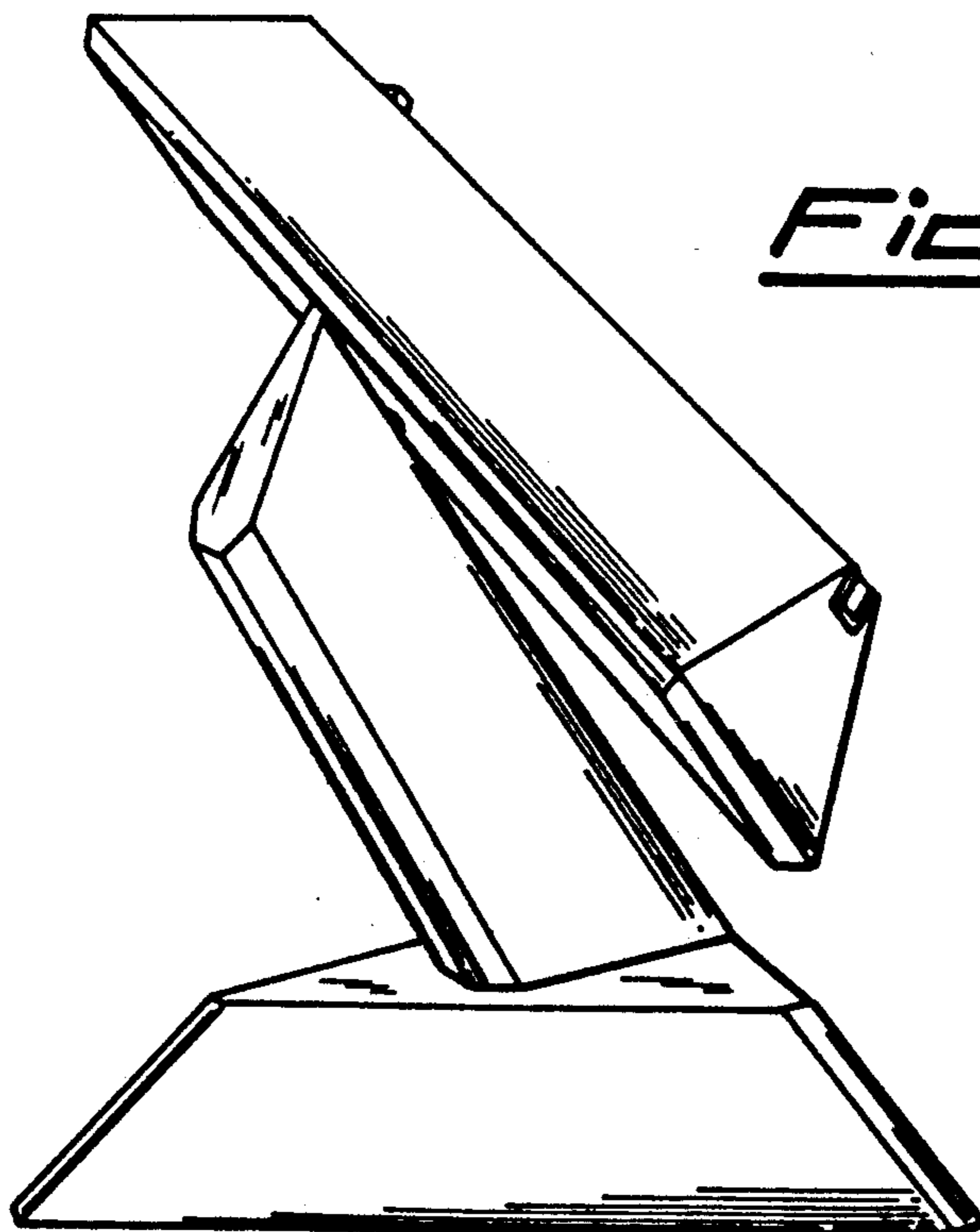


Fig. 4

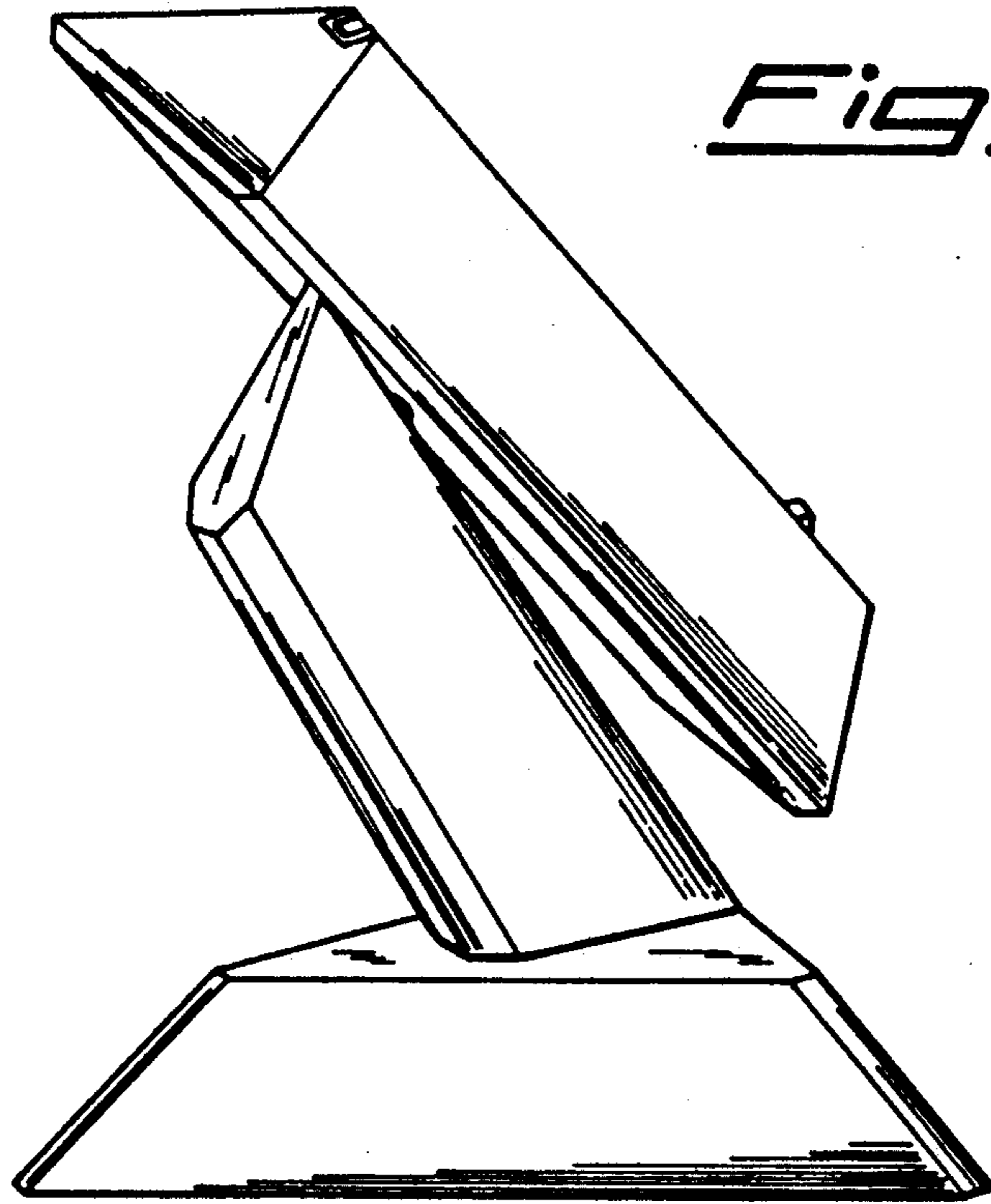


Fig. 5

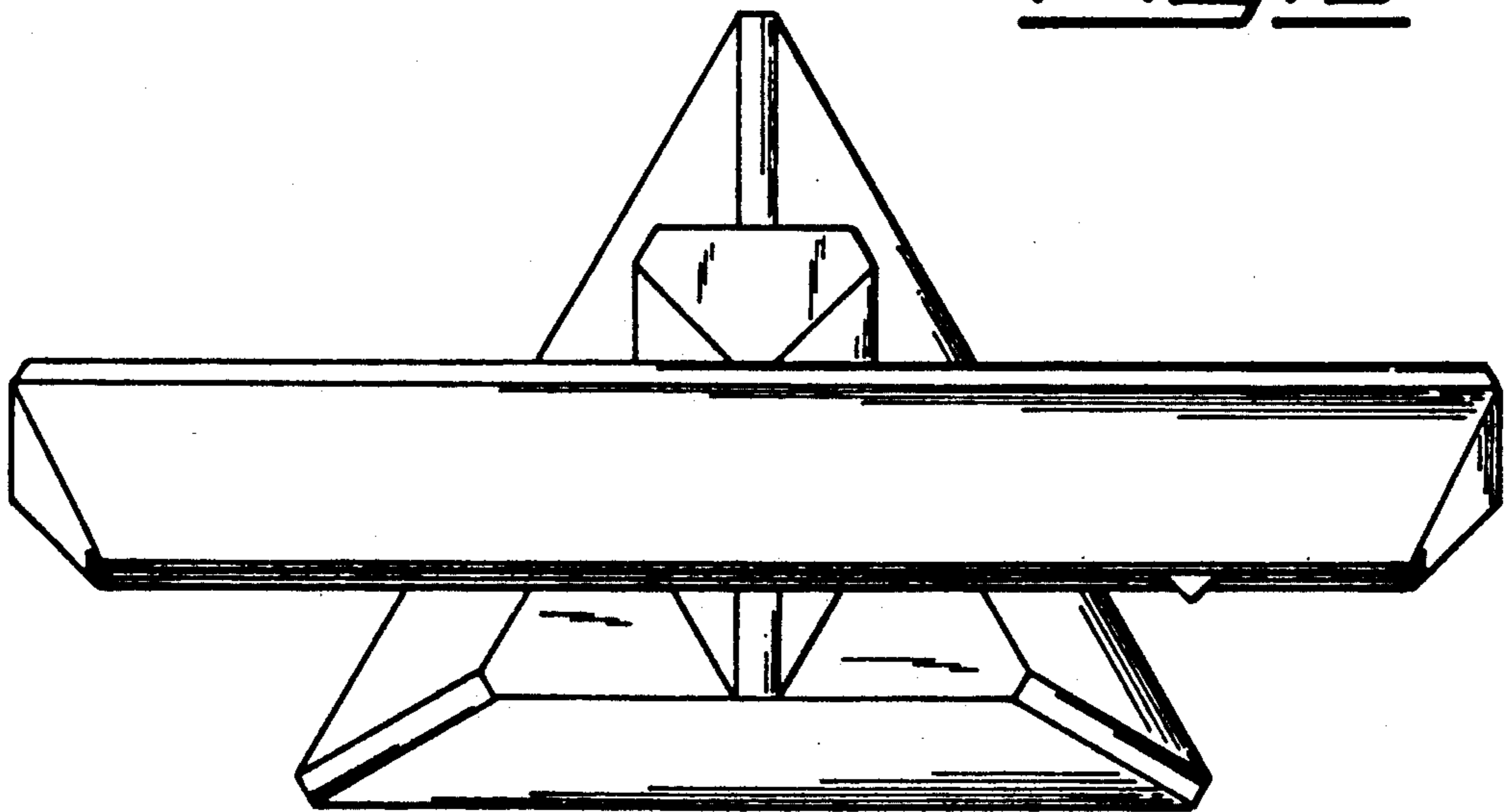


Fig. 6

Fig. 7

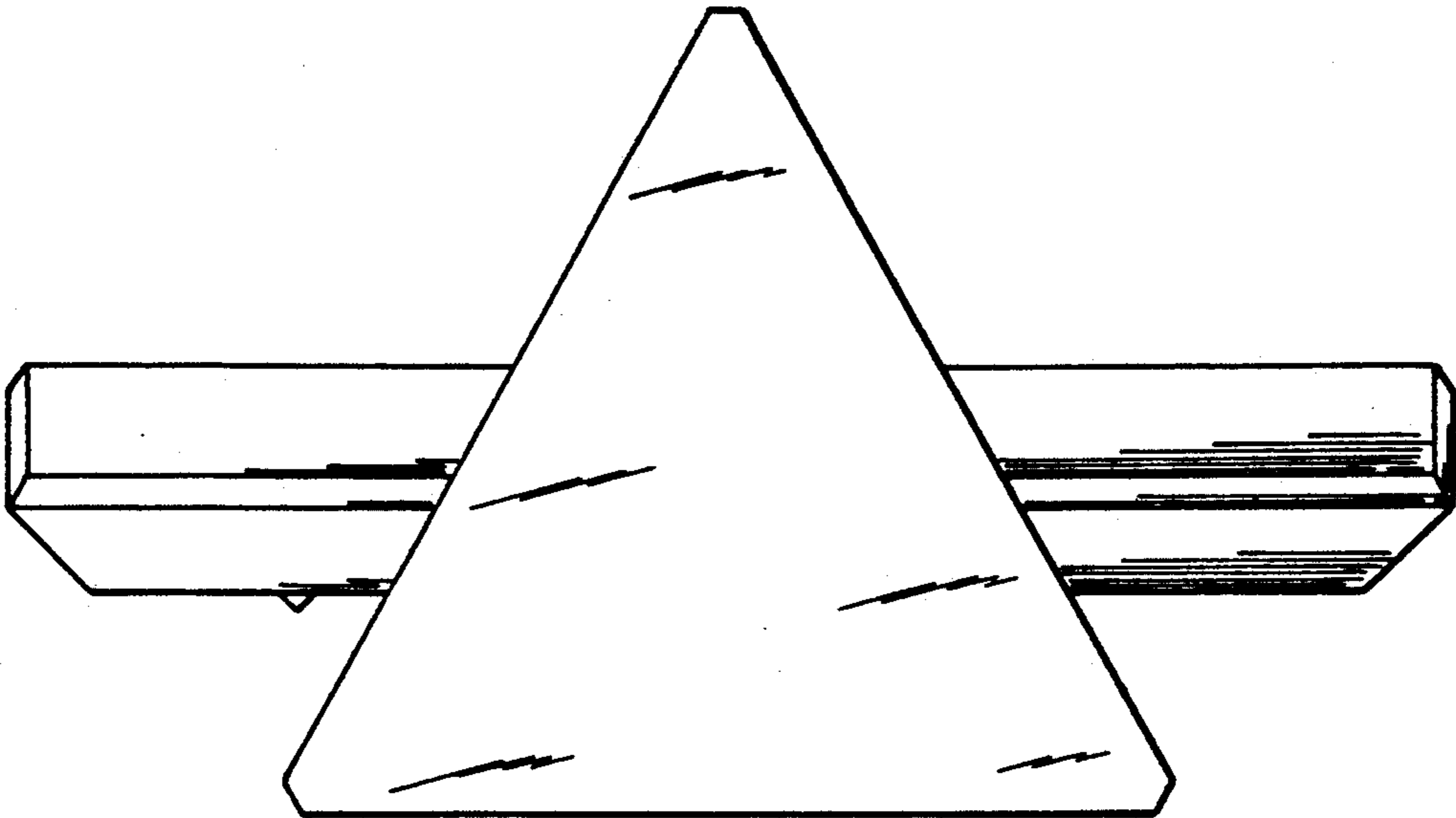
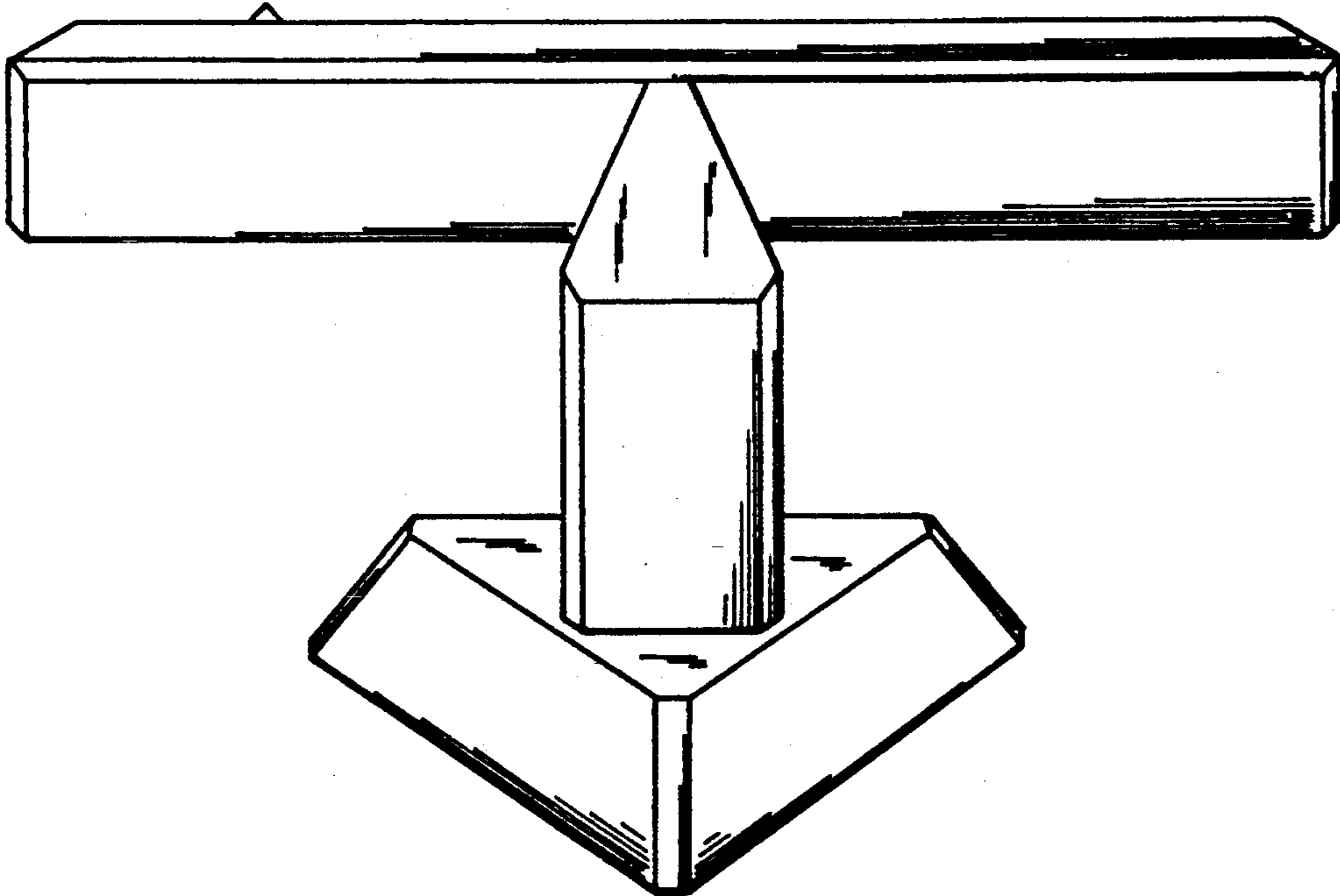


Fig. 8



UNITED STATES PATENT AND TRADEMARK OFFICE

CERTIFICATE OF CORRECTION

PATENT NO. : Des. 326,097
DATED : May 12, 1992
INVENTOR(S) : Giancarlo Ferrario

It is certified that error appears in the above-identified patent and that said Letters Patent is hereby corrected as shown below:

On the title page: Item[73]

[73] Assignee: **TCI Telecomunicazioni Italia S.r.L.**
Italy

Signed and Sealed this
Third Day of August, 1993

Attest:



MICHAEL K. KIRK

Attesting Officer

Acting Commissioner of Patents and Trademarks