



US00D326083S

# United States Patent [19]

[11] Patent Number: **Des. 326,083**

Miyamoto et al.

[45] Date of Patent: **\*\* May 12, 1992**

[54] **ELECTRIC MOTOR FOR DRIVING A CURTAIN**

4,775,039 10/1988 Sunakawa ..... 160/331 X  
4,819,708 4/1989 Onosato et al. .... 160/331  
4,926,922 5/1990 Shimazaki ..... 160/331

[75] Inventors: **Kazuyuki Miyamoto; Ryoza Hioki; Hoji Tanaka**, all of Okazaki, Japan

*Primary Examiner*—Susan J. Lucas  
*Assistant Examiner*—M. H. Tung  
*Attorney, Agent, or Firm*—Armstrong, Nikaido, Marmelstein, Kubovcik & Murray

[73] Assignee: **Kabushiki Kaisha Makitadenkiseisakusho**, Aichi, Japan

[\*\*] Term: **14 Years**

[57] **CLAIM**

[21] Appl. No.: **454,862**

The ornamental design for electric motor for driving a curtain, as shown and described.

[22] Filed: **Dec. 20, 1989**

**DESCRIPTION**

[30] **Foreign Application Priority Data**

Oct. 31, 1989 [JP] Japan ..... 1-40034

[52] U.S. Cl. .... **D13/112**

[58] Field of Search ..... D13/112; 160/1, 6-9, 160/330-331, 343, 349.1, 349.2

FIG. 1 is a top perspective view of an electric motor for driving a curtain showing my new design; FIG. 2 is a front elevational view thereof; FIG. 3 is a rear elevational view thereof; FIG. 4 is a right side elevational view thereof; FIG. 5 is a left side elevational view thereof; FIG. 6 is a top plan view thereof; FIG. 7 is a bottom plan view thereof; and, FIG. 8 is a cross-sectional view thereof.

[56] **References Cited**

**U.S. PATENT DOCUMENTS**

4,610,294 9/1986 Anesi et al. .... 160/331

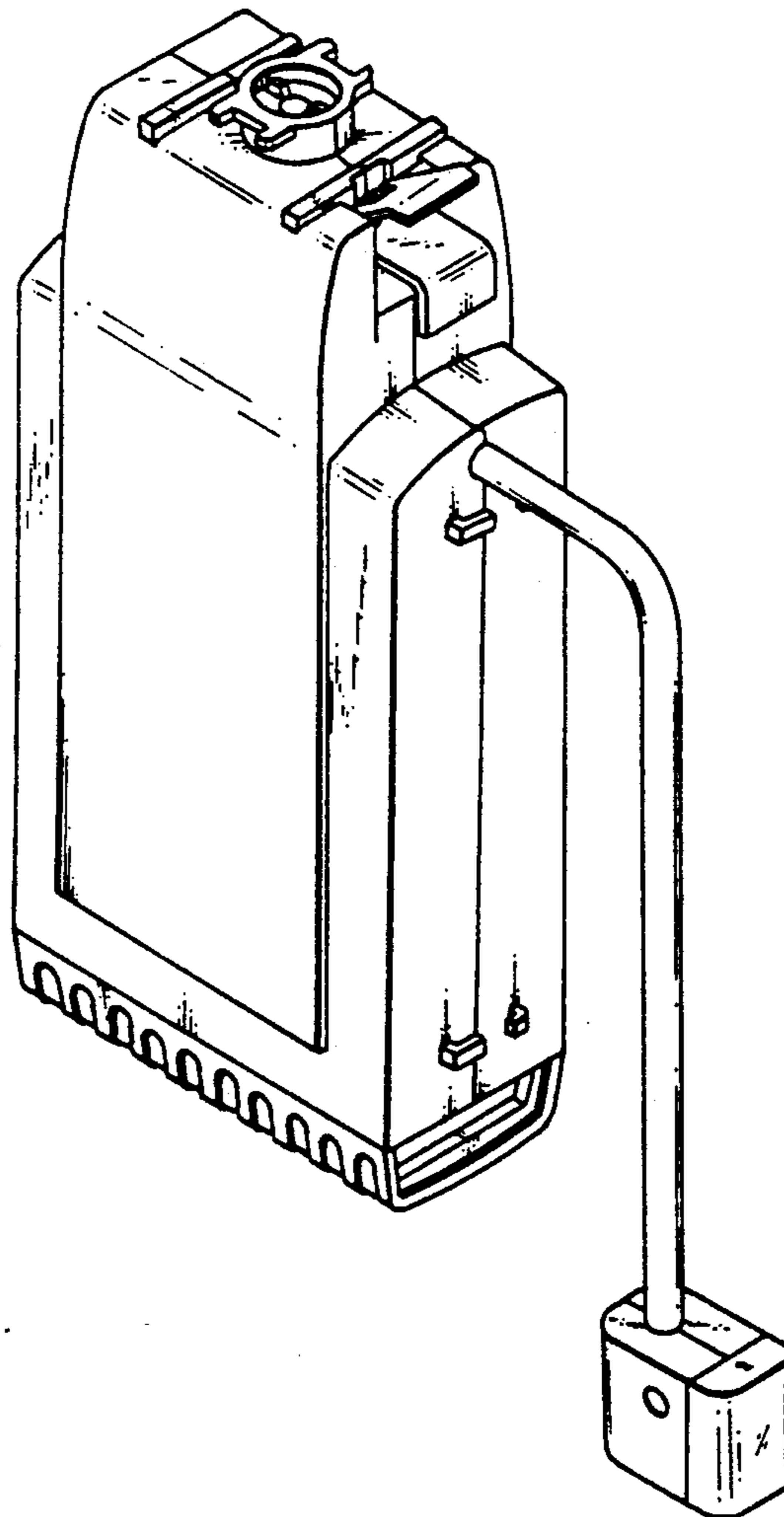


Fig. 1

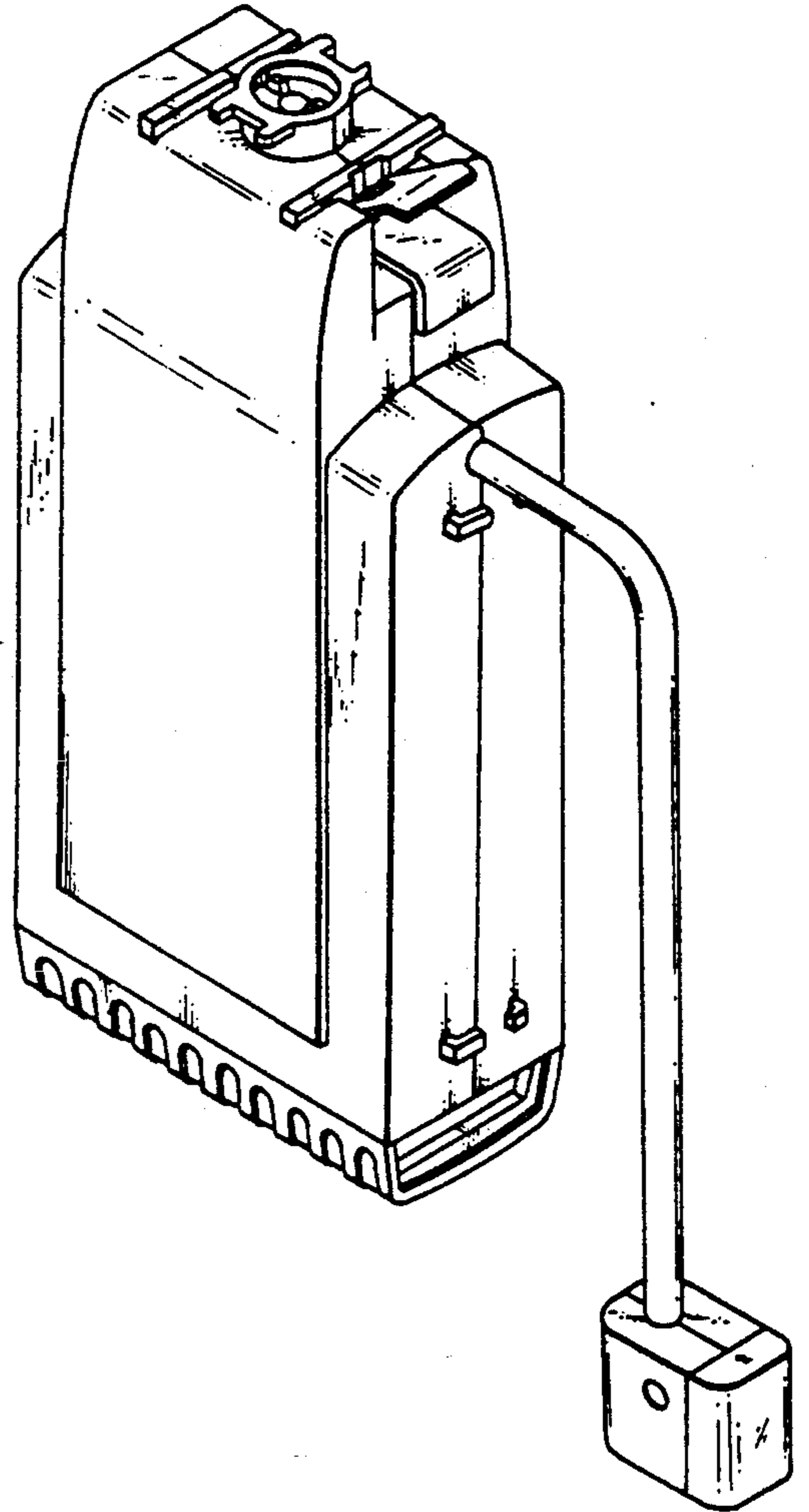


Fig. 8

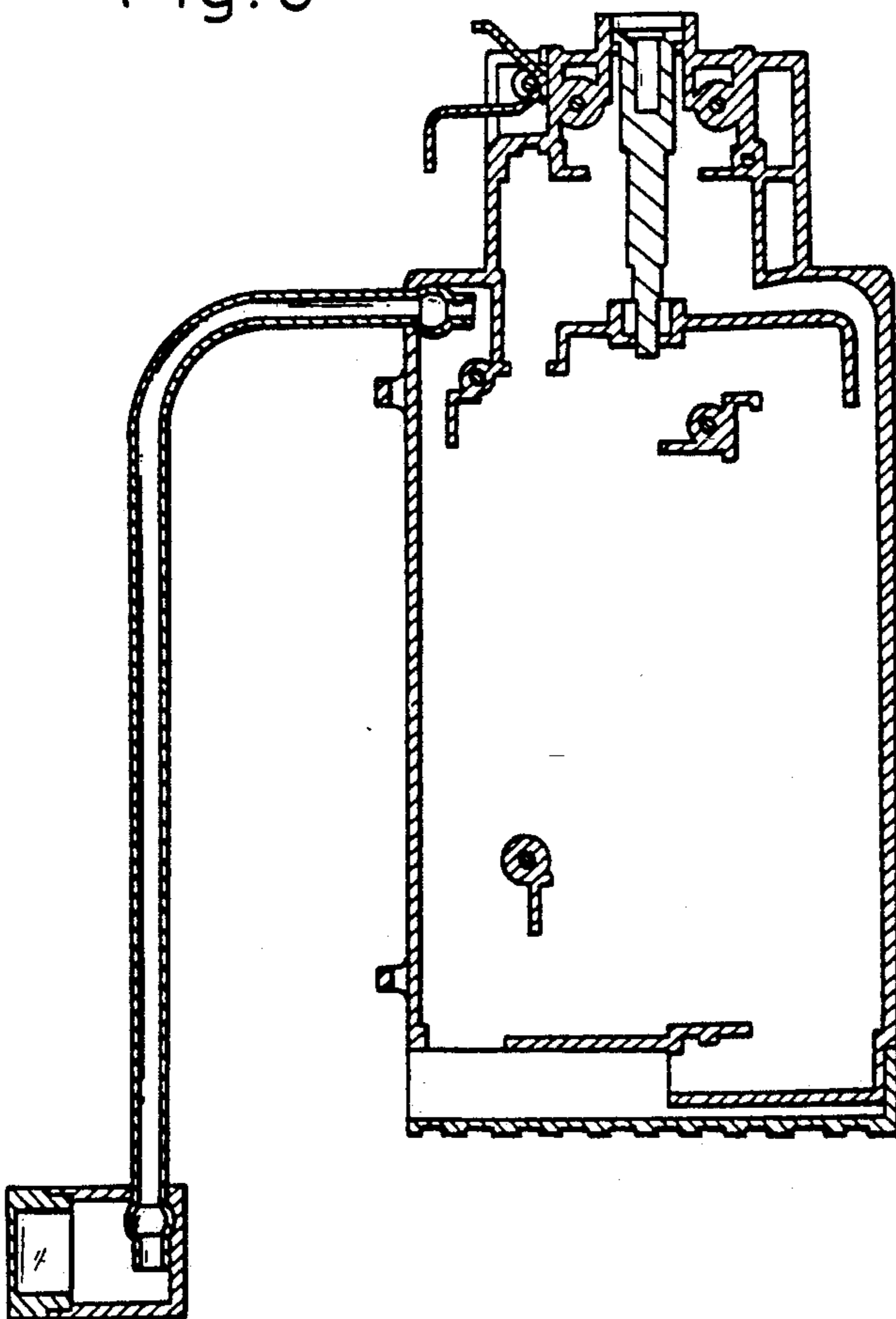


Fig. 2

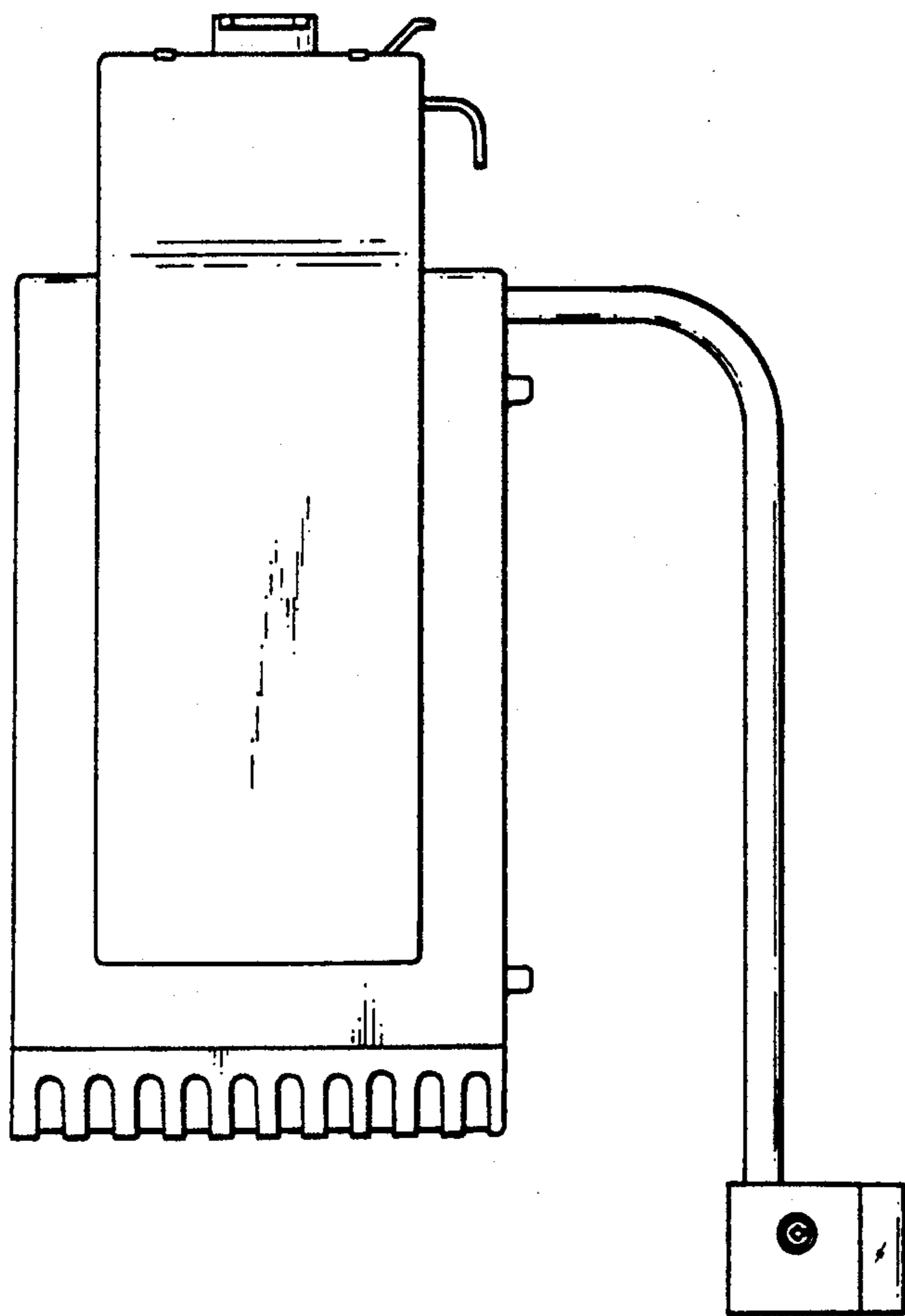


Fig. 4

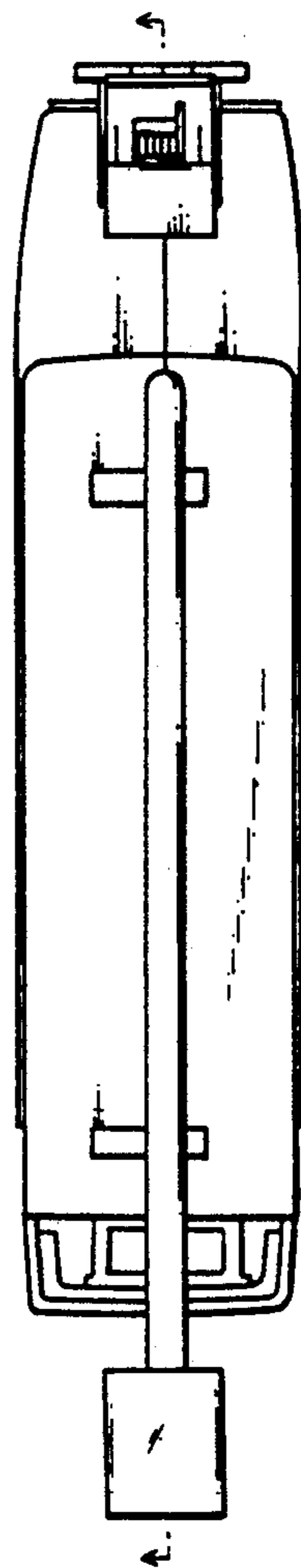


Fig. 6

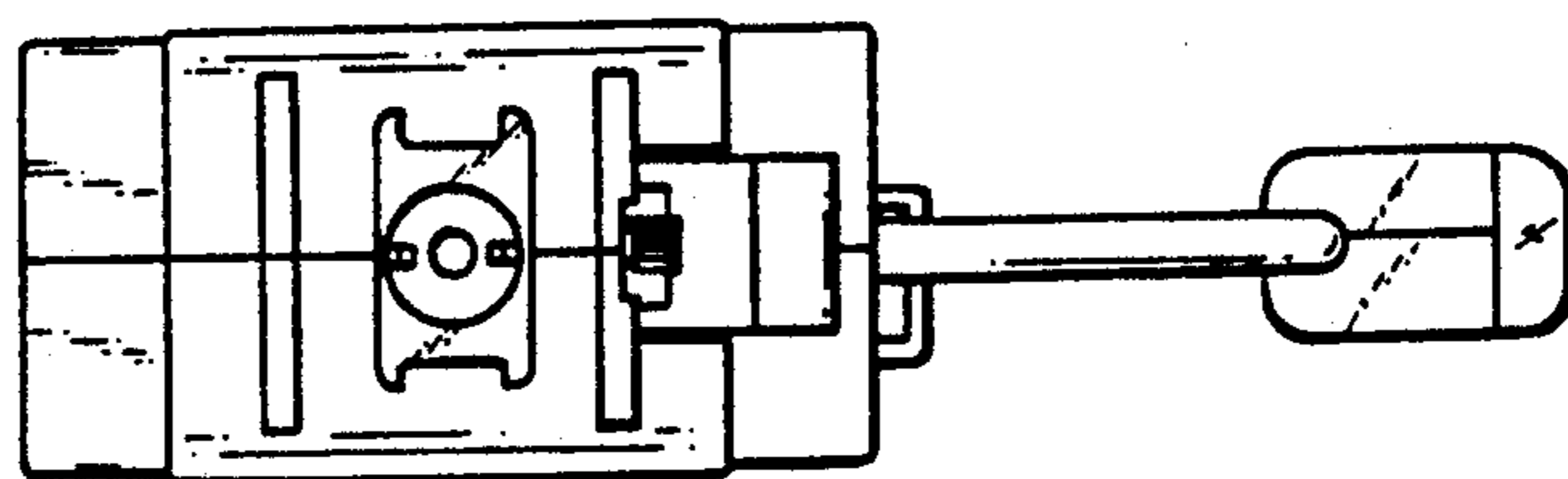
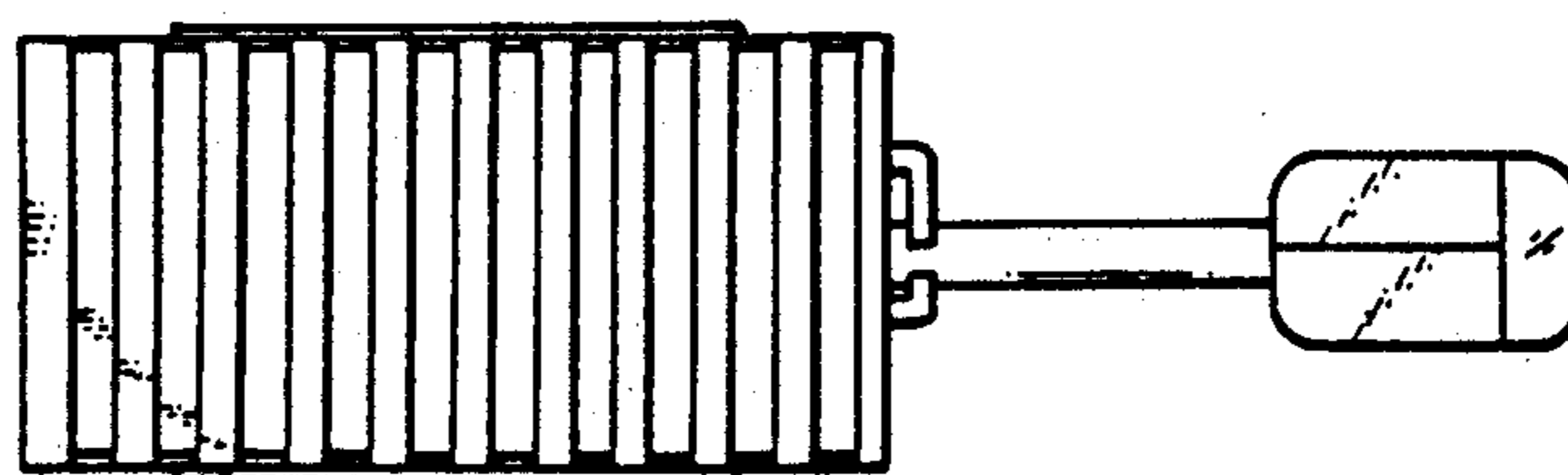
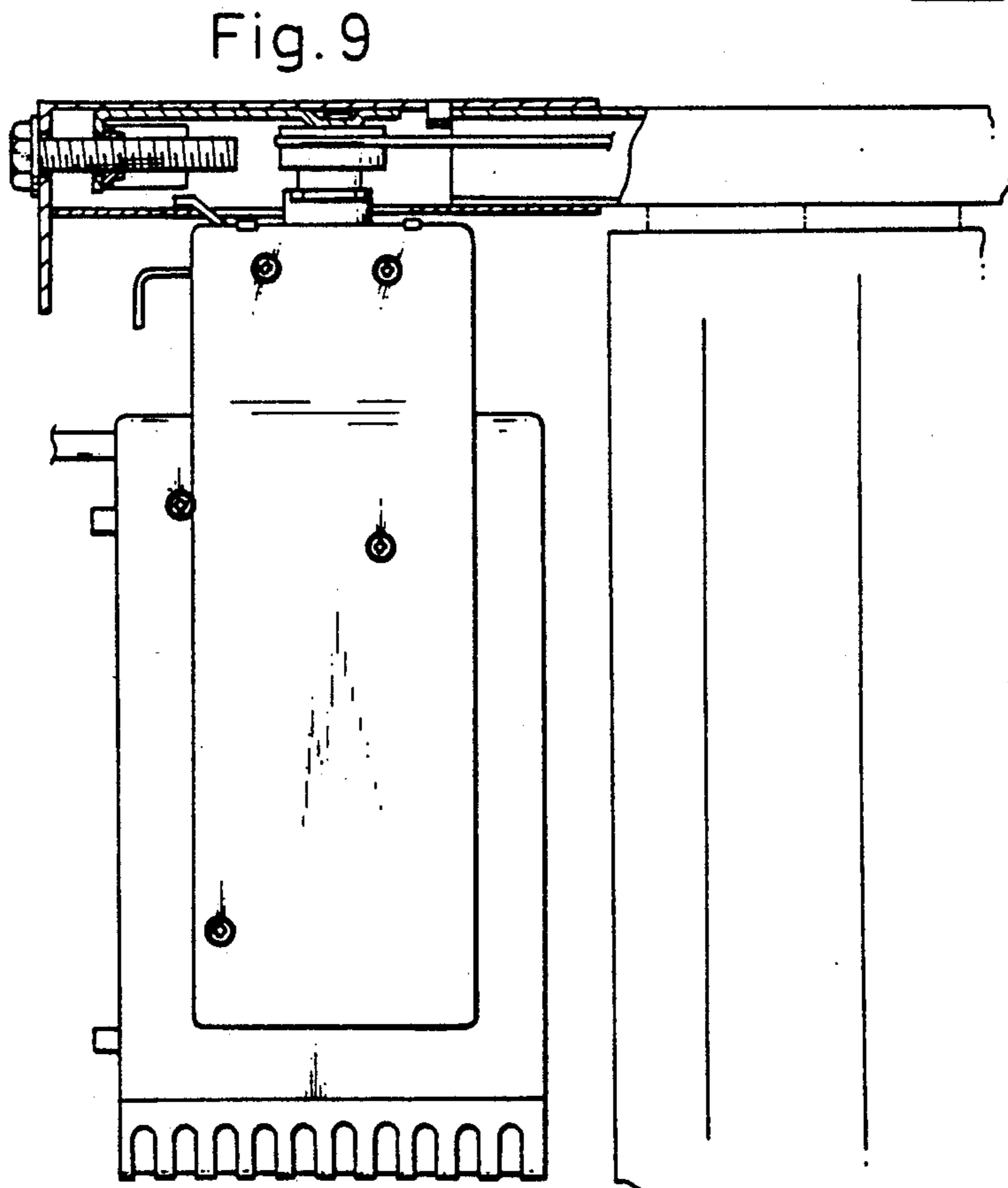
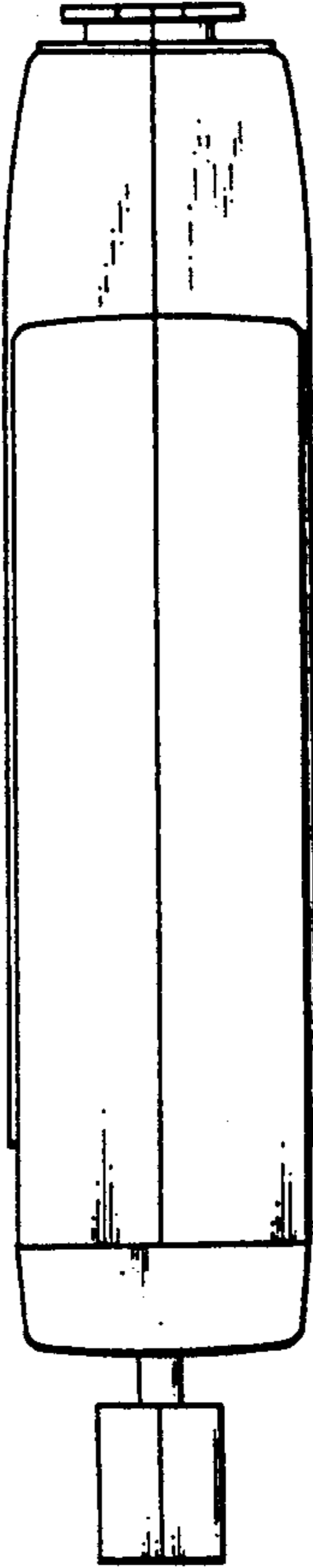
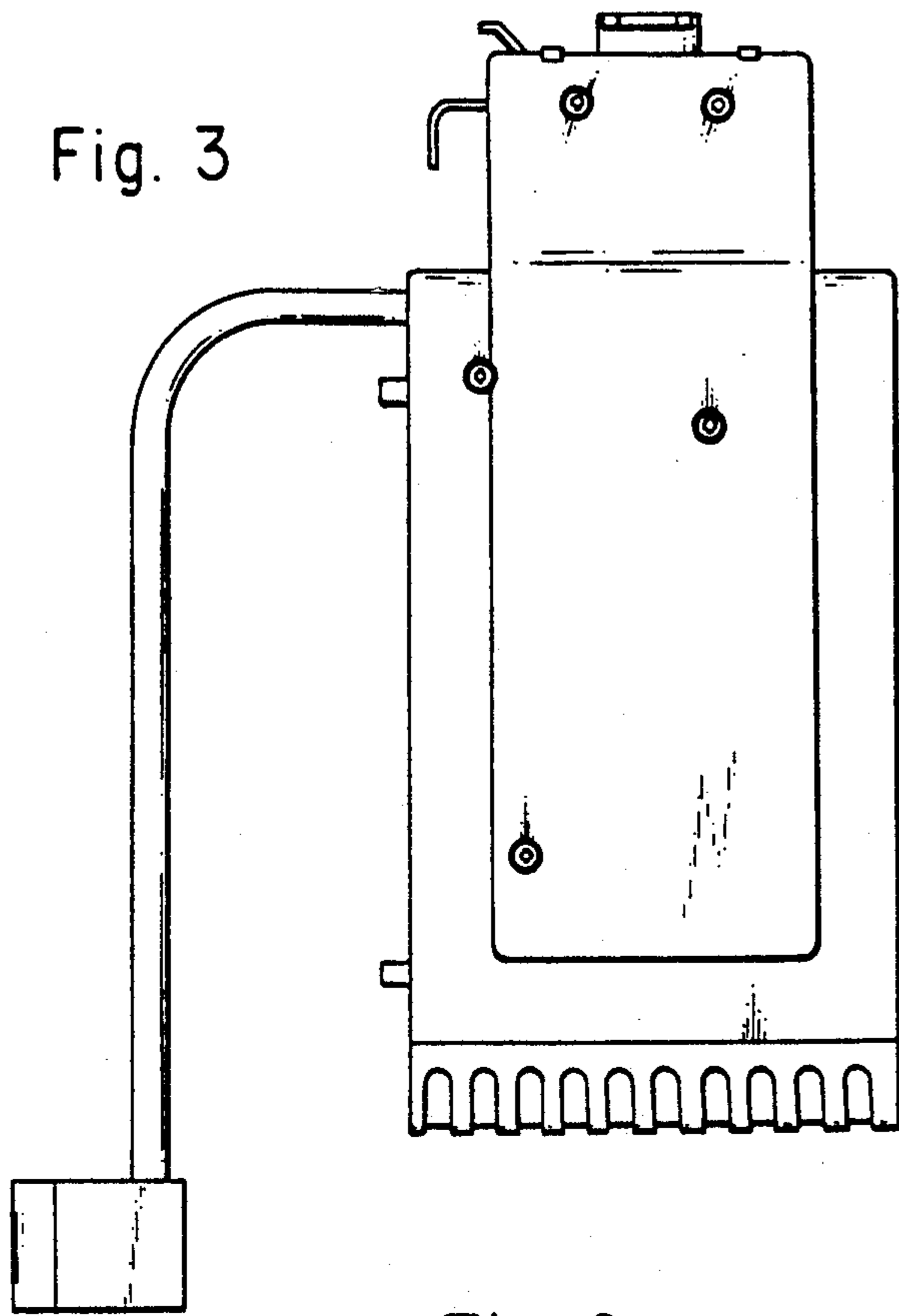


Fig. 7





UNITED STATES PATENT AND TRADEMARK OFFICE  
CERTIFICATE OF CORRECTION

PATENT NO. : Des. 326,083  
DATED : May 12, 1992  
INVENTOR(S) : Kazuyuki MIYAMOTO et al

It is certified that error appears in the above-identified patent and that said Letters Patent is hereby corrected as shown below:

On the Title page, Item [75], second line, "Hoji Tanaka" should read -- Koji Tanaka --.

Signed and Sealed this  
Nineteenth Day of October, 1993

Attest:



BRUCE LEHMAN

Attesting Officer

Commissioner of Patents and Trademarks