



US00D326072S

# United States Patent [19]

[11] Patent Number: Des. 326,072

Maxwell et al.

[45] Date of Patent: \*\* May 12, 1992

## [54] TIRE TREAD AND BUTTRESS

[75] Inventors: Paul B. Maxwell, Akron; Philip S. Hammond, Mogadore; Darrell E. Covert, Uniontown, all of Ohio

[73] Assignee: The Goodyear Tire & Rubber Company, Akron, Ohio

[\*] Notice: The portion of the term of this patent subsequent to Sep. 25, 2004 has been disclaimed.

[\*\*] Term: 14 Years

[21] Appl. No.: 429,248

[22] Filed: Oct. 30, 1989

[52] U.S. Cl. .... D12/147

[58] Field of Search ..... D12/141-143, D12/145-151; 152/209 R, 209 A, 209 B, 209 D

### [56] References Cited

#### U.S. PATENT DOCUMENTS

- D. 310.804 9/1990 Covert et al. .... D12/147
- D. 312.062 11/1990 Covert et al. .... D12/147

#### FOREIGN PATENT DOCUMENTS

- 52507 2/1989 Japan ..... 152/209 A

Primary Examiner—James M. Gandy

Attorney, Agent, or Firm—T. P. Lewandowski; L. R. Drayer

### [57] CLAIM

The ornamental design for a tire tread and buttress, as shown and described.

### DESCRIPTION

FIG. 1 is a perspective view of a tire tread and buttress showing our new design, it being understood that the pattern is repeated uniformly throughout the circumference of the tread and buttress as shown schematically by solid lines;

FIG. 2 is a front elevational view thereof;

FIG. 3 is a fragmentary elevation view of one side thereof;

FIG. 4 is a fragmentary elevation view of the opposite side thereof;

FIG. 5 is a front elevation view of a tire tread and buttress showing a second embodiment of our new design which is a mirror of the tire tread and buttress shown in FIG. 1, it being understood that the pattern is repeated uniformly throughout the circumference of the tread and buttress as shown schematically by solid lines;

FIG. 6 is a fragmentary elevation view of one side of FIG. 5; and,

FIG. 7 is a fragmentary elevation view of the opposite side of FIG. 5.

The broken line showing of environmental structure in FIGS. 1, 3, 4, 6 and 7 of the drawings is for illustrative purposes only and forms no part of the claimed design.

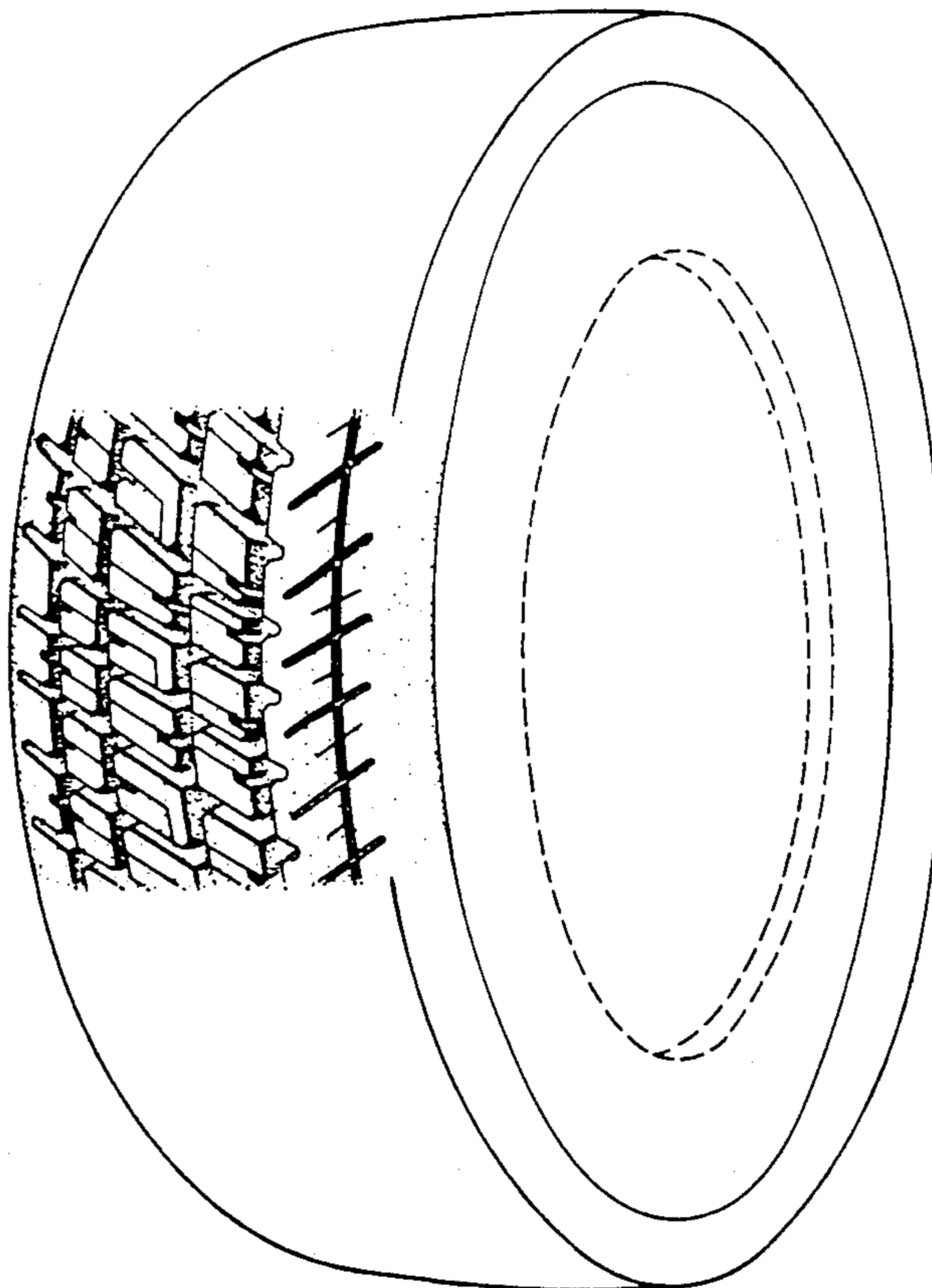


FIG. 1

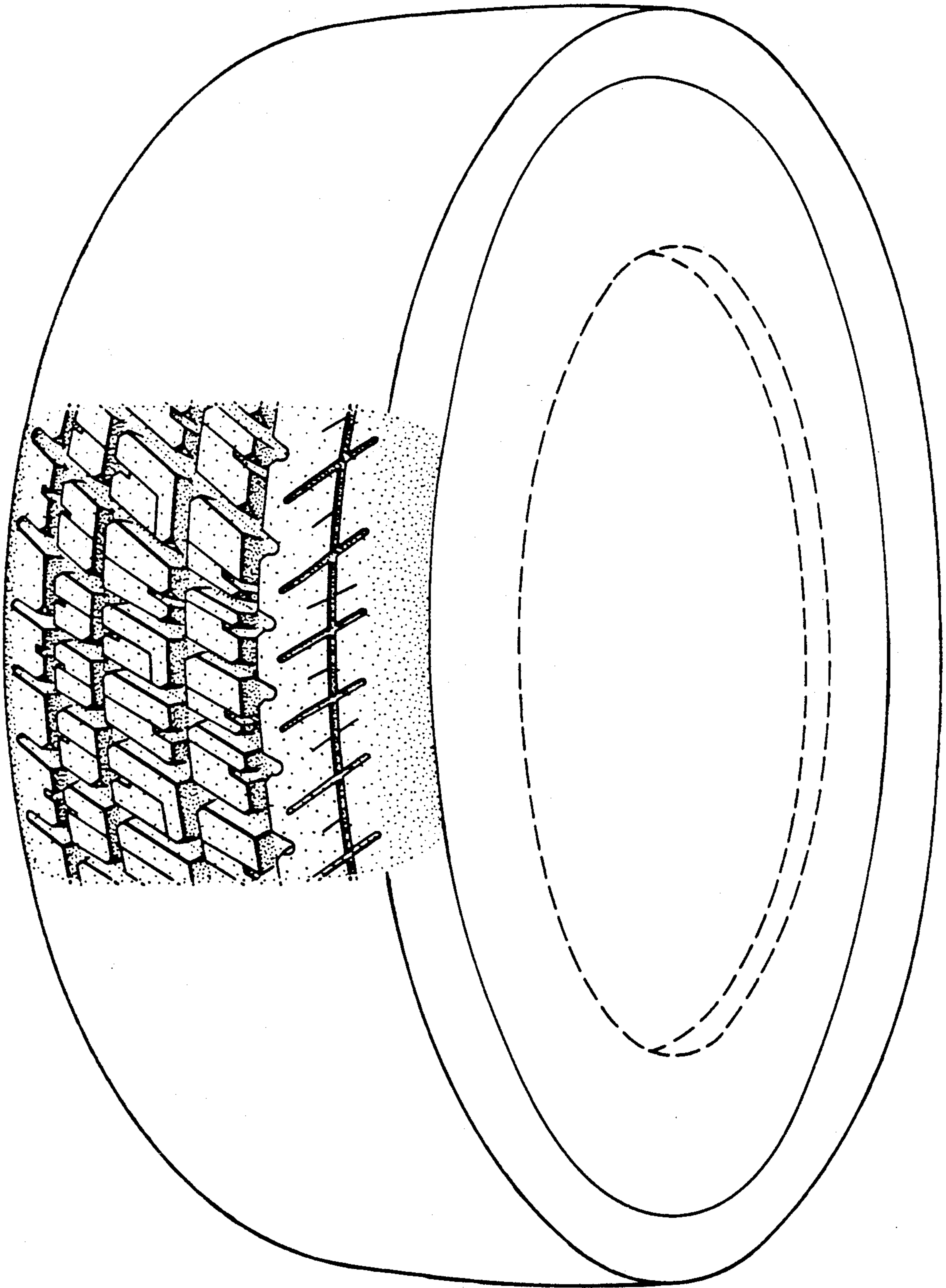


FIG. 2

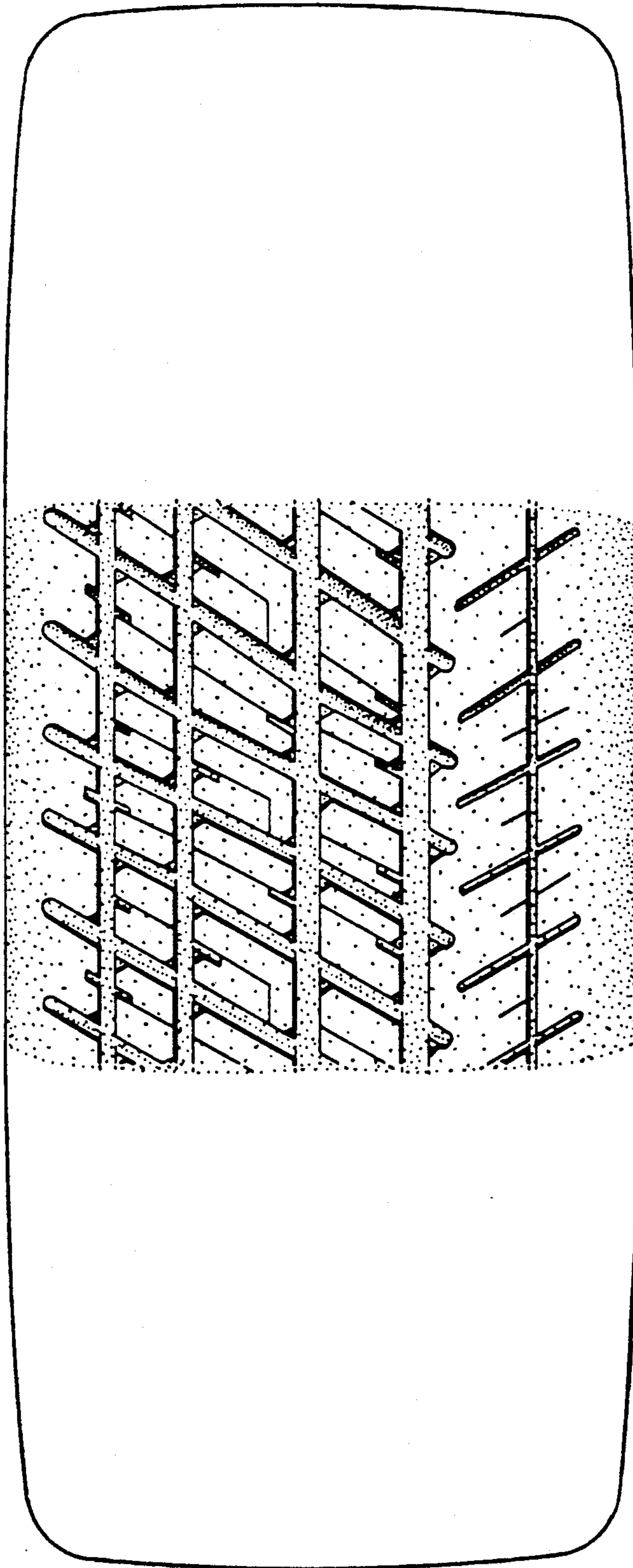


FIG. 3

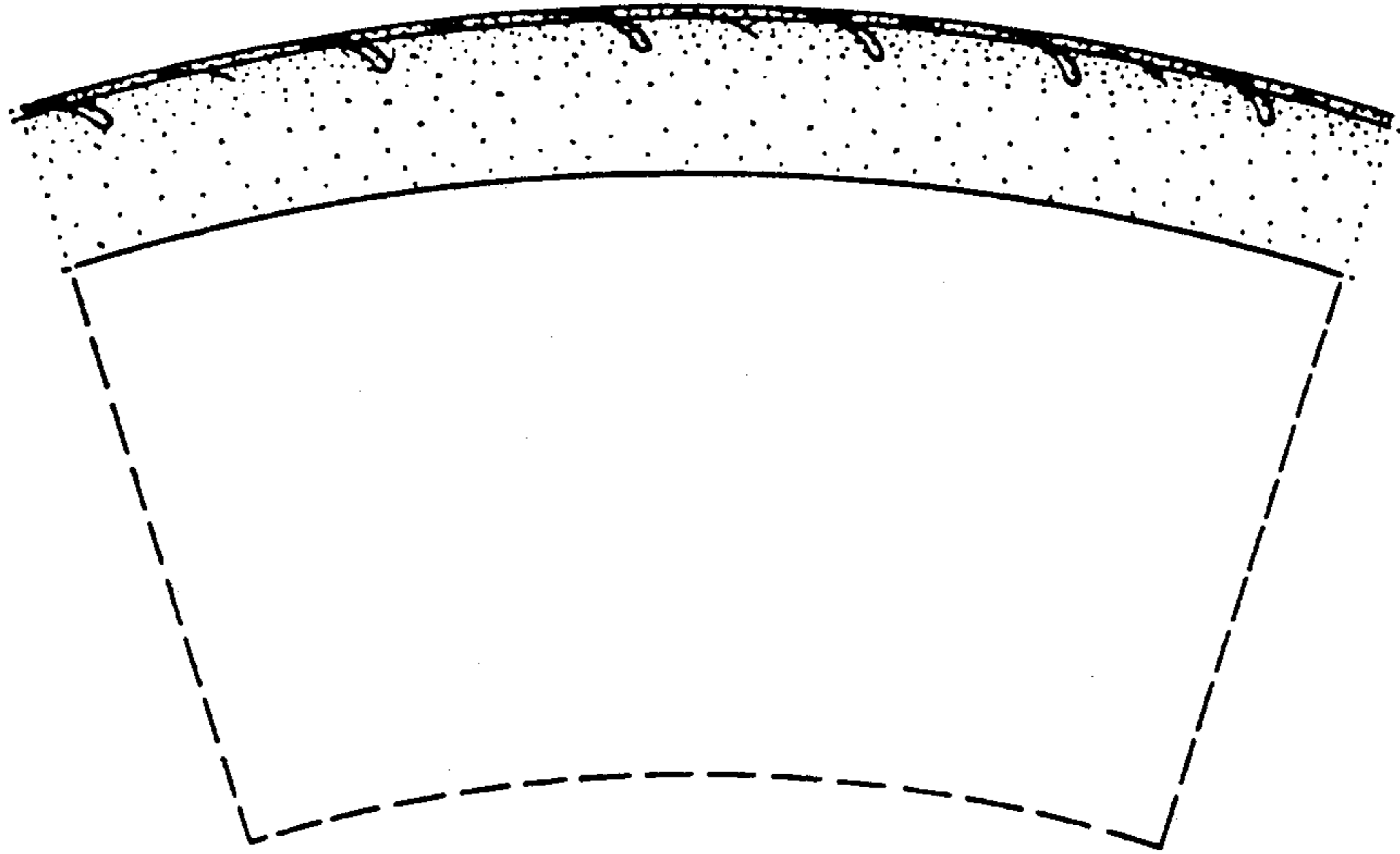


FIG. 4

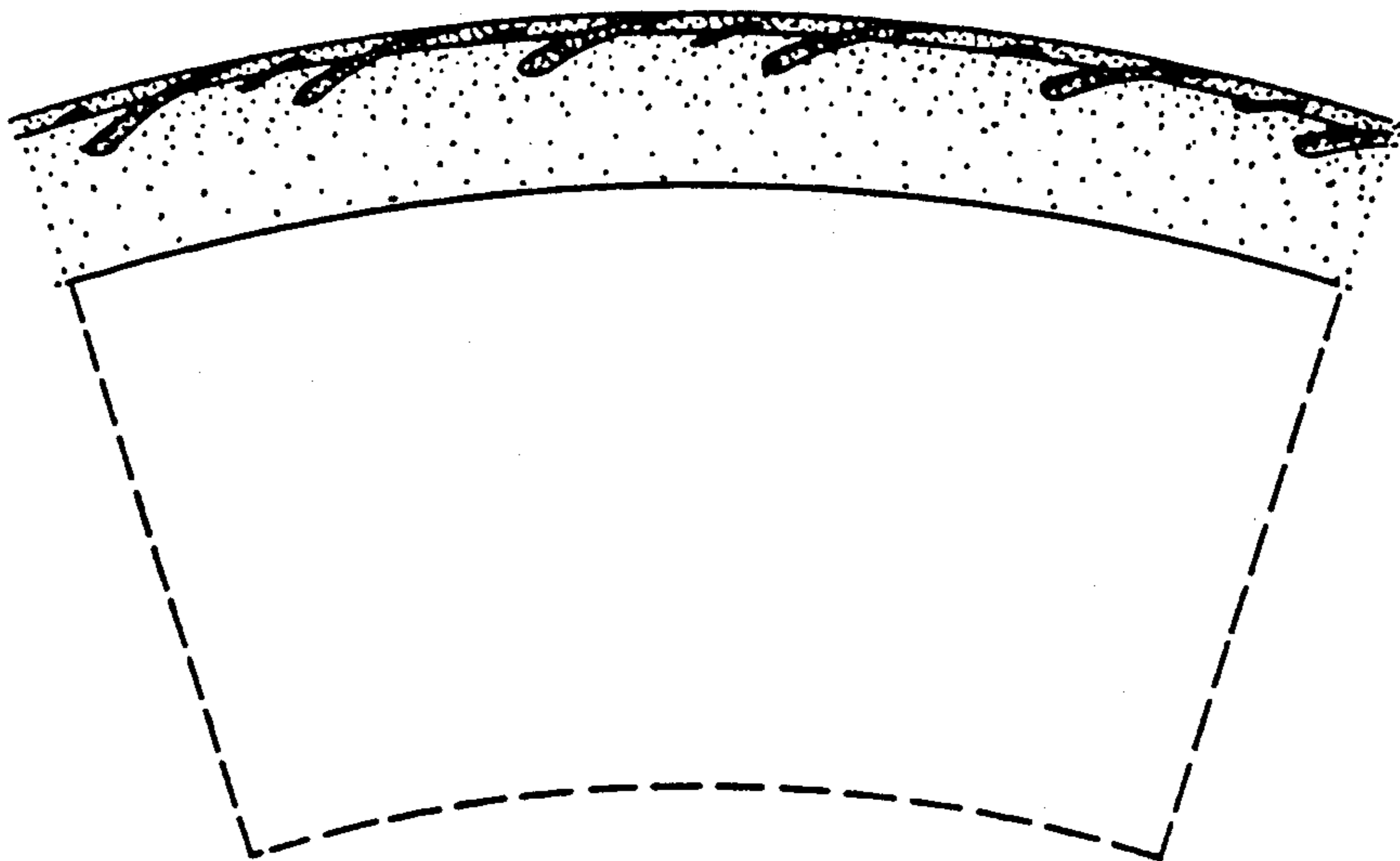


FIG. 5

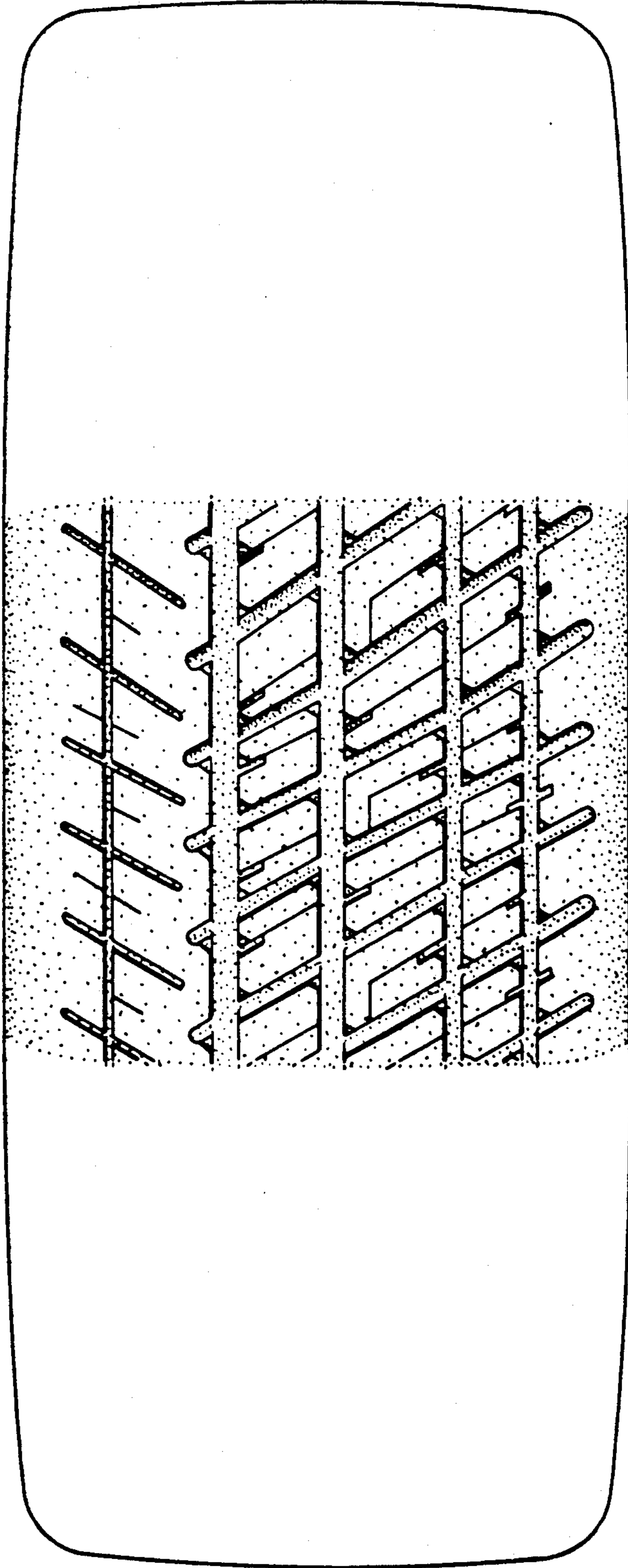


FIG. 6

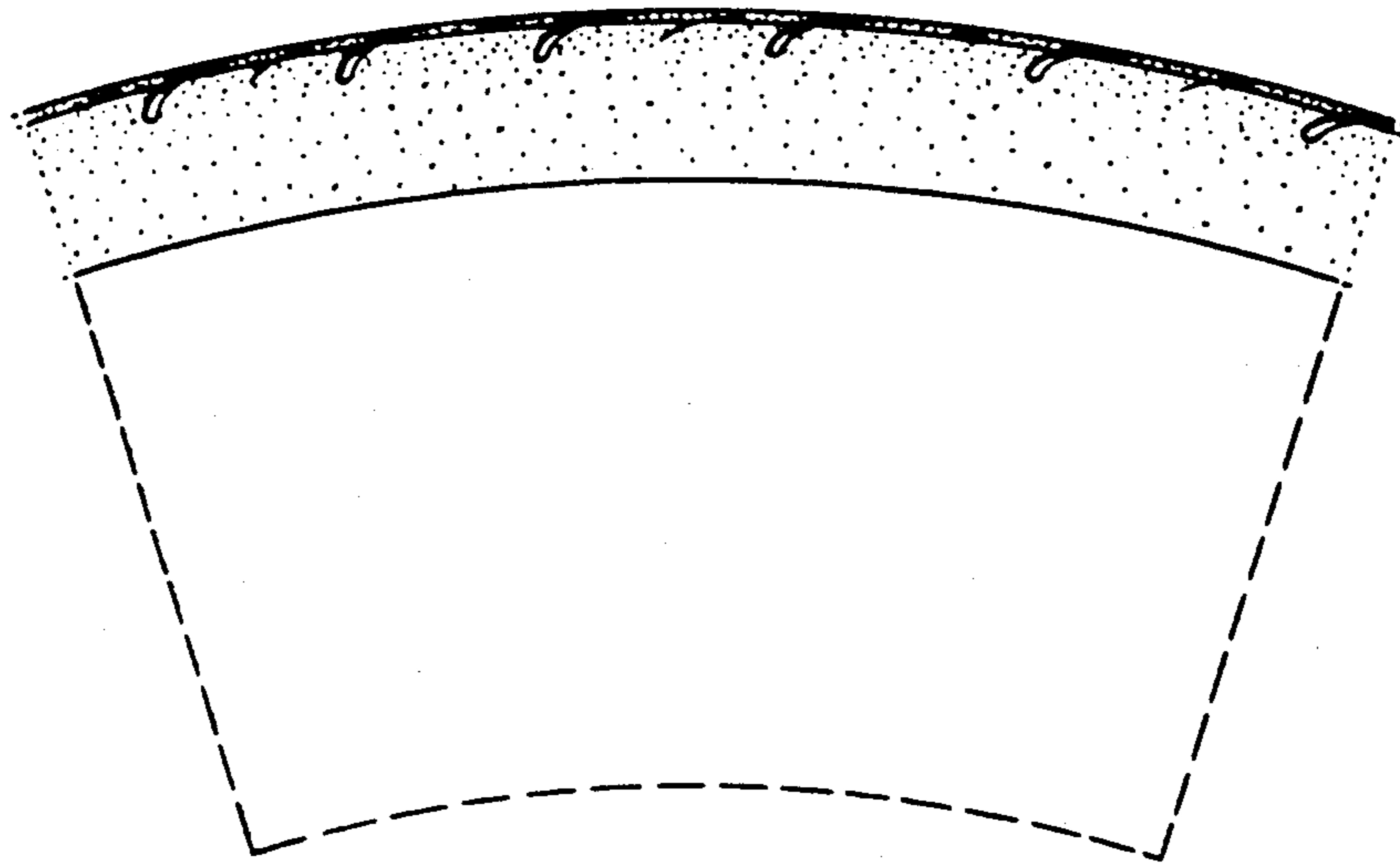


FIG. 7

